

US00D688871S

(12) **United States Design Patent**  
**Lai**

(10) **Patent No.:** **US D688,871 S**

(45) **Date of Patent:** **\*\* Sep. 3, 2013**

(54) **GRIP OF THE HANDLE**

D626,748 S \* 11/2010 Chang ..... D3/318

(76) Inventor: **Chu Shan Lai**, Xinzhuang (TW)

\* cited by examiner

(\*\*) Term: **14 Years**

*Primary Examiner* — Holly Baynham

(21) Appl. No.: **29/432,105**

(74) *Attorney, Agent, or Firm* — Muncy, Geissler, Olds & Lowe, PLLC

(22) Filed: **Sep. 13, 2012**

(57) **CLAIM**

The ornamental design for a grip of the handle, as shown and described.

(51) **LOC (9) Cl.** ..... **03-01**

(52) **U.S. Cl.**  
USPC ..... **D3/318**

**DESCRIPTION**

(58) **Field of Classification Search**  
USPC ..... D3/318, 273, 279, 281–282; 190/18 R,  
190/38–39, 115  
See application file for complete search history.

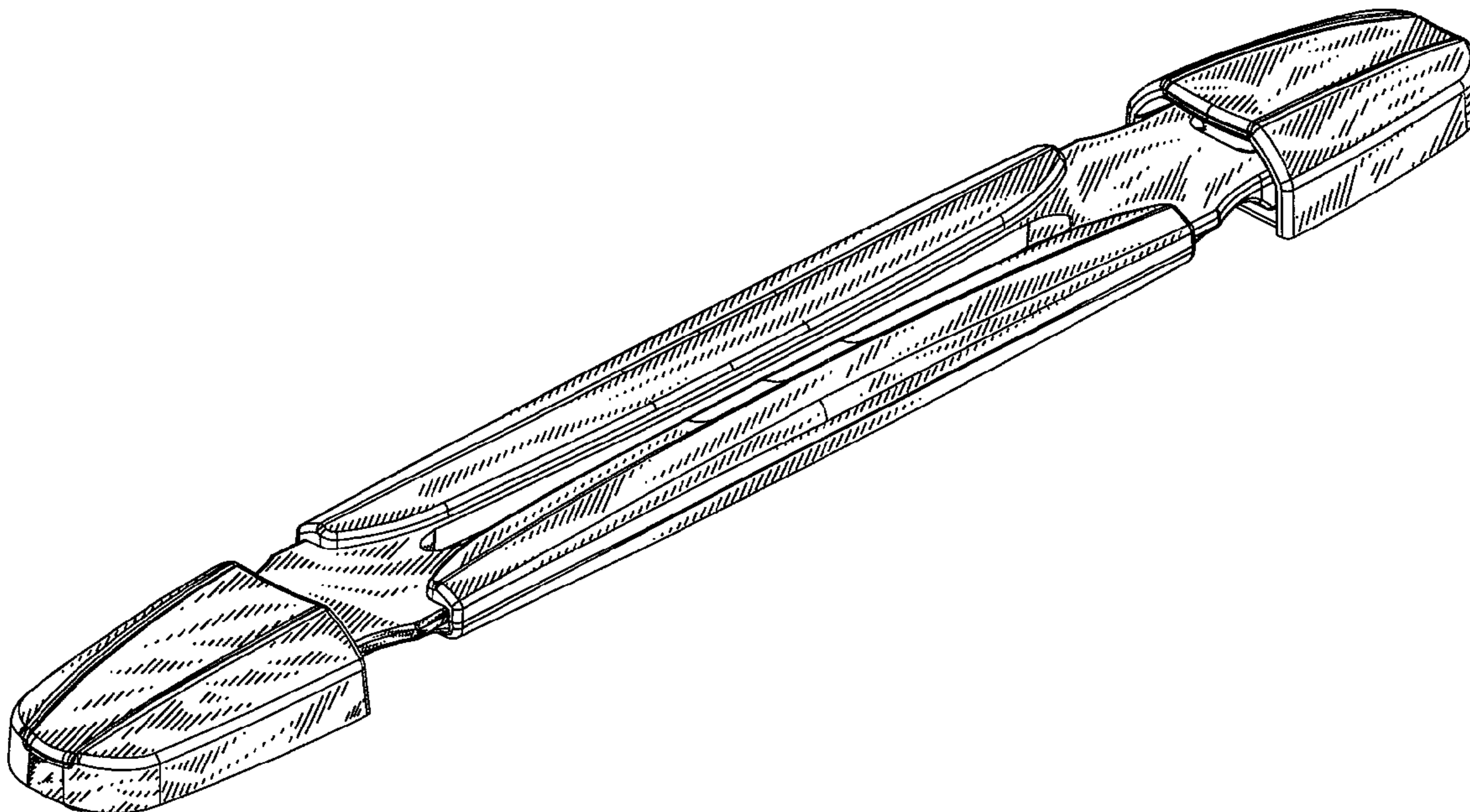
FIG. 1 is a perspective view of a grip of the handle showing the new design;  
FIG. 2 is a front view thereof;  
FIG. 3 is a rear view thereof;  
FIG. 4 is a left side view thereof;  
FIG. 5 is a right side view thereof;  
FIG. 6 is a top view thereof; and,  
FIG. 7 is a bottom view thereof.

(56) **References Cited**

**U.S. PATENT DOCUMENTS**

6,290,040 B1 \* 9/2001 Chen ..... 190/39  
6,609,599 B1 \* 8/2003 Chang ..... 190/115

**1 Claim, 4 Drawing Sheets**



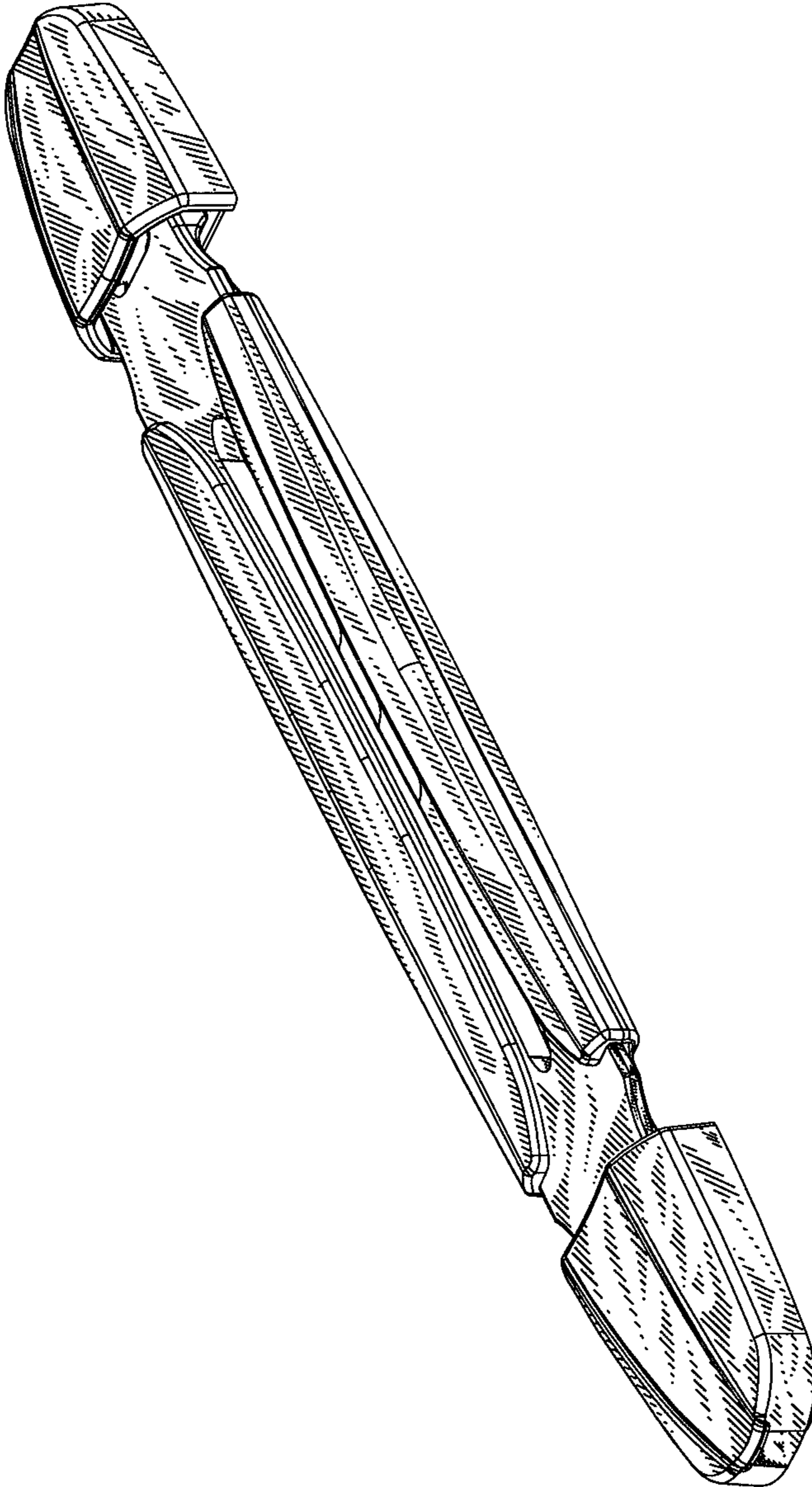


FIG. 1

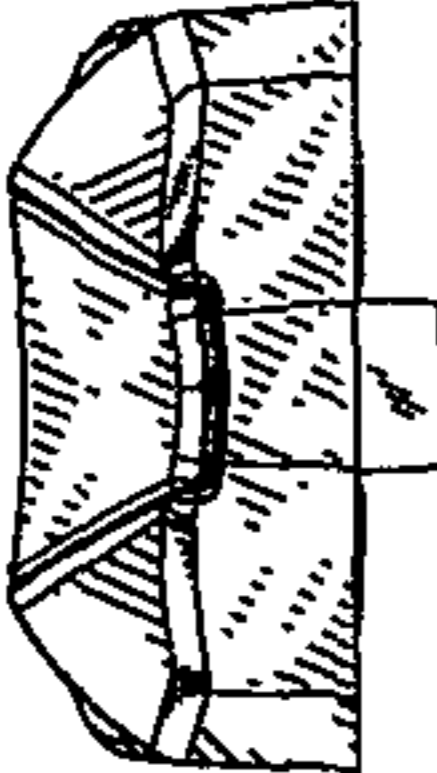


FIG. 2

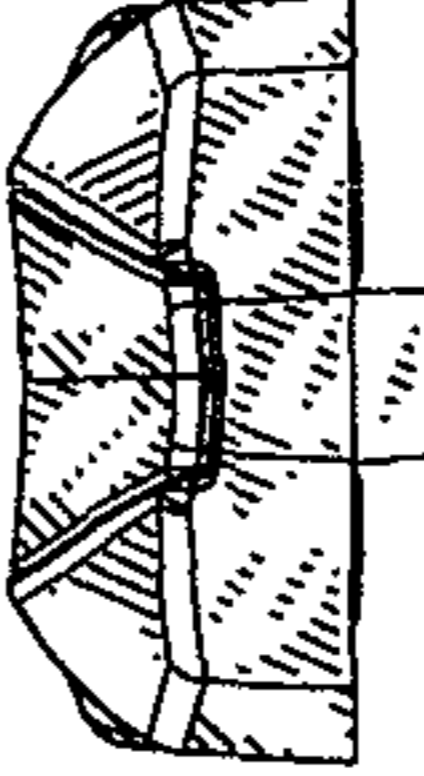


FIG. 3

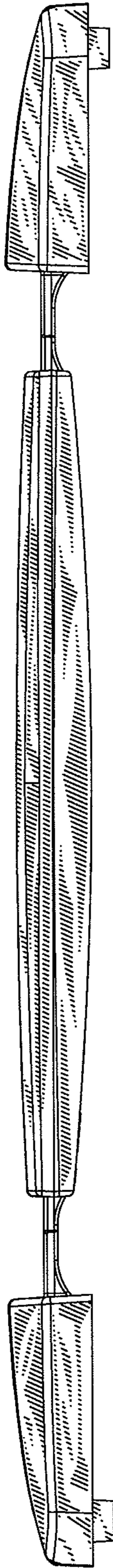


FIG. 4

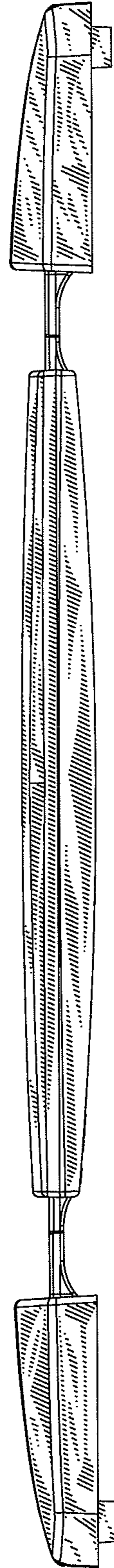


FIG. 5

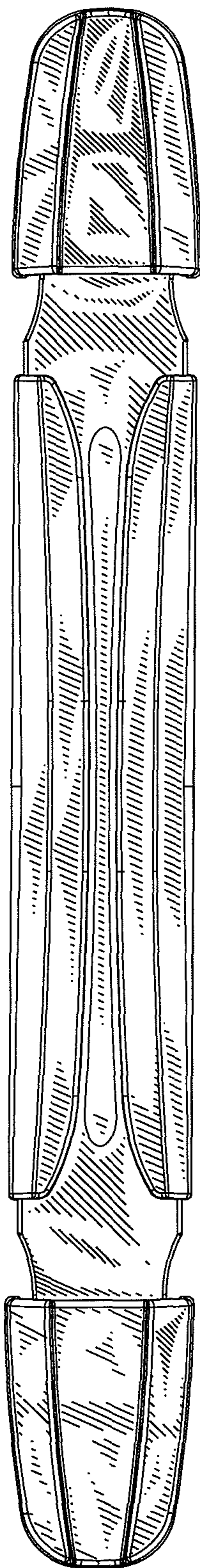


FIG. 6

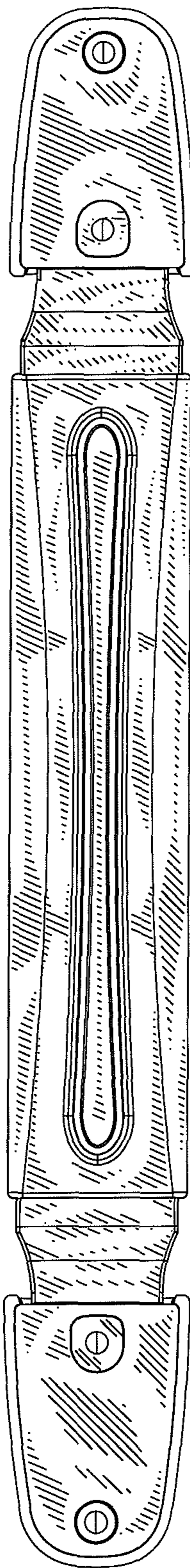


FIG. 7