



US00D688866S

(12) **United States Design Patent**
Lalo et al.

(10) **Patent No.:** **US D688,866 S**
(45) **Date of Patent:** **** Sep. 3, 2013**

- (54) **STORAGE CASE**
- (71) Applicants: **Abraham Lalo**, Hallandale, FL (US);
Eyal Lalo, Hallandale, FL (US)
- (72) Inventors: **Abraham Lalo**, Hallandale, FL (US);
Eyal Lalo, Hallandale, FL (US)
- (73) Assignee: **Invicta Watch Company of America, Inc.**, Hollywood, FL (US)
- (**) Term: **14 Years**
- (21) Appl. No.: **29/447,213**
- (22) Filed: **Mar. 1, 2013**
- (51) **LOC (9) Cl.** **03-01**
- (52) **U.S. Cl.**
USPC **D3/272; D3/276; D3/294**
- (58) **Field of Classification Search**
USPC D3/273, 274, 276, 280–284, 286,
D3/288, 291, 292, 294–295, 905; 206/349,
206/372–379, 803, 503–512; 220/523, 527;
190/115–118
See application file for complete search history.

D439,048 S *	3/2001	Sanderson	D3/302
D440,042 S *	4/2001	Holahan	D3/272
D574,150 S *	8/2008	Ross	D3/279
D578,759 S *	10/2008	Grenier et al.	D3/294
D580,169 S *	11/2008	Gibson	D3/272
D580,170 S *	11/2008	Klotzman et al.	D3/272
D634,930 S *	3/2011	Lalo	D3/276
D635,361 S *	4/2011	Lalo	D3/276
2008/0307835 A1 *	12/2008	Grenier et al.	70/69

* cited by examiner

Primary Examiner — Jennifer Rivard

(74) *Attorney, Agent, or Firm* — Howard Natter; Natter & Natter

(57) **CLAIM**

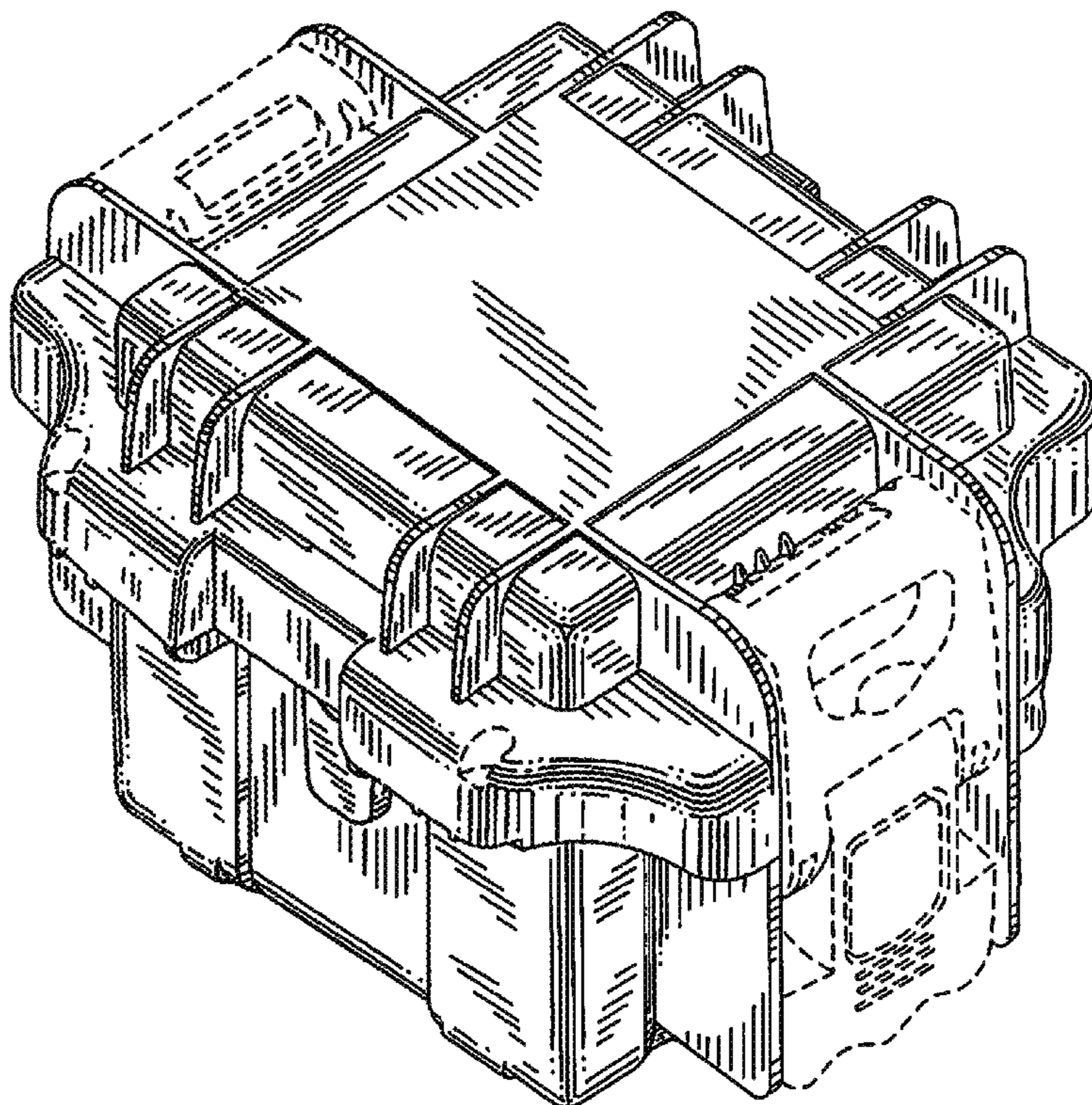
The ornamental design for a storage case, as shown and described.

DESCRIPTION

FIG. 1 is a top front right side perspective view of a storage case showing my new design;
 FIG. 2 is a top plan view thereof;
 FIG. 3 is a front elevational view thereof;
 FIG. 4 is a left side elevational view thereof;
 FIG. 5 is a rear elevational view thereof; and,
 FIG. 6 is a bottom plan view thereof.
 The right side elevational view is a mirror image of the left side elevational view.
 The broken-lines in the drawings are used to show portions of the storage case that do not form part of the claimed design.

1 Claim, 6 Drawing Sheets

- (56) **References Cited**
U.S. PATENT DOCUMENTS
D342,609 S * 12/1993 Brightbill D3/294
D430,395 S * 9/2000 Holahan D3/272



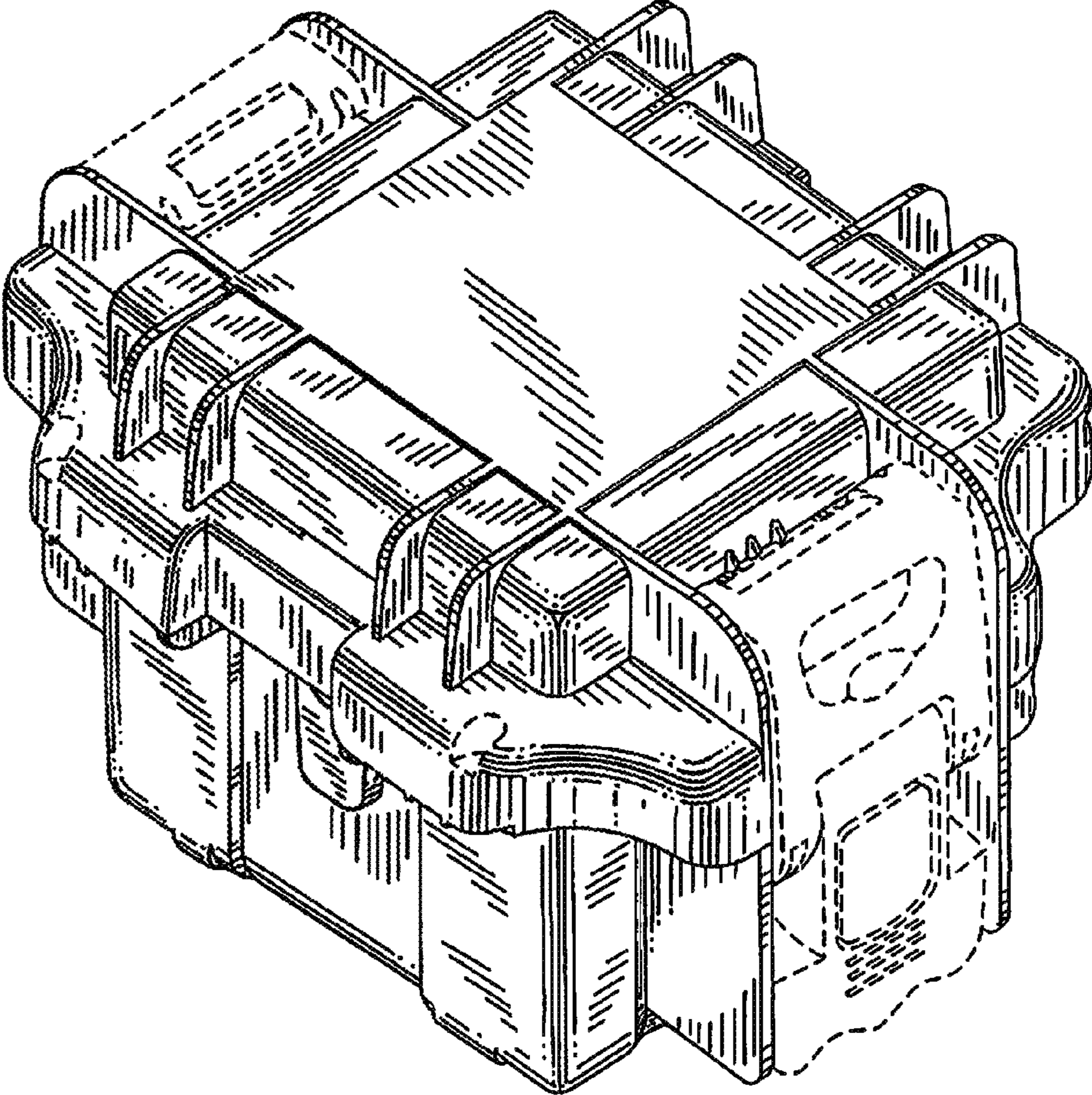


FIG. 1

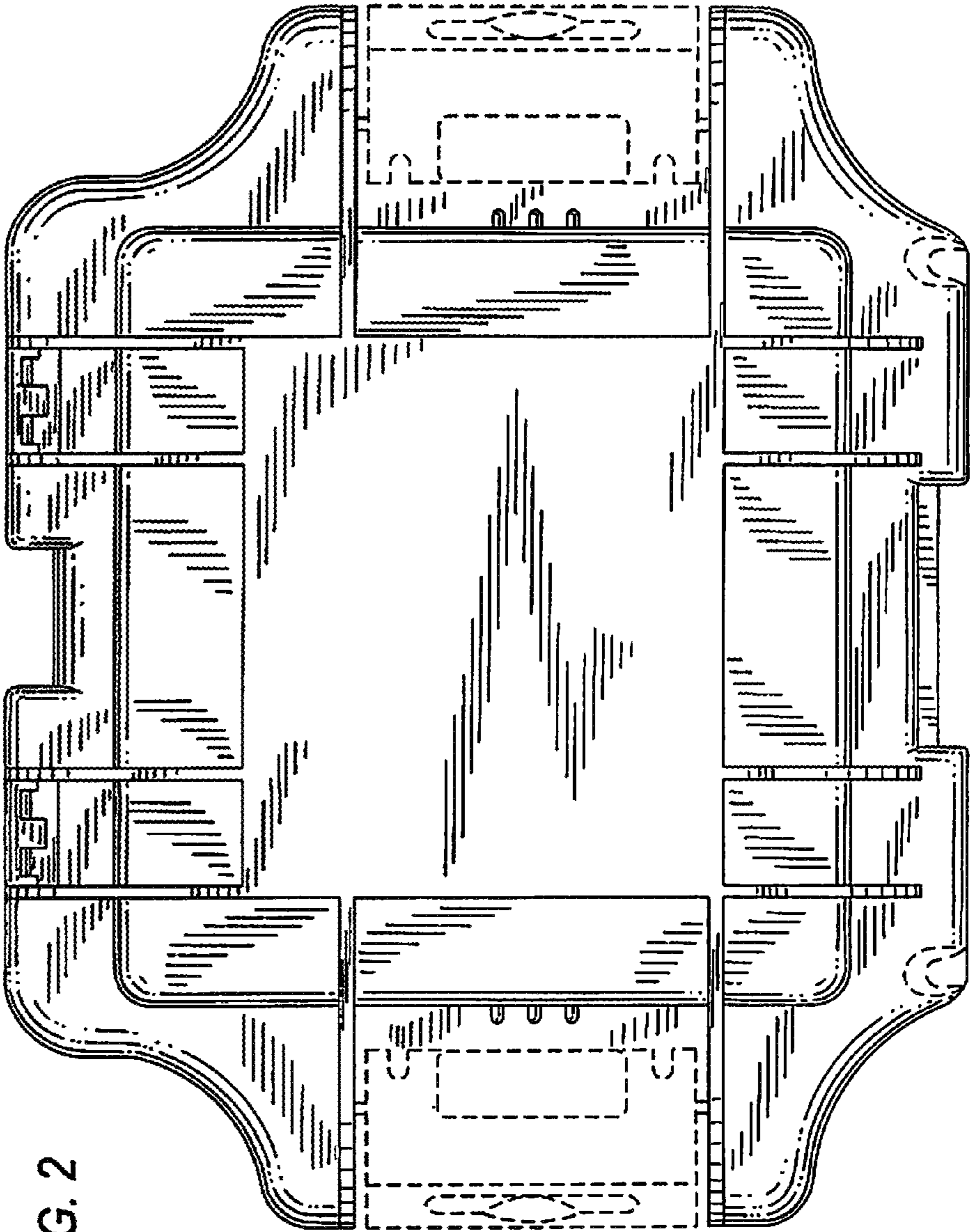


FIG. 2

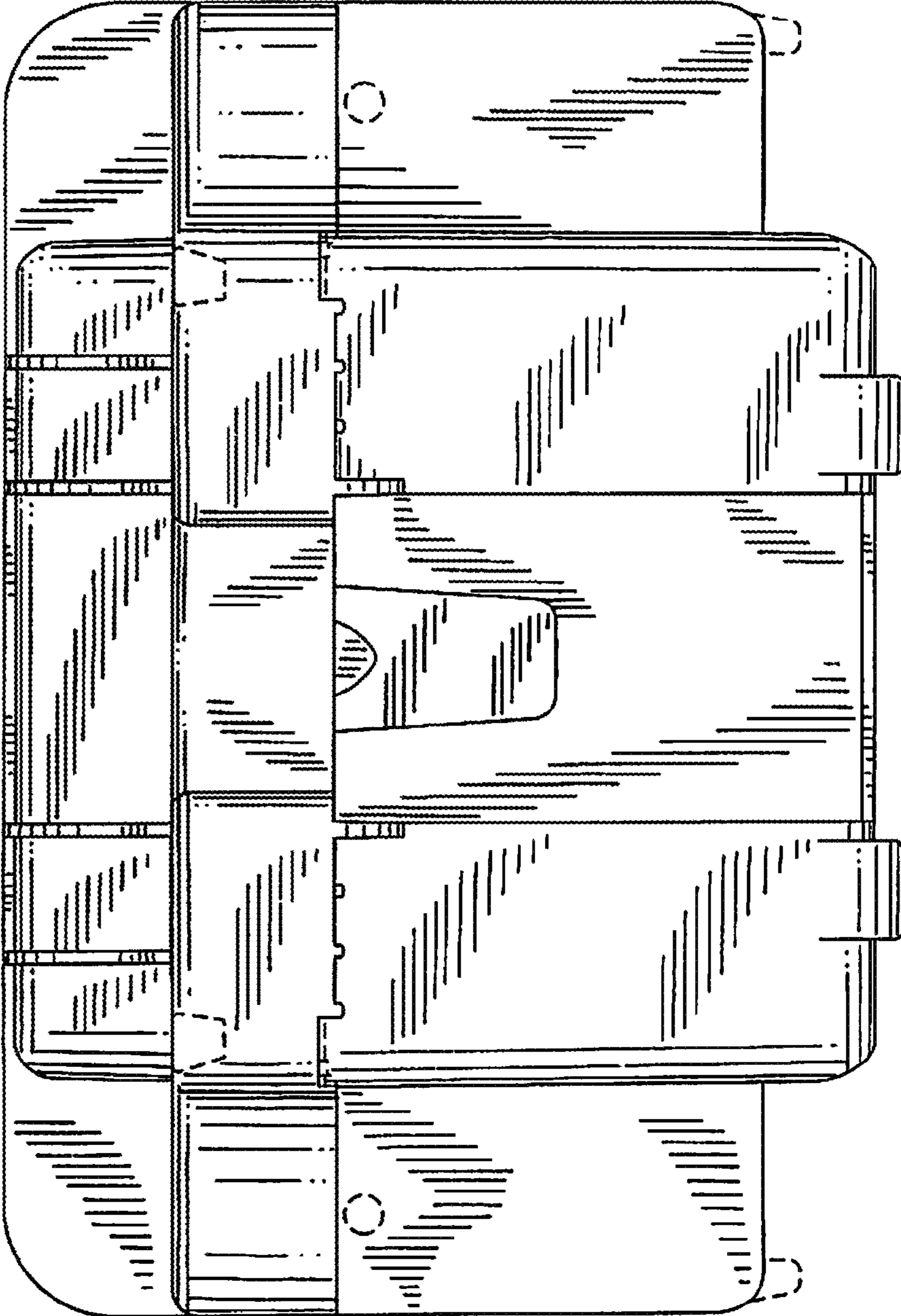


FIG. 3

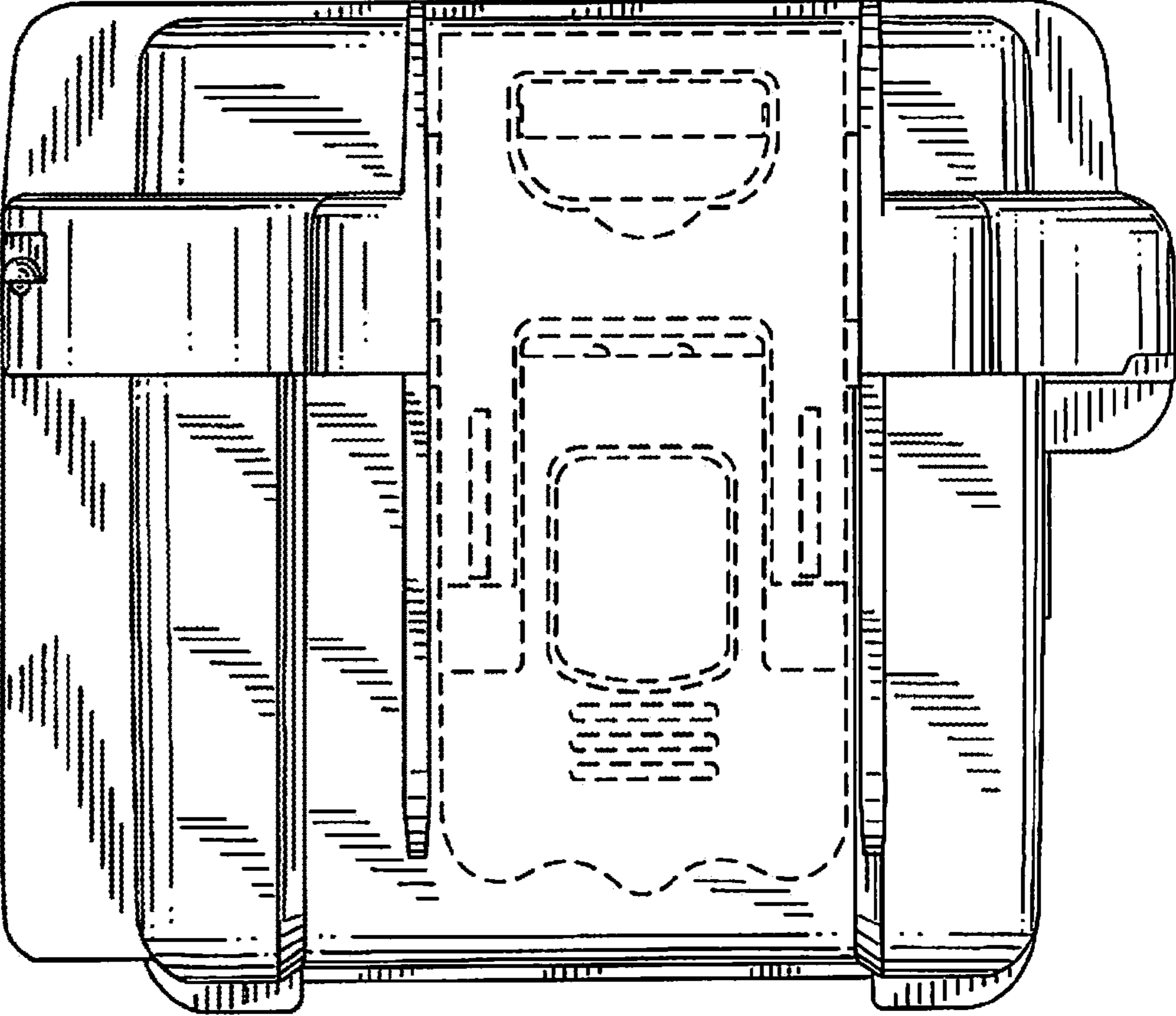


FIG. 4

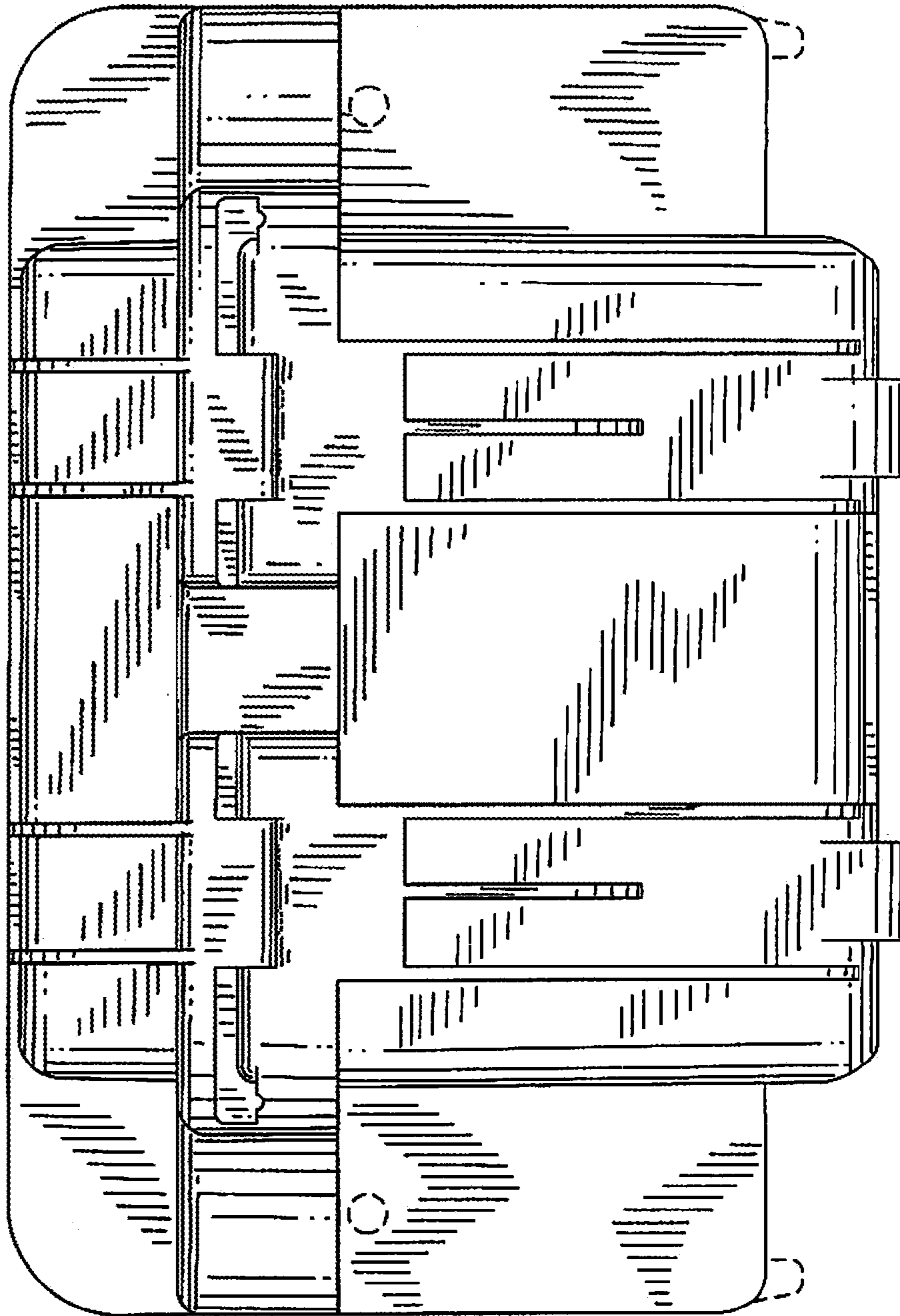


FIG. 5

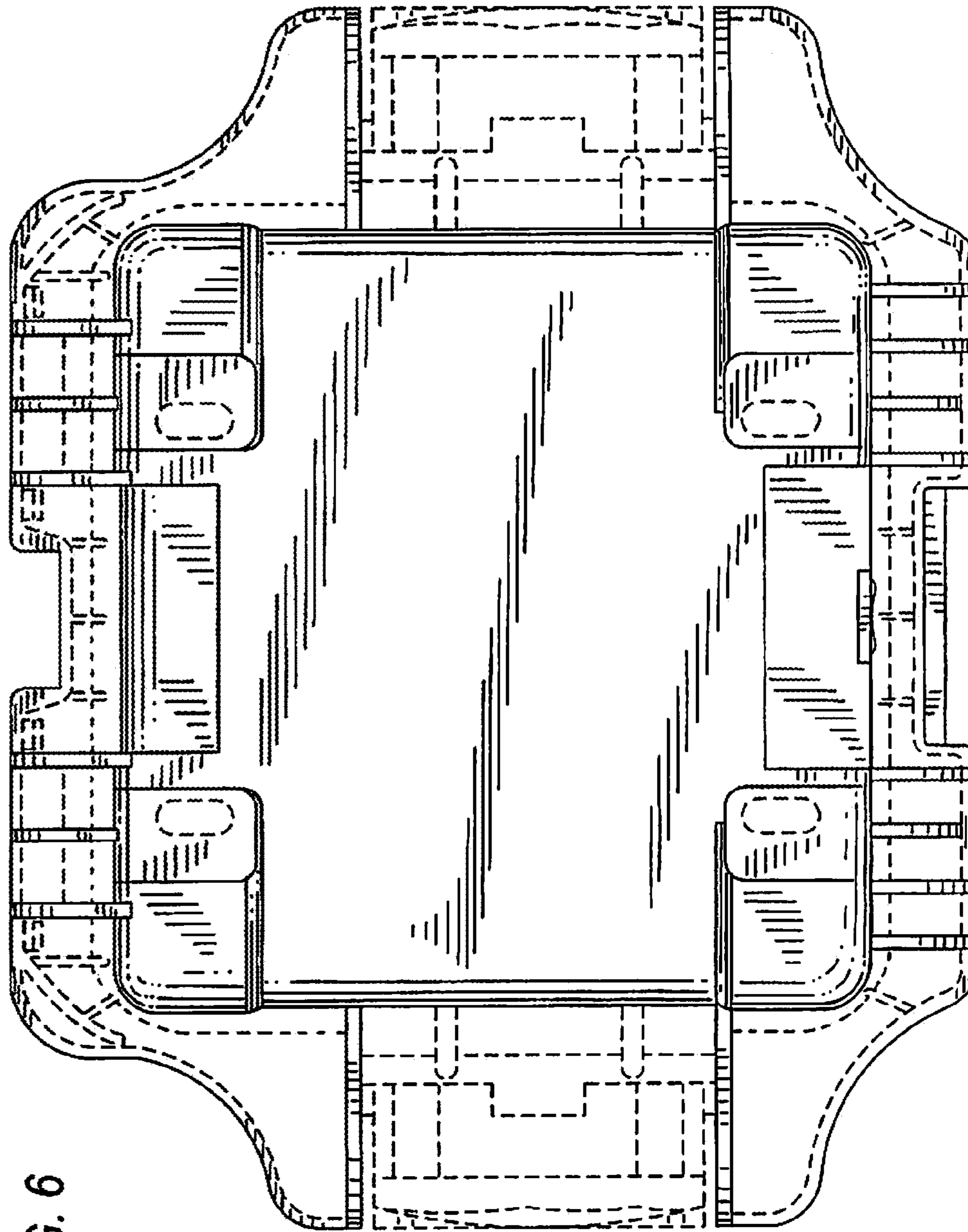


FIG. 6