



US00D688865S

(12) **United States Design Patent**  
**Tsai**

(10) **Patent No.:** **US D688,865 S**  
(45) **Date of Patent:** **\*\* Sep. 3, 2013**

(54) **RETRACTABLE CARD HOLDER WITH  
RETRACTABLE CORD**

(76) Inventor: **Hai Pin Tsai**, Kowloon (HK)

(\*\*) Term: **14 Years**

(21) Appl. No.: **29/419,007**

(22) Filed: **Apr. 24, 2012**

(30) **Foreign Application Priority Data**

Nov. 14, 2011 (CN) ..... 2011 3 0417674  
Nov. 14, 2011 (CN) ..... 2011 3 0502273

(51) **LOC (9) Cl.** ..... **03-01**

(52) **U.S. Cl.**  
USPC ..... **D3/249**

(58) **Field of Classification Search**  
USPC ..... D3/247, 249–253; 150/130, 132,  
150/136–138, 147  
See application file for complete search history.

(56) **References Cited**

**U.S. PATENT DOCUMENTS**

D158,860 S \* 6/1950 Jardine ..... D3/227  
D168,398 S \* 12/1952 Gazan, Jr. .... D3/247  
D189,333 S \* 11/1960 Hayden ..... D3/247

\* cited by examiner

*Primary Examiner* — Holly Baynham  
(74) *Attorney, Agent, or Firm* — Garcia-Zamor IP Law; Ruy M. Garcia-Zamor

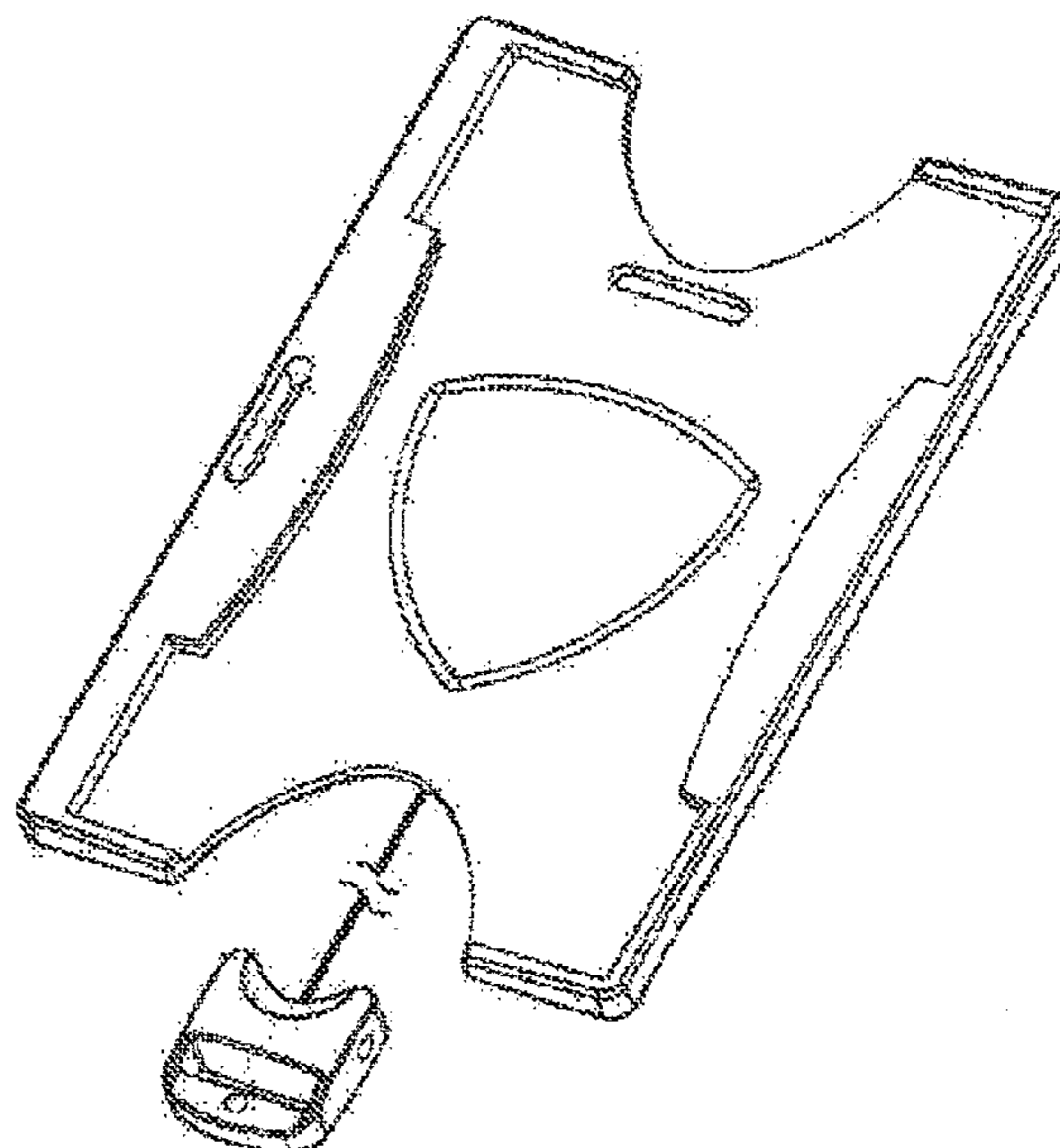
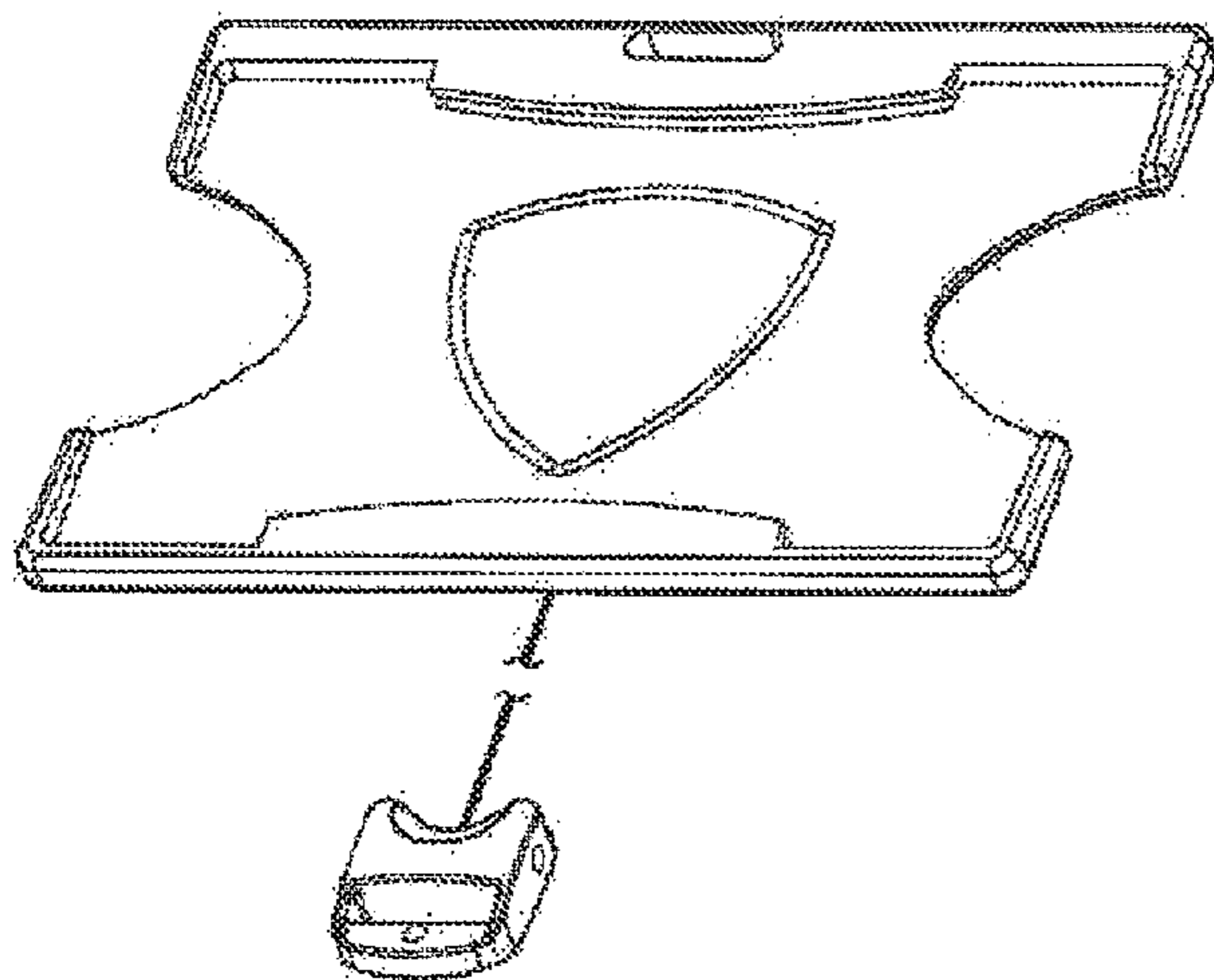
(57) **CLAIM**

I claim a new ornamental design for a retractable card holder with retractable cord, as shown and described.

**DESCRIPTION**

FIG. 1 is a front elevational view of a retractable card holder with retractable cord according to a first preferred embodiment of my new design;  
FIG. 2 is a rear elevational view of the retractable card holder with retractable cord of FIG. 1;  
FIG. 3 is a left side elevational view of the retractable card holder with retractable cord of FIG. 1;  
FIG. 4 is a right side elevational view of the retractable card holder with retractable cord of FIG. 1;  
FIG. 5 is a bottom plan view of the retractable card holder with retractable cord of FIG. 1;  
FIG. 6 is a top plan view of the retractable card holder with retractable cord of FIG. 1;  
FIG. 7 is a perspective view of the retractable card holder with retractable cord of FIG. 1;  
FIG. 8 is a second perspective view of the retractable card holder with retractable cord of FIG. 1 in an alternate configuration;  
FIG. 9 is a front view of the second embodiment of the tote bag shown in FIG. 1,  
FIG. 10 is a rear elevational view thereof;  
FIG. 11 is a left side elevational view thereof;  
FIG. 12 is a right-side elevational view thereof;  
FIG. 13 is a bottom plan view thereof;  
FIG. 14 is a top plan view thereof;  
FIG. 15 is a perspective view thereof; and,  
FIG. 16 is a second perspective view thereof.

**1 Claim, 16 Drawing Sheets**



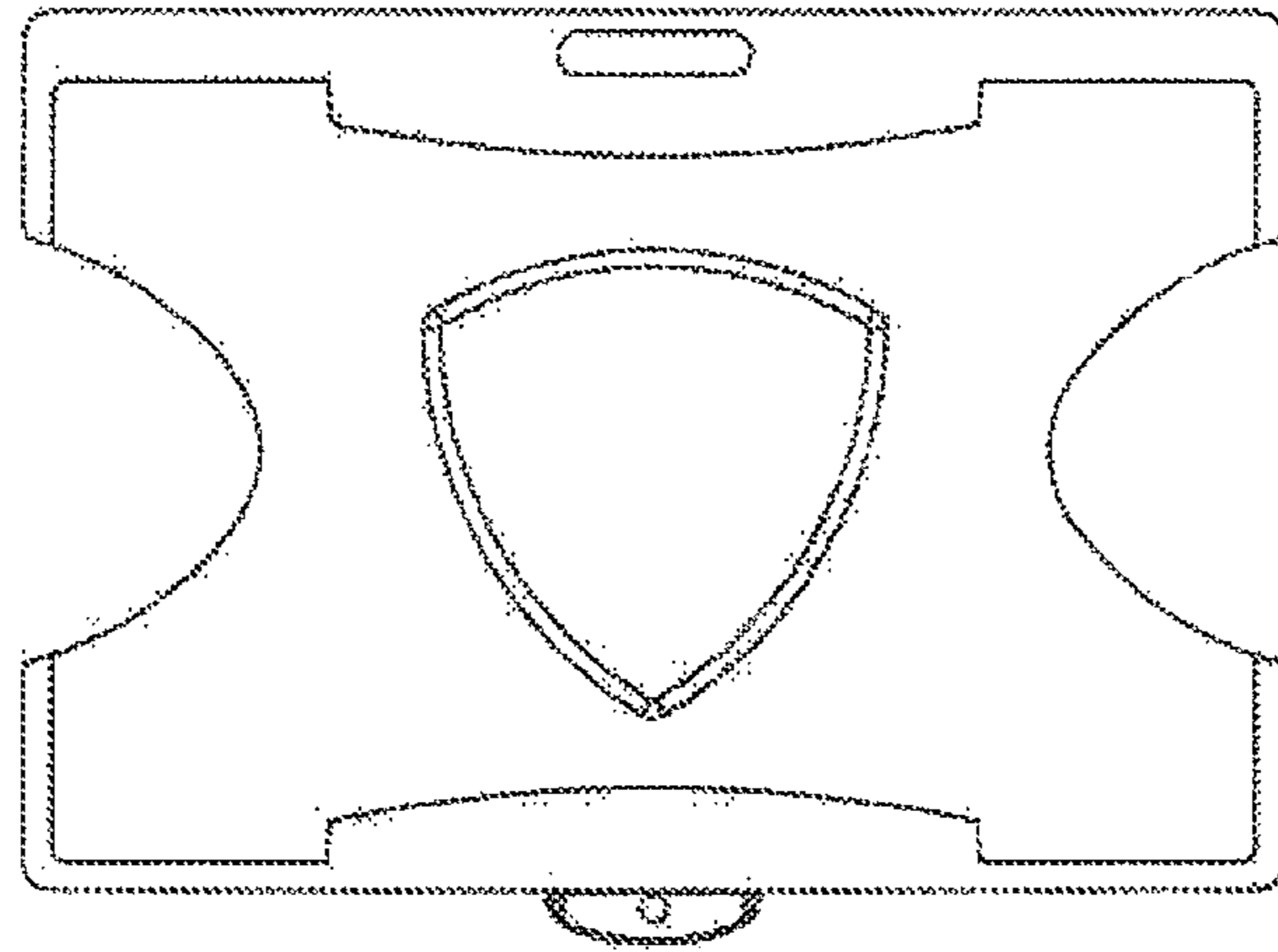


Fig.1

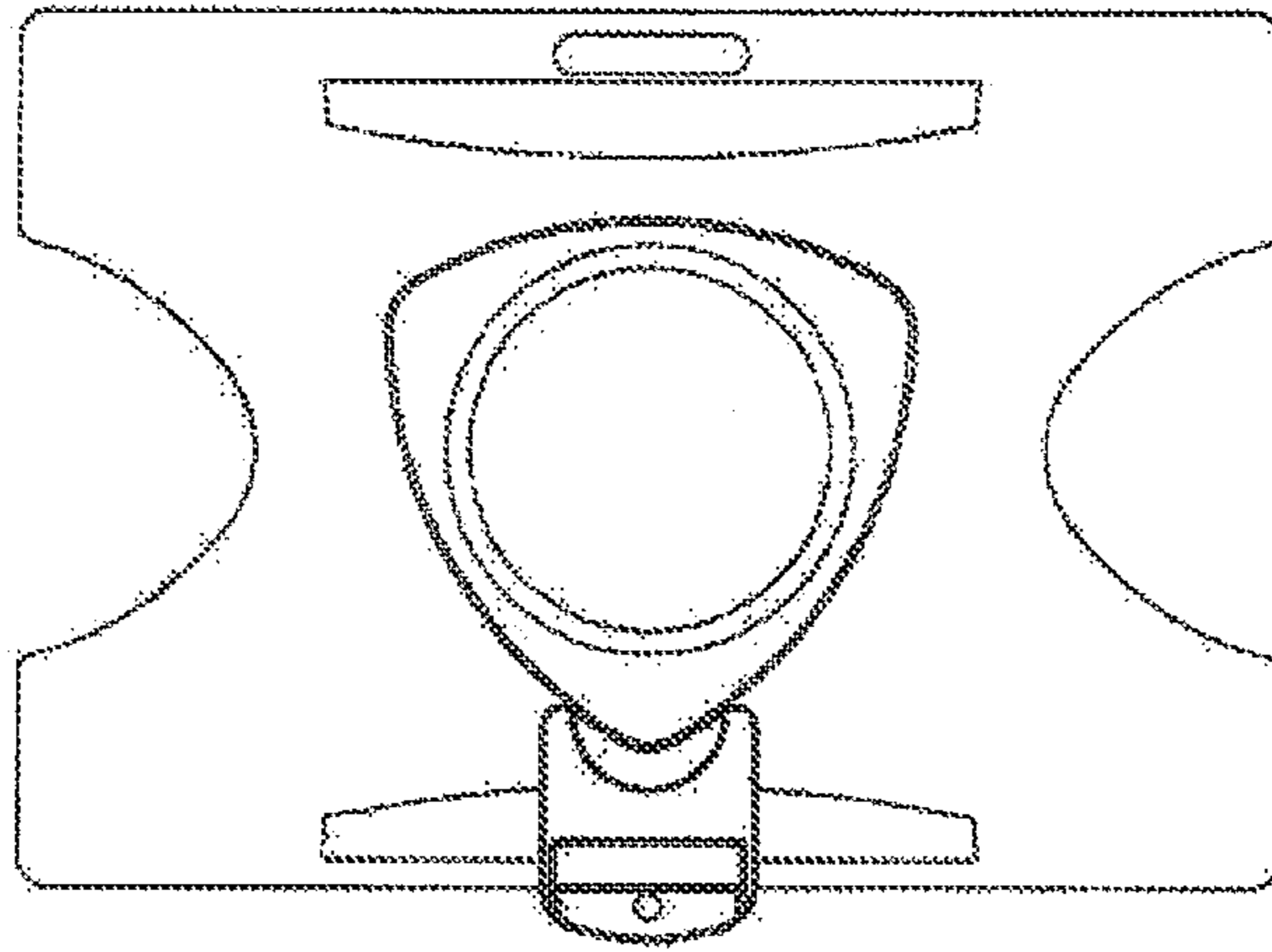


Fig.2

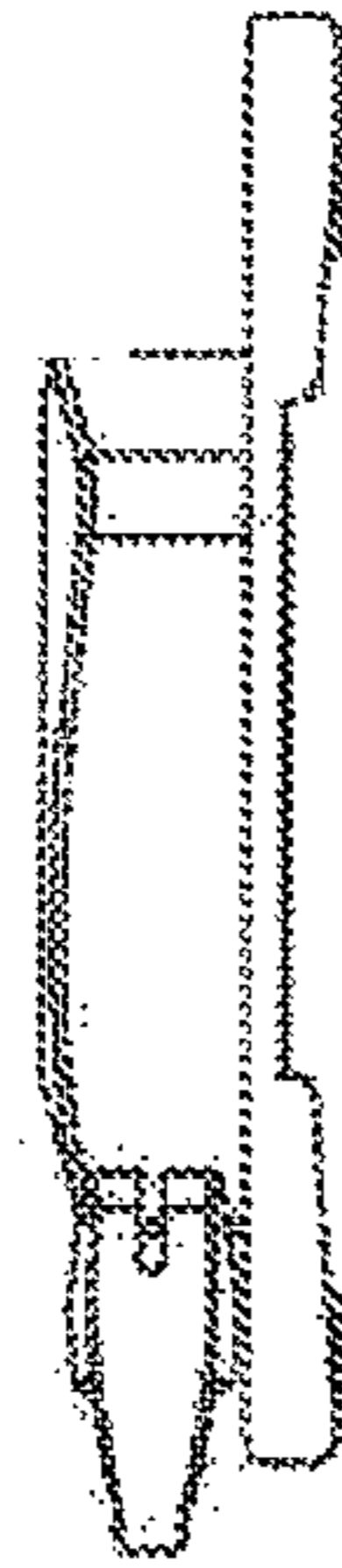


Fig.3

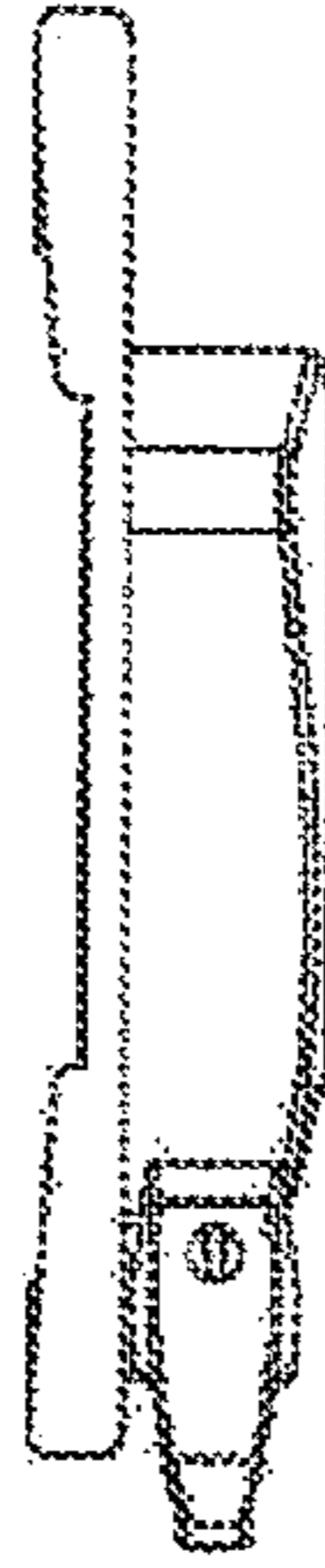


Fig.4

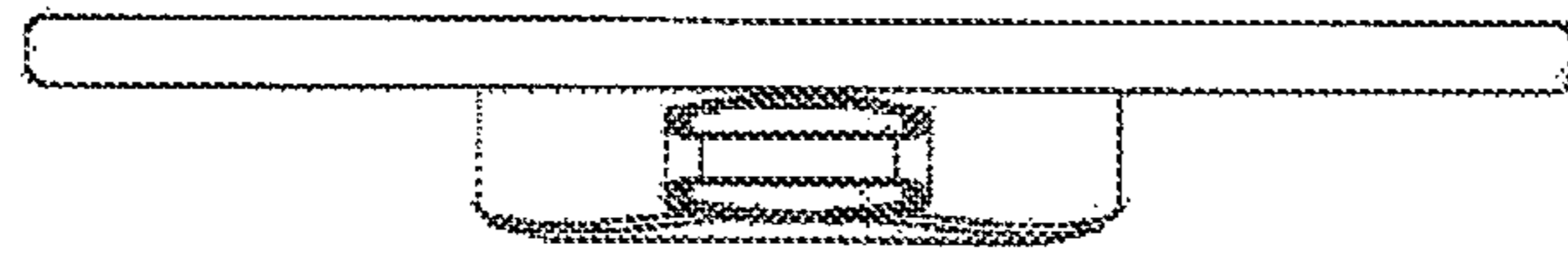


Fig.5

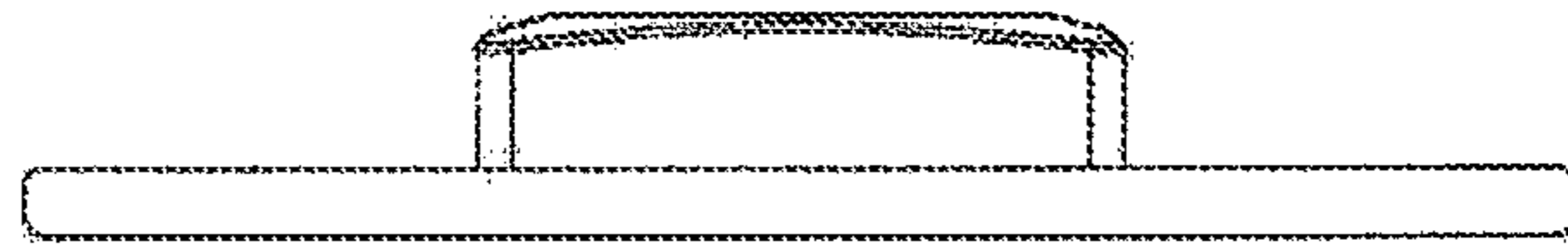


Fig.6

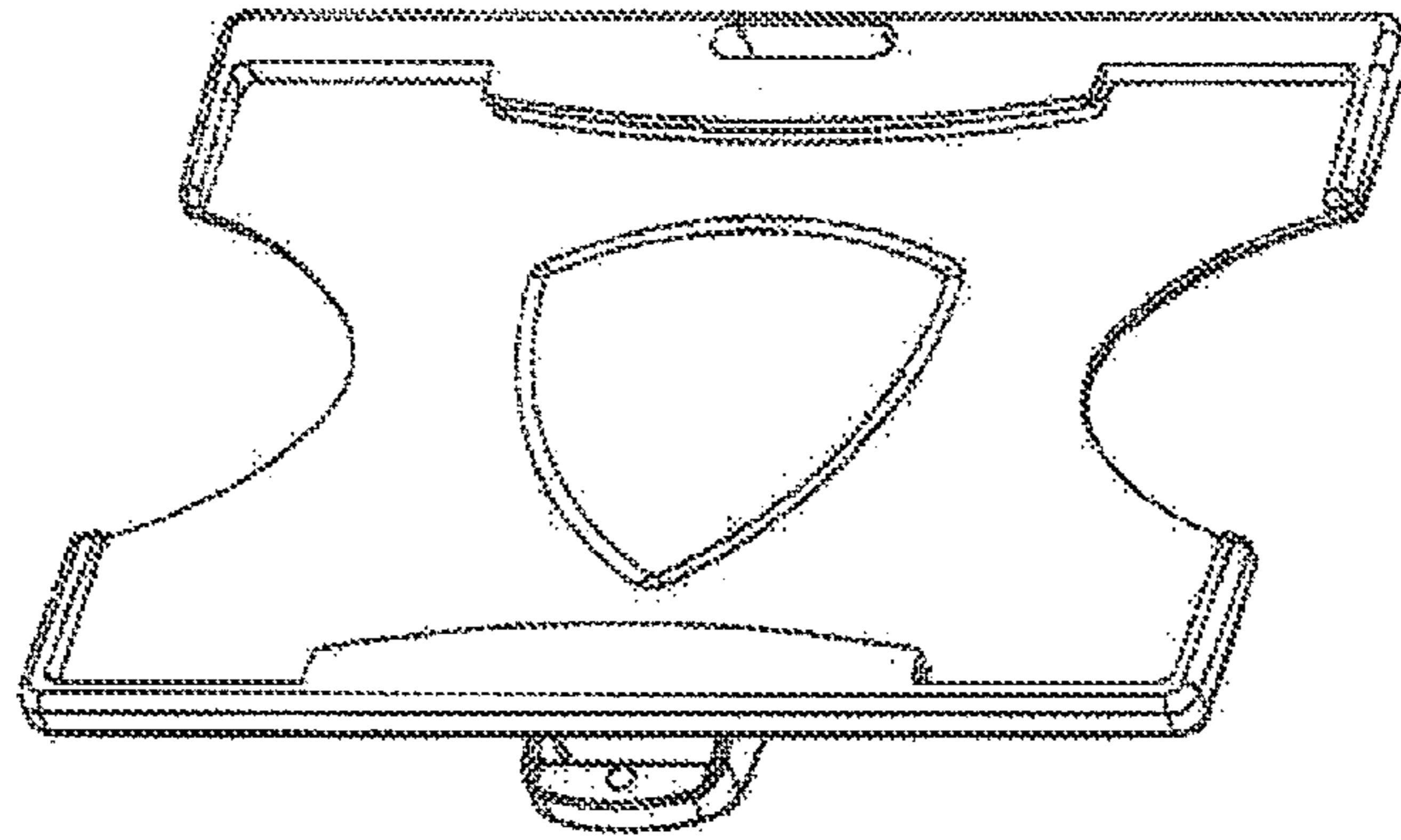


Fig. 7



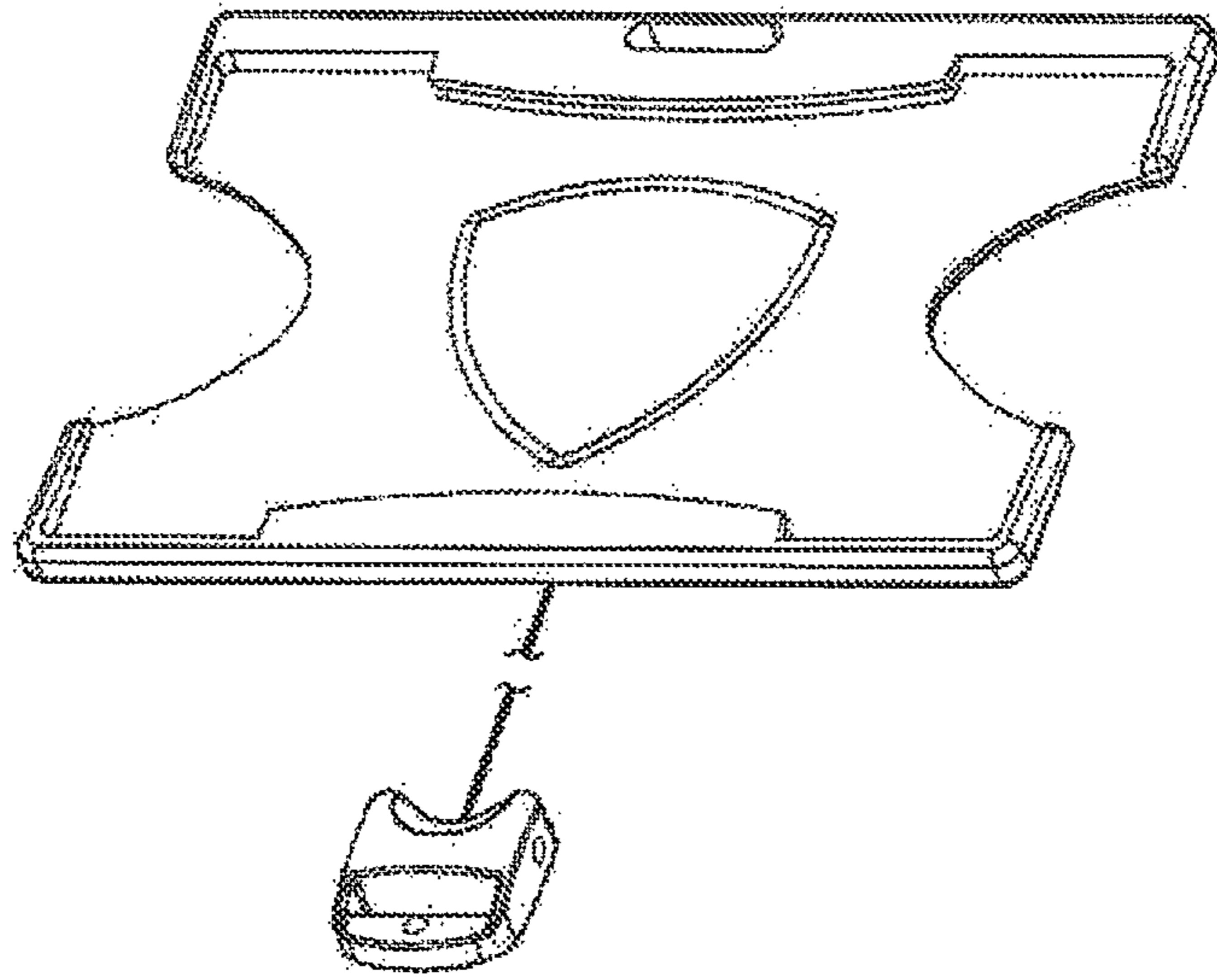
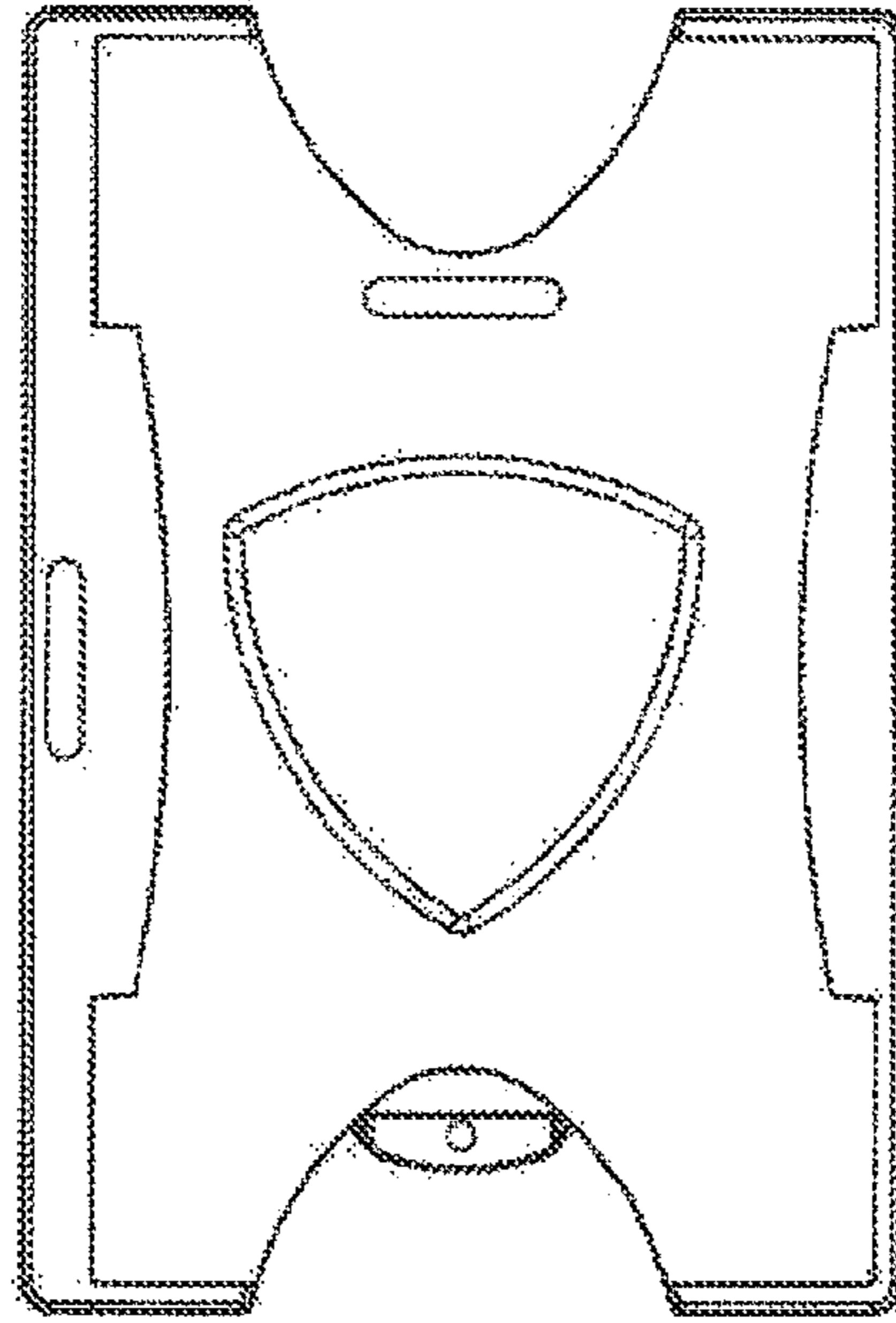
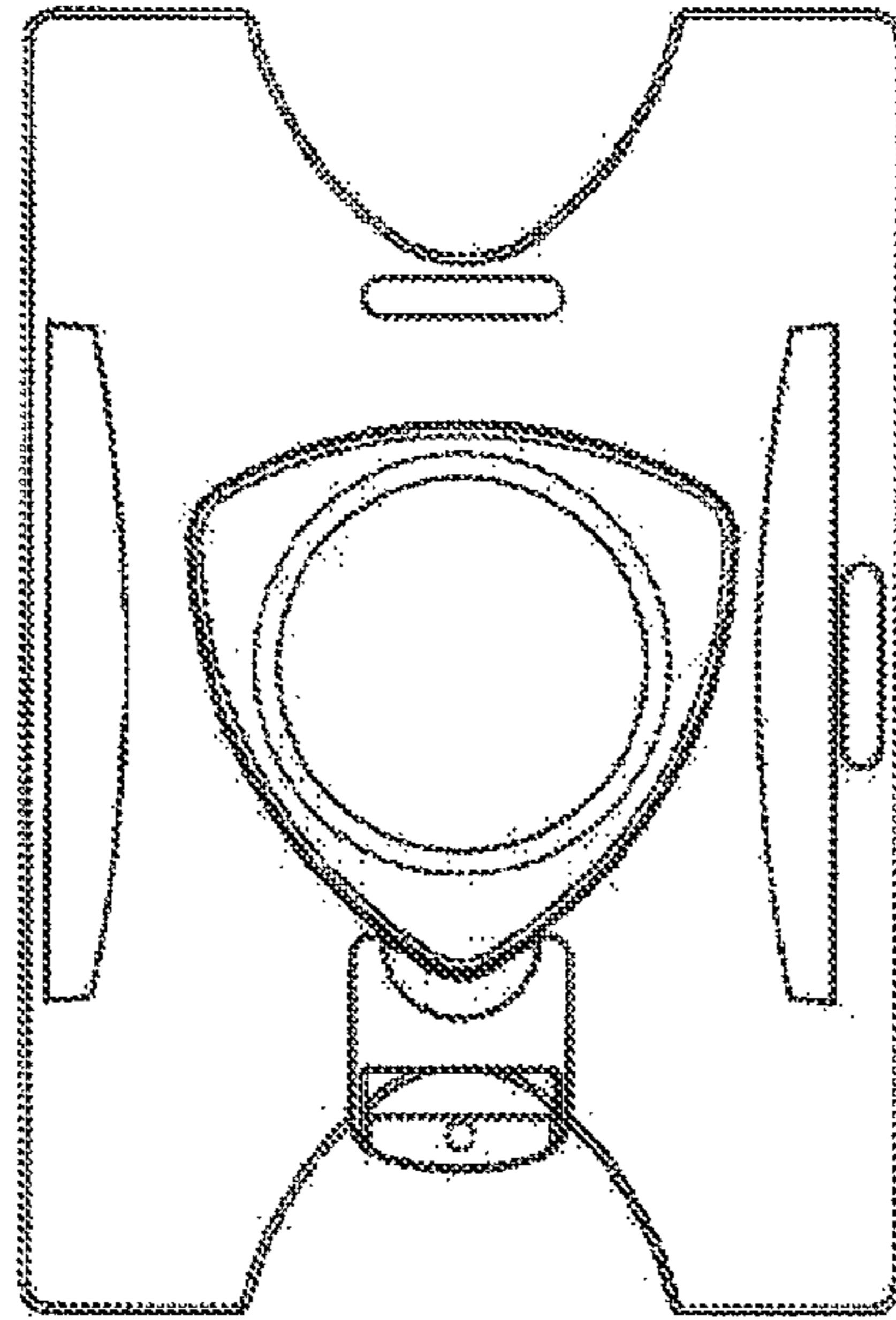


Fig.8



**Fig. 9**



**Fig.10**

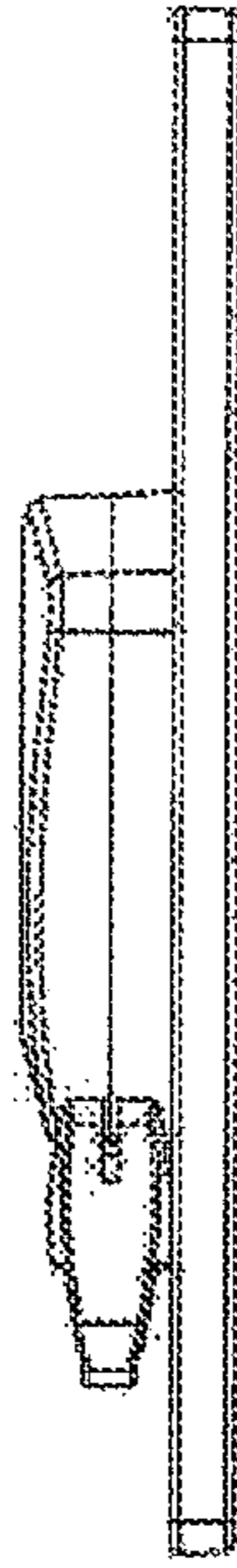
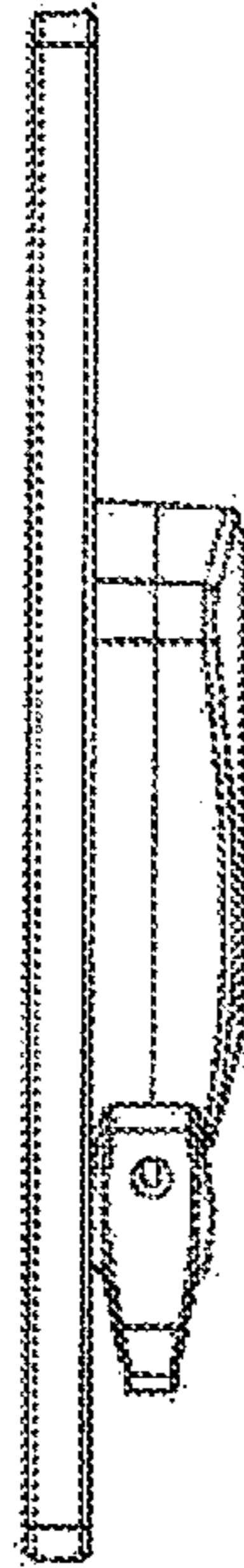


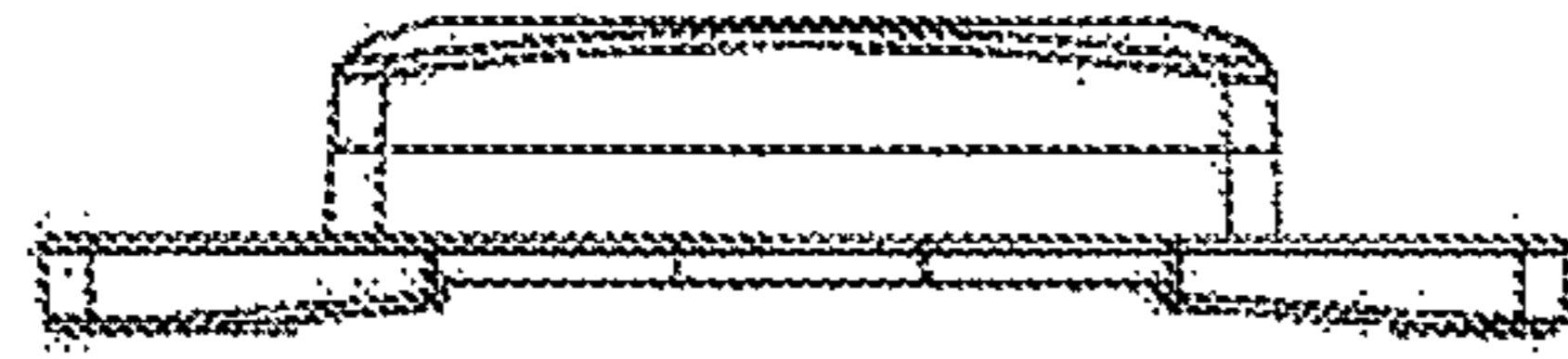
Fig. 11



**Fig.12**



Fig.13



**Fig.14**

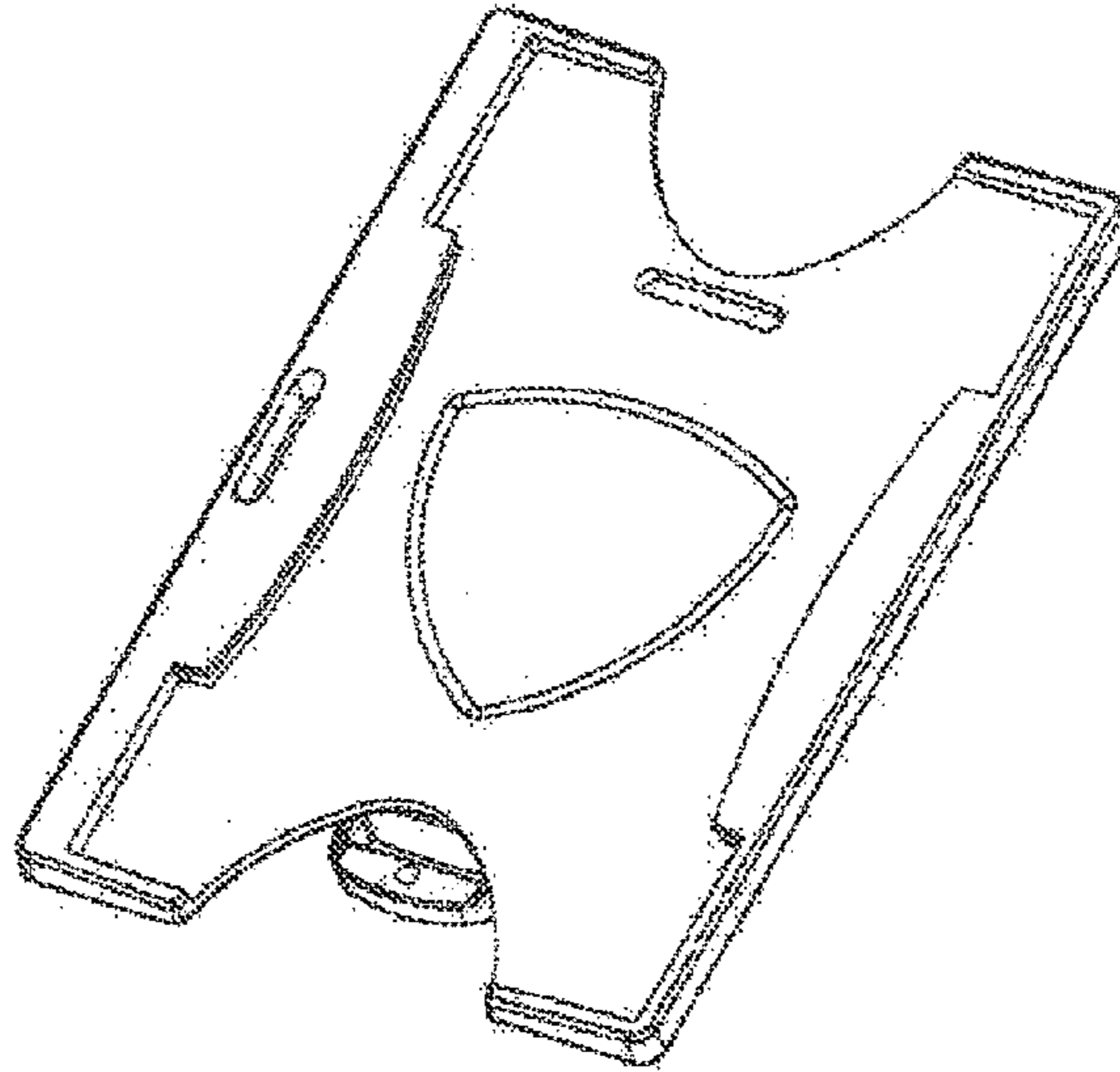
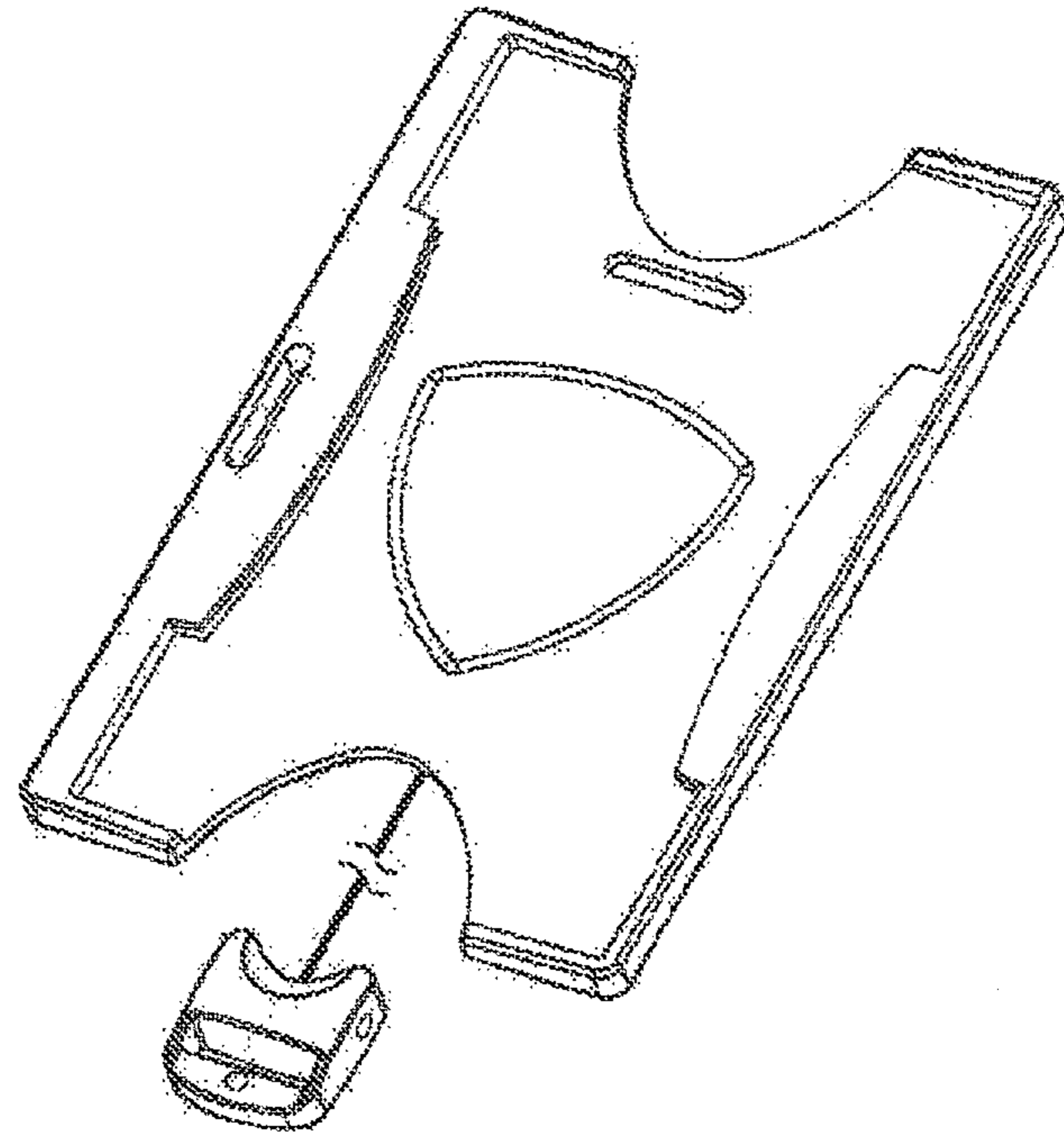


Fig.15





**Fig.16**