



US00D688858S

(12) **United States Design Patent**
Bonkowski

(10) **Patent No.:** **US D688,858 S**

(45) **Date of Patent:** **** Sep. 3, 2013**

(54) **DECORATIVE FEATURES FOR A SHOE**

(75) Inventor: **Jean Elizabeth Bonkowski**, Florissant,
MO (US)

(73) Assignee: **Elan-Polo, Inc.**, St. Louis, MO (US)

(**) Term: **14 Years**

(21) Appl. No.: **29/408,501**

(22) Filed: **Dec. 13, 2011**

(51) **LOC (9) Cl.** **02-99**

(52) **U.S. Cl.**
USPC **D2/972**

(58) **Field of Classification Search**
USPC D2/896, 902, 906-908, 923, 943-945,
D2/947, 951, 969, 970, 972-975; 36/45-49,
36/50.1, 54, 77 M, 77 R, 83, 88, 113, 114,
36/126-131

See application file for complete search history.

(56) **References Cited**

U.S. PATENT DOCUMENTS

3,583,081 A * 6/1971 Hayashi 36/45
D232,200 S * 7/1974 Inohara D2/906

3,849,915 A * 11/1974 Inohara 36/45
D240,371 S * 7/1976 Shelly D2/907
D296,610 S * 7/1988 Brown et al. D2/969
D299,182 S * 1/1989 Brown D2/969
D301,388 S * 6/1989 Miller et al. D2/969
D312,722 S * 12/1990 Miller et al. D2/970
D551,839 S * 10/2007 Bertholon D2/972
D636,574 S * 4/2011 Raysse D2/969

* cited by examiner

Primary Examiner — Dominic Simone

(74) *Attorney, Agent, or Firm* — Dority & Manning, P.A.

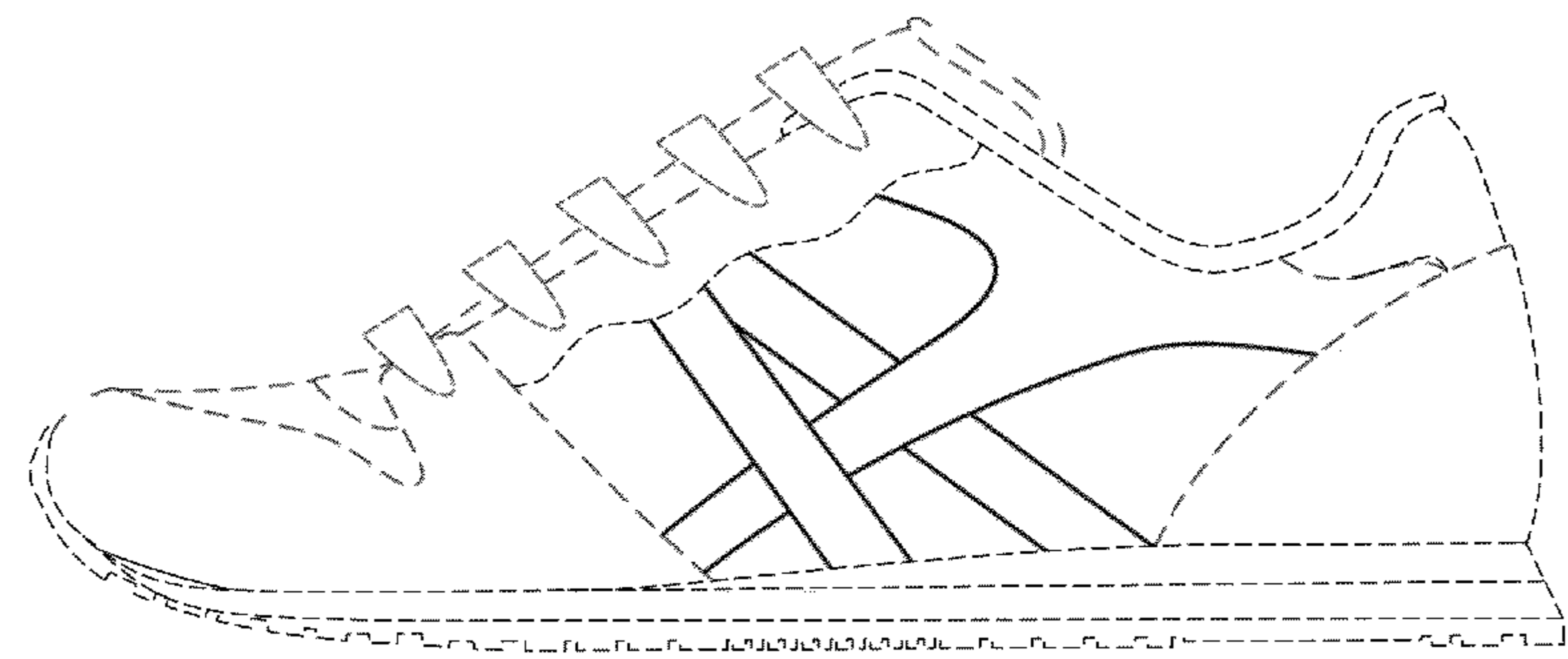
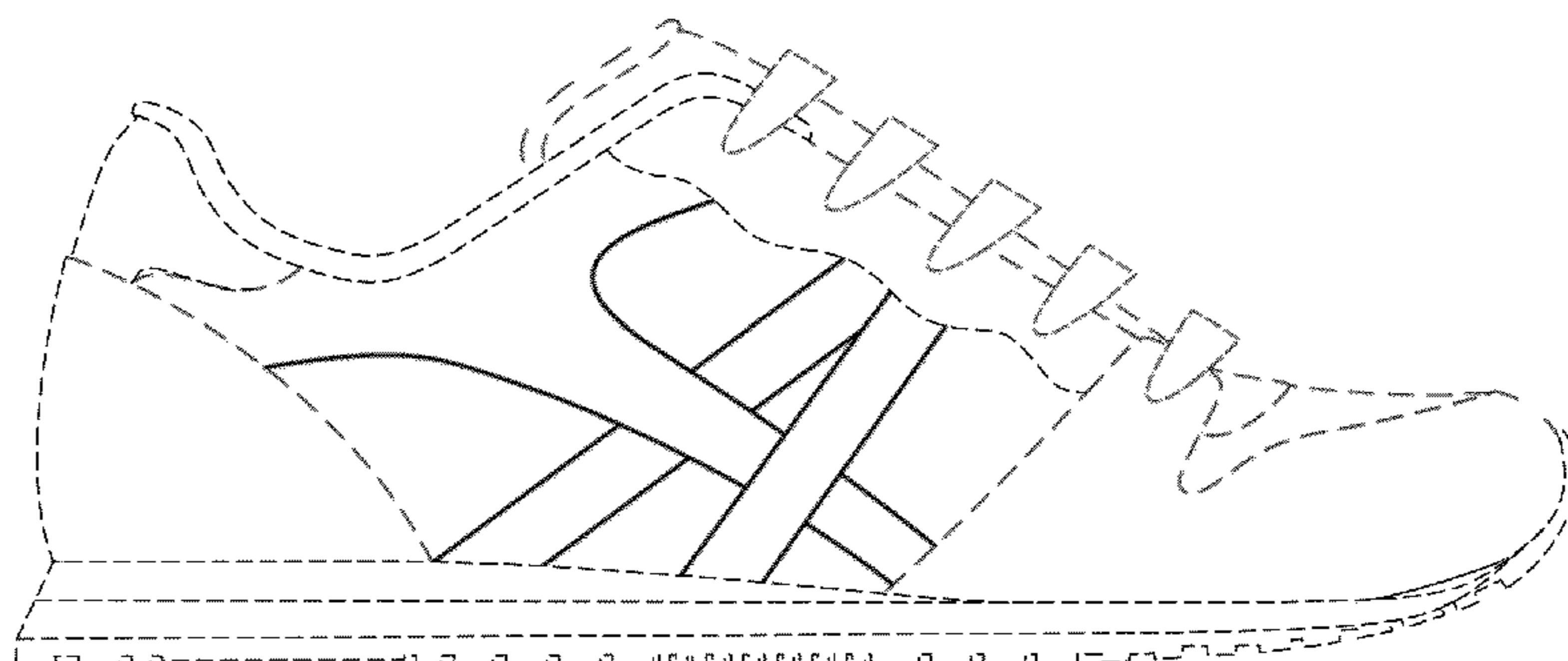
(57) **CLAIM**

The ornamental design for decorative features for a shoe,
substantially as shown and described.

DESCRIPTION

FIG. 1 is a left side view of decorative features for a shoe
showing my new design; and,
FIG. 2 is a right side view thereof.
The broken lines depicting a shoe are for environmental pur-
poses only and form no part of the design claimed.

1 Claim, 1 Drawing Sheet



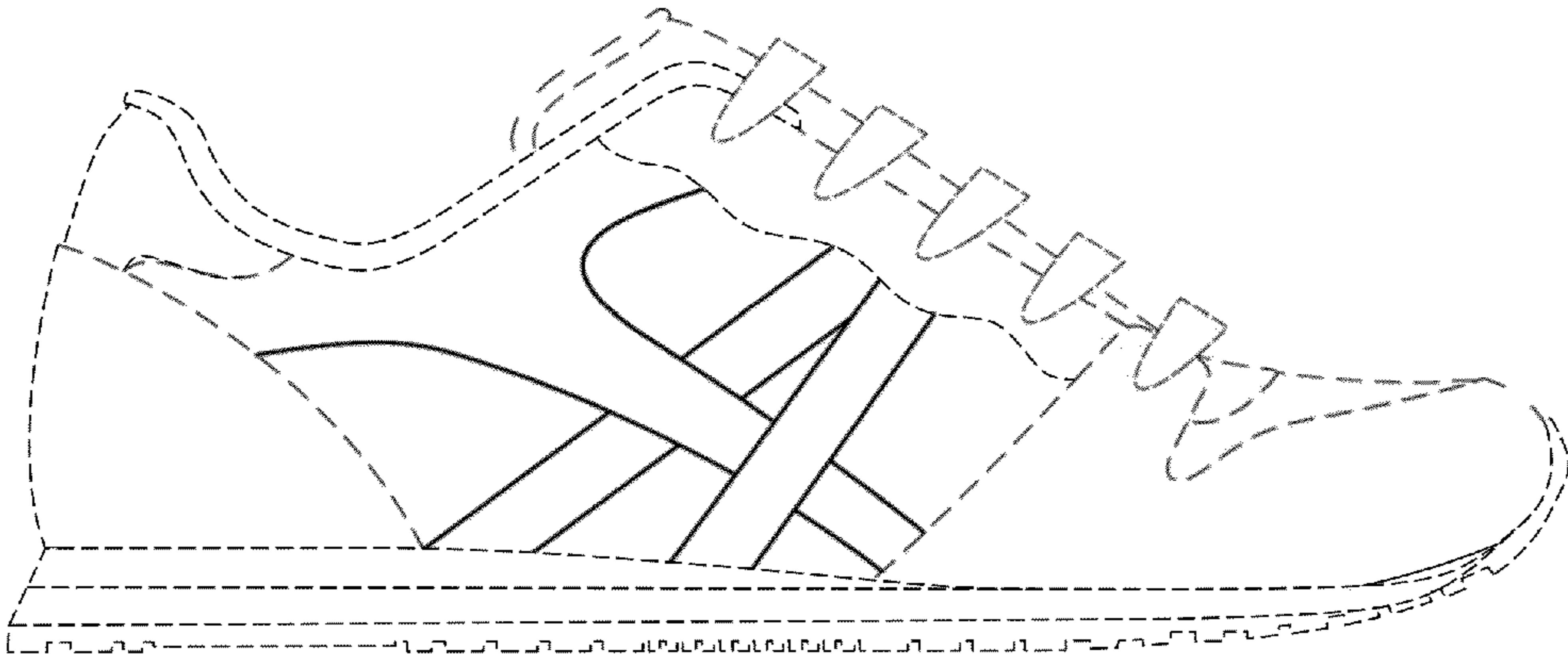


Fig 1

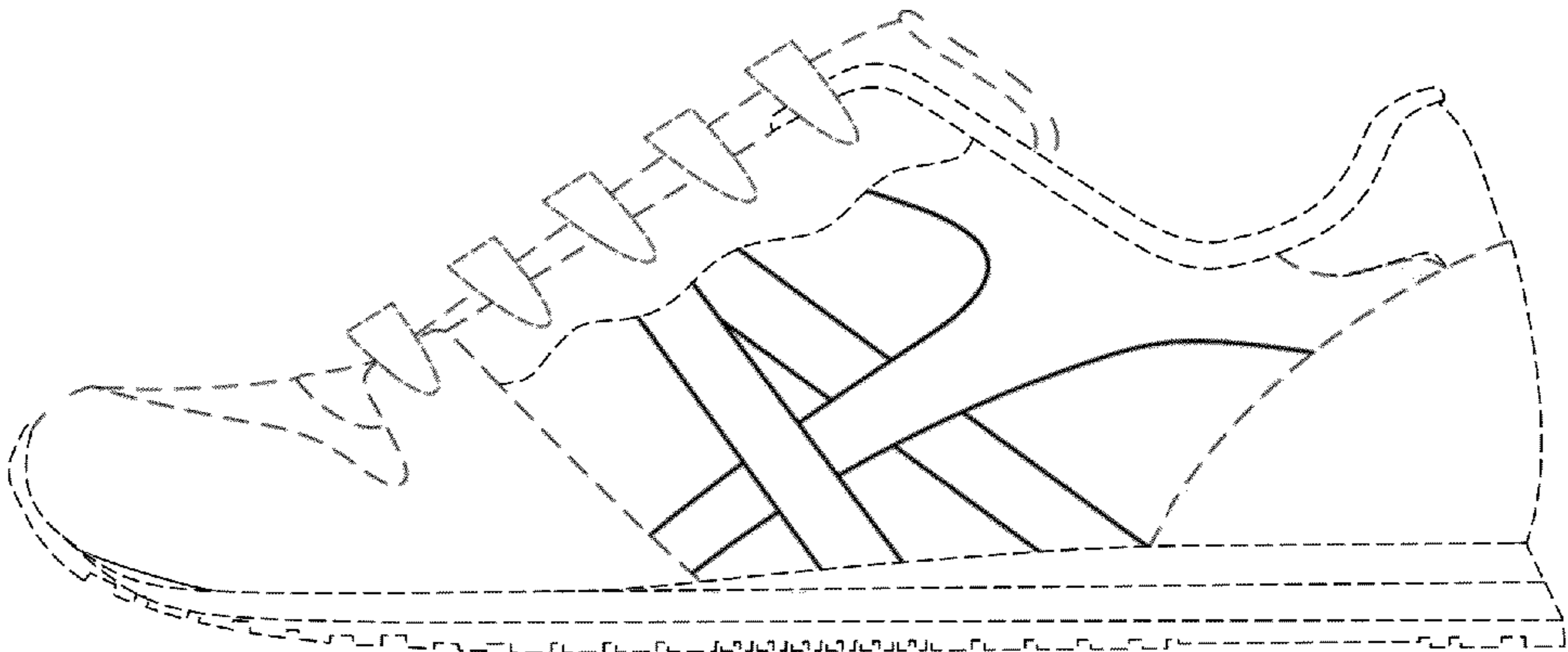


Fig 2