



US00D688857S

(12) **United States Design Patent**  
**Teng-Lee**

(10) **Patent No.:** **US D688,857 S**  
(45) **Date of Patent:** **\*\* Sep. 3, 2013**

- (54) **SHOE UPPER**
- (71) Applicant: **Skechers U.S.A., Inc. II**, Manhattan Beach, CA (US)
- (72) Inventor: **Albert Teng-Lee**, Los Angeles, CA (US)
- (73) Assignee: **Skechers U.S.A., Inc. II**, Manhattan Beach, CA (US)
- (\*\*) Term: **14 Years**
- (21) Appl. No.: **29/455,637**
- (22) Filed: **May 22, 2013**
- (51) **LOC (9) Cl.** ..... **02-04**
- (52) **U.S. Cl.**  
USPC ..... **D2/969**
- (58) **Field of Classification Search**  
USPC ..... D2/896, 898, 900, 903, 919-923,  
D2/943, 952, 969; 36/45, 11.5, 8.1, 77 M,  
36/77 R, 83, 7  
See application file for complete search history.

- D438,697 S 3/2001 Matis et al.
- D451,266 S 12/2001 Schroeder et al.
- D457,296 S 5/2002 Burt
- D487,959 S 4/2004 Belley et al.
- D490,597 S 6/2004 Robinson, Jr. et al.
- D498,356 S 11/2004 Lotti
- D504,012 S 4/2005 Fullum
- D524,016 S 7/2006 Robinson, Jr. et al.
- D560,897 S 2/2008 Feeney et al.
- D566,944 S 4/2008 Belley et al.
- D571,999 S \* 7/2008 Harlow ..... D2/969
- D588,342 S 3/2009 Graber
- D595,946 S 7/2009 Lane, III et al.
- D603,598 S \* 11/2009 Bacon ..... D2/969
- D604,034 S \* 11/2009 Bacon ..... D2/969
- D636,590 S 4/2011 Miner
- D642,369 S 8/2011 Miner

(Continued)

*Primary Examiner* — Robert M Spear  
*Assistant Examiner* — Rashida C McCoy  
(74) *Attorney, Agent, or Firm* — Marshall A. Lemer; Marvin H. Kleinberg; Kleinberg & Lerner, LLP

(57) **CLAIM**  
The ornamental design for a shoe upper, as shown and described.

**DESCRIPTION**

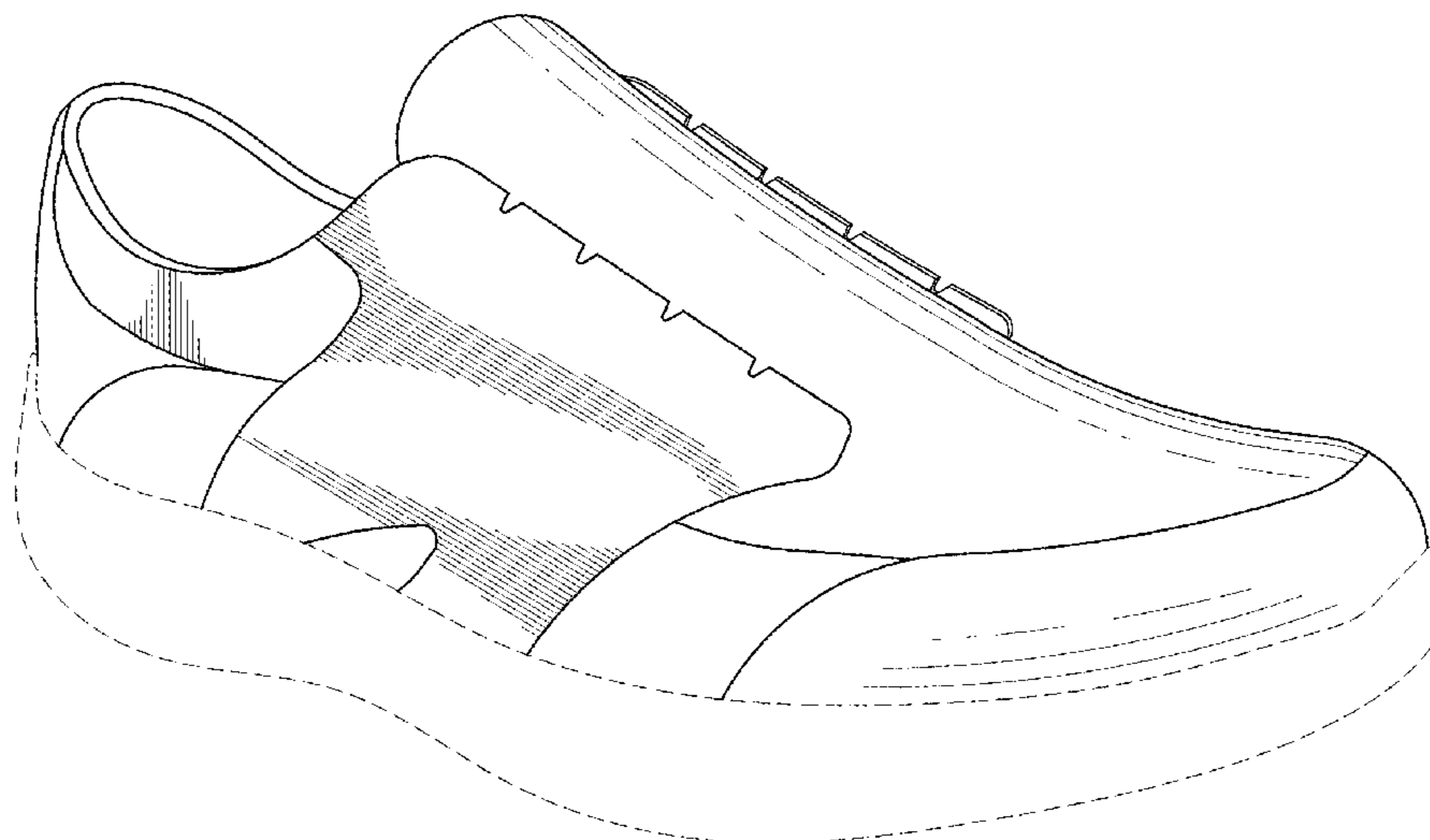
FIG. 1 is a perspective view of a shoe upper in accordance with my new design.  
FIG. 2 is a left side view thereof;  
FIG. 3 is a right side view thereof;  
FIG. 4 is a top plan view thereof;  
FIG. 5 is a bottom plan view thereof;  
FIG. 6 is a front elevation view thereof; and,  
FIG. 7 is a rear elevation view thereof.  
Broken lines showing the remainder of the shoe in the figures are for environment only and form no part of the claimed invention.

**1 Claim, 6 Drawing Sheets**

(56) **References Cited**

**U.S. PATENT DOCUMENTS**

- D112,767 S 1/1939 Ayling
- D123,480 S 11/1940 Hubbard
- D228,267 S 9/1973 Powers
- D237,426 S 11/1975 Thornberry
- D237,427 S 11/1975 Thornberry
- D273,244 S 4/1984 Norton et al.
- D281,115 S \* 10/1985 Campbell et al. .... D2/907
- D281,639 S \* 12/1985 Gamm ..... D2/905
- D283,365 S \* 4/1986 Gamm ..... D2/905
- D287,422 S 12/1986 MacGregor et al.
- D291,141 S \* 8/1987 Tong et al. .... D2/969
- D329,531 S 9/1992 Smith
- D394,139 S 5/1998 Hirahata
- D426,372 S \* 6/2000 Price ..... D2/908
- D435,164 S 12/2000 Reiss et al.



(56)

**References Cited**

U.S. PATENT DOCUMENTS

D643,608 S \* 8/2011 Teteriatnikov ..... D2/969  
D654,681 S 2/2012 Bacon

D656,723 S 4/2012 Eidson et al.  
D661,884 S 6/2012 Raysse  
D662,301 S 6/2012 Raysse  
D663,519 S 7/2012 Grangaard

\* cited by examiner

FIG. 1

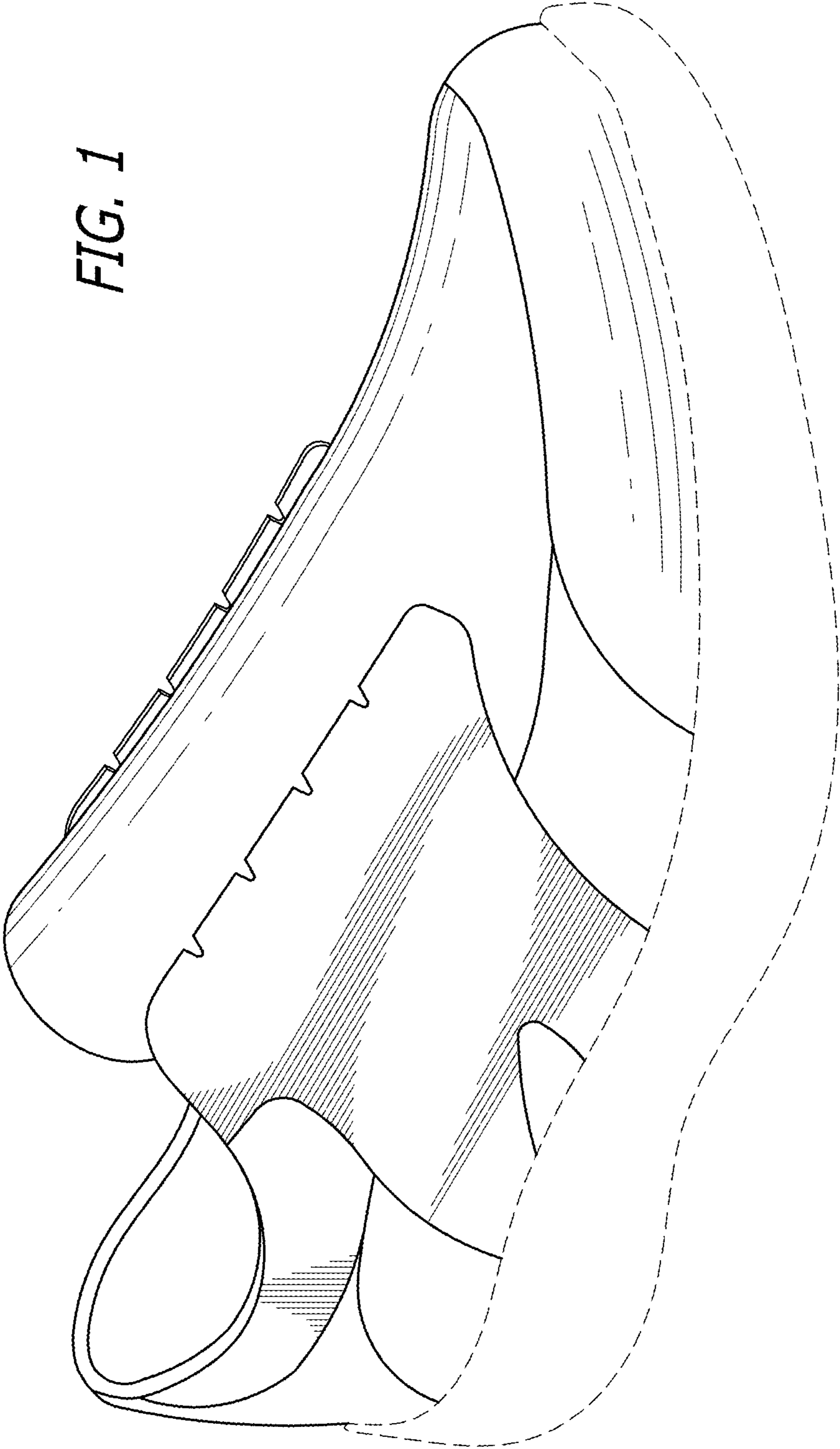
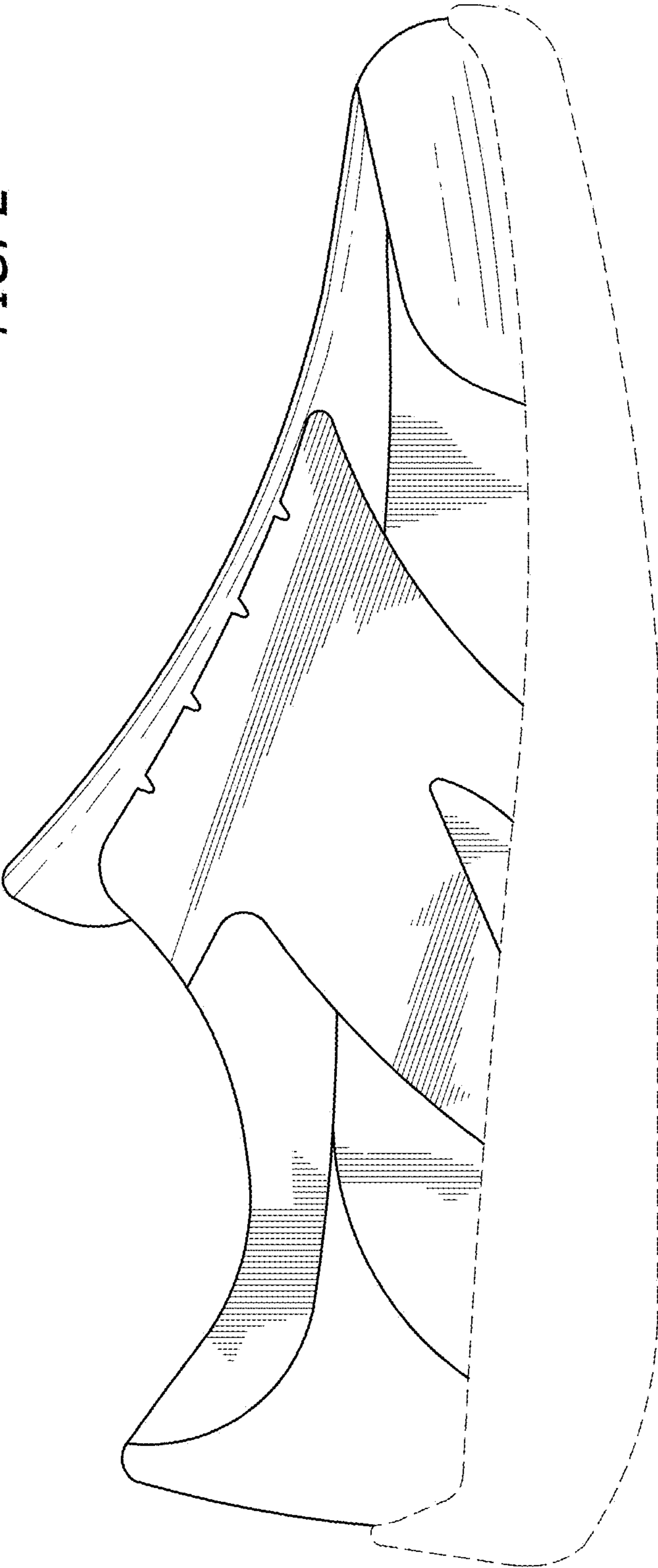


FIG. 2



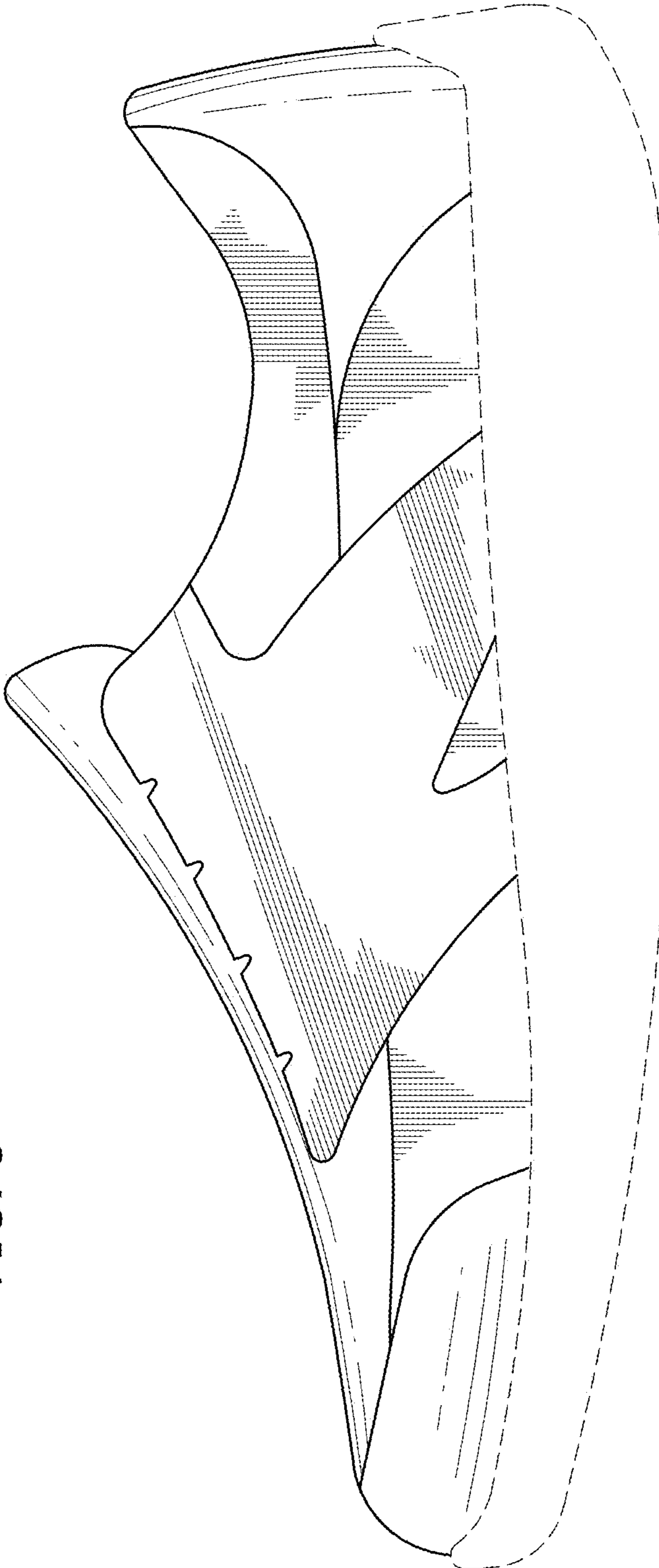


FIG. 3

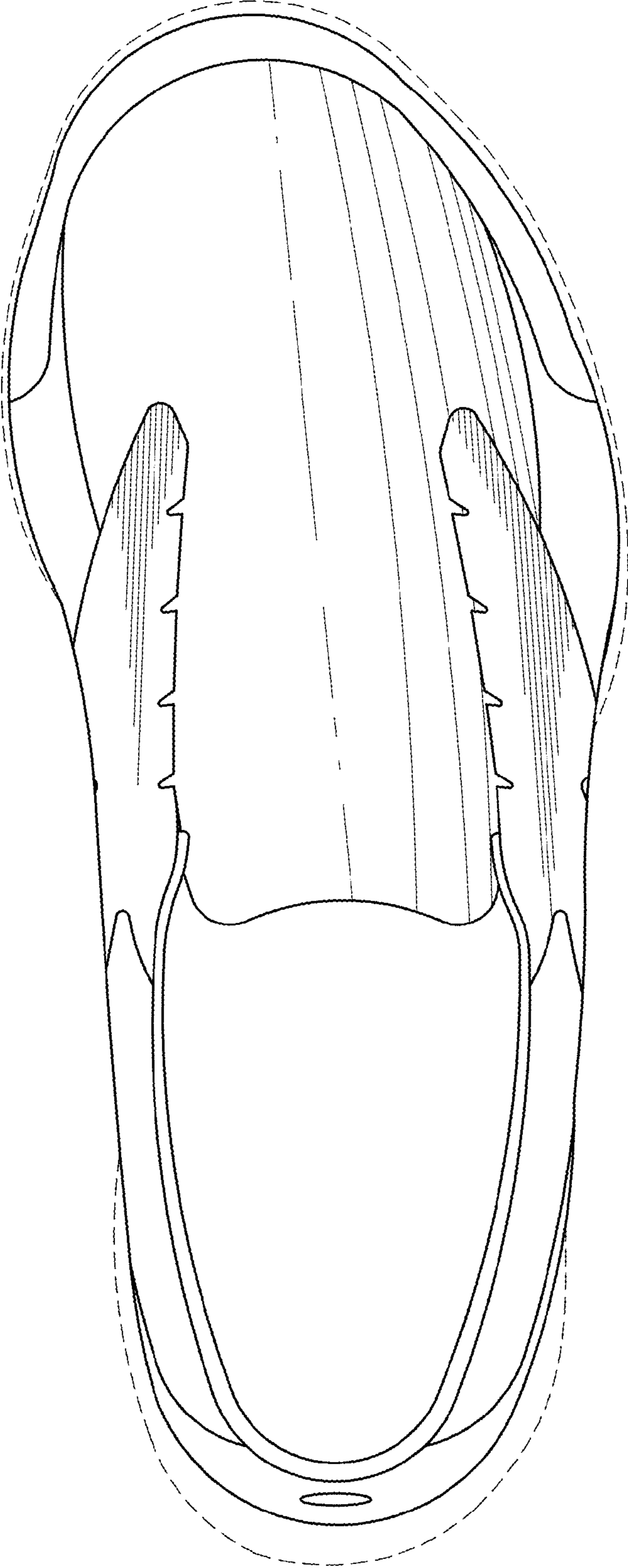


FIG. 4

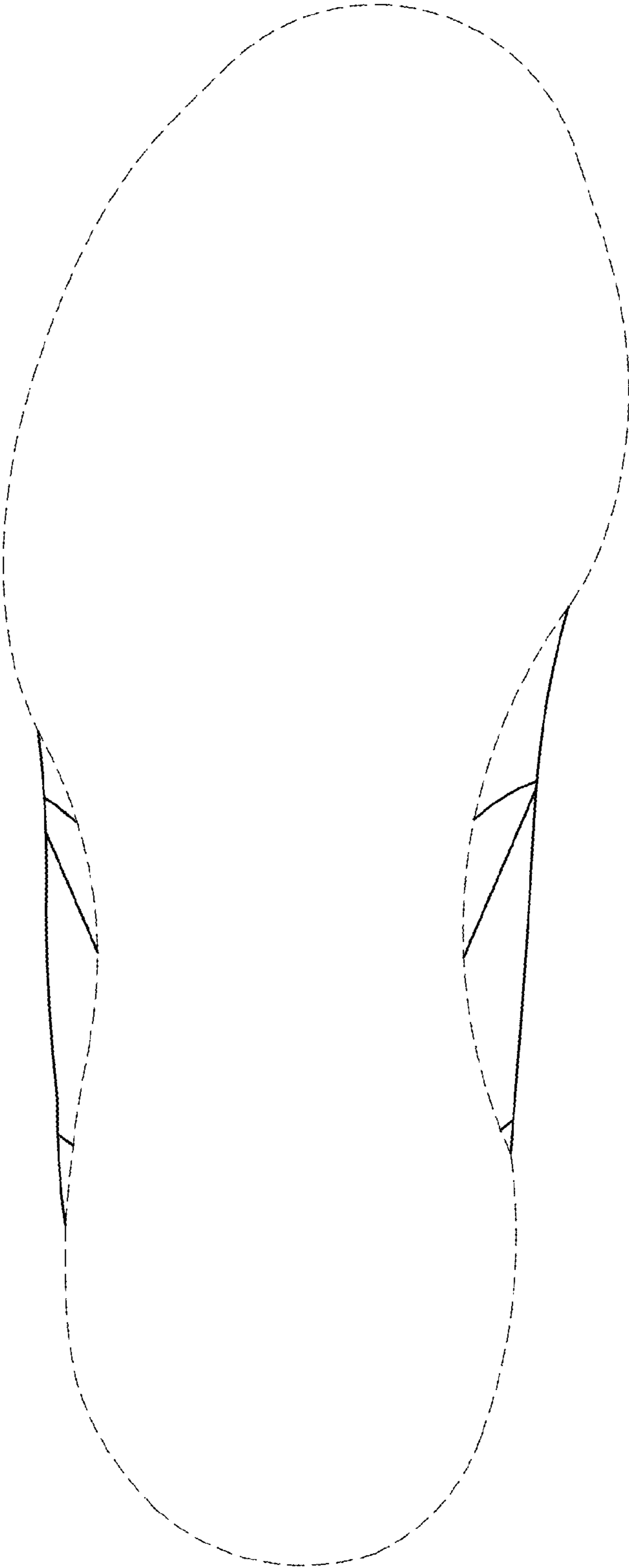


FIG. 5

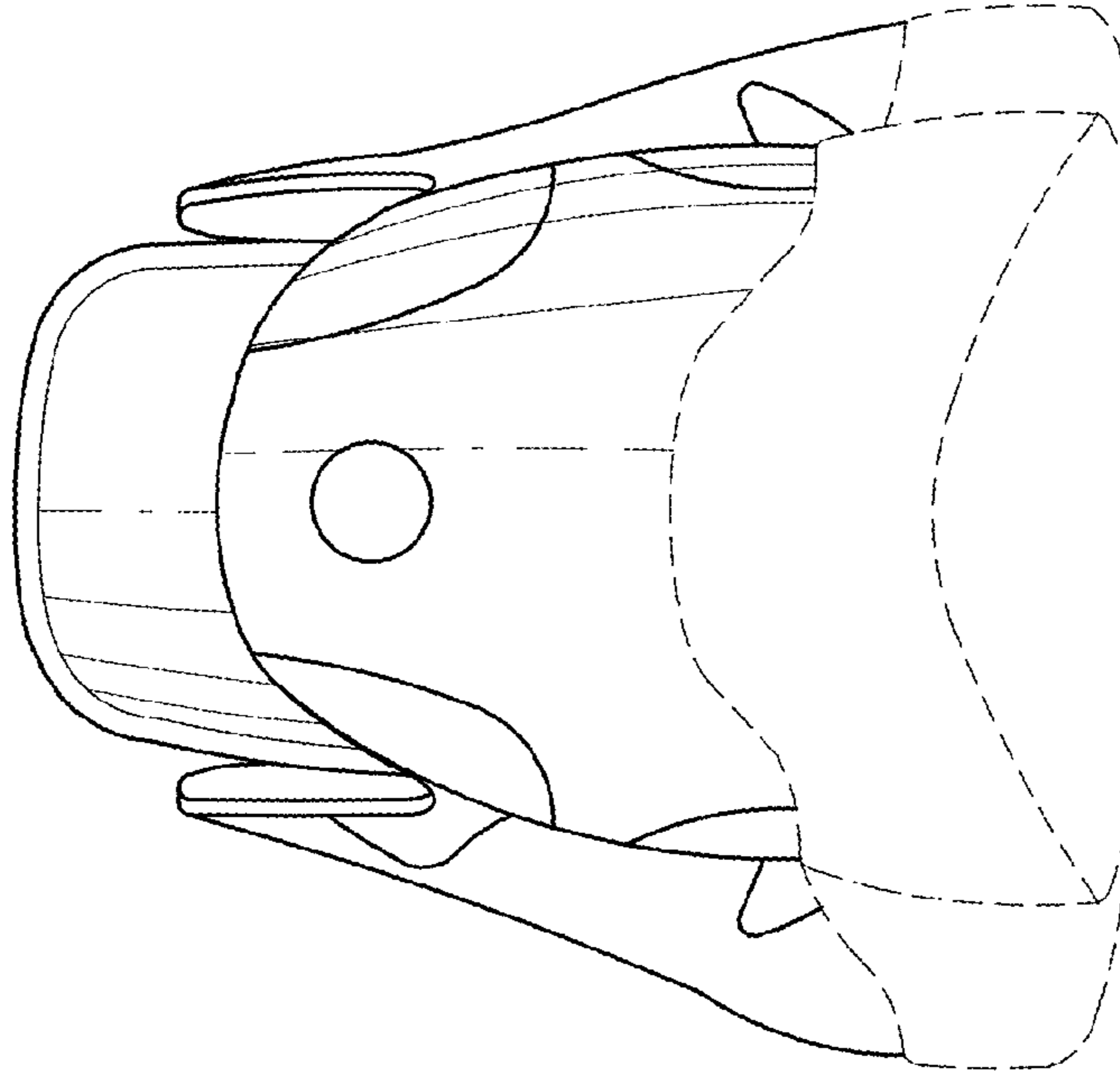


FIG. 7

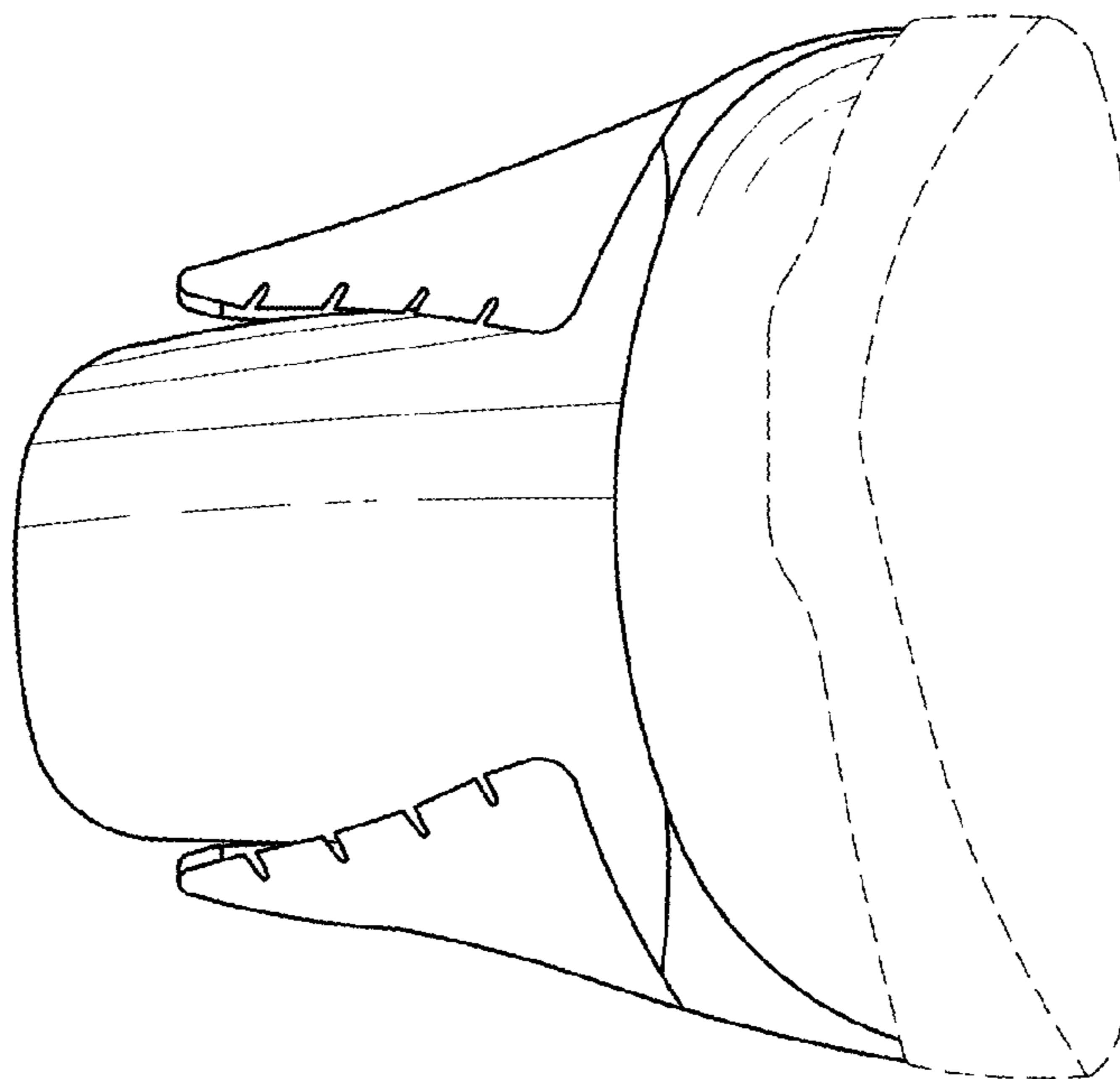


FIG. 6