



US00D688855S

(12) **United States Design Patent**  
**Gavrieli et al.**

(10) **Patent No.:** **US D688,855 S**  
(45) **Date of Patent:** **\*\* Sep. 3, 2013**

- (54) **SPLIT-SOLE SHOE WITH BLUE SOLES**
- (71) Applicant: **Gavrieli Brands LLC**, Beverly Hills, CA (US)
- (72) Inventors: **Kfir Gavrieli**, Los Angeles, CA (US); **Dikla Gavrieli**, Los Angeles, CA (US)
- (73) Assignee: **Gavrieli Brands LLC**, Beverly Hills, CA (US)
- (\*\*) Term: **14 Years**
- (21) Appl. No.: **29/437,407**
- (22) Filed: **Nov. 15, 2012**

D339,669	S	*	9/1993	Miller	.....	D2/919
D341,022	S		11/1993	Zona		
D351,719	S		10/1994	Piotroziacz		
D396,341	S		7/1998	Lozano et al.		
D397,238	S		8/1998	Lozano et al.		
6,338,207	B1		1/2002	Chang		
D457,292	S	*	5/2002	Sessa	.....	D2/949
D461,947	S		8/2002	Merceron		
D476,798	S		7/2003	Reynolds et al.		
D498,041	S		11/2004	McClaskie		
D500,191	S	*	12/2004	Belley et al.	.....	D2/969
D501,706	S		2/2005	McClaskie		
D527,513	S	*	9/2006	Della Valle	.....	D2/919
D531,790	S		11/2006	Wurzburg		
D534,341	S	*	1/2007	Choi	.....	D2/971
D542,513	S		5/2007	Amado et al.		
D570,488	S		6/2008	Kirksey et al.		
D571,548	S		6/2008	Seamans		
D571,989	S		7/2008	Siegal		
D576,397	S		9/2008	Couder		
D580,640	S		11/2008	Wurzburg		
D582,638	S		12/2008	Ringholz		
7,506,459	B2		3/2009	Grisoni et al.		
D591,031	S		4/2009	Confinco		
D593,295	S	*	6/2009	Belley et al.	.....	D2/969
D593,297	S	*	6/2009	Belley et al.	.....	D2/969
D593,307	S	*	6/2009	Belley et al.	.....	D2/969
D599,093	S	*	9/2009	Issler	.....	D2/971
D604,030	S		11/2009	Wilson		
D607,194	S		1/2010	Zagula		
D610,332	S		2/2010	Raichle		
D610,785	S		3/2010	Smith		
D612,140	S		3/2010	Moon		
D612,141	S		3/2010	Moon		
7,735,244	B1		6/2010	Ameche		
D632,881	S		2/2011	Rosenberg		
D634,528	S		3/2011	Oldenburg		
D635,752	S		4/2011	Shea		
D640,861	S		7/2011	Wilkenfeld		
D655,076	S		3/2012	Rosenberg		
D664,755	S		8/2012	Gavrieli et al.		
8,245,420	B2		8/2012	Wilson		
D668,027	S		10/2012	Millieret		
D668,438	S		10/2012	Millieret		
D668,847	S		10/2012	Gavrieli et al.		
D668,848	S		10/2012	Gavrieli et al.		
D669,674	S		10/2012	Vidal		
D672,542	S		12/2012	Gray et al.		
D676,634	S		2/2013	Gavrieli et al.		
2004/0025377	A1		2/2004	Brannon		
2006/0026868	A1		2/2006	Grisoni		
2006/0086005	A1		4/2006	Yerianm		
2007/0062064	A1		3/2007	McClaskie		

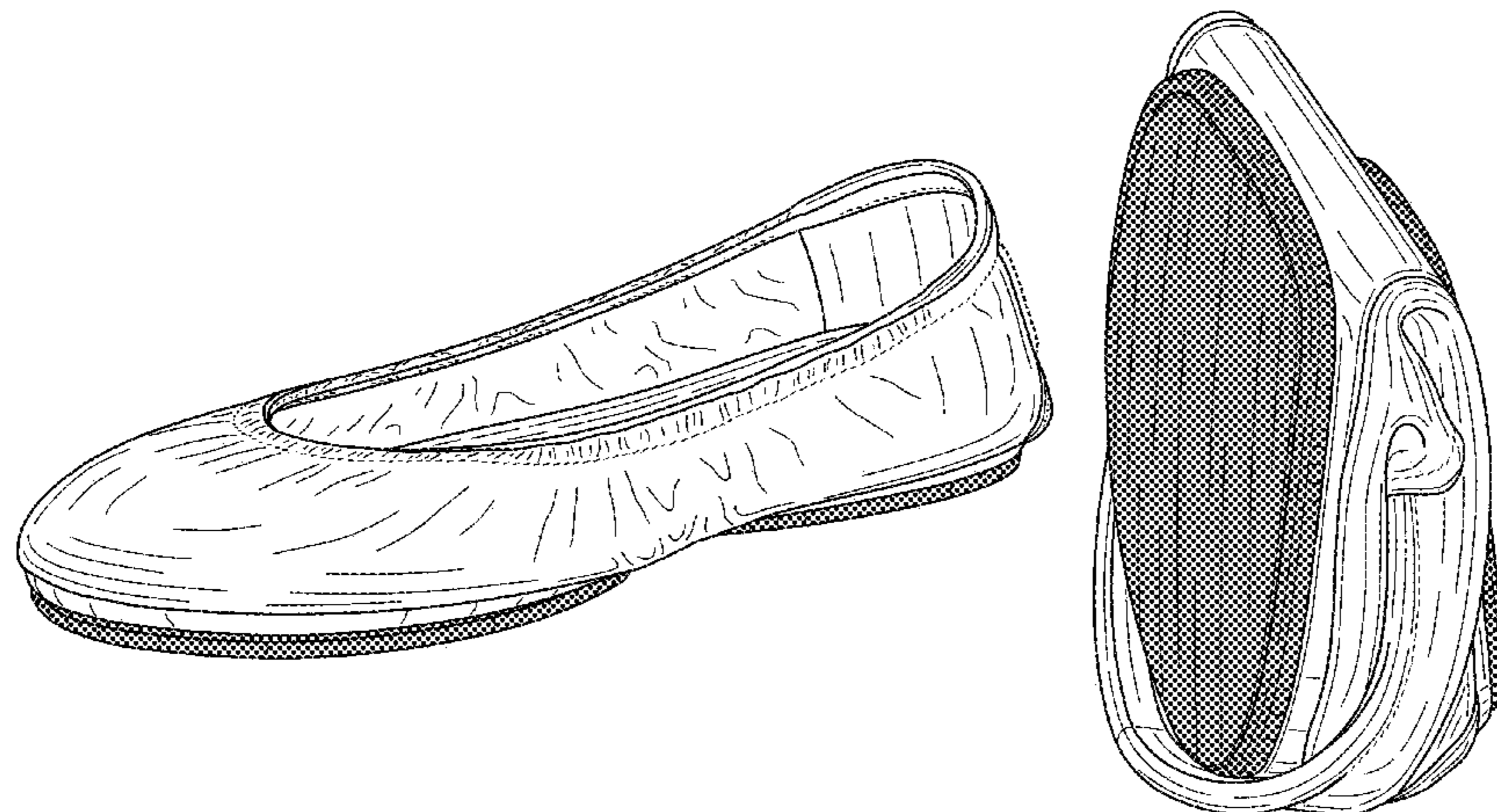
**Related U.S. Application Data**

- (63) Continuation of application No. 13/207,397, filed on Aug. 10, 2011.
- (51) **LOC (9) Cl.** ..... **02-04**
- (52) **U.S. Cl.**  
USPC ..... **D2/939; D2/925**
- (58) **Field of Classification Search**  
USPC ..... D2/896, 900, 919-921, 925-942, D2/946, 949, 950, 969, 971; 36/1, 83, 8.1-8.3, 36/9 R, 45-58, 104, 108, 76 R  
See application file for complete search history.

**References Cited**

**U.S. PATENT DOCUMENTS**

1,525,848	A	*	2/1925	Bonaventure	.....	36/8.3
1,587,377	A		6/1926	Grosjean		
1,650,466	A		11/1927	Righter		
2,268,777	A		1/1942	Scholl		
D133,819	S	*	9/1942	Harris	.....	D2/939
D149,685	S	*	5/1948	Sandler	.....	D2/935
D150,729	S	*	8/1948	Sandler	.....	D2/927
D166,090	S	*	3/1952	Maling	.....	D2/897
2,904,814	A		9/1959	Scholl		
D200,897	S	*	4/1965	Mitchell	.....	D2/919
D247,396	S	*	3/1978	Schlerth	.....	D2/939
D295,692	S	*	5/1988	Zuidema et al.	.....	D2/950
D300,085	S		3/1989	Ito et al.		
D316,773	S		5/1991	Valle		



2009/0193685	A1	8/2009	Wilson
2009/0272009	A1	11/2009	Weisner et al.
2010/0018080	A1	1/2010	Smith
2010/0115793	A1	5/2010	Kraisosky
2011/0214312	A1	9/2011	Krikelis

FOREIGN PATENT DOCUMENTS

DE	20 2006 000230	U1	5/2007
GB	2 446 205	A	8/2008

OTHER PUBLICATIONS

Examination Report for AU 341324, dated Oct. 24, 2012.  
 The Love List, "Tieks by Gavrieli—Foldable Ballet Flats", Sep. 12, 2010. <http://thelovelist-carly.blogspot.com.au/2010/09/tieks-by-gavrielli-foldable-ballet.html>.  
 Wearability—Real People Style, "What came first, the City Flat or the Tieks" Aug. 29, 2010, <http://wearability.posterous.com/what-came-first-the-city-flat-or-the-tieks>.  
 Try It Mummy!, Tieks by Gavrieli, Dec. 9, 2010, <http://tryitmummy.blogspot.com.au/2010/12/tieks-by-gavrieli.html>.  
 Letter from TMI and Associates with Office Action dated Sep. 19, 2012 with old URL <http://www.payless.com/store/?&TLC=Womens&SLC=WomensNewArrivals&BLC=WomensNewArrivalsNewArrivals&Width=Regular&ItemCode=60131&LotNumber=062642&Type=Adult&Popularity=637&Descriptivein>.  
 Taiwanese Office Action for TW 101300726, dated Sep. 6, 2012.

\* cited by examiner

*Primary Examiner* — Dominic Simone  
 (74) *Attorney, Agent, or Firm* — Morgan, Lewis & Bockius LLP

(57) **CLAIM**

An ornamental design for a split-sole shoe with blue soles, as shown and described.

**DESCRIPTION**

The file of this patent contains at least one drawing executed in color. Copies of this patent with color drawing(s) will be provided by the Office upon request and payment of the necessary fee.

FIG. 1 is a perspective view of an embodiment of our new design of a split-sole shoe with blue soles;  
 FIG. 2 is a first side view of the design of FIG. 1;

FIG. 3 is a second side view of the design of FIG. 1;  
 FIG. 4 is a top view of the design of FIG. 1;  
 FIG. 5 is a bottom view of the design of FIG. 1;  
 FIG. 6 is a front view of the design of FIG. 1;  
 FIG. 7 is a back view of the design of FIG. 1;  
 FIG. 8 is another perspective view of the design of FIG. 1, the perspective view illustrating this embodiment when it is placed in a folded configuration;  
 FIG. 9 is a perspective view of a second embodiment of our new design of a split-sole shoe with blue soles, where the blue portions are indicated using the USPTO convention of horizontal lines for blue, such as Pantone PMS 3242-3278, PMS 2905-2995, and 7453C-7472C;  
 FIG. 10 is a first side view of the design of FIG. 9;  
 FIG. 11 is a second side view of the design of FIG. 9;  
 FIG. 12 is a top view of the design of FIG. 9;  
 FIG. 13 is a bottom view of the design of FIG. 9;  
 FIG. 14 is a front view of the design of FIG. 9;  
 FIG. 15 is a back view of the design of FIG. 9;  
 FIG. 16 is another perspective view of the design of FIG. 9, the perspective view illustrating the this embodiment when it is placed in a folded configuration;  
 FIG. 17 is a perspective view of a third embodiment of our new design of a split-sole shoe with blue soles, where the blue portions are indicated using a checkered pattern to indicate the blue color Pantone 7466C;  
 FIG. 18 is a first side view of the design of FIG. 17;  
 FIG. 19 is a second side view of the design of FIG. 17;  
 FIG. 20 is a top view of the design of FIG. 17;  
 FIG. 21 is a bottom view of the design of FIG. 17;  
 FIG. 22 is a front view of the design of FIG. 17;  
 FIG. 23 is a back view of the design of FIG. 17; and,  
 FIG. 24 is another perspective view of the design of FIG. 17, the perspective view illustrating this embodiment when it is placed in a folded configuration.

The broken lines showing elements in the above described Figures are for illustrative purposes only and form no part of the claimed design.

**1 Claim, 21 Drawing Sheets**  
**(6 of 21 Drawing Sheet(s) Filed in Color)**

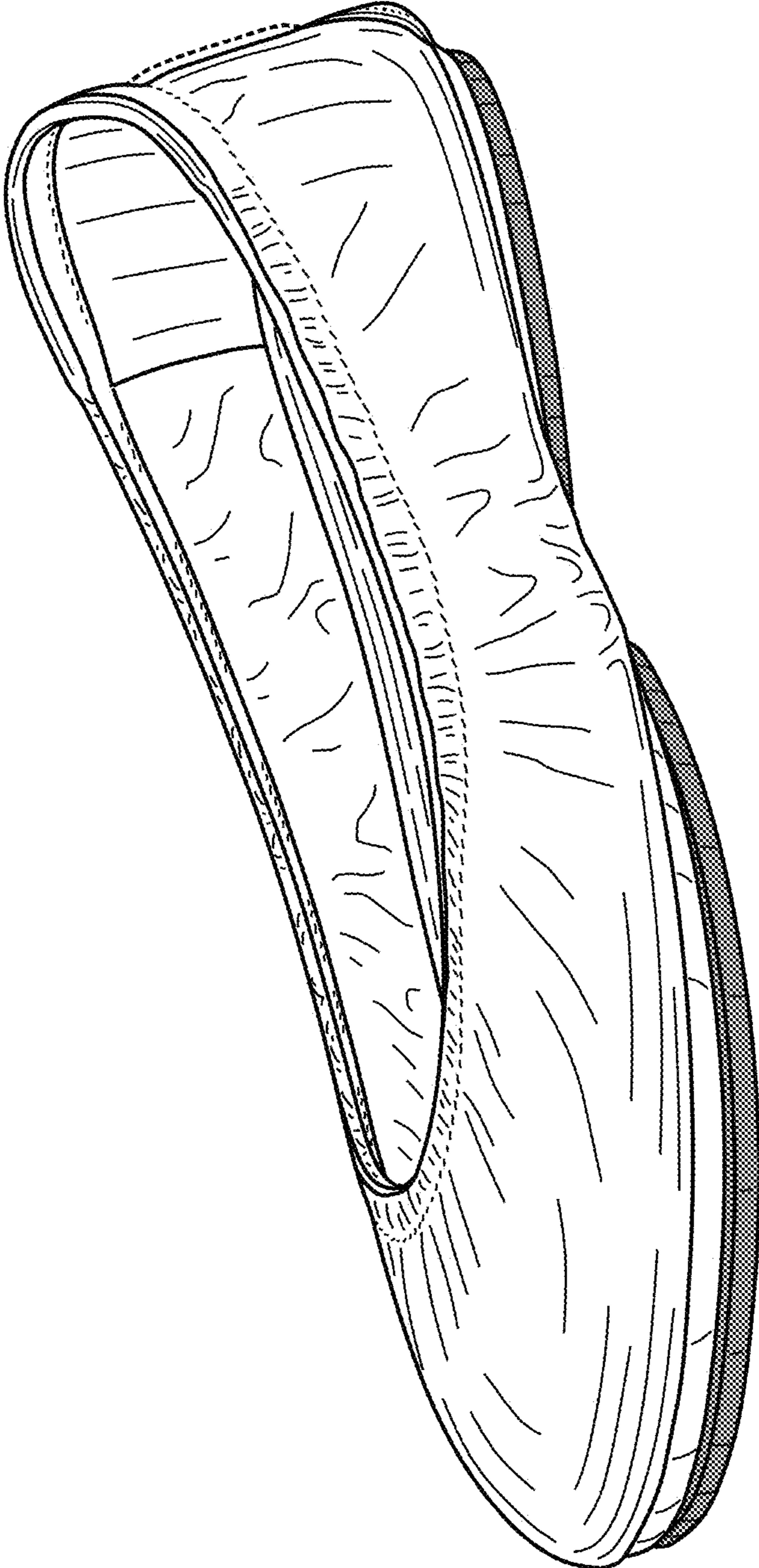


FIG. 1

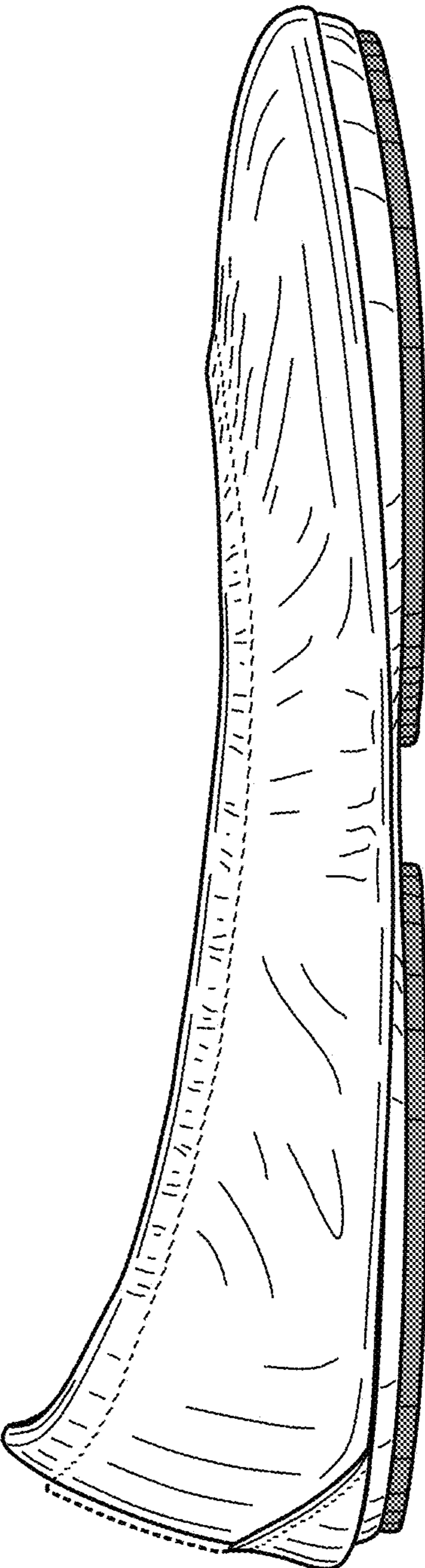


FIG. 2

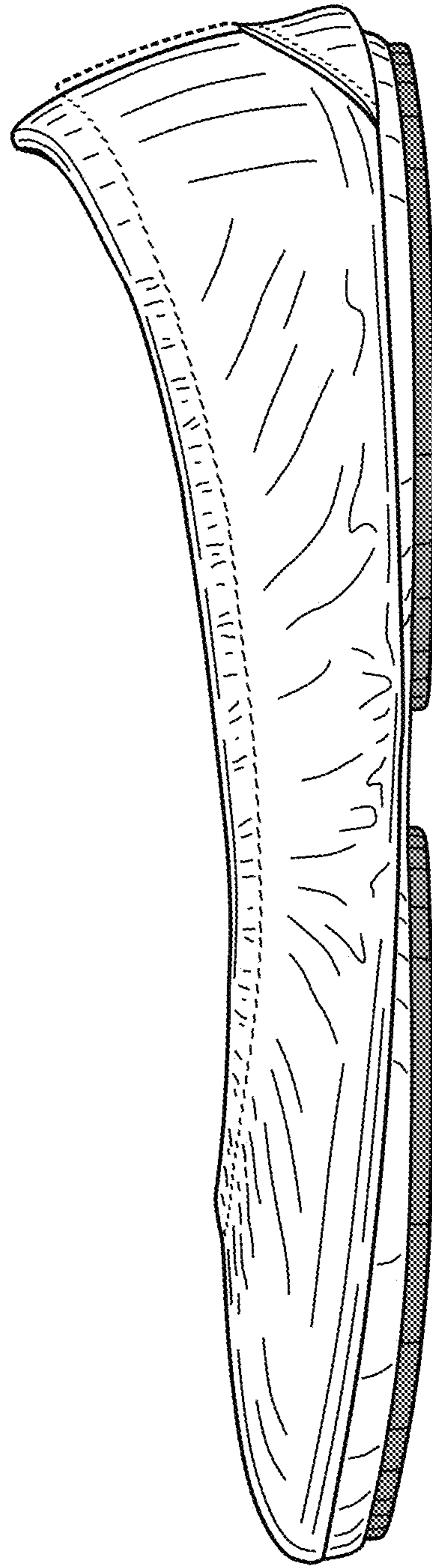


FIG. 3

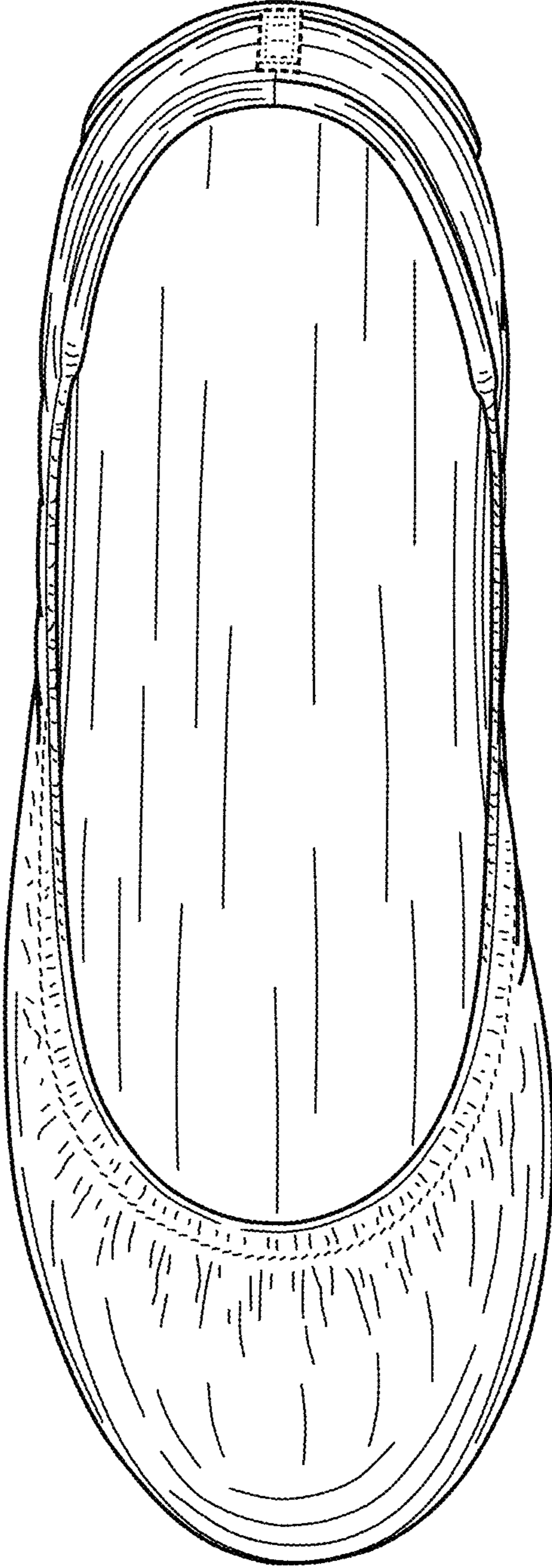


FIG. 4

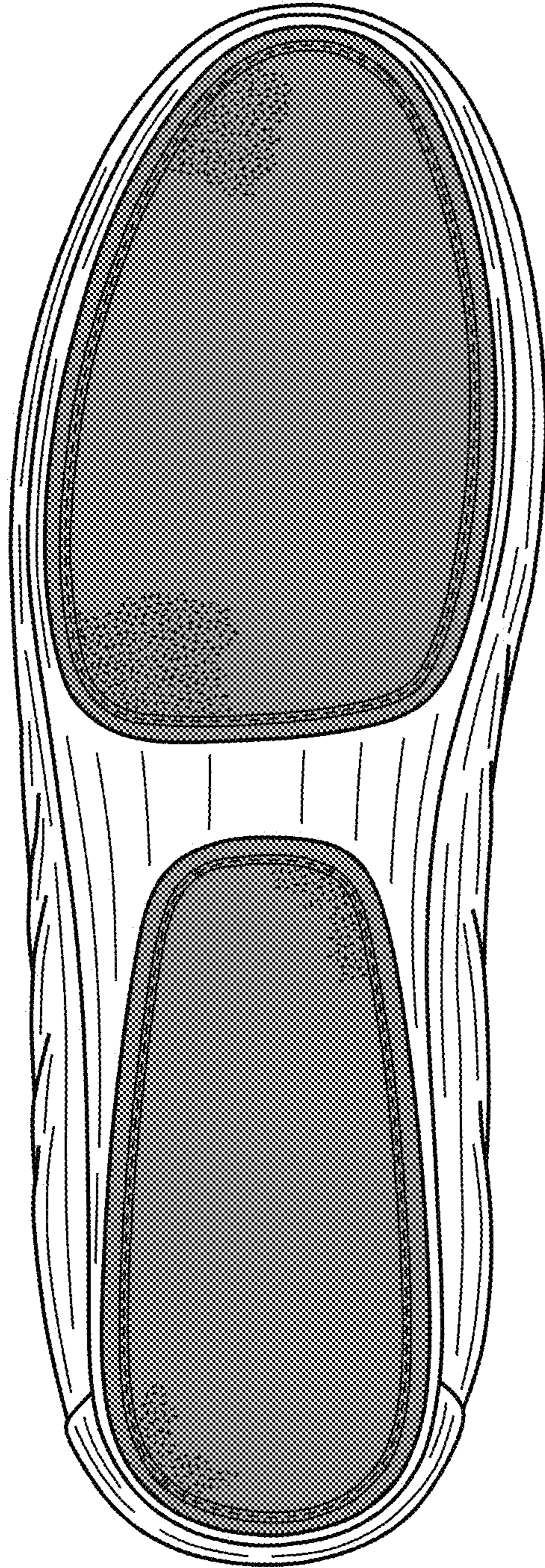


FIG. 5

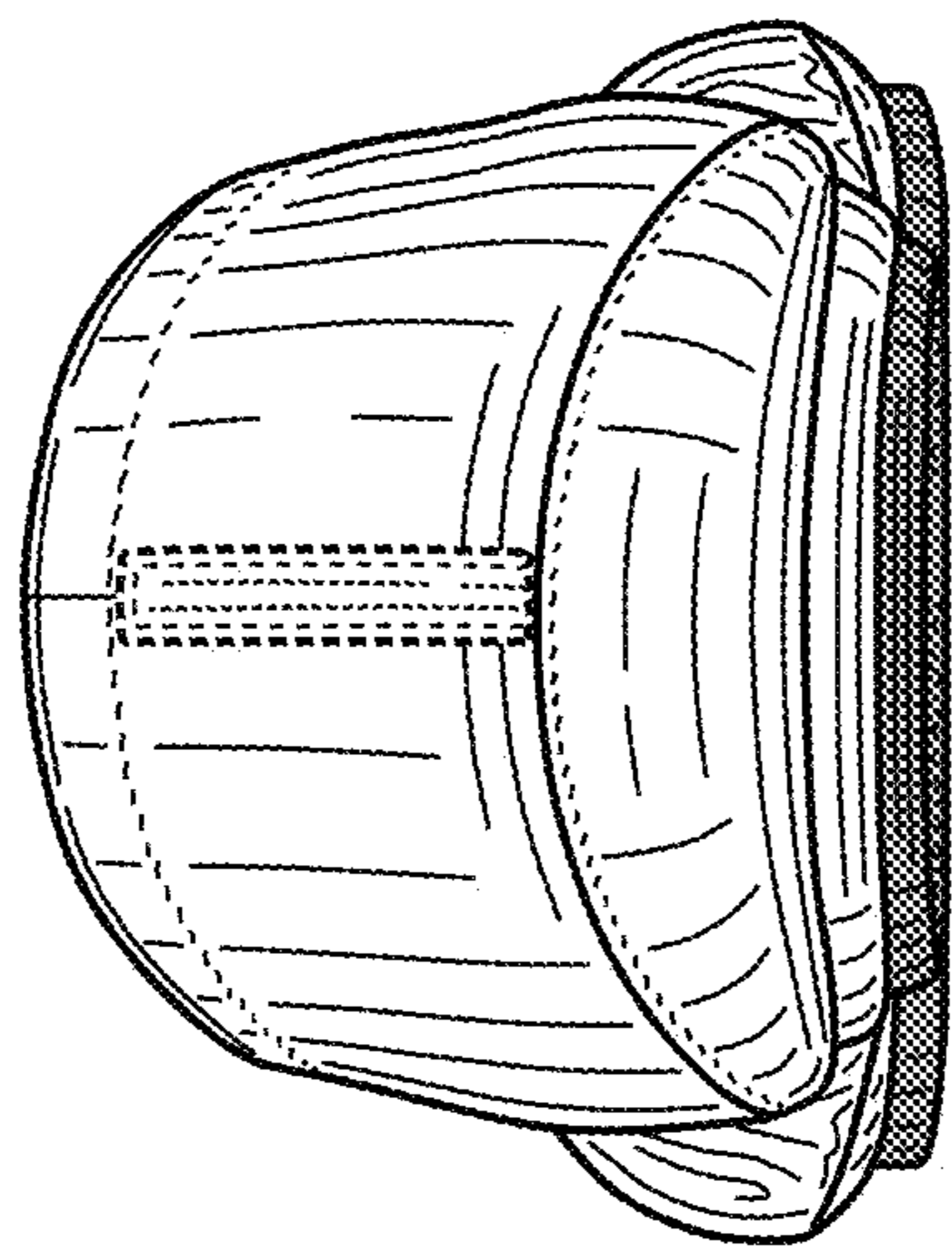


FIG. 7

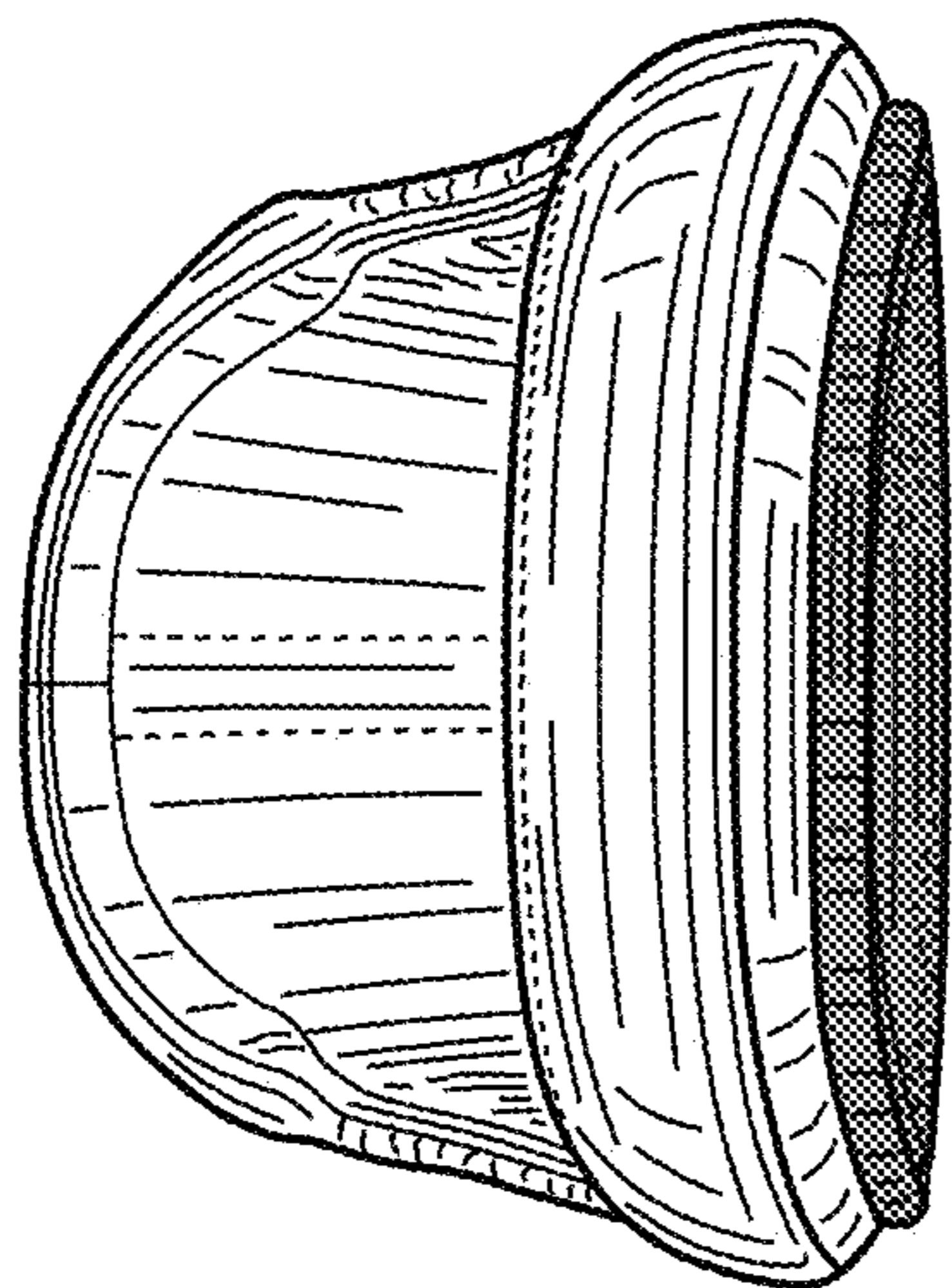


FIG. 6



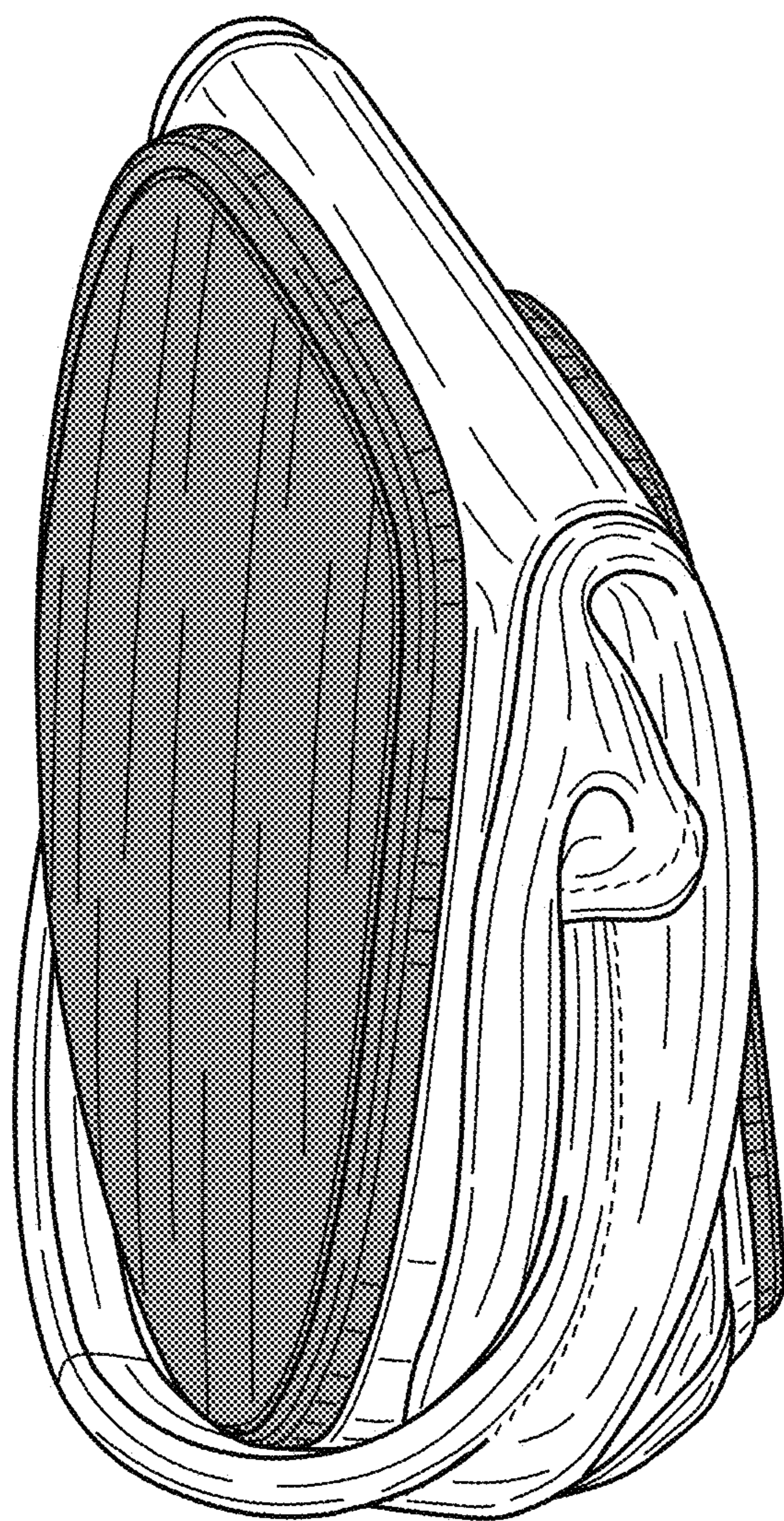


FIG. 8

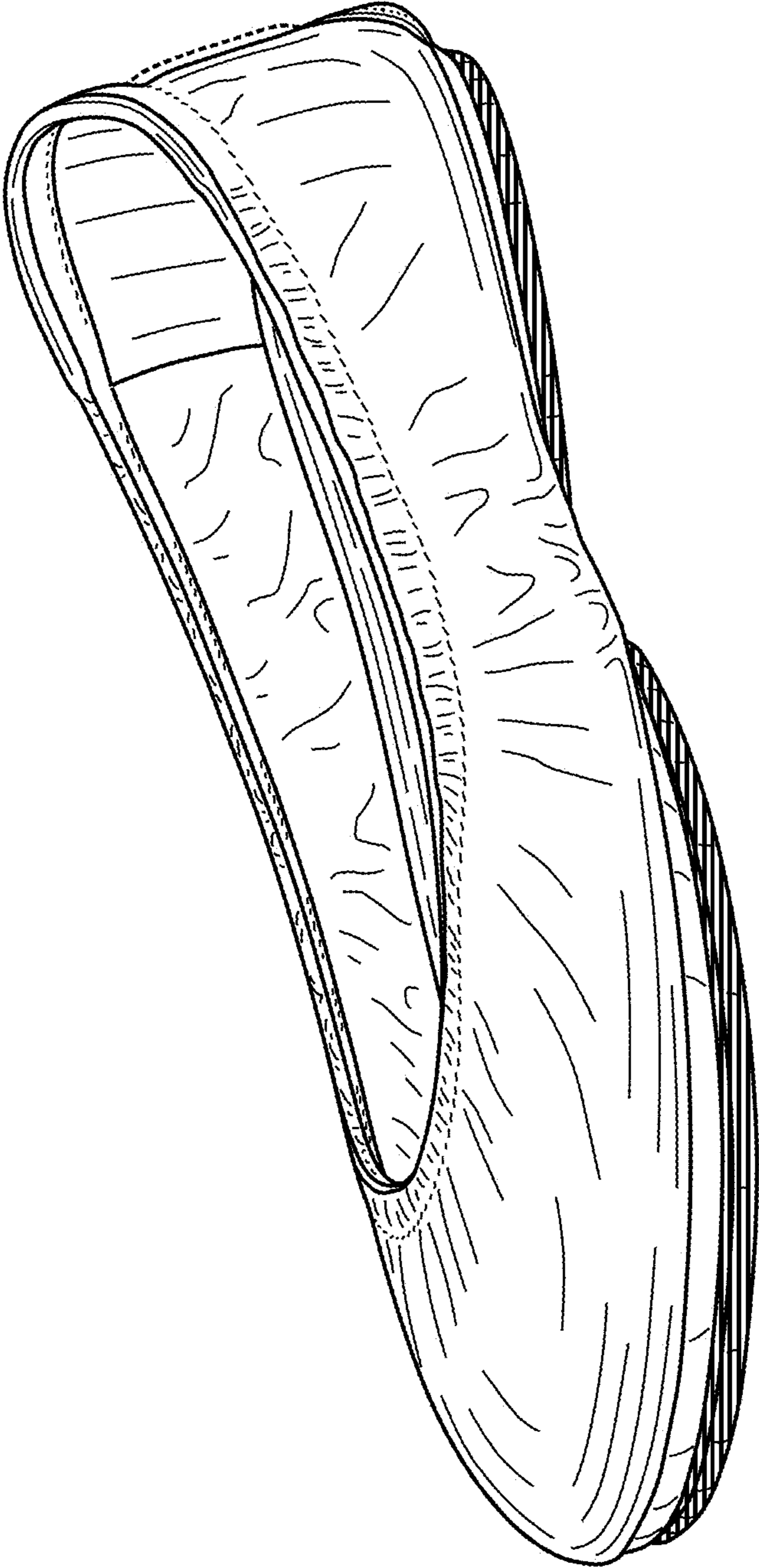


FIG. 9

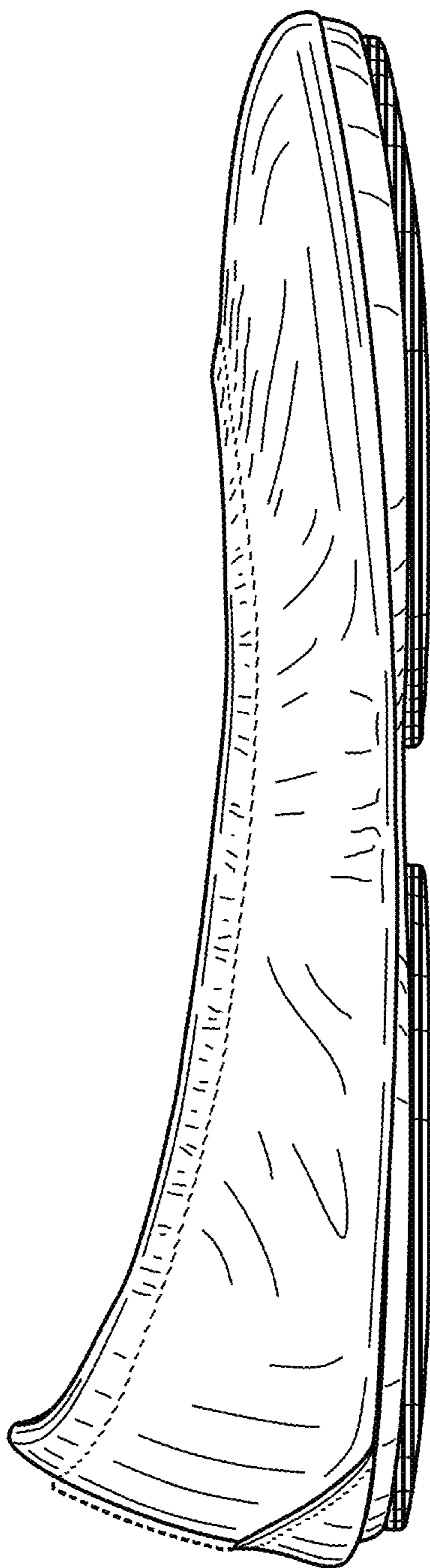


FIG. 10

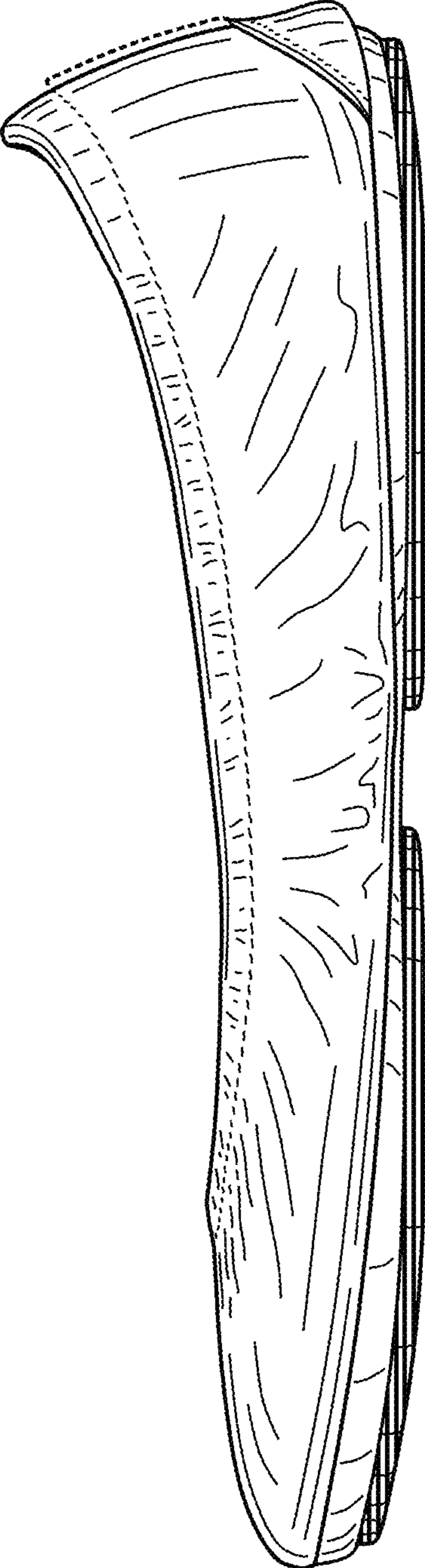


FIG. 11

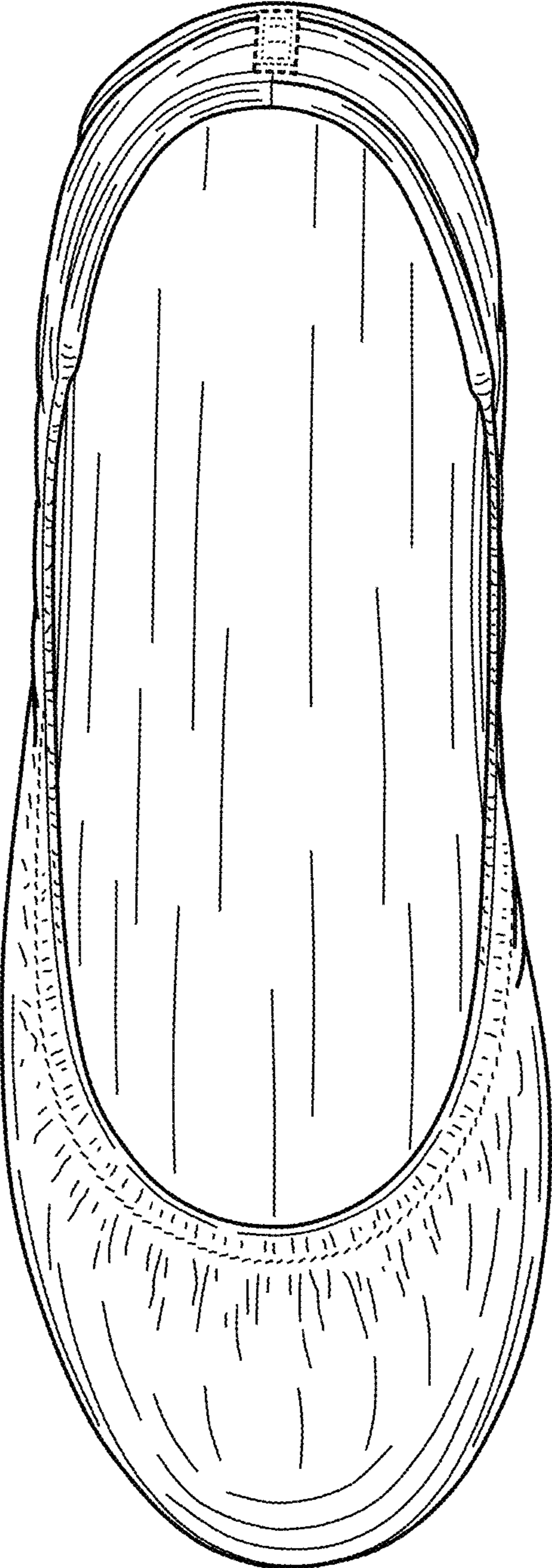


FIG. 12

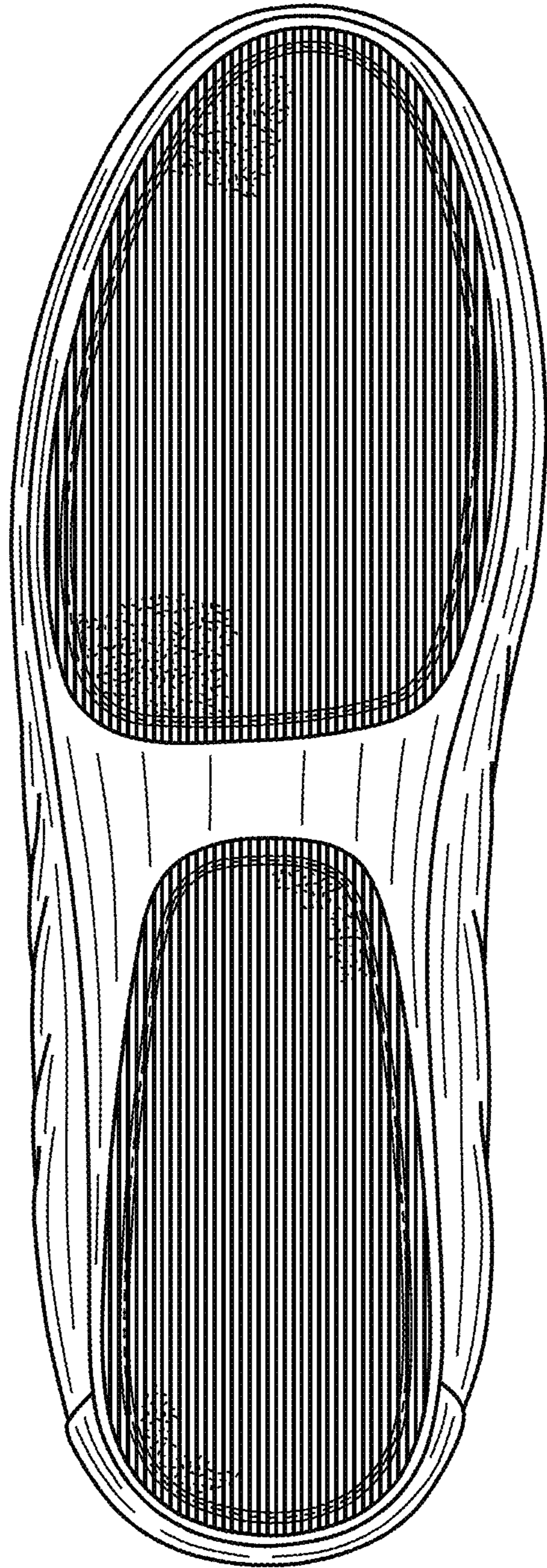


FIG. 13

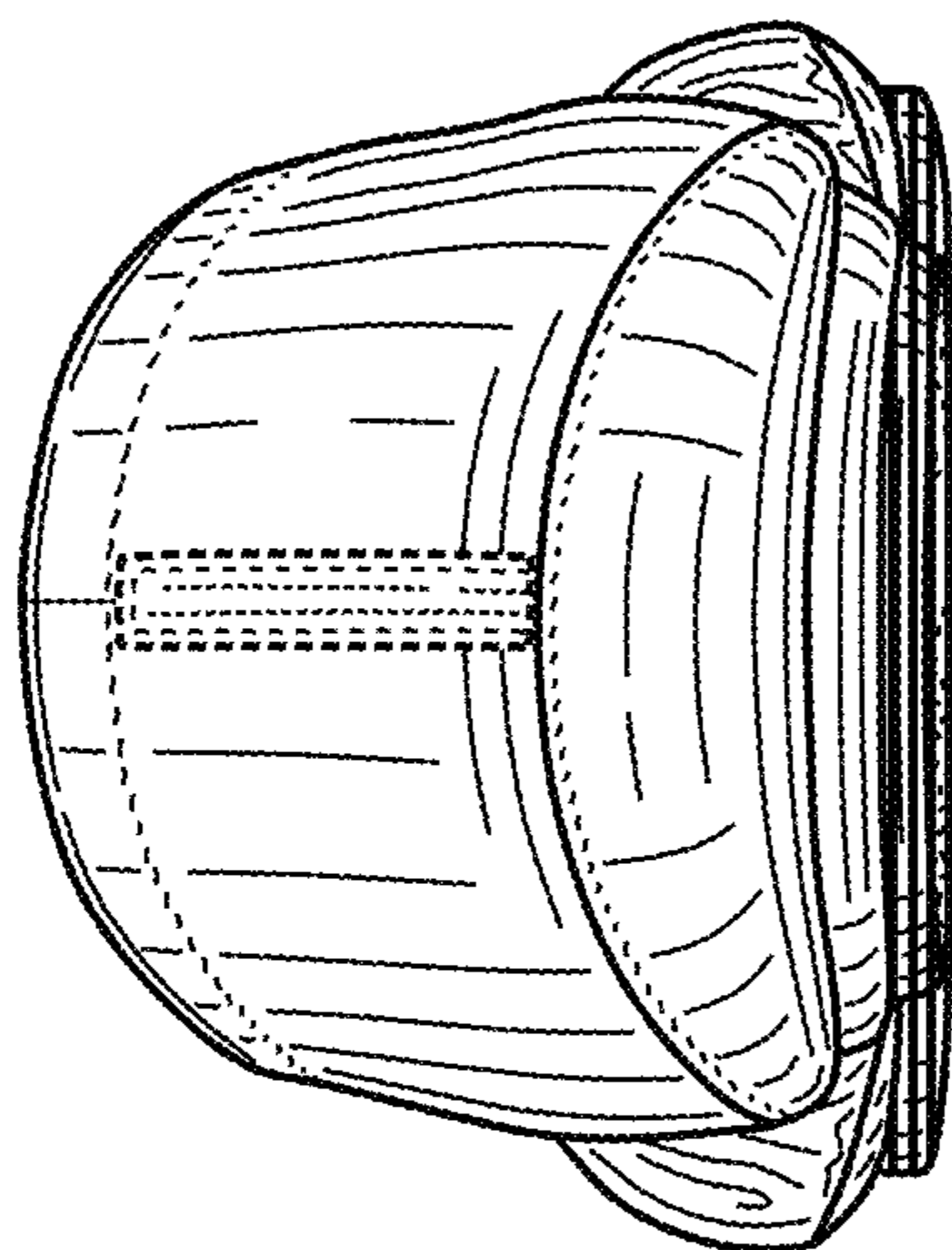


FIG. 15

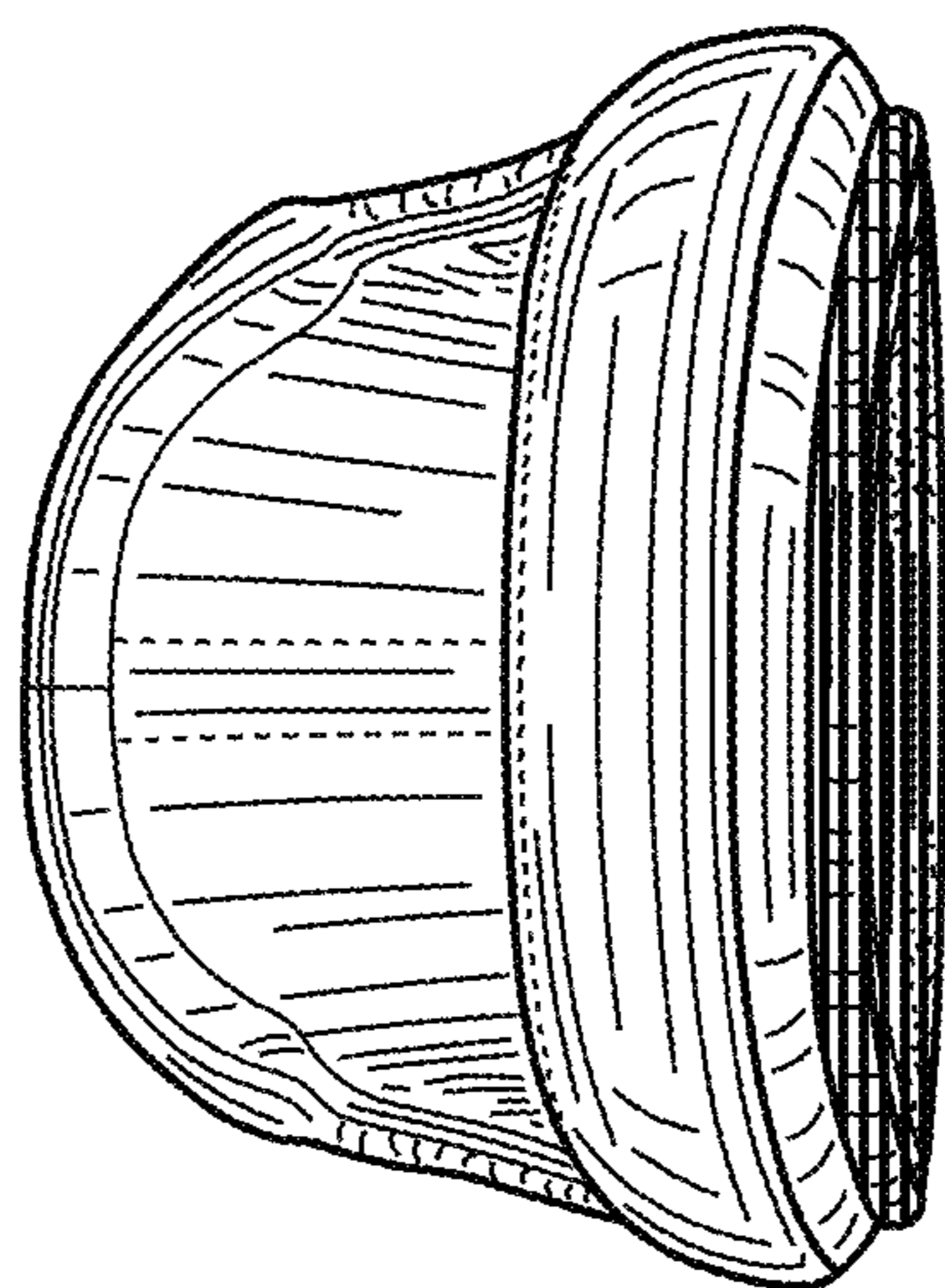


FIG. 14

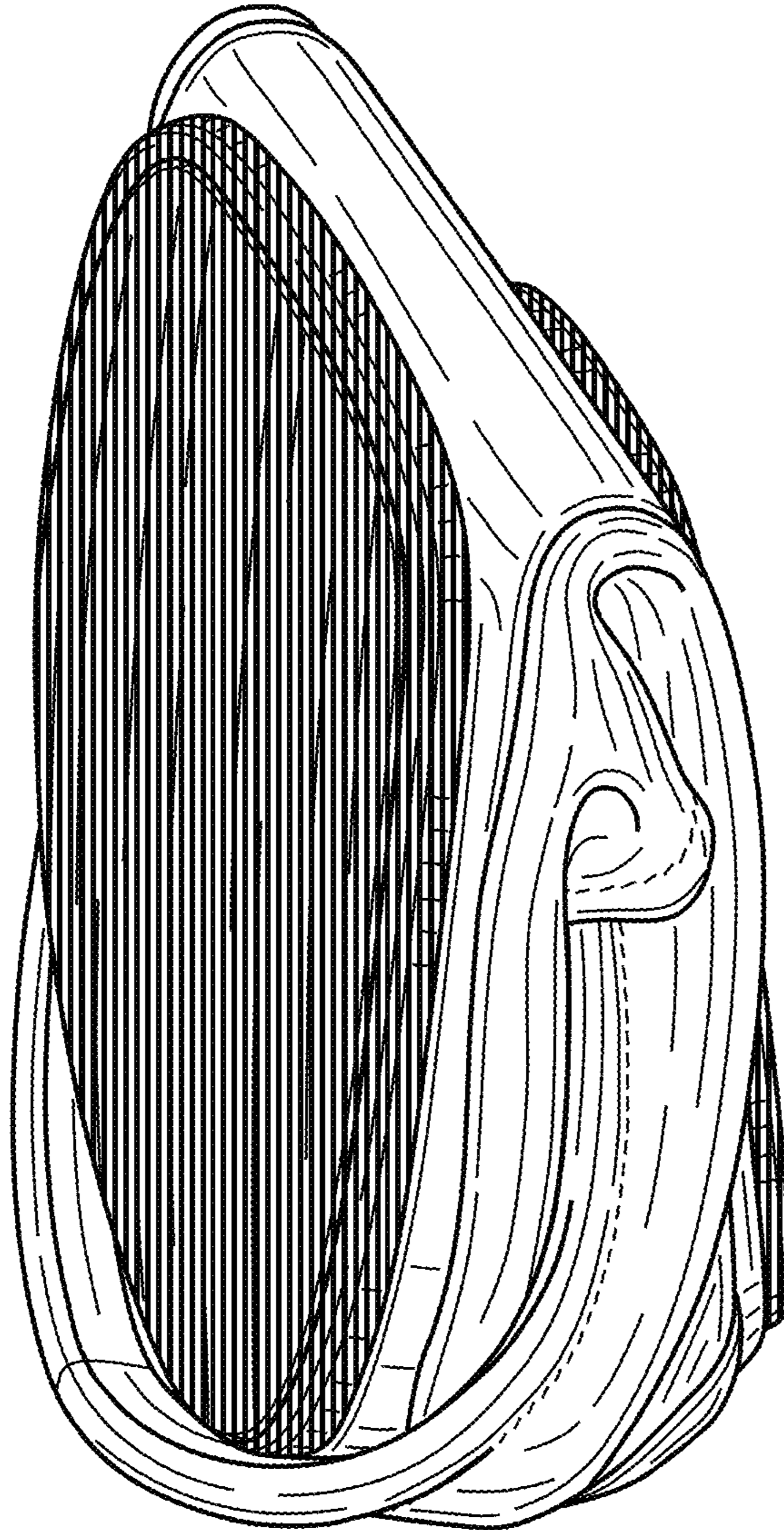


FIG. 16



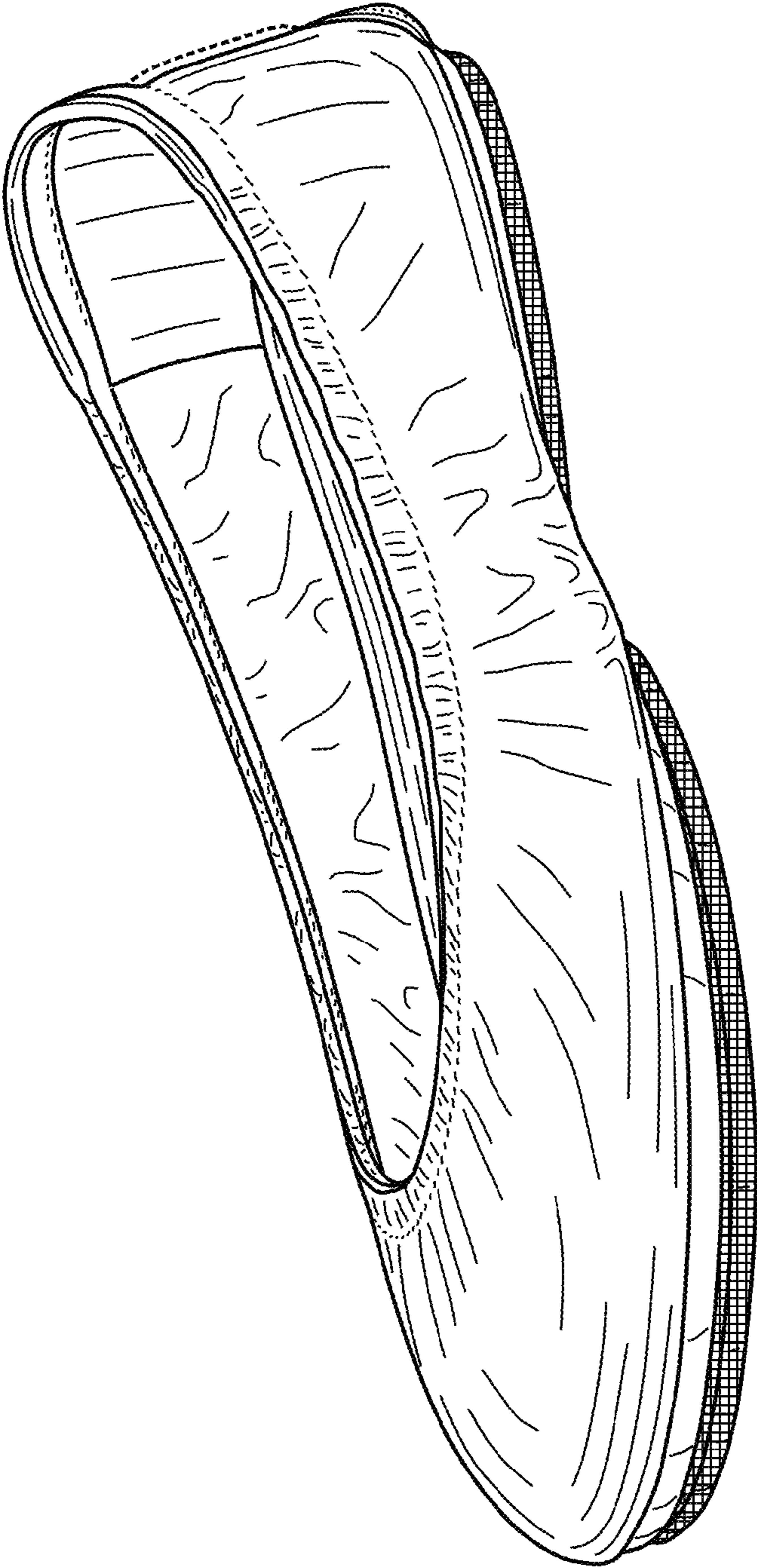


FIG. 17

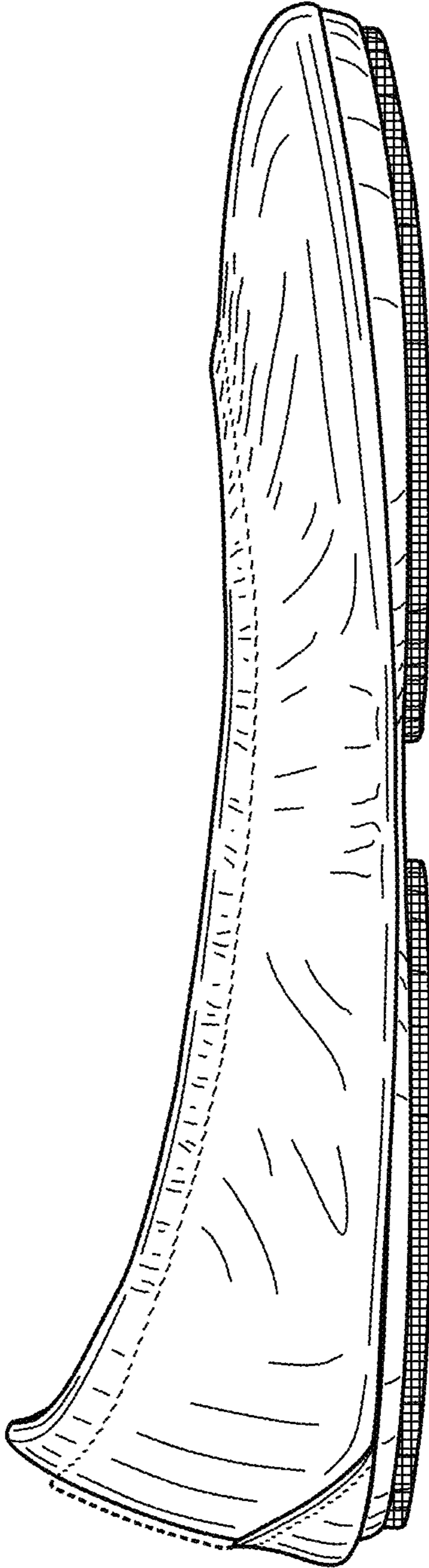


FIG. 18

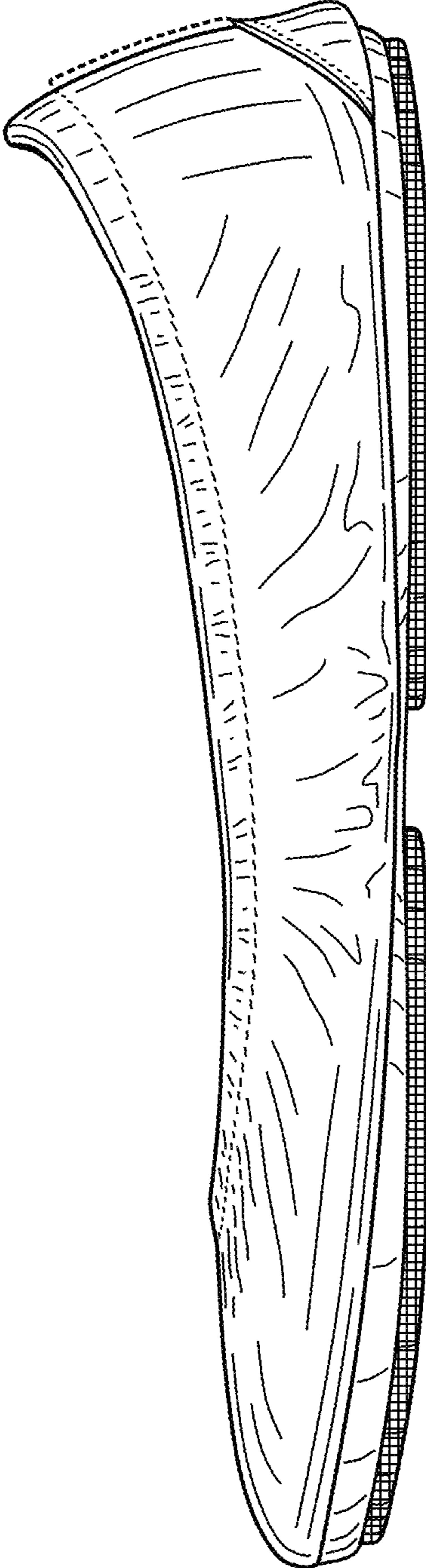


FIG. 19

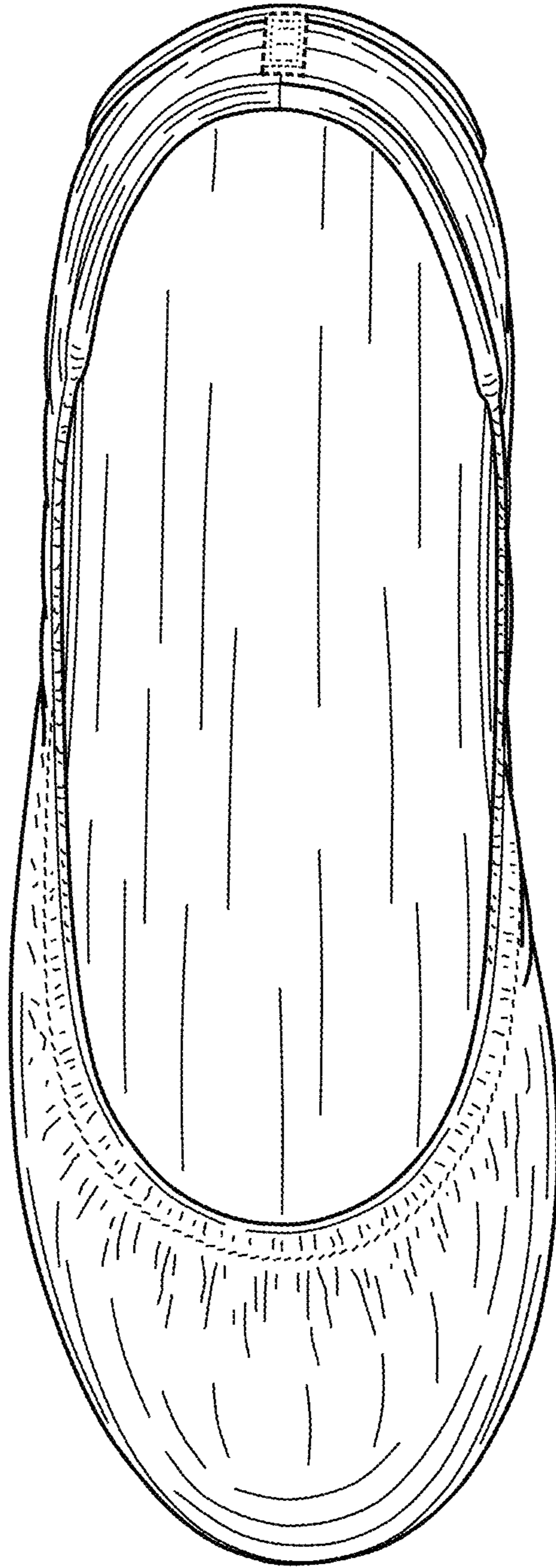


FIG. 20

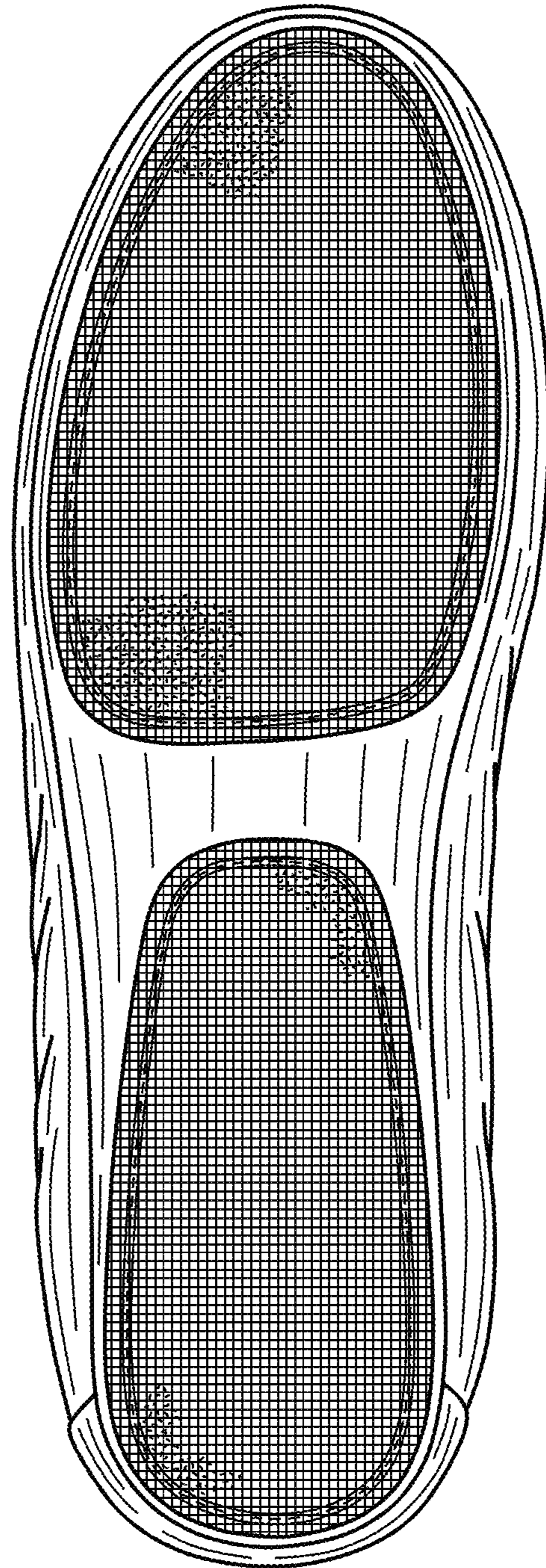


FIG. 21

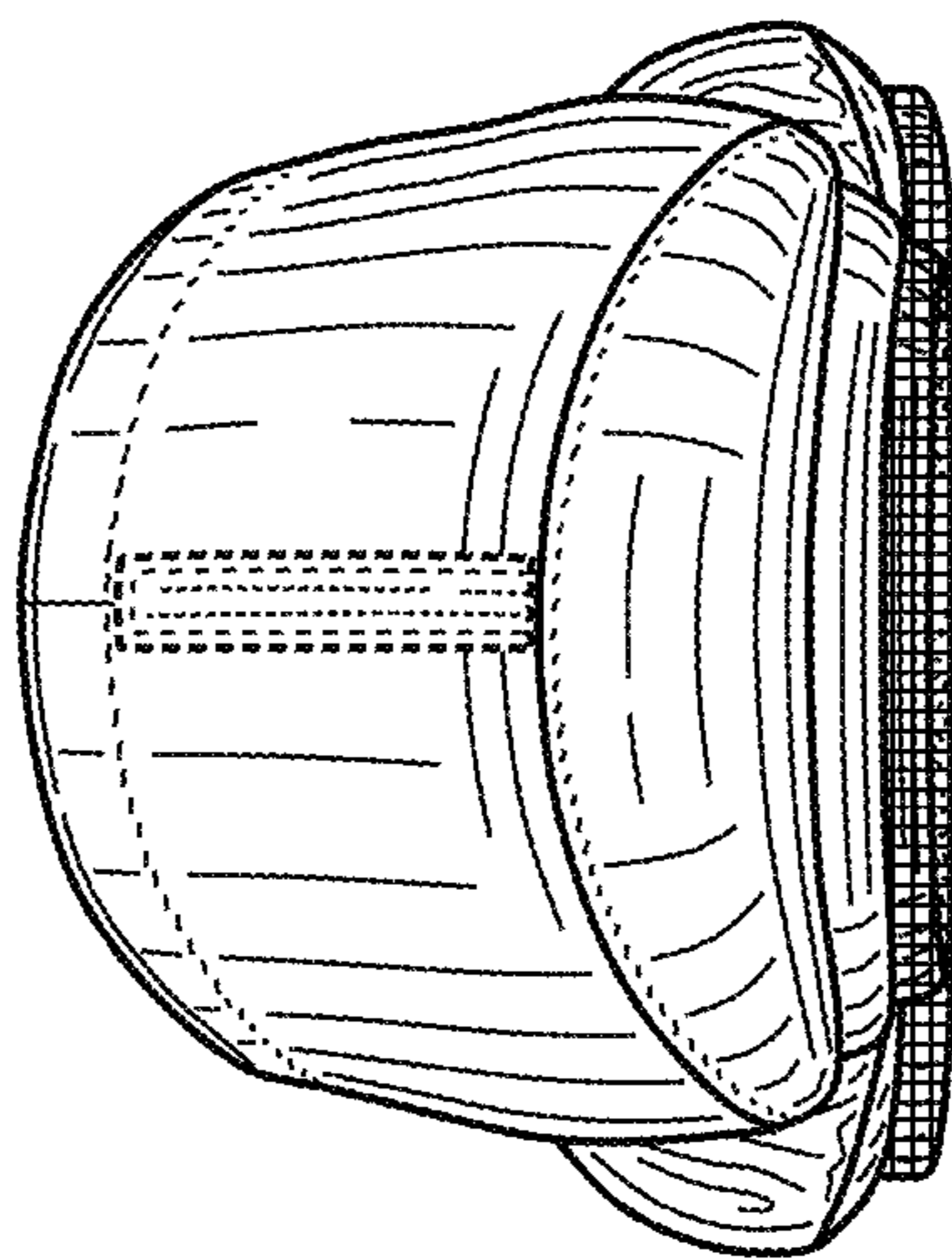


FIG. 23

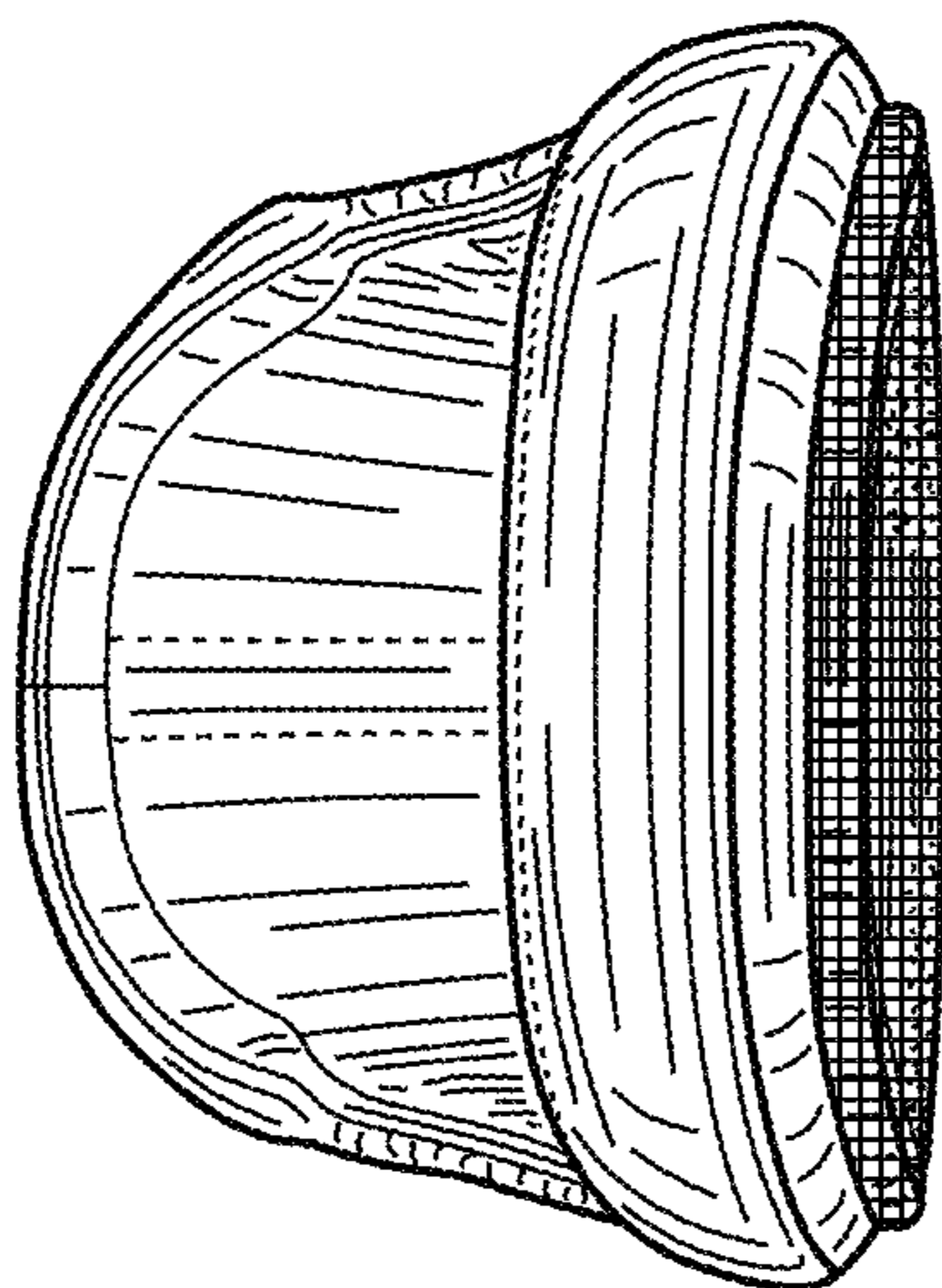


FIG. 22

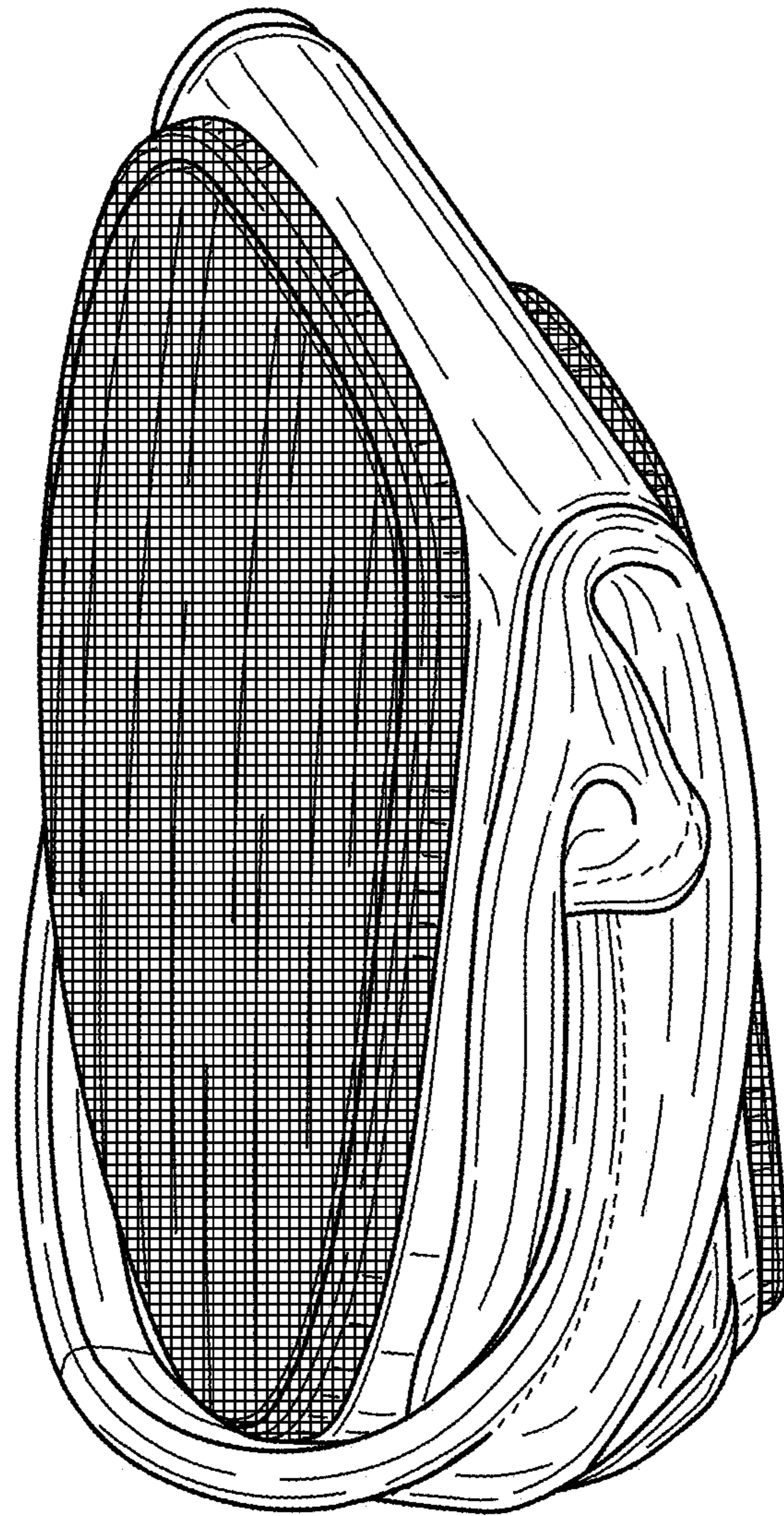


FIG. 24