



US00D688854S

(12) **United States Design Patent**  
**Gavrieli et al.**

(10) **Patent No.:** **US D688,854 S**  
(45) **Date of Patent:** **\*\* Sep. 3, 2013**

- (54) **SPLIT-SOLE SHOE WITH BLUE STRIPE, BLUE SOLES, AND BROWN MIDSOLES**
- (71) Applicant: **Gavrieli Brands LLC**, Beverly Hills, CA (US)
- (72) Inventors: **Kfir Gavrieli**, Los Angeles, CA (US); **Dikla Gavrieli**, Los Angeles, CA (US)
- (73) Assignee: **Gavrieli Brands LLC**, Beverly Hills, CA (US)

- (\*\*) Term: **14 Years**
- (21) Appl. No.: **29/437,397**
- (22) Filed: **Nov. 15, 2012**

**Related U.S. Application Data**

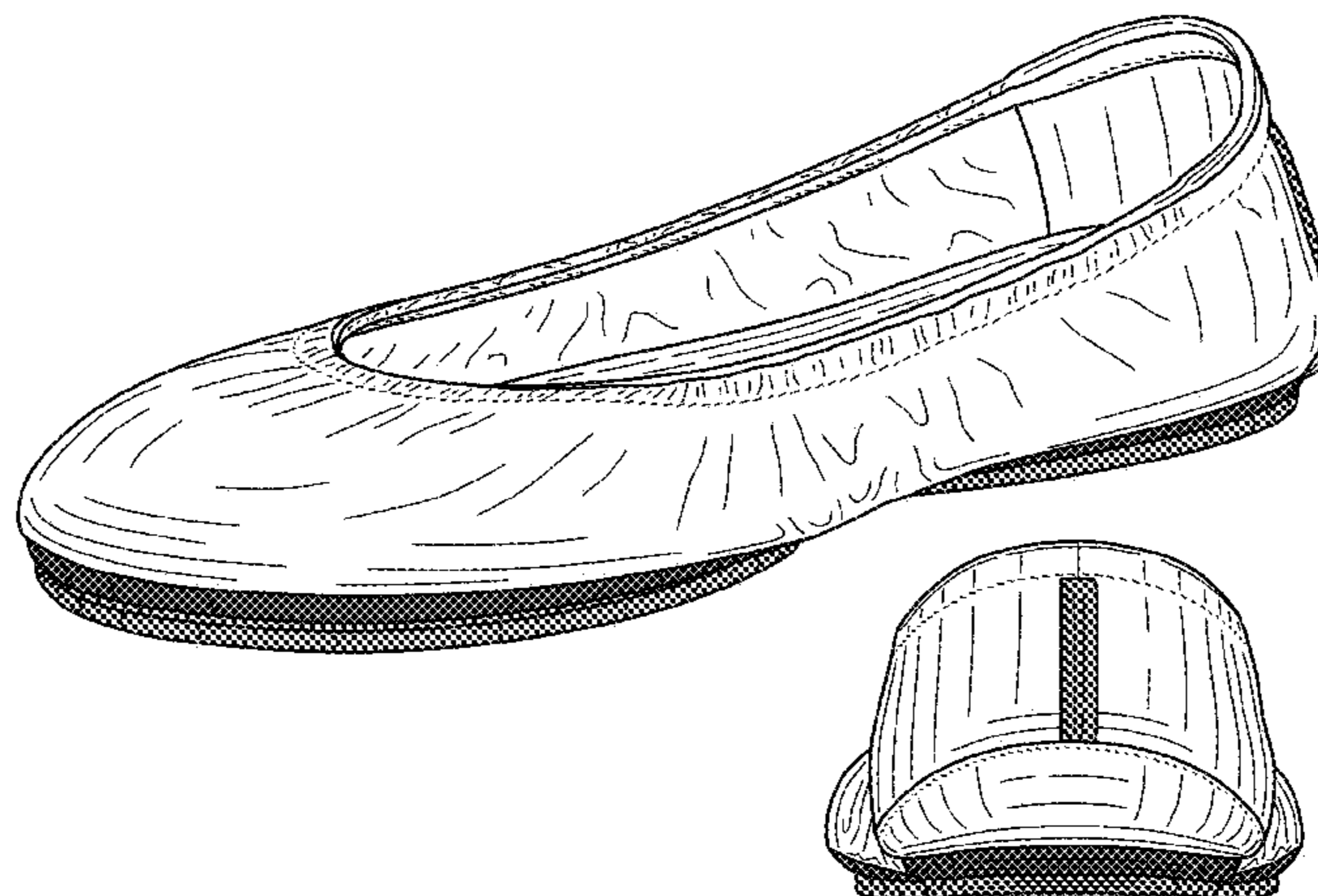
- (63) Continuation of application No. 13/207,397, filed on Aug. 10, 2011.
- (51) **LOC (9) Cl.** ..... **02-04**
- (52) **U.S. Cl.**  
USPC ..... **D2/939; D2/925**
- (58) **Field of Classification Search**  
USPC ..... D2/896, 900, 919-921, 925-942, D2/946, 949, 950, 969, 971; 36/1, 83, 8.1-8.3, 36/9 R, 45-58, 104, 108, 76 R  
See application file for complete search history.

(56) **References Cited**

**U.S. PATENT DOCUMENTS**

- 1,525,848 A \* 2/1925 Bonaventure ..... 36/8.3
- 1,587,377 A 6/1926 Grosjean
- 1,650,466 A 11/1927 Righter
- 2,268,777 A 1/1942 Scholl
- D133,819 S \* 9/1942 Harris ..... D2/939
- D149,685 S \* 5/1948 Sandler ..... D2/935
- D150,729 S \* 8/1948 Sandler ..... D2/927
- D166,090 S \* 3/1952 Maling ..... D2/897
- 2,904,814 A 9/1959 Scholl
- D200,897 S \* 4/1965 Mitchell ..... D2/919
- D247,396 S \* 3/1978 Schlerth ..... D2/939
- D295,692 S \* 5/1988 Zuidema et al. .... D2/950
- D300,085 S 3/1989 Ito et al.

- D316,773 S 5/1991 Valle
- D339,669 S \* 9/1993 Miller ..... D2/919
- D341,022 S 11/1993 Zona
- D351,719 S 10/1994 Piotrowicz
- D396,341 S 7/1998 Lozano et al.
- D397,238 S 8/1998 Lozano et al.
- 6,338,207 B1 1/2002 Chang
- D457,292 S \* 5/2002 Sessa ..... D2/949
- D461,947 S 8/2002 Merceron
- D476,798 S 7/2003 Reynolds et al.
- D498,041 S 11/2004 McClaskie
- D500,191 S \* 12/2004 Belley et al. .... D2/969
- D501,706 S 2/2005 McClaskie
- D527,513 S \* 9/2006 Della Valle ..... D2/919
- D531,790 S 11/2006 Wurzburg
- D534,341 S \* 1/2007 Choi ..... D2/971
- D542,513 S 5/2007 Amado et al.
- D570,488 S 6/2008 Kirksey et al.
- D571,548 S 6/2008 Seamans
- D571,989 S 7/2008 Siegal
- D576,397 S 9/2008 Couder
- D580,640 S 11/2008 Wurzburg
- D582,638 S 12/2008 Ringholz
- 7,506,459 B2 3/2009 Grisoni et al.
- D591,031 S 4/2009 Cofinco
- D593,295 S \* 6/2009 Belley et al. .... D2/969
- D593,297 S \* 6/2009 Belley et al. .... D2/969
- D593,307 S \* 6/2009 Belley et al. .... D2/969
- D599,093 S \* 9/2009 Issler ..... D2/971
- D604,030 S 11/2009 Wilson
- D607,194 S 1/2010 Zagula
- D610,332 S 2/2010 Raichle
- D610,785 S 3/2010 Smith
- D612,140 S 3/2010 Moon
- D612,141 S 3/2010 Moon
- 7,735,244 B1 6/2010 Ameche
- D632,881 S 2/2011 Rosenberg
- D634,528 S 3/2011 Oldenburg
- D635,752 S 4/2011 Shea
- D640,861 S 7/2011 Wilkenfeld
- D655,076 S 3/2012 Rosenberg
- D664,755 S 8/2012 Gavrieli et al.
- 8,245,420 B2 8/2012 Wilson
- D668,027 S 10/2012 Millieret
- D668,438 S 10/2012 Millieret
- D668,847 S 10/2012 Gavrieli et al.
- D668,848 S 10/2012 Gavrieli et al.
- D669,674 S 10/2012 Vidal
- D672,542 S 12/2012 Gray et al.
- D676,634 S 2/2013 Gavrieli et al.
- 2004/0025377 A1 2/2004 Brannon
- 2006/0026868 A1 2/2006 Grisoni
- 2006/0086005 A1 4/2006 Yerianm



2007/0620664		3/2007	McClaskie
2009/0193685	A1	8/2009	Wilson
2009/0272009	A1	11/2009	Weisner et al.
2010/0018080	A1	1/2010	Smith
2010/0115793	A1	5/2010	Kraisosky
2011/0214312	A1	9/2011	Krikelis

FOREIGN PATENT DOCUMENTS

DE	20 2006 00023	5/2007
GB	2 446 205 A	8/2008

OTHER PUBLICATIONS

Examination Report for AU 341324, dated Oct. 24, 2012.  
 The Love List, "Tieks by Gavrieli—Foldable Ballet Flats", Sep. 12, 2010. <http://thelovelist-carly.blogspot.com.au/2010/09/tieks-by-gavrielli-foldable-ballet.html>.  
 Wearability—Real People Style, "What came first, the City Flat or the Tieks" Aug. 29, 2010, <http://wearability.posterous.com/what-came-first-the-city-flat-or-the-tieks>.  
 Try It Mummy!, Tieks by Gavrieli, Dec. 9, 2010, <http://tryitmummy.blogspot.com.au/2010/12/tieks-gavrieli.html>.  
 Letter from TMI and Associates with Office Action dated Sep. 19, 2012 with old URL <http://www.payless.com/store/?&TLC=Womens&SLC=WomensNewArrivals&BLC=WomensNewArrivalsNewArrivals&Width=Regular&ItemCode=60131&LotNumber=062642&Type=Adult&Popularity=637&Descriptivein>.  
 Taiwanese Office Action for TW 101300726, dated Sep. 6, 2012.

\* cited by examiner

*Primary Examiner* — Dominic Simone  
 (74) *Attorney, Agent, or Firm* — Morgan, Lewis & Bockius LLP

(57) **CLAIM**

An ornamental design for a split-sole shoe with blue stripe, blue soles, and brown midsoles, as shown and described.

**DESCRIPTION**

The file of this patent contains at least one drawing executed in color. Copies of this patent with color drawing(s) will be provided by the Office upon request and payment of the necessary fee.

FIG. 1 is a perspective view of an embodiment of our new design of a split-sole shoe with blue stripe, blue soles, and brown midsoles;

FIG. 2 is a first side view of the design of FIG. 1;  
 FIG. 3 is a second side view of the design of FIG. 1;  
 FIG. 4 is a top view of the design of FIG. 1;  
 FIG. 5 is a bottom view of the design of FIG. 1;  
 FIG. 6 is a front view of the design of FIG. 1;  
 FIG. 7 is a back view of the design of FIG. 1;  
 FIG. 8 is another perspective view of the design of FIG. 1, the perspective view illustrating this embodiment when it is placed in a folded configuration;  
 FIG. 9 is a perspective view of a second embodiment of our new design of a split-sole shoe with blue stripe, blue soles, and brown midsoles, where the blue portions are indicated using the USPTO convention of horizontal lines for blue, such as Pantone PMS 3242-3278, PMS 2905-2995, and 7453C-7472C, and wherein the brown portions are indicated using the USPTO convention of diagonal lines for brown, such as Pantone PMS 448-480, 719-732, and 7502C-7523C;  
 FIG. 10 is a first side view of the design of FIG. 9;  
 FIG. 11 is a second side view of the design of FIG. 9;  
 FIG. 12 is a top view of the design of FIG. 9;  
 FIG. 13 is a bottom view of the design of FIG. 9;  
 FIG. 14 is a front view of the design of FIG. 9;  
 FIG. 15 is a back view of the design of FIG. 9;  
 FIG. 16 is another perspective view of the design of FIG. 9, the perspective view illustrating the this embodiment when it is placed in a folded configuration;  
 FIG. 17 is a perspective view of a third-embodiment of our new design of a split-sole shoe with blue stripe, blue soles, and brown midsoles, where the blue portions are indicated using a checkered pattern to indicate the blue color Pantone 7466C, and wherein the brown portions are indicated using a dotted pattern to indicate a brown color such as Pantone PMS 448-480, 719-732, and 7502C-7523C;  
 FIG. 18 is a first side view of the design of FIG. 17;  
 FIG. 19 is a second side view of the design of FIG. 17;  
 FIG. 20 is a top view of the design of FIG. 17;  
 FIG. 21 is a bottom view of the design of FIG. 17;  
 FIG. 22 is a front view of the design of FIG. 17;  
 FIG. 23 is a back view of the design of FIG. 17; and,  
 FIG. 24 is another perspective view of the design of FIG. 17, the perspective view illustrating this embodiment when it is placed in a folded configuration.

**1 Claim, 21 Drawing Sheets**  
**(7 of 21 Drawing Sheet(s) Filed in Color)**

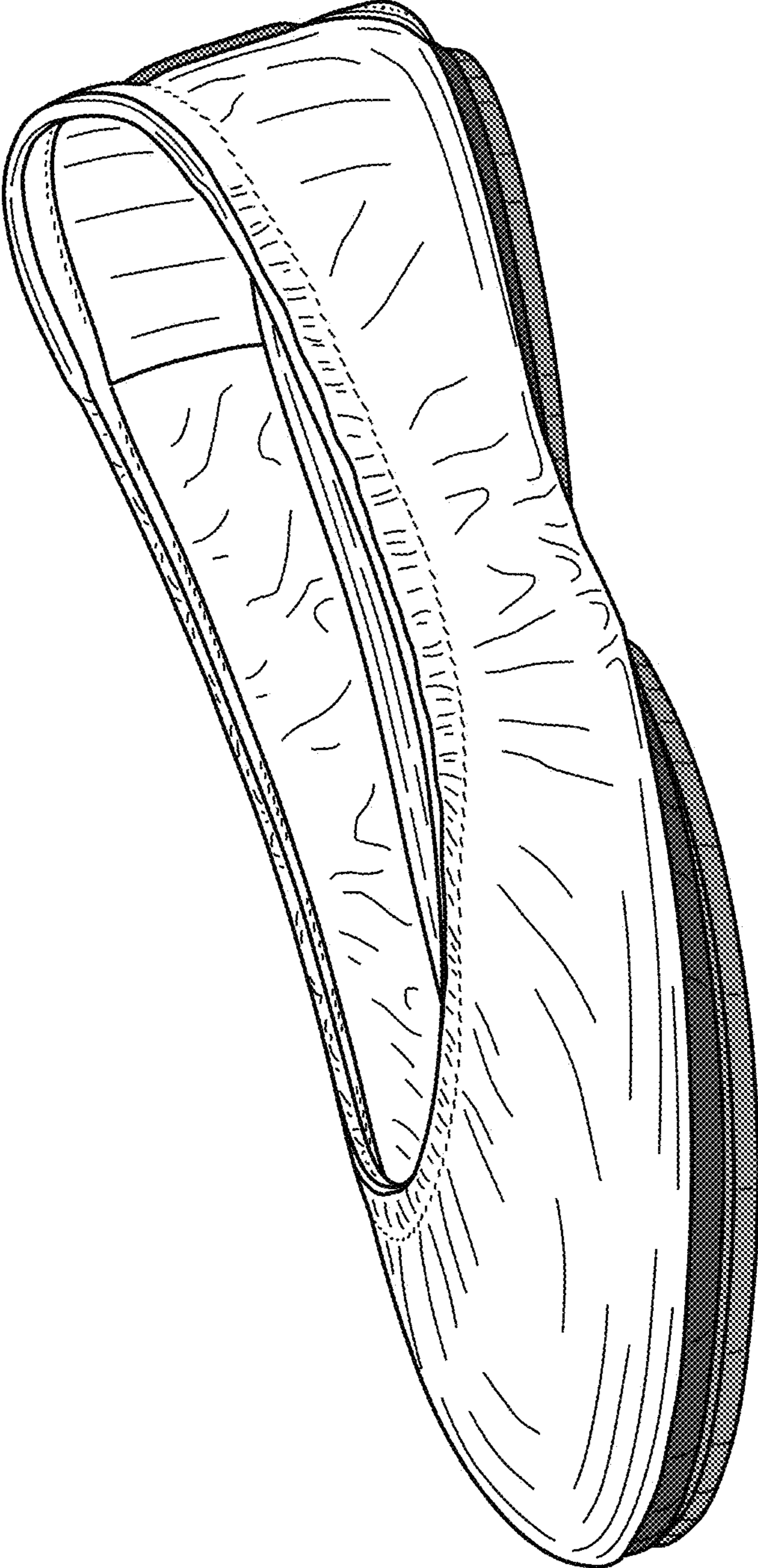


FIG. 1

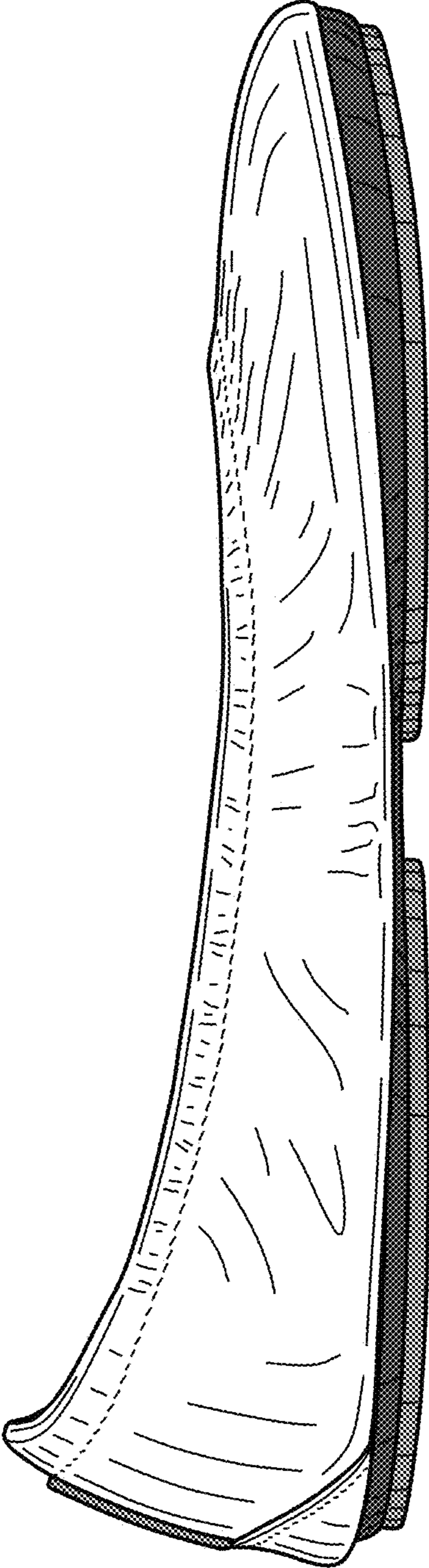


FIG. 2

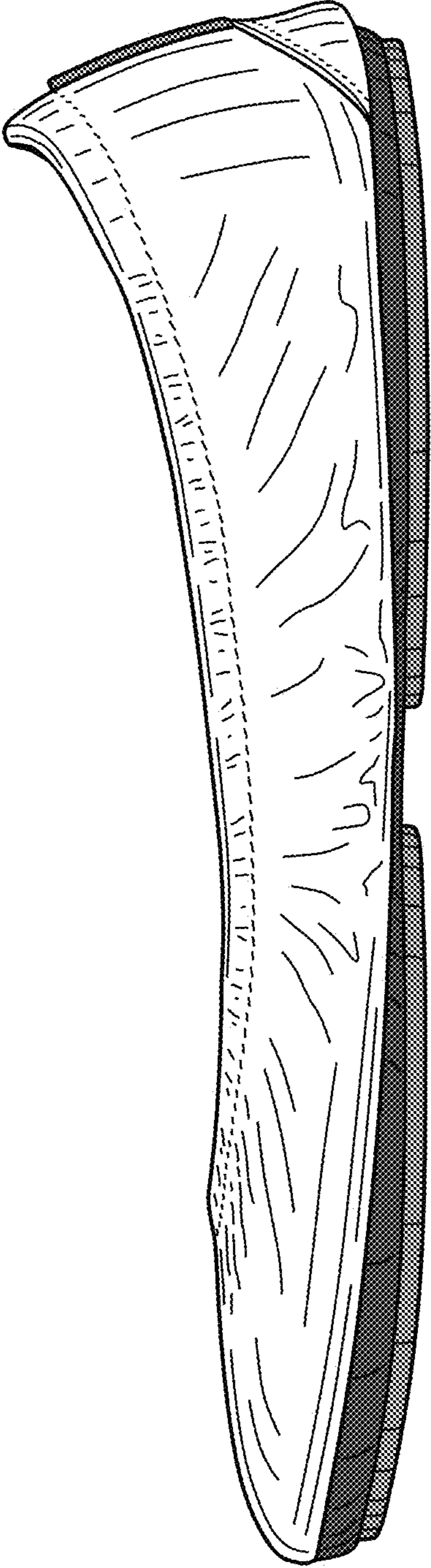


FIG. 3

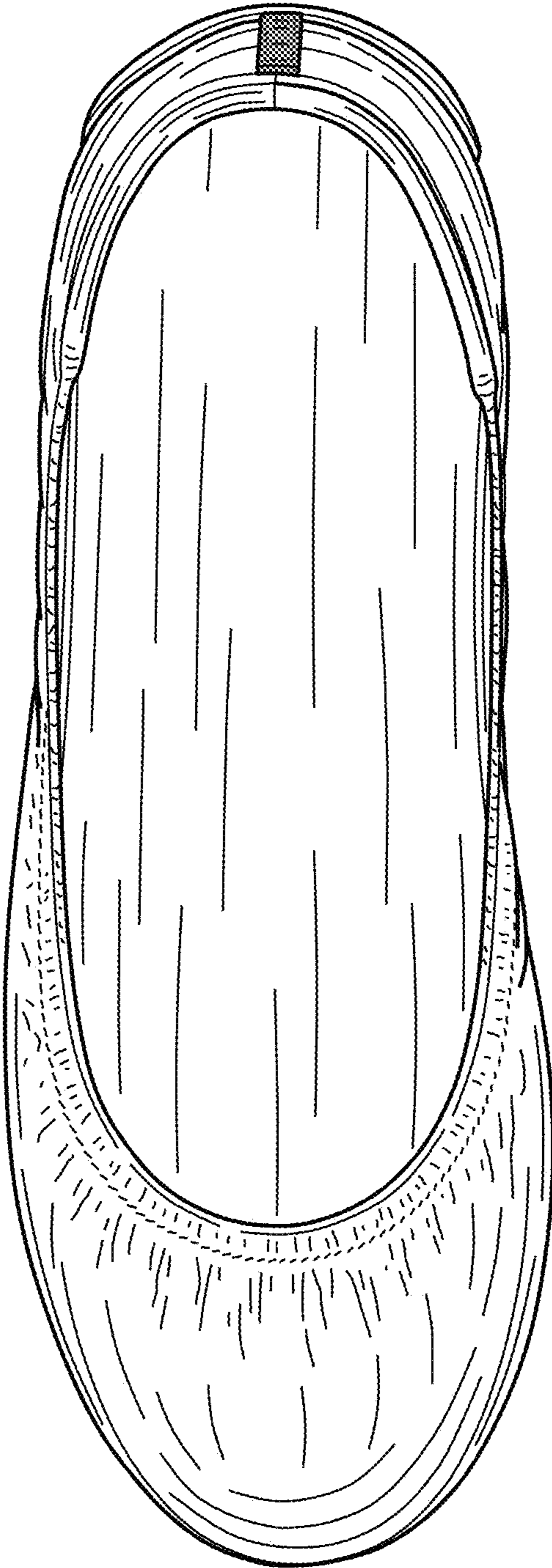


FIG. 4

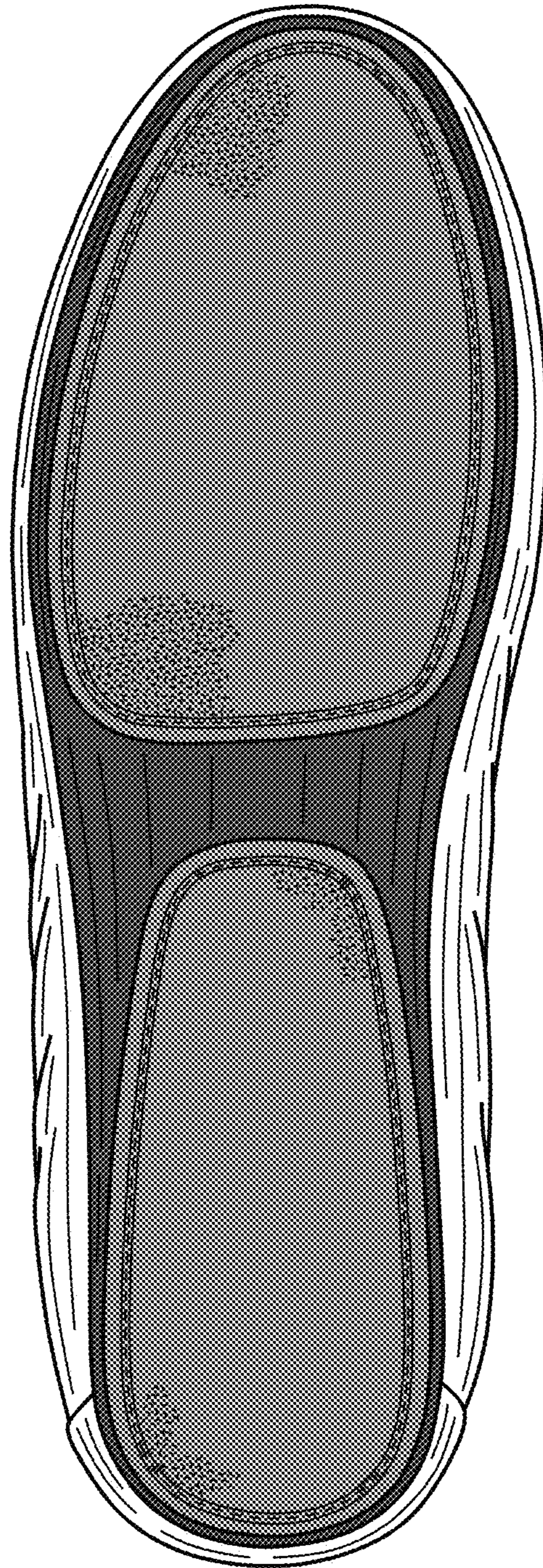


FIG. 5

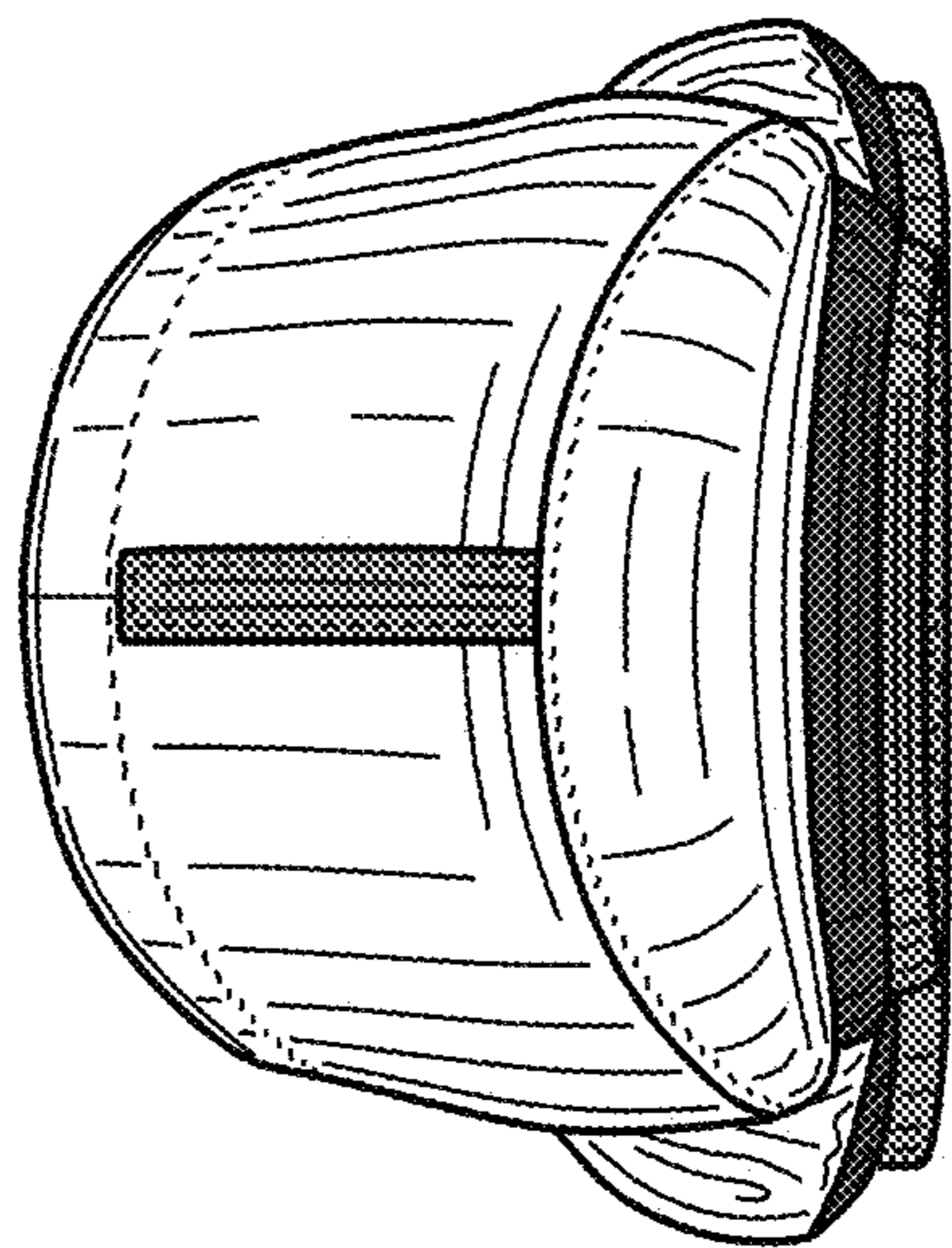


FIG. 7

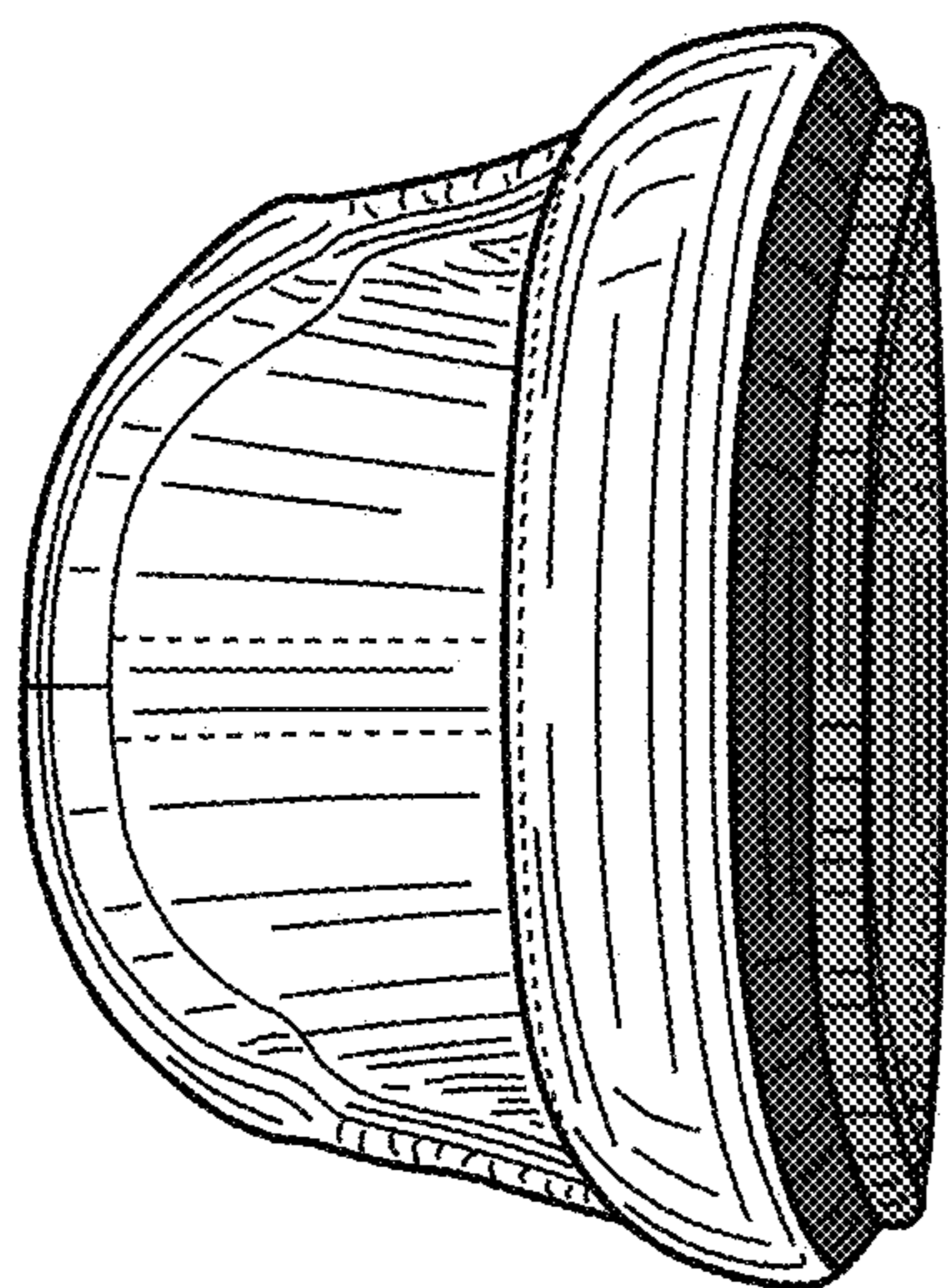


FIG. 6



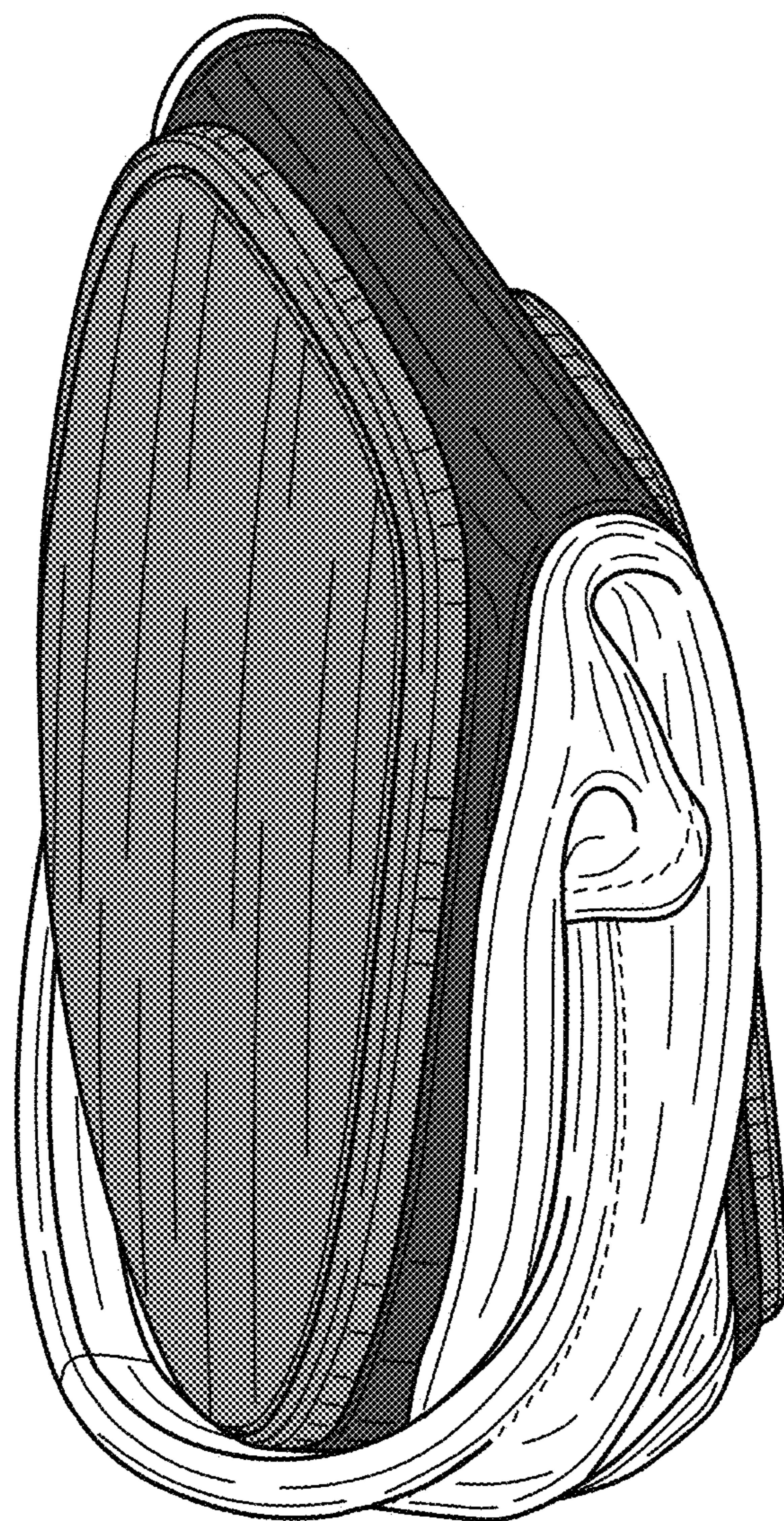


FIG. 8

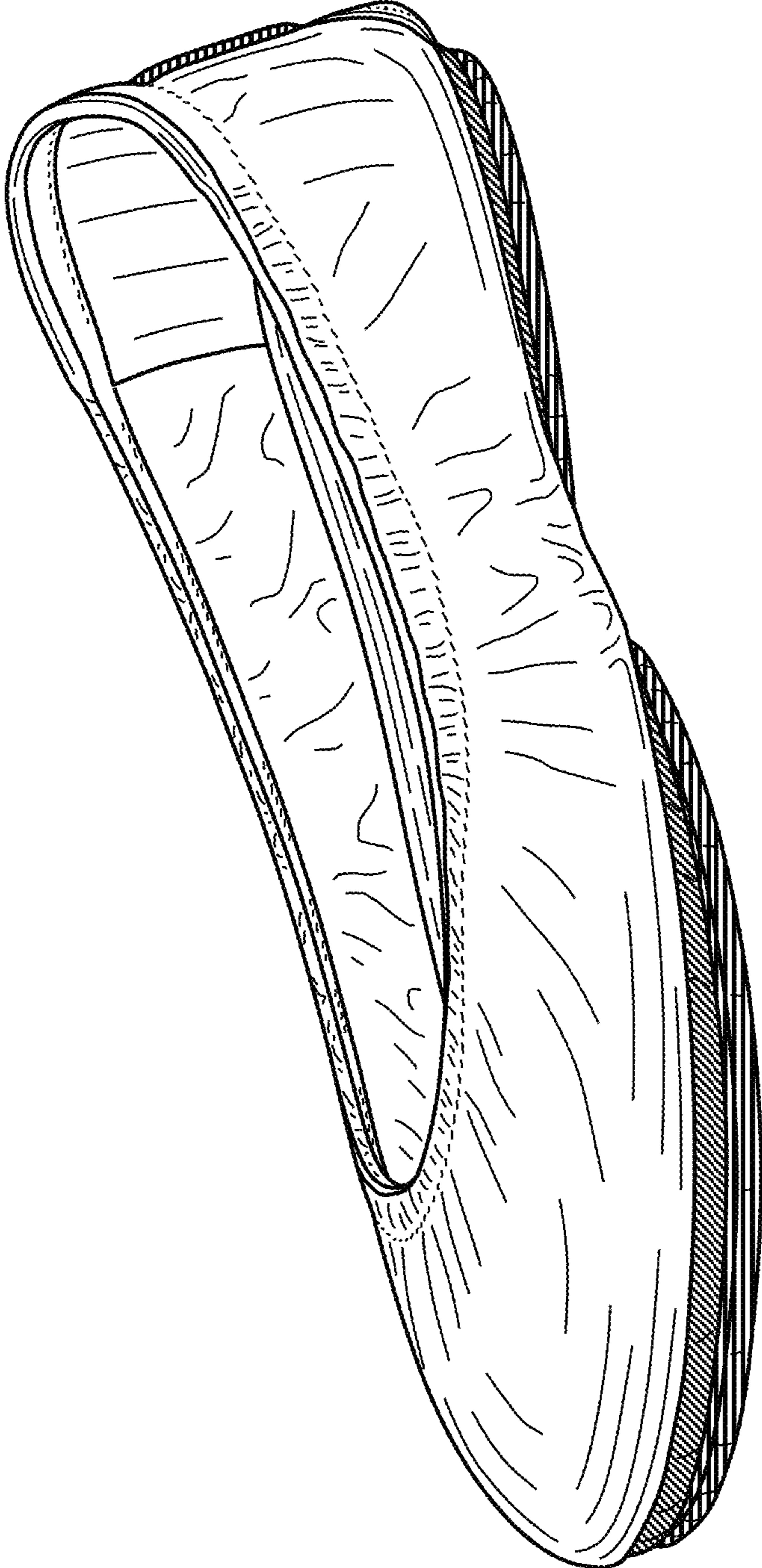


FIG. 9

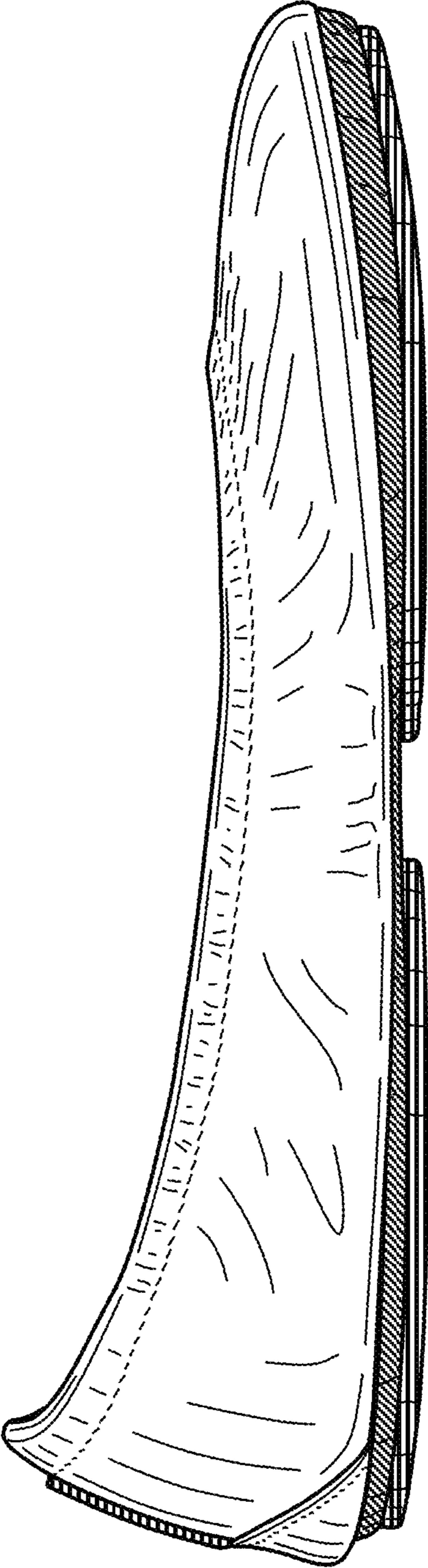


FIG. 10

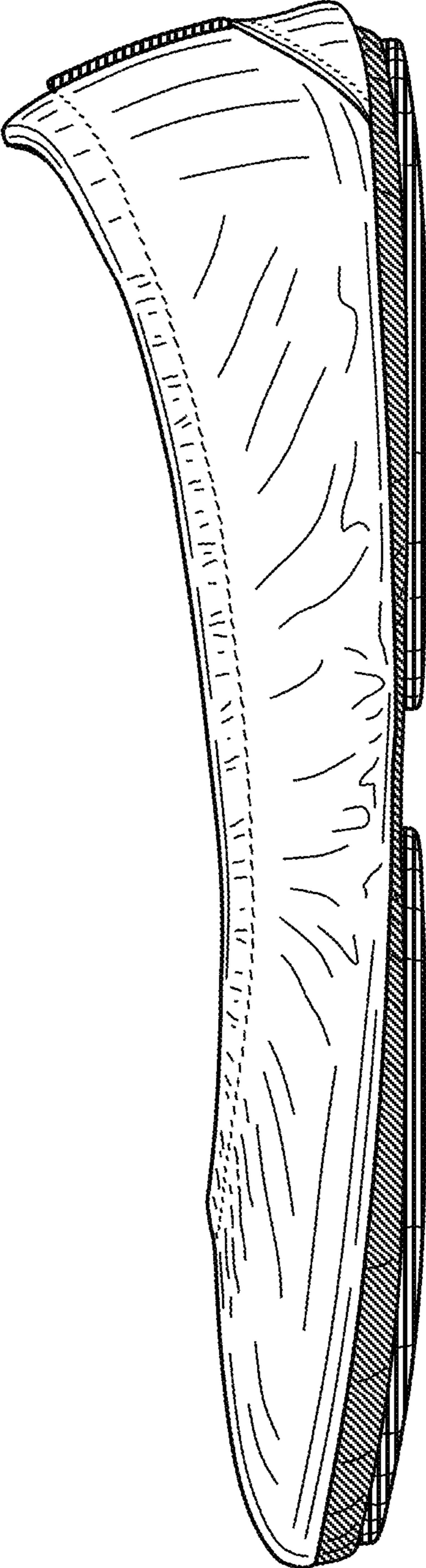


FIG. 11

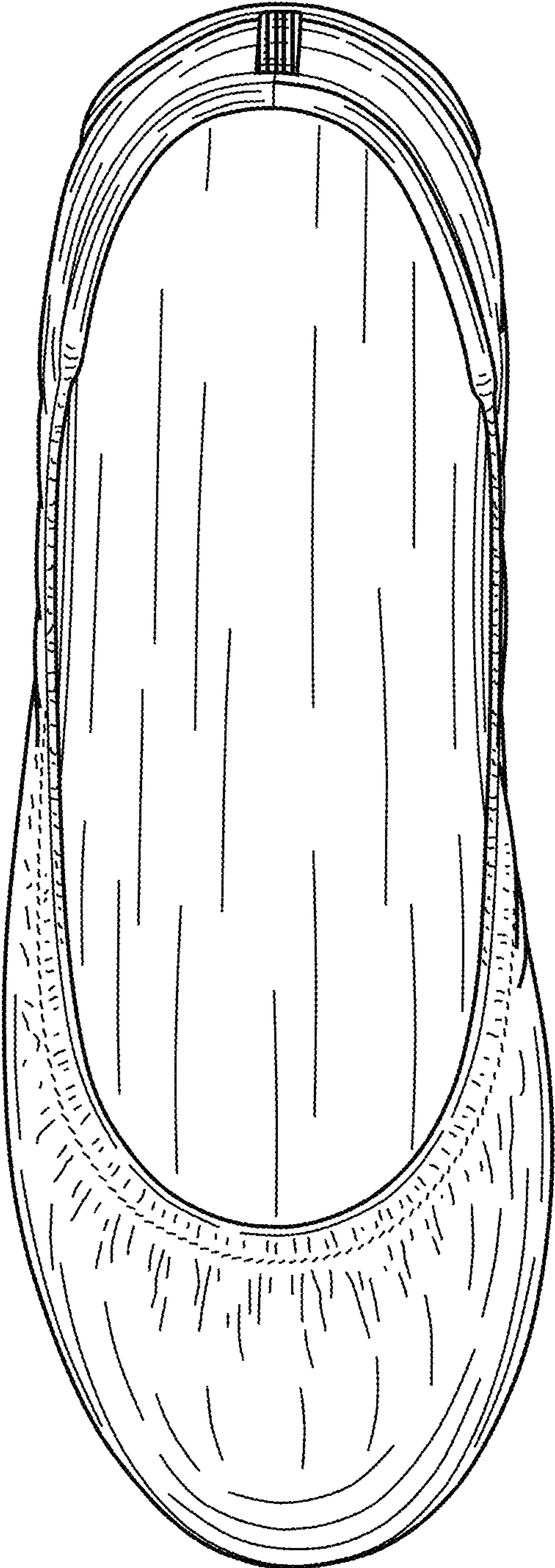


FIG. 12

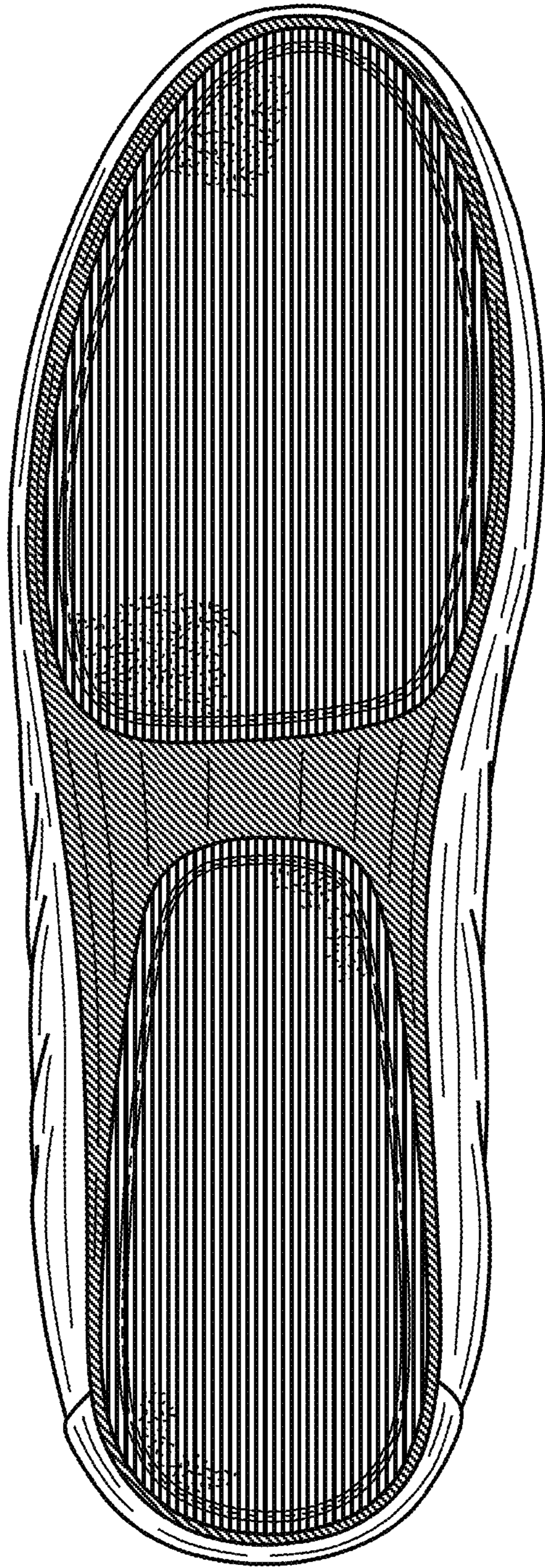


FIG. 13

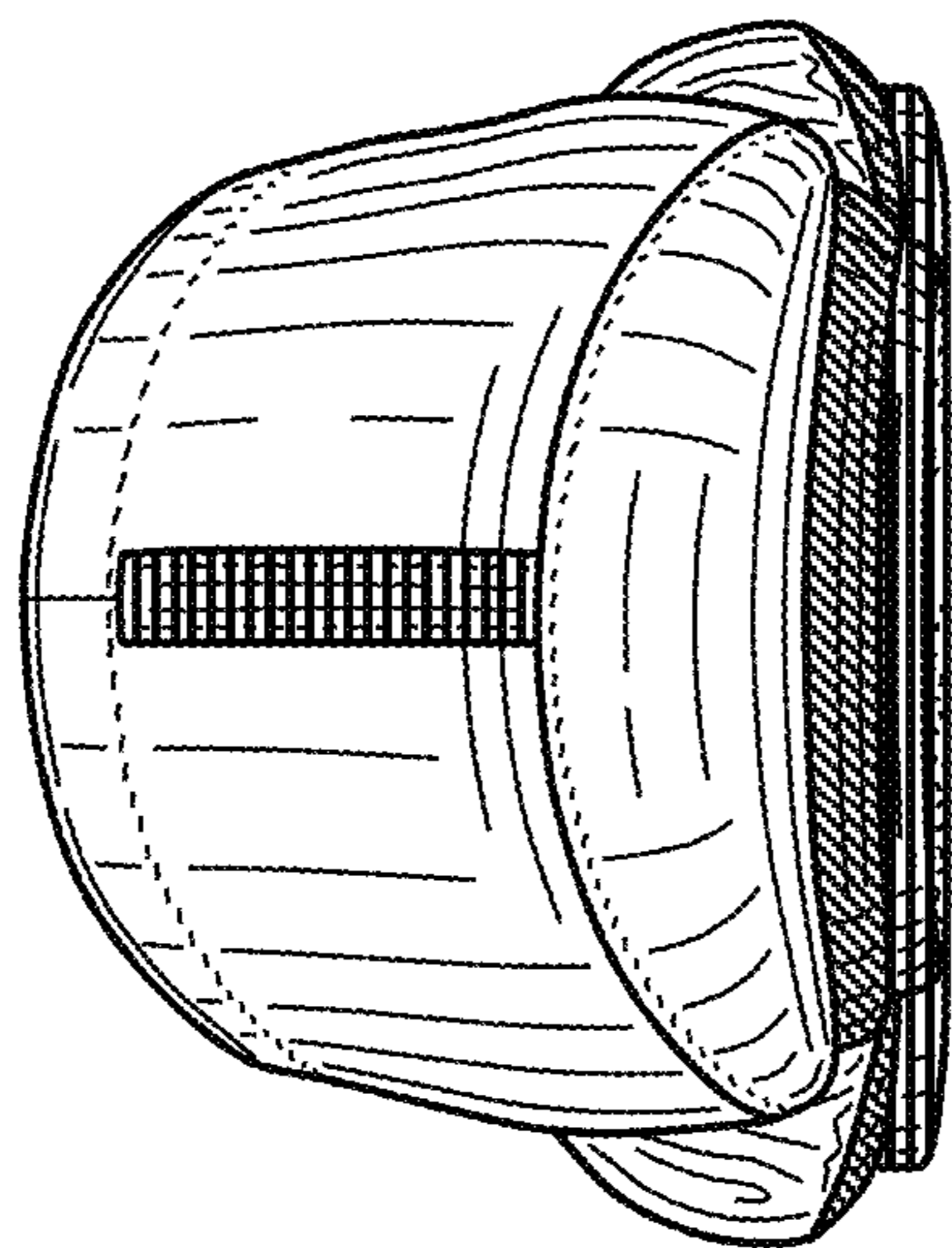


FIG. 15

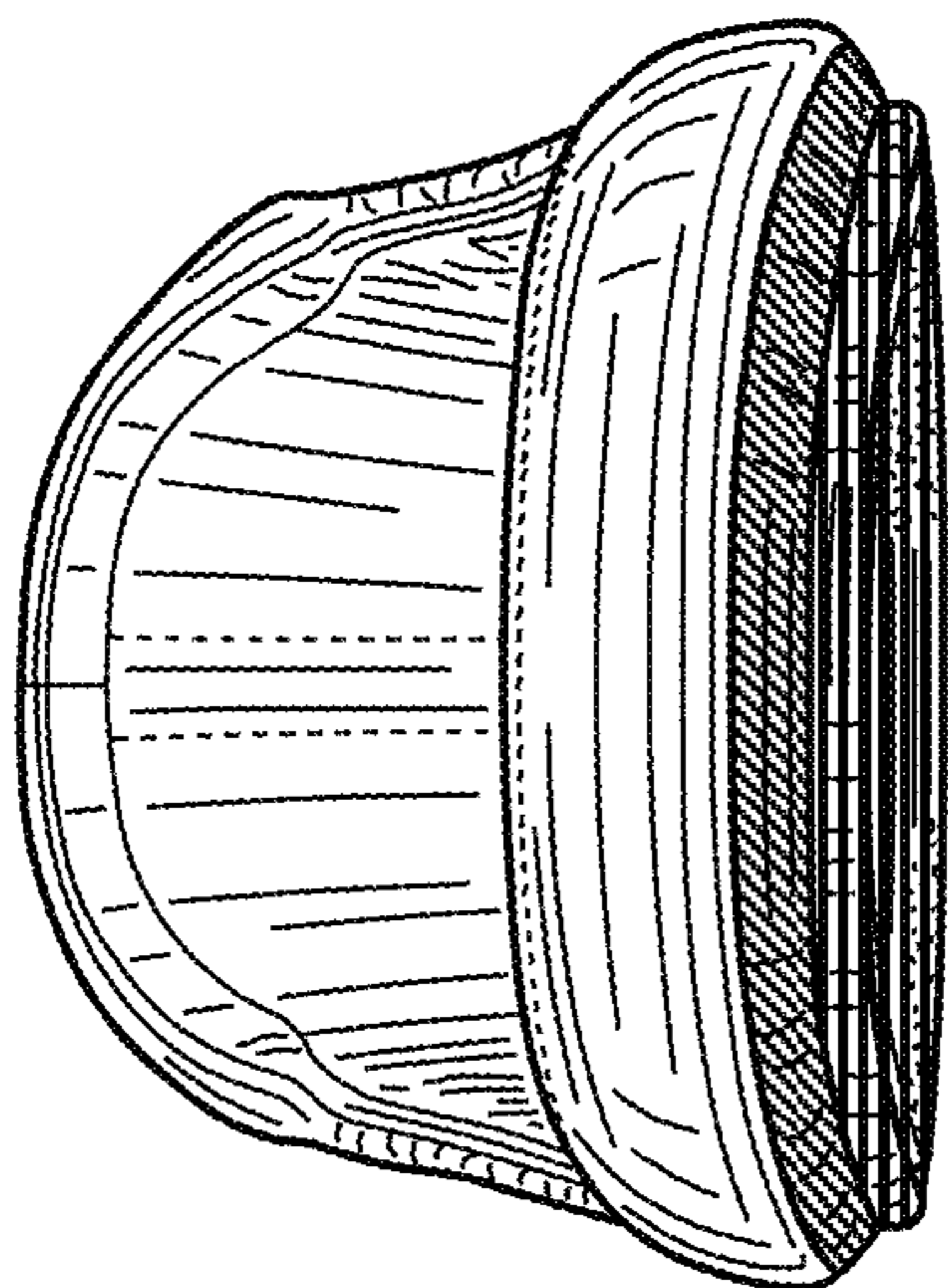


FIG. 14

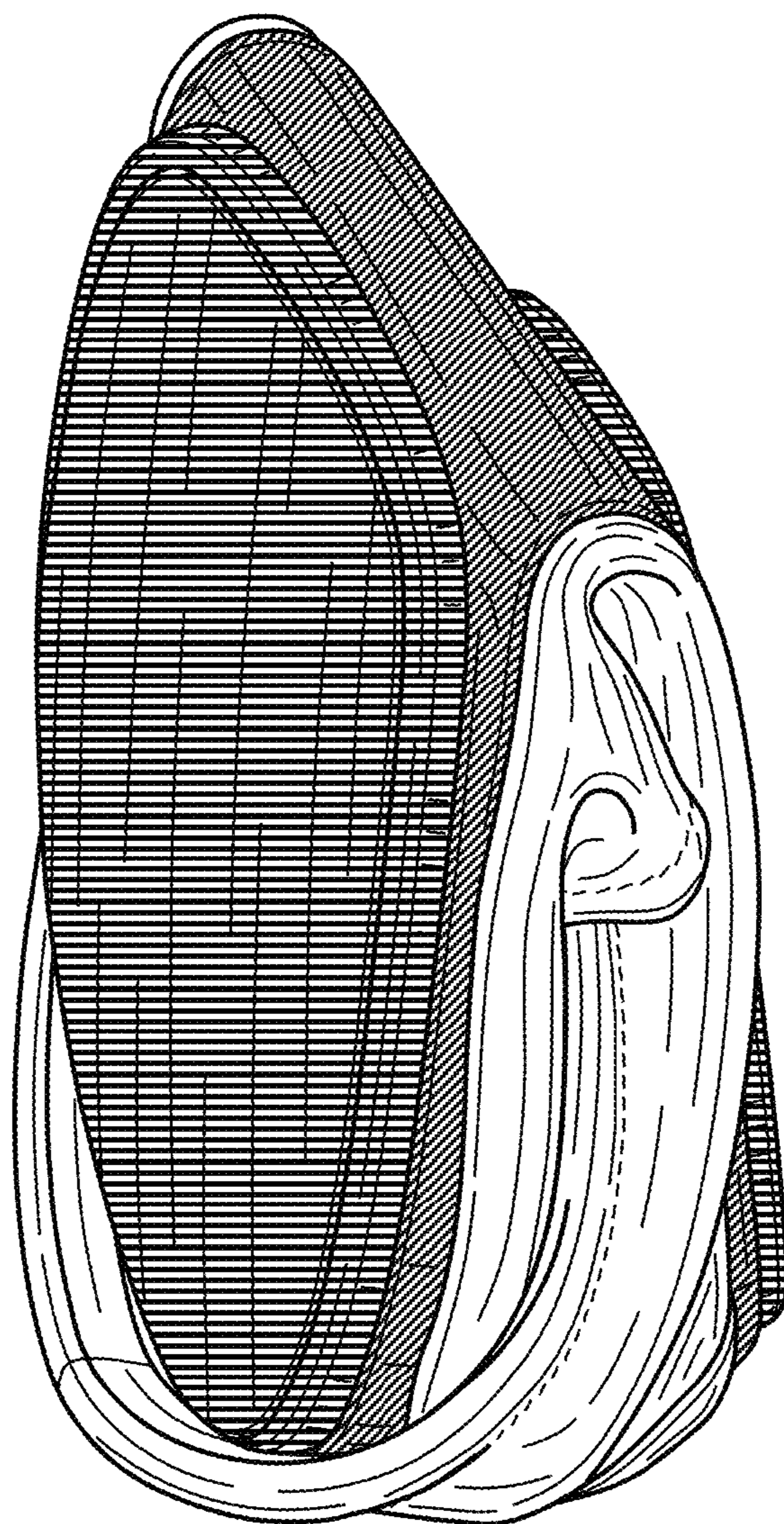


FIG. 16



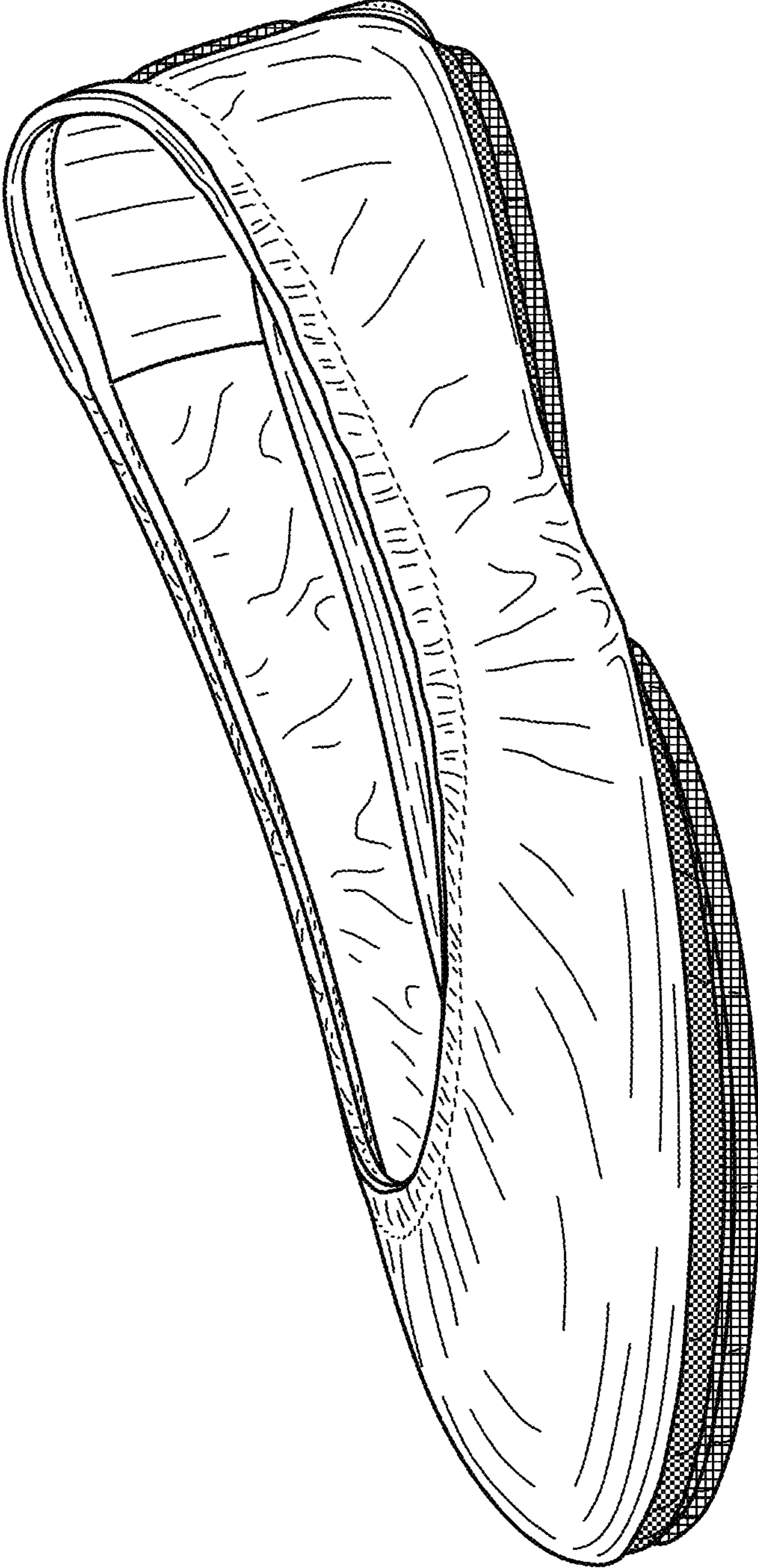


FIG. 17

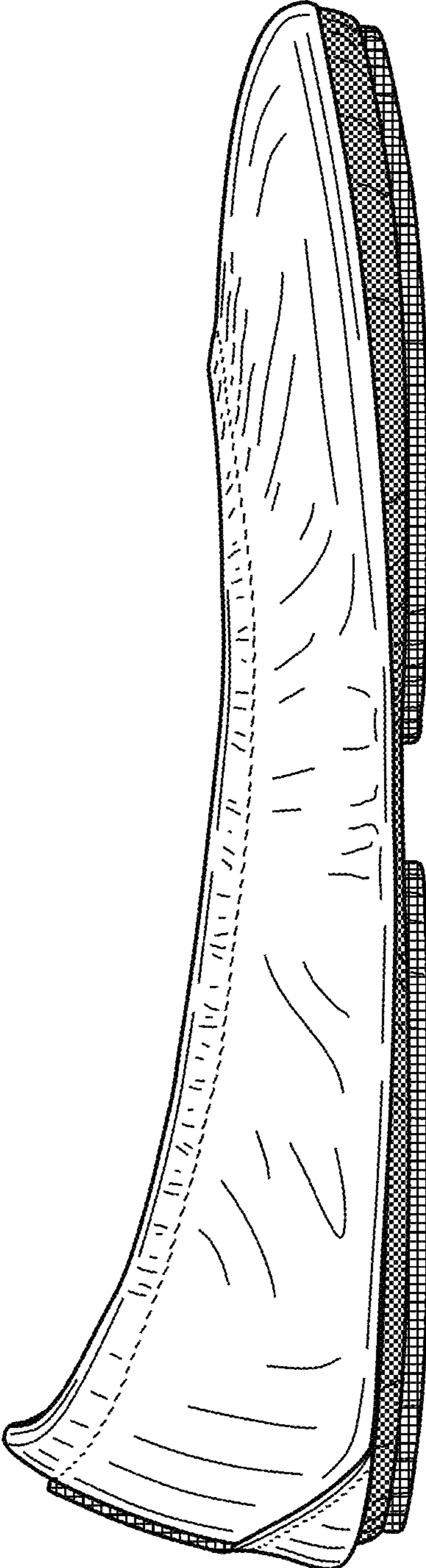


FIG. 18

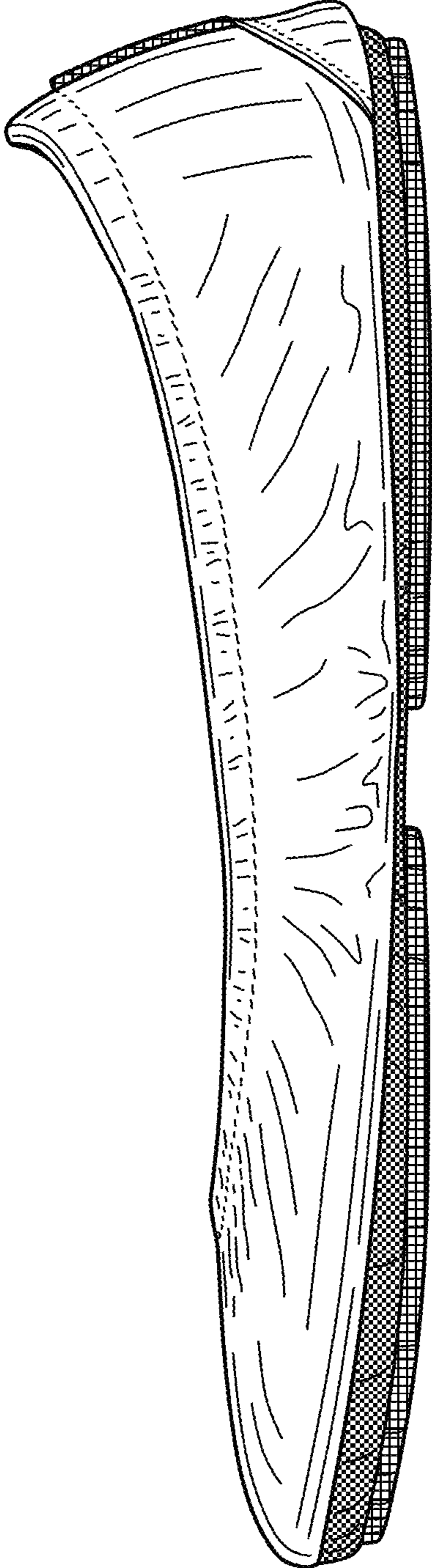


FIG. 19

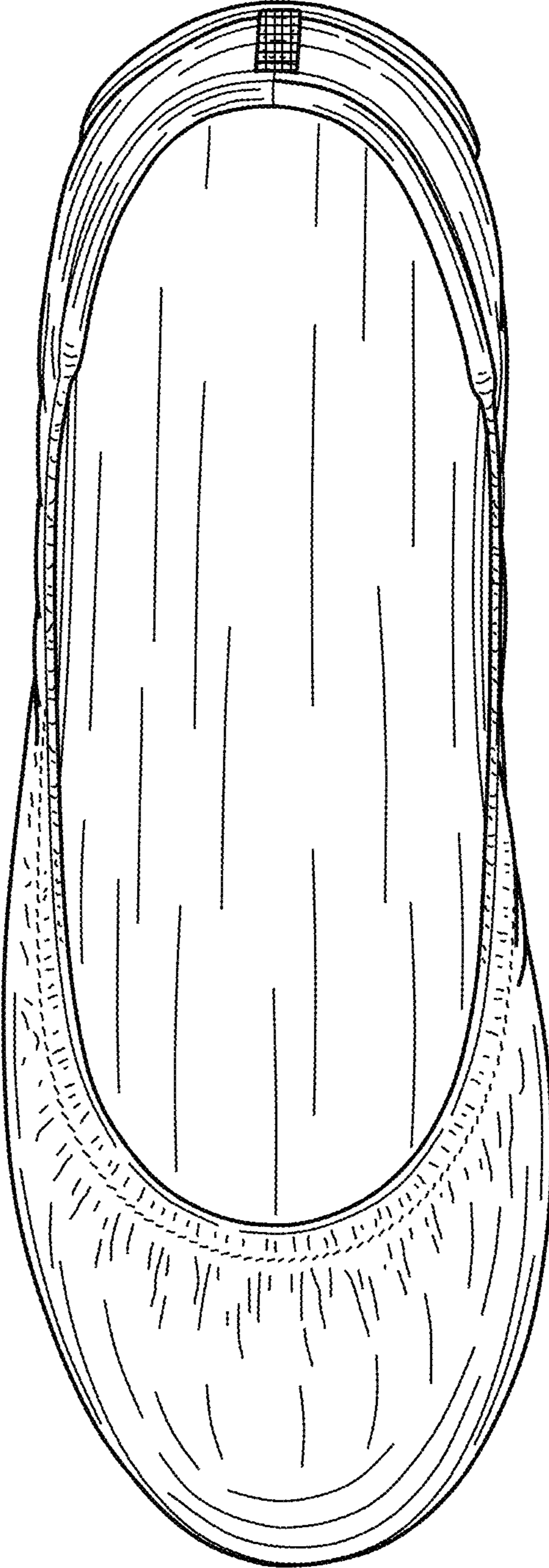


FIG. 20

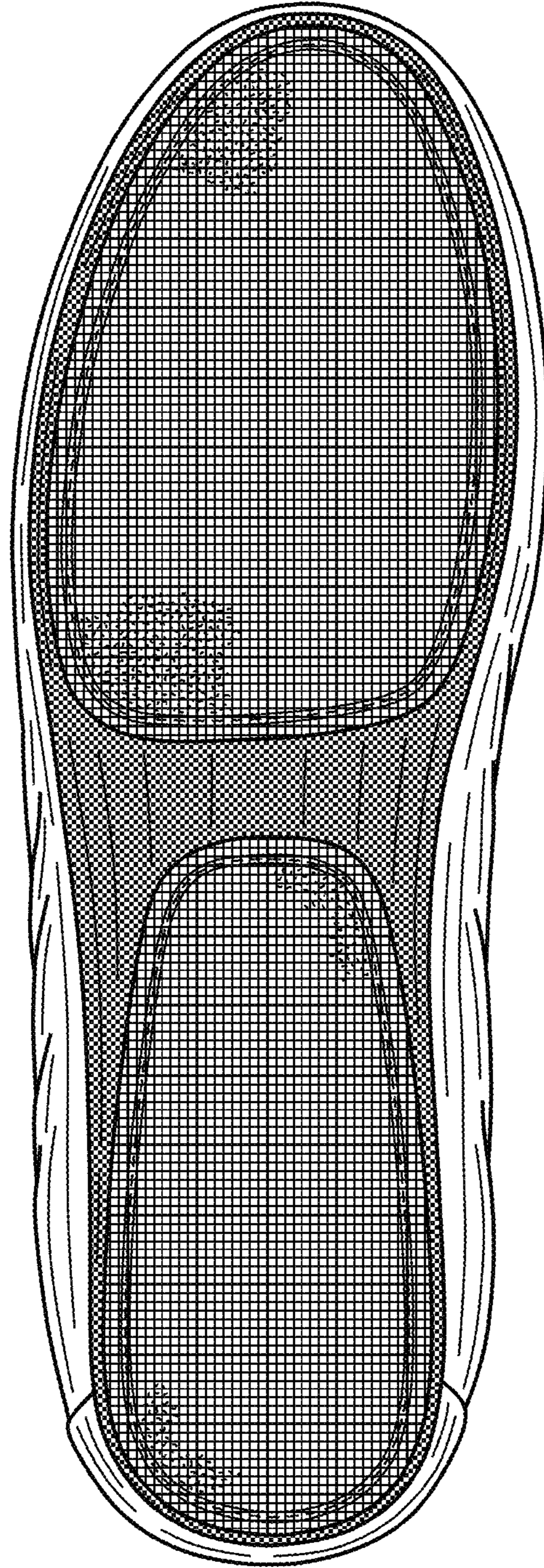


FIG. 21

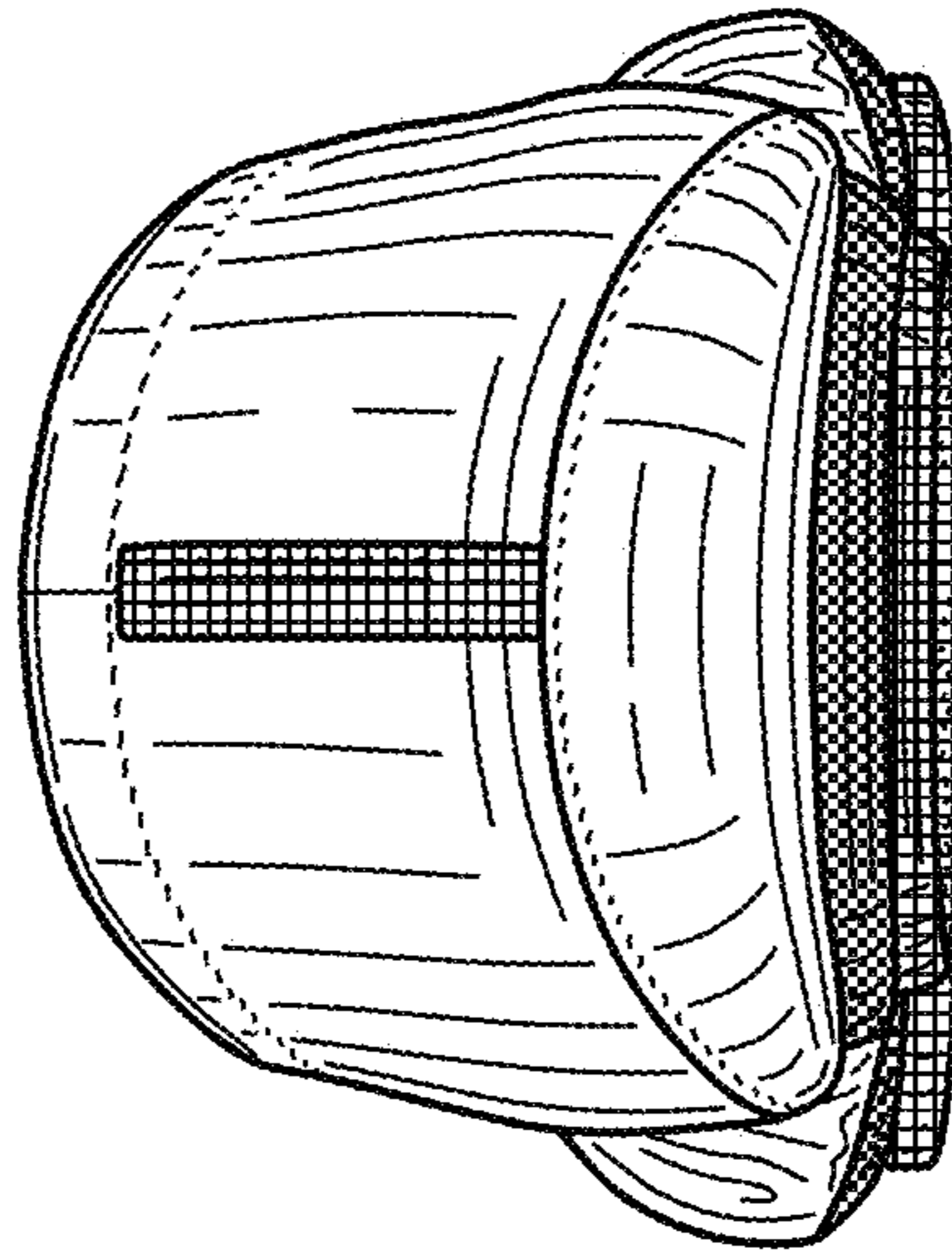


FIG. 23

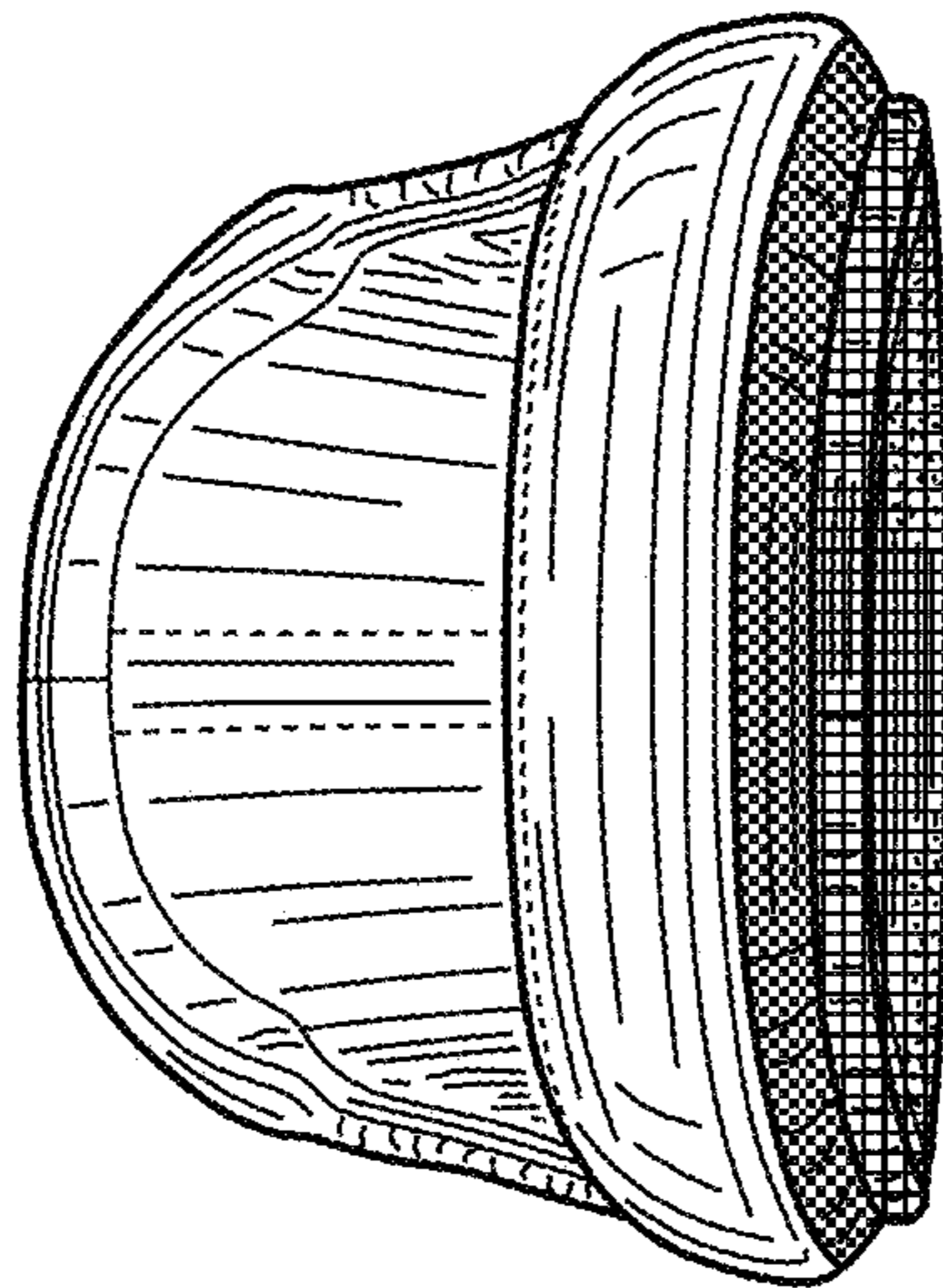


FIG. 22

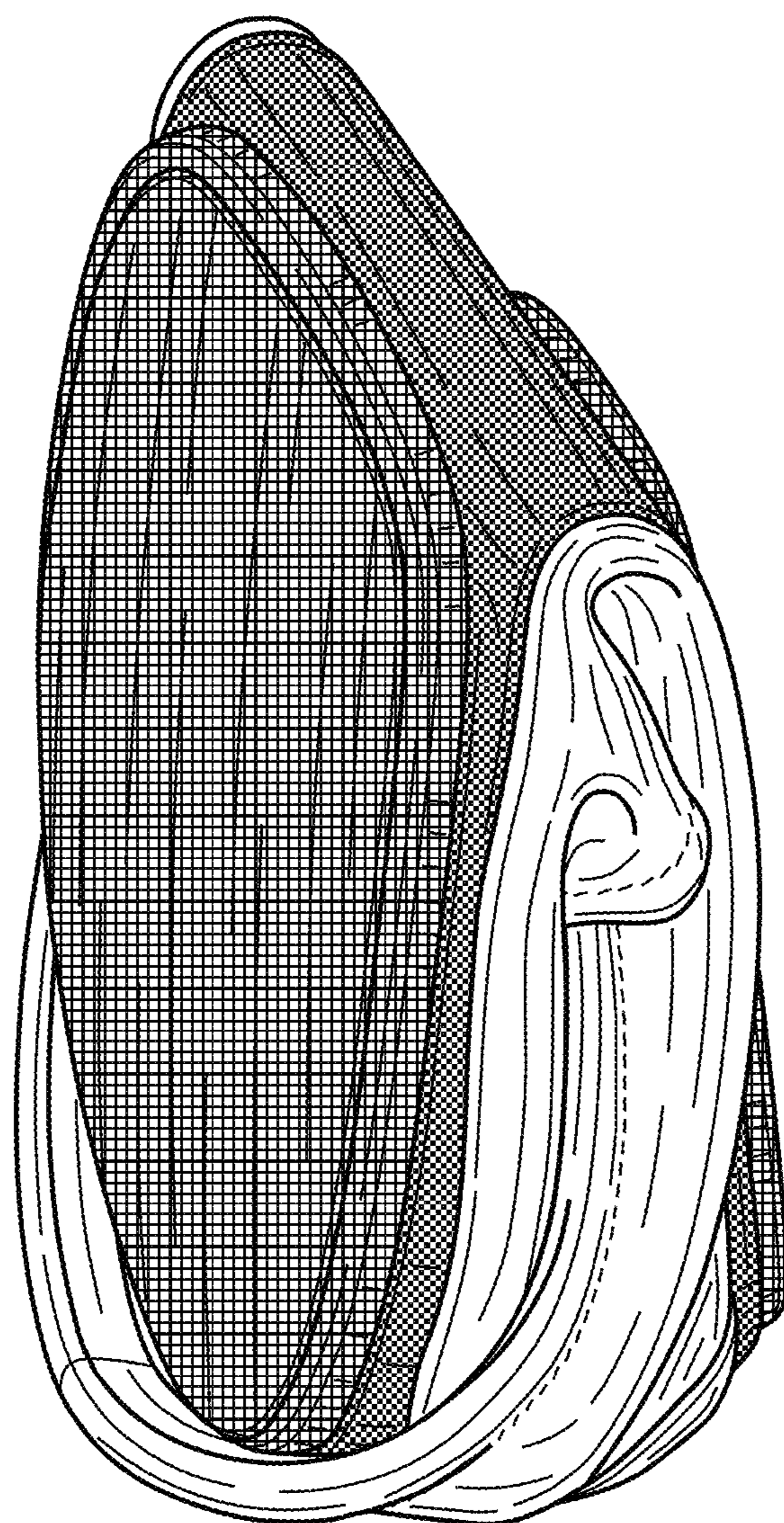


FIG. 24