



US00D688853S

(12) **United States Design Patent**
Gavrieli et al.

(10) **Patent No.:** **US D688,853 S**
(45) **Date of Patent:** **** Sep. 3, 2013**

(54) **SPLIT-SOLE SHOE WITH BLUE STRIPE AND SOLES**

(71) Applicant: **Gavrieli Brands LLC**, Beverly Hills, CA (US)

(72) Inventors: **Kfir Gavrieli**, Los Angeles, CA (US);
Dikla Gavrieli, Los Angeles, CA (US)

(73) Assignee: **Gavrieli Brands LLC**, Beverly Hills, CA (US)

(**) Term: **14 Years**

(21) Appl. No.: **29/437,384**

(22) Filed: **Nov. 15, 2012**

Related U.S. Application Data

(63) Continuation of application No. 13/207,397, filed on Aug. 10, 2011.

(51) **LOC (9) Cl.** **02-04**

(52) **U.S. Cl.**
USPC **D2/939**; D2/925

(58) **Field of Classification Search**
USPC D2/896, 900, 919-921, 925-942,
D2/946, 949, 950, 969, 971; 36/1, 83, 8.1-8.3,
36/9 R, 45-58, 104, 108, 76 R
See application file for complete search history.

(56) **References Cited**

U.S. PATENT DOCUMENTS

1,525,848 A * 2/1925 Bonaventure 36/8.3

(Continued)

FOREIGN PATENT DOCUMENTS

DE 20 2006 00023 U1 5/2007

(Continued)

OTHER PUBLICATIONS

Examination Report for AU 341324, dated Oct. 24, 2012.

(Continued)

Primary Examiner — Dominic Simone
(74) *Attorney, Agent, or Firm* — Morgan, Lewis & Bockius LLP

(57) **CLAIM**

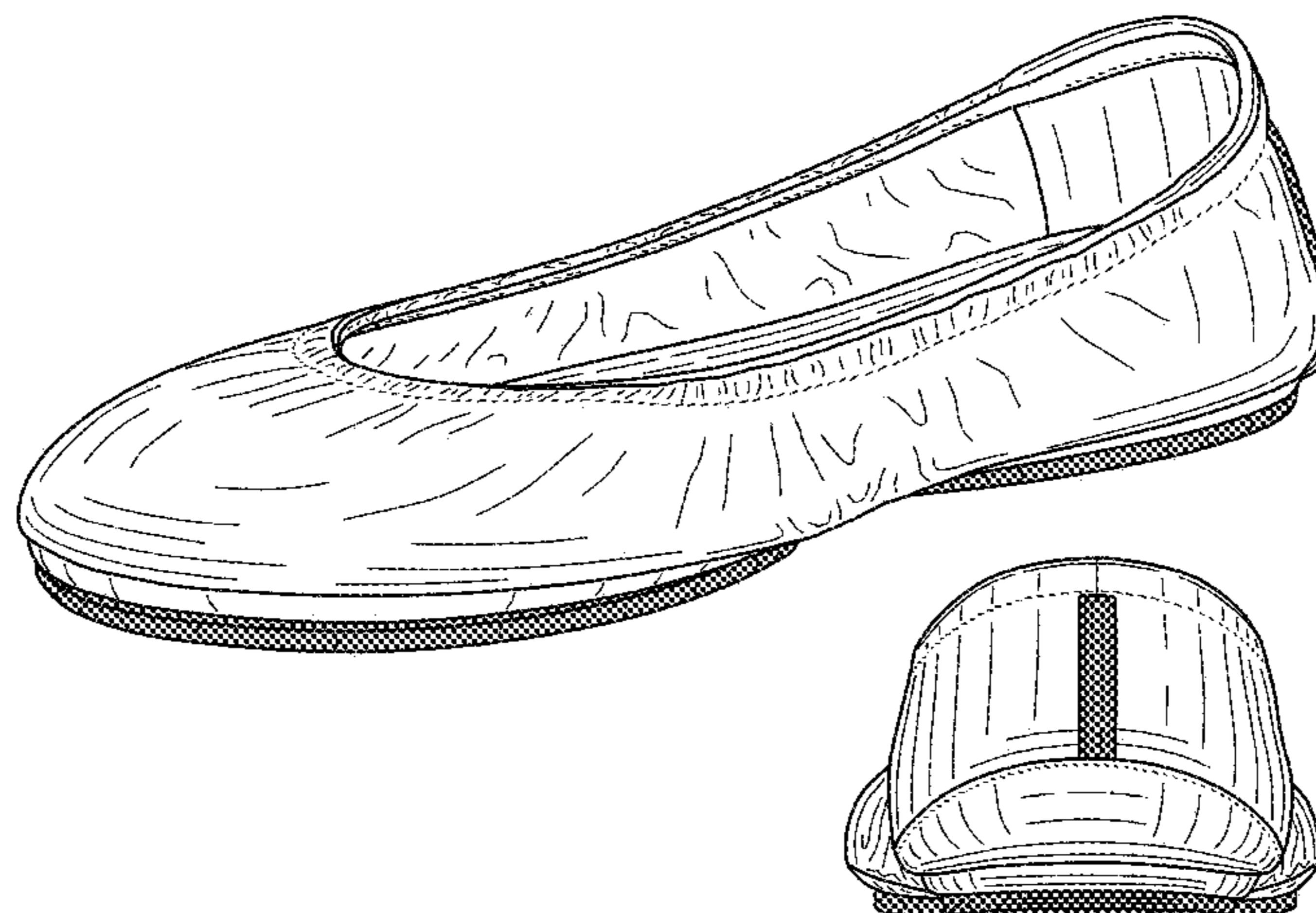
An ornamental design for a split-sole shoe with blue stripe and soles, as shown and described.

DESCRIPTION

The file of this patent contains at least one drawing executed in color. Copies of this patent with color drawing(s) will be provided by the Office upon request and payment of the necessary fee.

FIG. 1 is a perspective view of an embodiment of our new design of a split-sole shoe with blue stripe and soles; FIG. 2 is a first side view of the design of FIG. 1; FIG. 3 is a second side view of the design of FIG. 1; FIG. 4 is a top view of the design of FIG. 1; FIG. 5 is a bottom view of the design of FIG. 1; FIG. 6 is a front view of the design of FIG. 1; FIG. 7 is a back view of the design of FIG. 1; FIG. 8 is another perspective view of the design of FIG. 1, the perspective view illustrating this embodiment when it is placed in a folded configuration; FIG. 9 is a perspective view of a second embodiment of our new design of a split-sole shoe with blue stripe and soles, where the blue portions are indicated using the USPTO convention of horizontal lines for blue, such as Pantone PMS 3242-3278, PMS 2905-2995, and 7453C-7472C; FIG. 10 is a first side view of the design of FIG. 9; FIG. 11 is a second side view of the design of FIG. 9; FIG. 12 is a top view of the design of FIG. 9; FIG. 13 is a bottom view of the design of FIG. 9; FIG. 14 is a front view of the design of FIG. 9; FIG. 15 is a back view of the design of FIG. 9; FIG. 16 is another perspective view of the design of FIG. 9, the perspective view illustrating the this embodiment when it is placed in a folded configuration; FIG. 17 is a perspective view of a third embodiment of our new design of a split-sole shoe with blue stripe and soles, where the blue portions are indicated using a checkered pattern to indicate the blue color Pantone 7466C; FIG. 18 is a first side view of the design of FIG. 17; FIG. 19 is a second side view of the design of FIG. 17; FIG. 20 is a top view of the design of FIG. 17; FIG. 21 is a bottom view of the design of FIG. 17; FIG. 22 is a front view of the design of FIG. 17; FIG. 23 is a back view of the design of FIG. 17; and, FIG. 24 is another perspective view of the design of FIG. 17, the perspective view illustrating this embodiment when it is placed in a folded configuration.

1 Claim, 21 Drawing Sheets
(7 of 21 Drawing Sheet(s) Filed in Color)



(56)

References Cited

U.S. PATENT DOCUMENTS

1,587,377 A 6/1926 Grosjean
 1,650,466 A 11/1927 Righter
 2,268,777 A 1/1942 Scholl
 D133,819 S * 9/1942 Harris D2/939
 D149,685 S * 5/1948 Sandler D2/935
 D150,729 S * 8/1948 Sandler D2/927
 D166,090 S * 3/1952 Maling D2/897
 2,904,814 A 9/1959 Scholl
 D200,897 S * 4/1965 Mitchell D2/919
 D247,396 S * 3/1978 Schlerth D2/939
 D295,692 S * 5/1988 Zuidema et al. D2/950
 D300,085 S 3/1989 Ito et al.
 D316,773 S 5/1991 Valle
 D339,669 S * 9/1993 Miller D2/919
 D341,022 S 11/1993 Zona
 D351,719 S 10/1994 Piotroczic
 D396,341 S 7/1998 Lozano et al.
 D397,238 S 8/1998 Lozano et al.
 6,338,207 B1 1/2002 Chang
 D457,292 S * 5/2002 Sessa D2/949
 D461,947 S 8/2002 Merceron
 D476,798 S 7/2003 Reynolds et al.
 D498,041 S 11/2004 McClaskie
 D500,191 S * 12/2004 Belley et al. D2/969
 D501,706 S 2/2005 McClaskie
 D527,513 S * 9/2006 Della Valle D2/919
 D531,790 S 11/2006 Wurzburg
 D534,341 S * 1/2007 Choi D2/971
 D542,513 S 5/2007 Amado et al.
 D570,488 S 6/2008 Kirksey et al.
 D571,548 S 6/2008 Seamans
 D571,989 S 7/2008 Siegal
 D576,397 S 9/2008 Couder
 D580,640 S 11/2008 Wurzburg
 D582,638 S 12/2008 Ringholz
 7,506,459 B2 3/2009 Grisoni et al.
 D591,031 S 4/2009 Cofinco
 D593,295 S * 6/2009 Belley et al. D2/969
 D593,297 S * 6/2009 Belley et al. D2/969
 D593,307 S * 6/2009 Belley et al. D2/969
 D599,093 S * 9/2009 Issler D2/971
 D604,030 S 11/2009 Wilson
 D607,194 S 1/2010 Zagula
 D610,332 S 2/2010 Raichle
 D610,785 S 3/2010 Smith

D612,140 S 3/2010 Moon
 D612,141 S 3/2010 Moon
 7,735,244 B1 6/2010 Ameche
 D632,881 S 2/2011 Rosenberg
 D634,528 S 3/2011 Oldenburg
 D635,752 S 4/2011 Shea
 D640,861 S 7/2011 Wilkenfeld
 D655,076 S 3/2012 Rosenberg
 D664,755 S 8/2012 Gavrieli et al.
 8,245,420 B2 8/2012 Wilson
 D668,027 S 10/2012 Millieret
 D668,438 S 10/2012 Millieret
 D668,847 S 10/2012 Gavrieli et al.
 D668,848 S 10/2012 Gavrieli et al.
 D669,674 S 10/2012 Vidal
 D672,542 S 12/2012 Gray et al.
 D676,634 S 2/2013 Gavrieli et al.
 2004/0025377 A1 2/2004 Brannon
 2006/0026868 A1 2/2006 Grisoni
 2006/0086005 A1 4/2006 Yerianm
 2007/0062064 A1 3/2007 McClaskie
 2009/0193685 A1 8/2009 Wilson
 2009/0272009 A1 11/2009 Weisner et al.
 2010/0018080 A1 1/2010 Smith
 2010/0115793 A1 5/2010 Kraisosky
 2011/0214312 A1 9/2011 Krikelis

FOREIGN PATENT DOCUMENTS

GB 2 446 205 A 8/2008

OTHER PUBLICATIONS

The Love List, "Tieks by Gavrieli—Foldable Ballet Flats", Sep. 12, 2010. <http://thelovelist-carly.blogspot.com.au/2010/09/tieks-by-gavrielli-foldable-ballet.html>.
 Wearability—Real People Style, "What came first, the City Flat or the Tieks" Aug. 29, 2010, <http://wearability.posterous.com/what-came-first-the-city-flat-or-the-tieks>.
 Try It Mummy!, Tieks by Gavrieli, Dec. 9, 2010, <http://tryitmummy.blogspot.com.au/2010/12/tieks-by-gavrieli.html>.
 Letter from TMI and Associates with Office Action dated Sep. 19, 2012 with old URL <http://www.payless.com/store/?&TLC=Womens&SLC=WomensNewArrivals&BLC=WomensNewArrivalsNewArrivals&Width=Regular&ItemCode=60131&LotNumber=062642&Type=Adult&Popularity=637&Descriptivein>.
 Taiwanese Office Action for TW 101300726, dated Sep. 6, 2012.

* cited by examiner

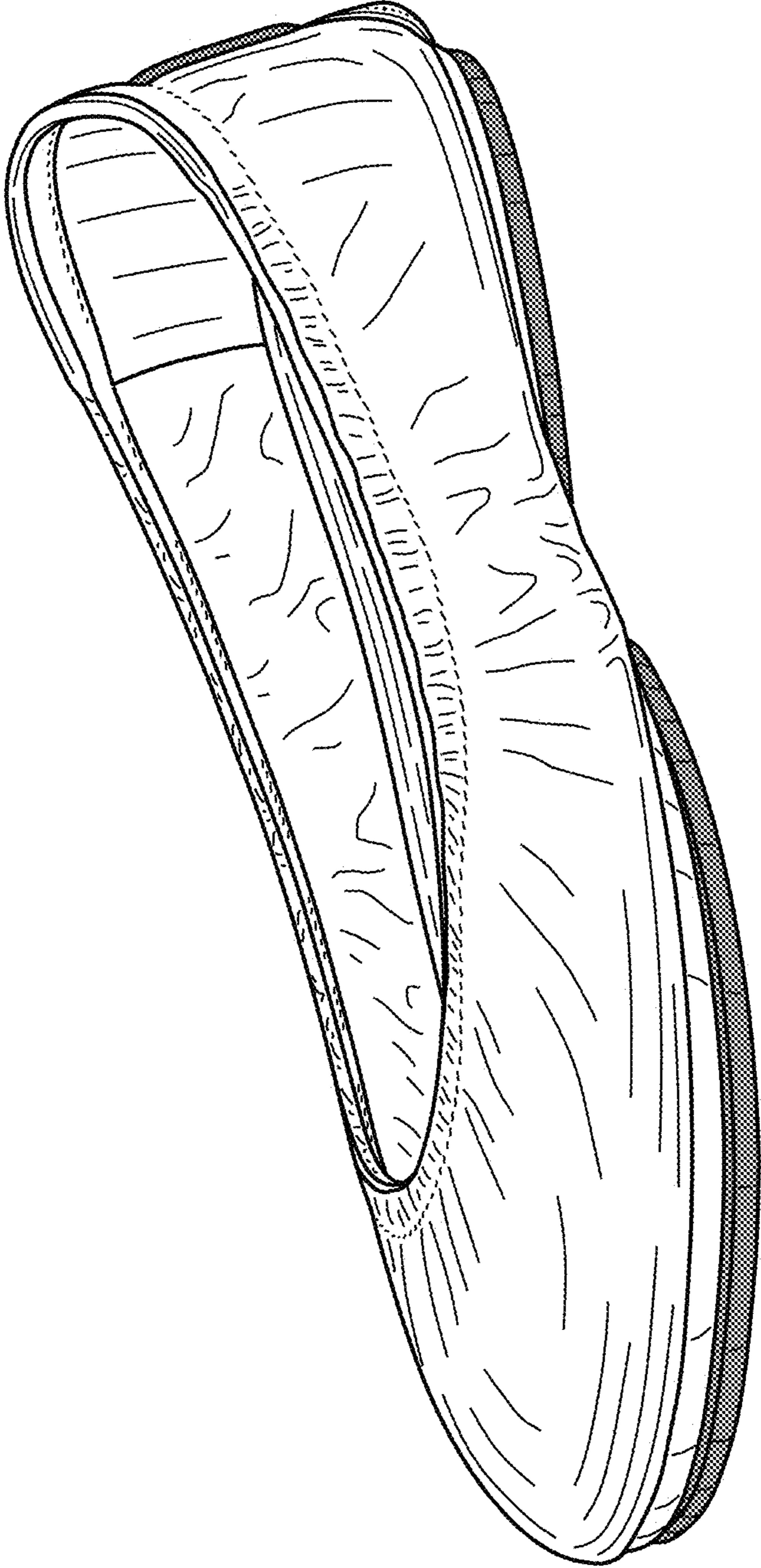


FIG. 1

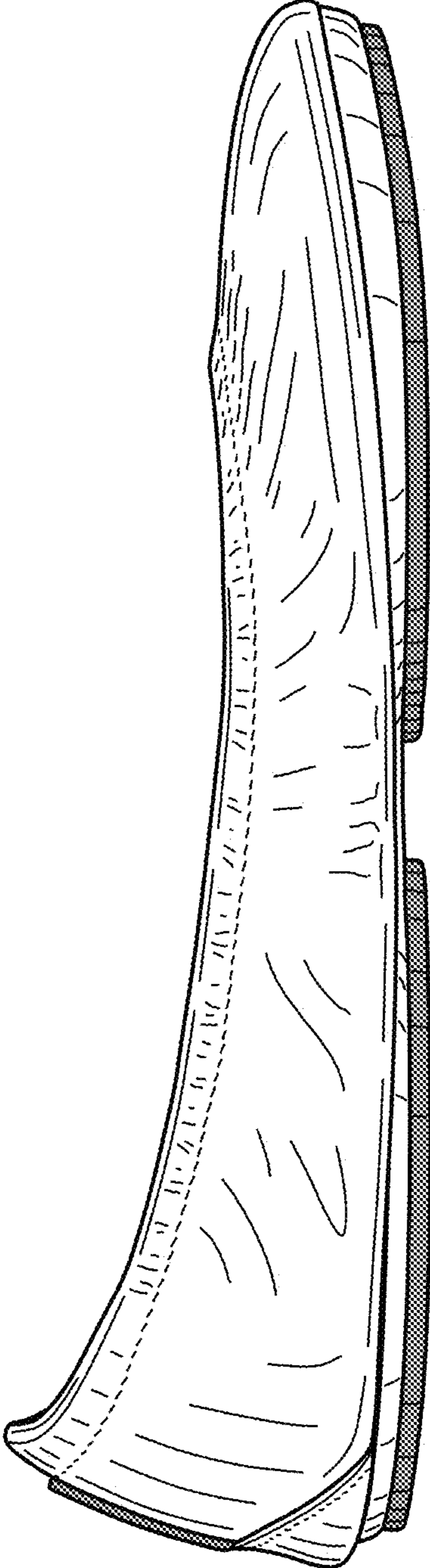


FIG. 2

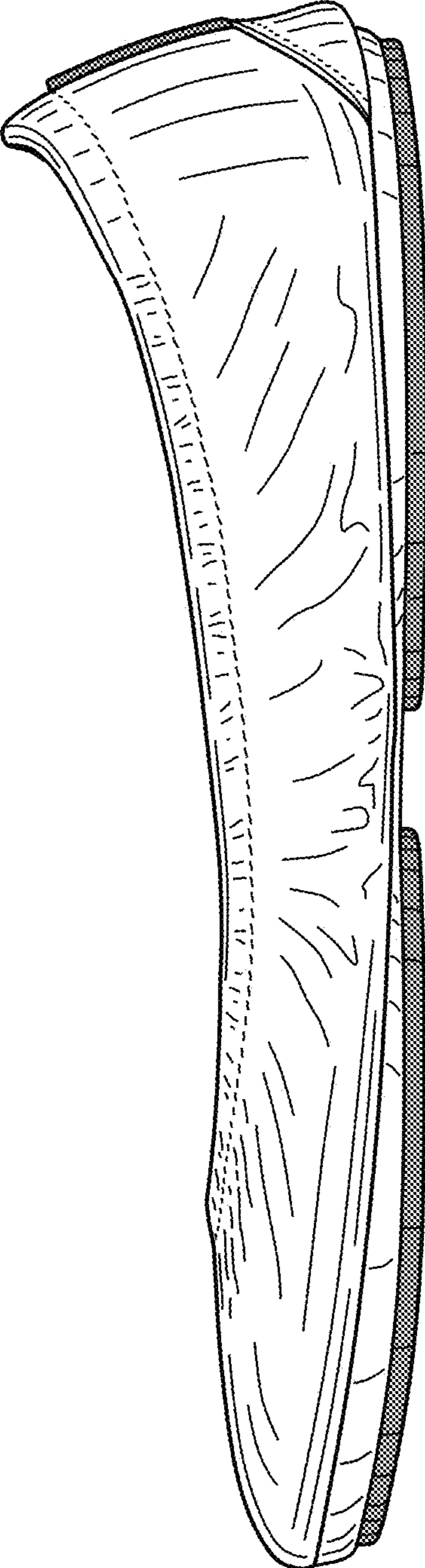


FIG. 3

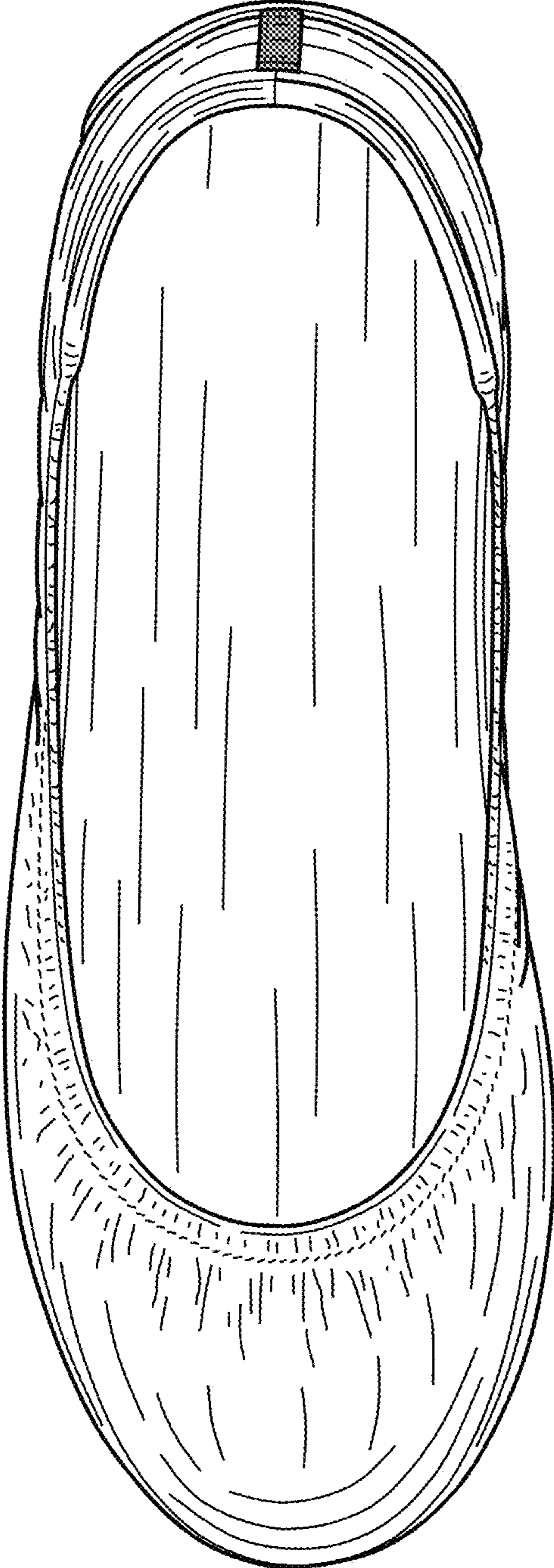


FIG. 4

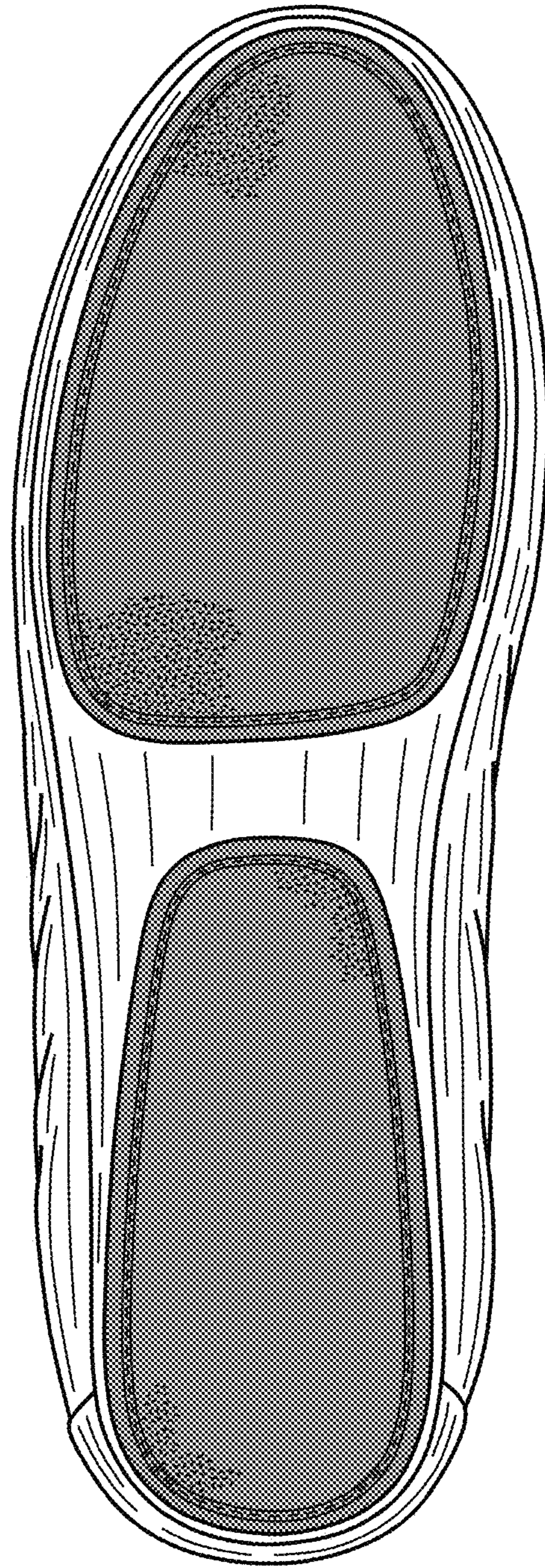


FIG. 5

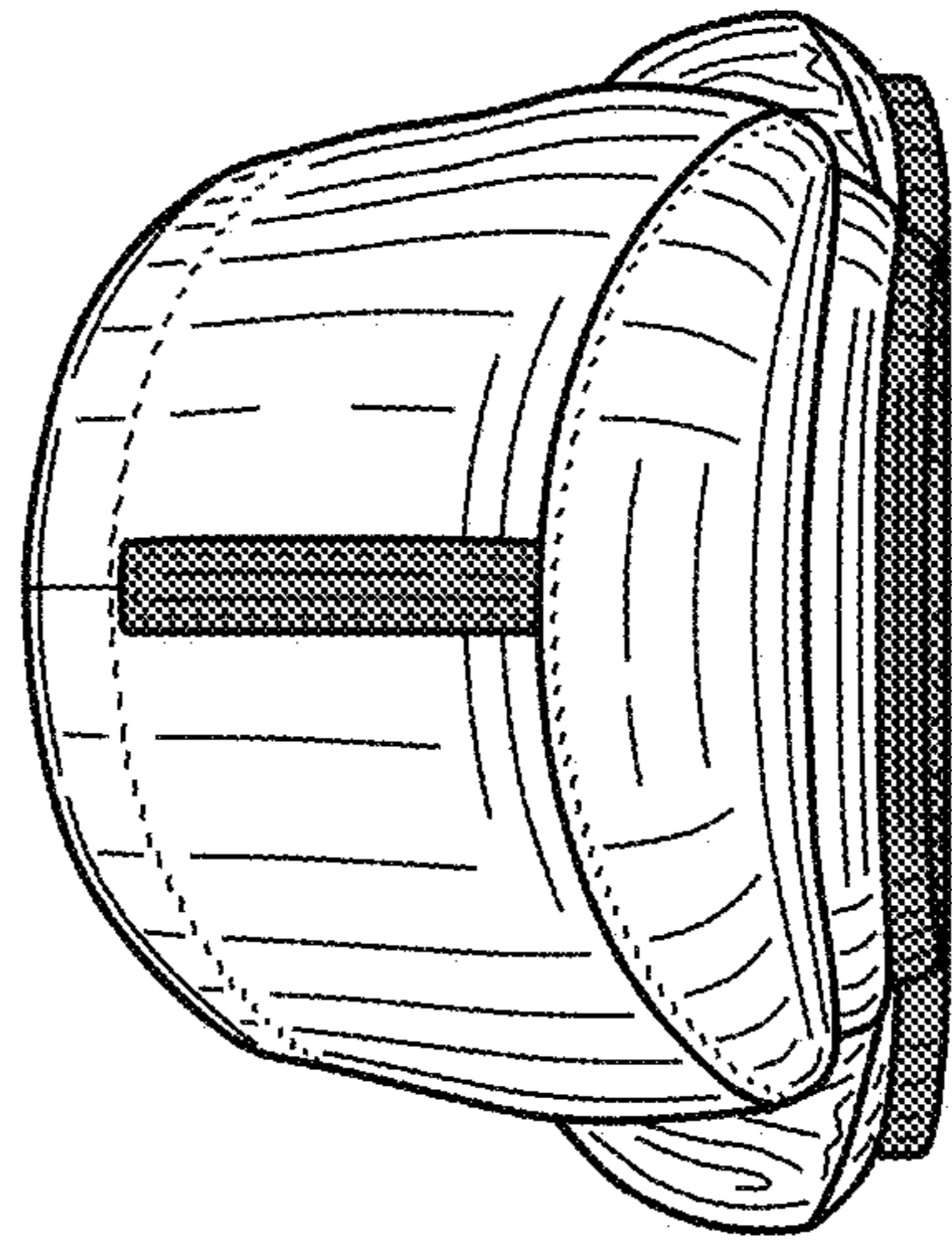


FIG. 7

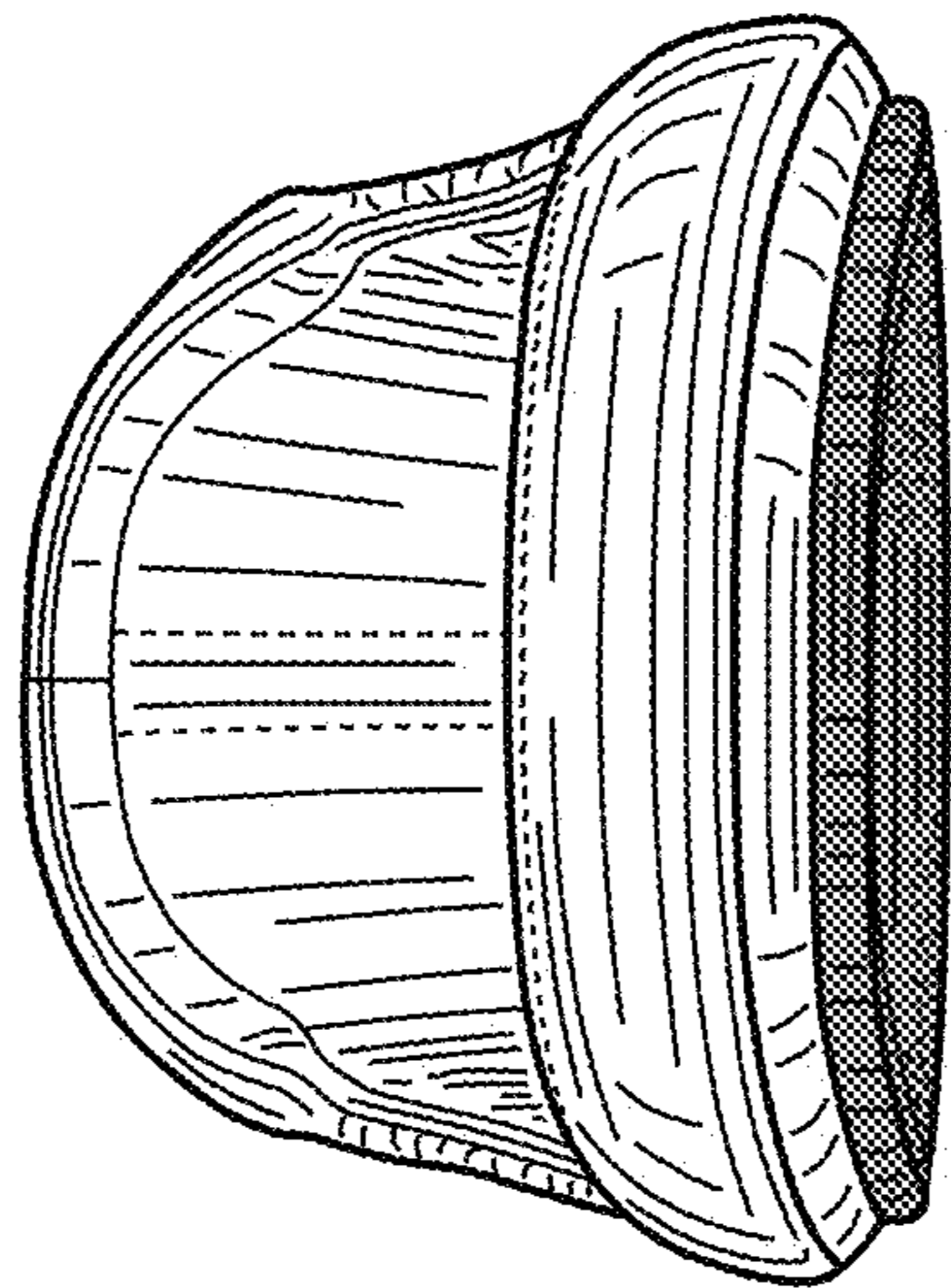


FIG. 6

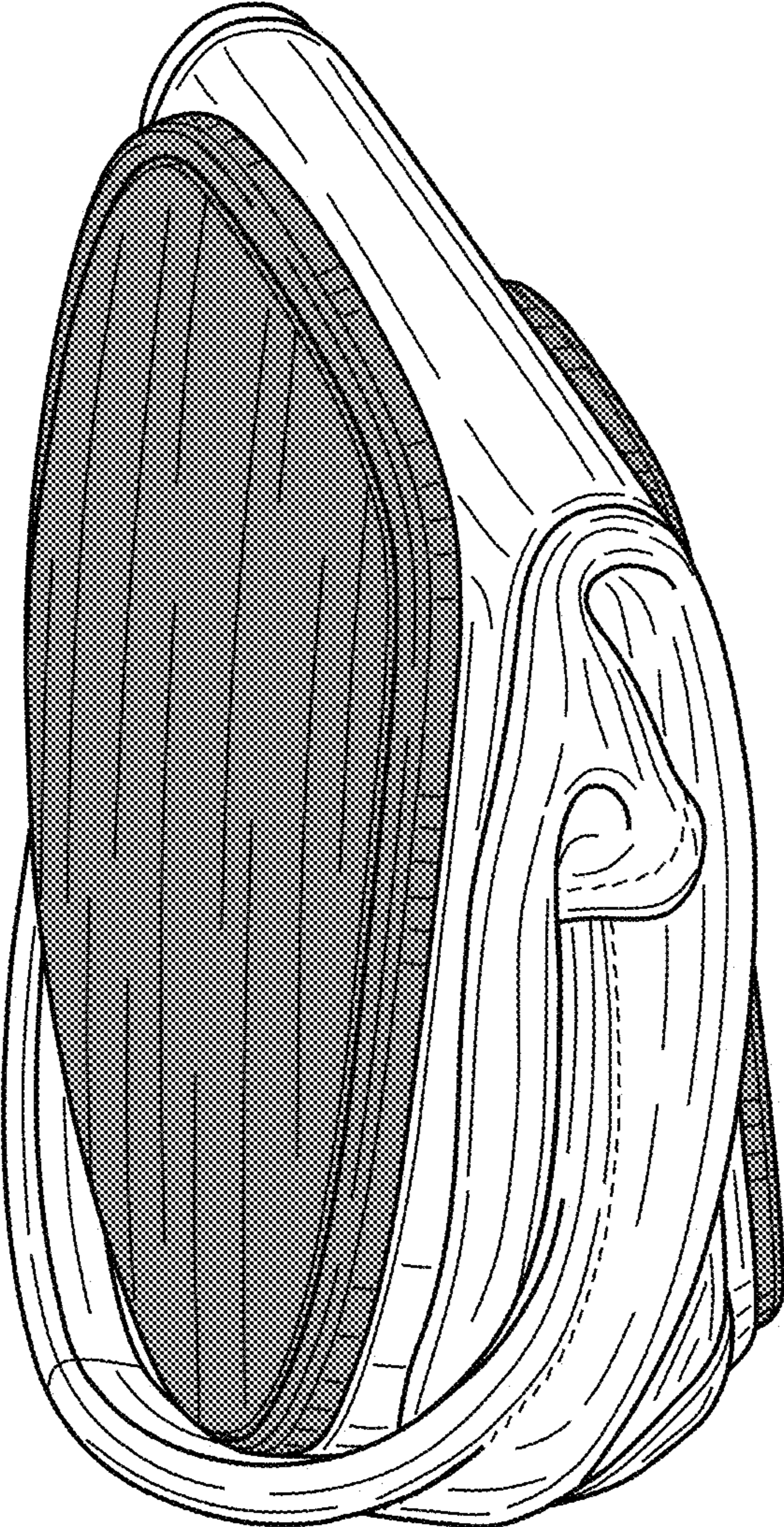


FIG. 8

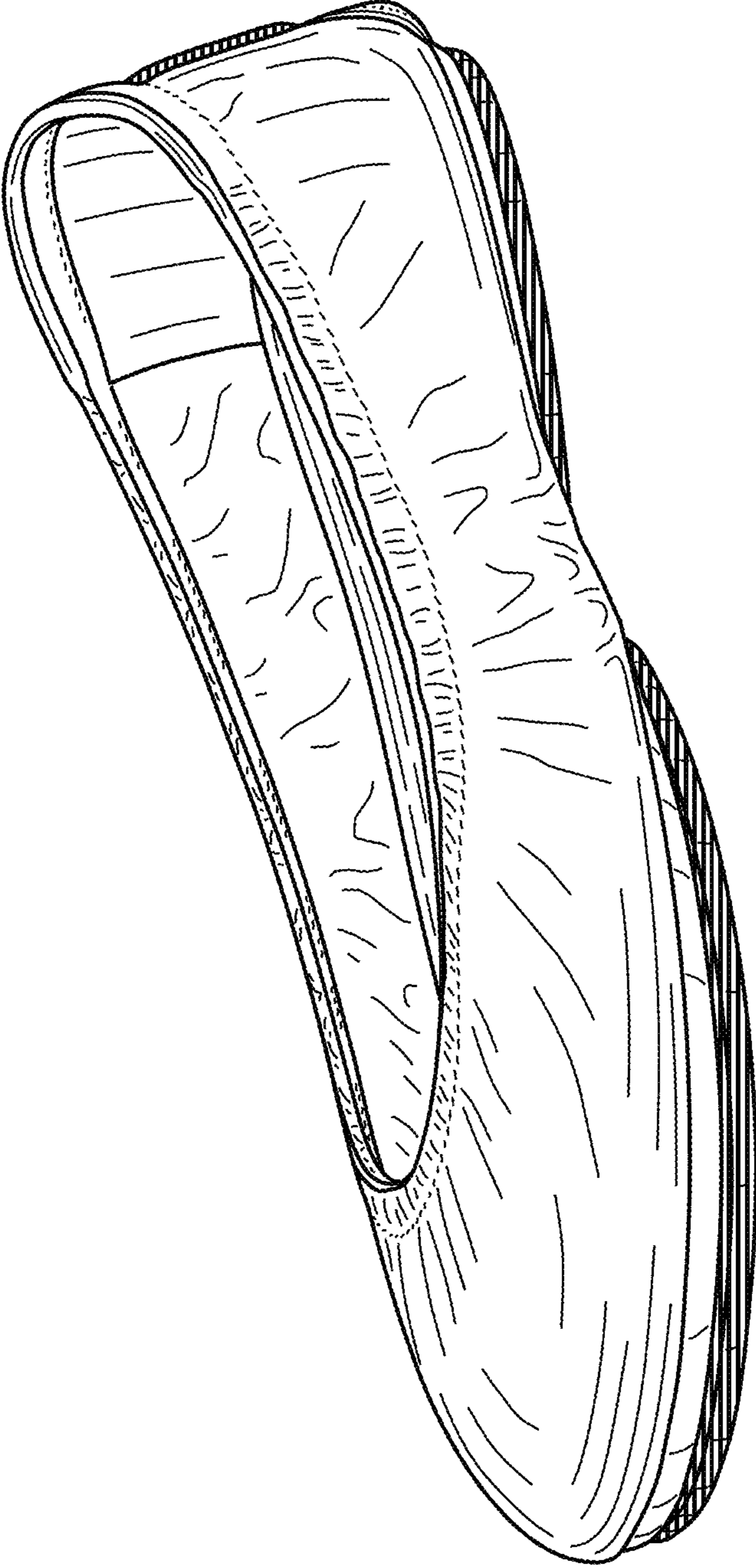


FIG. 9

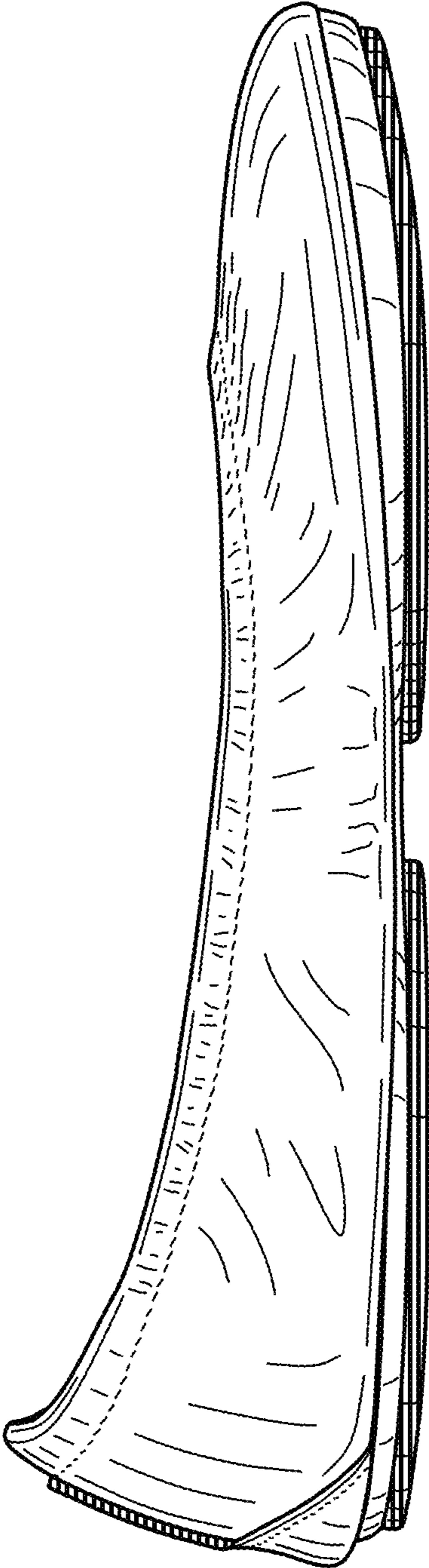


FIG. 10

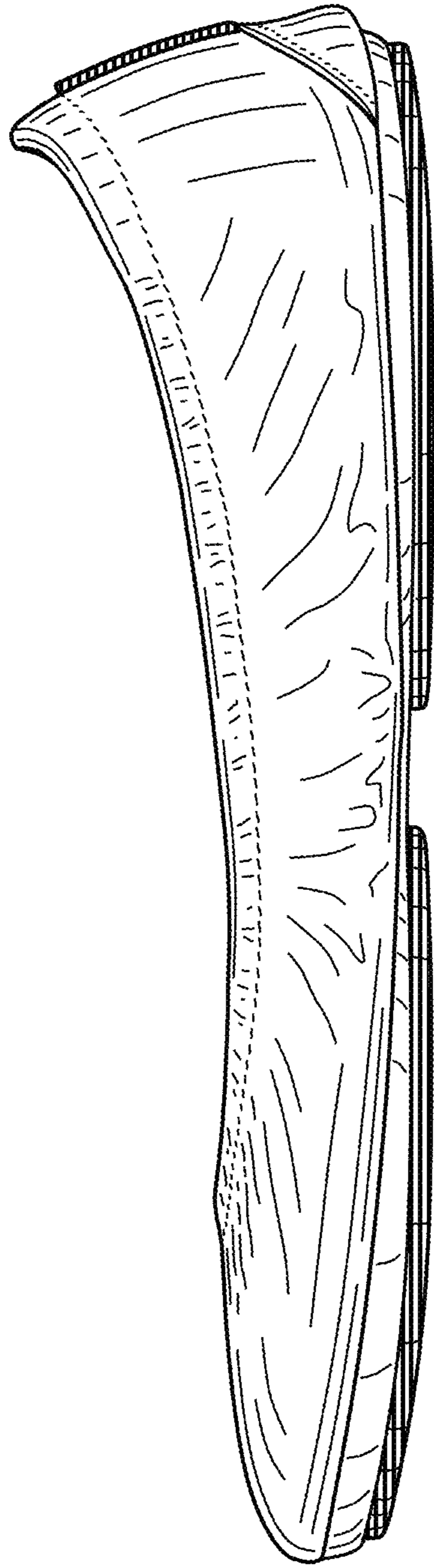


FIG. 11

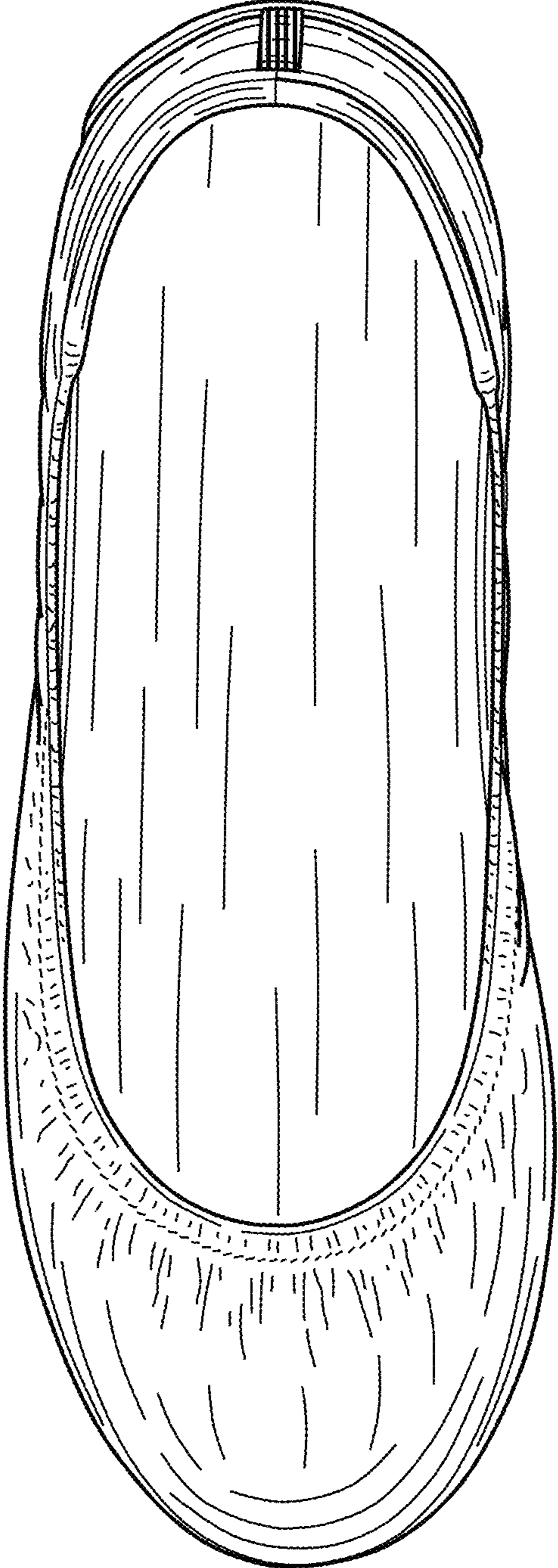


FIG. 12

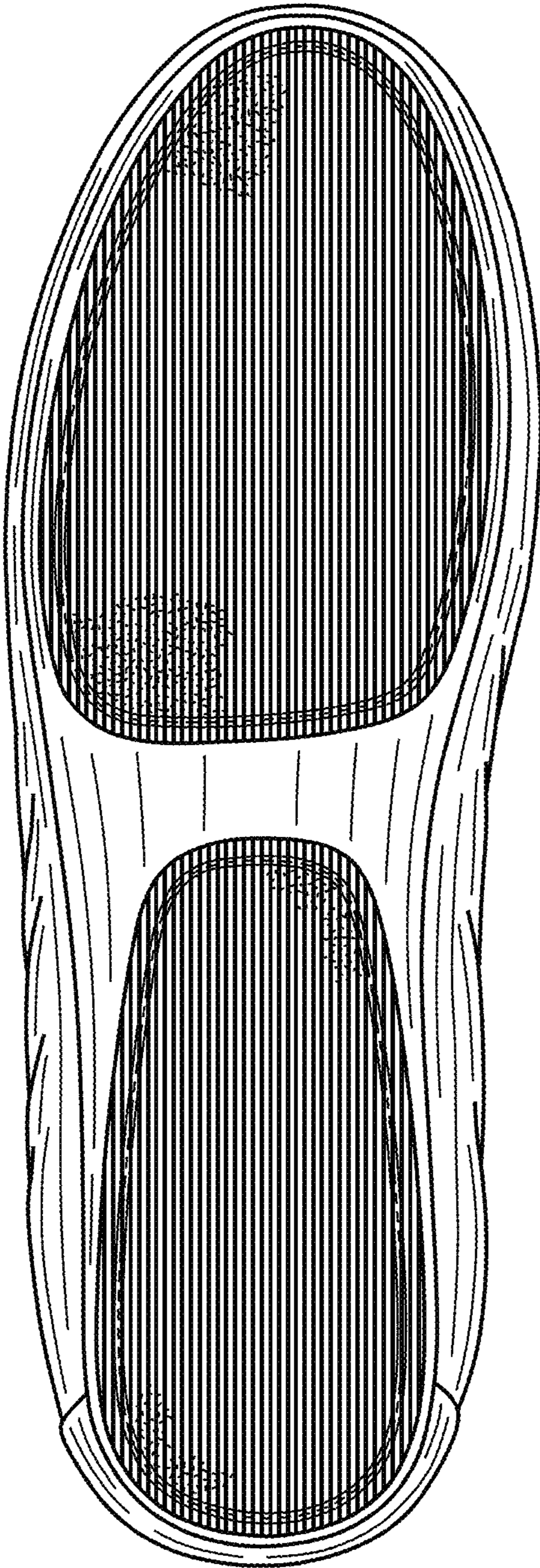


FIG. 13

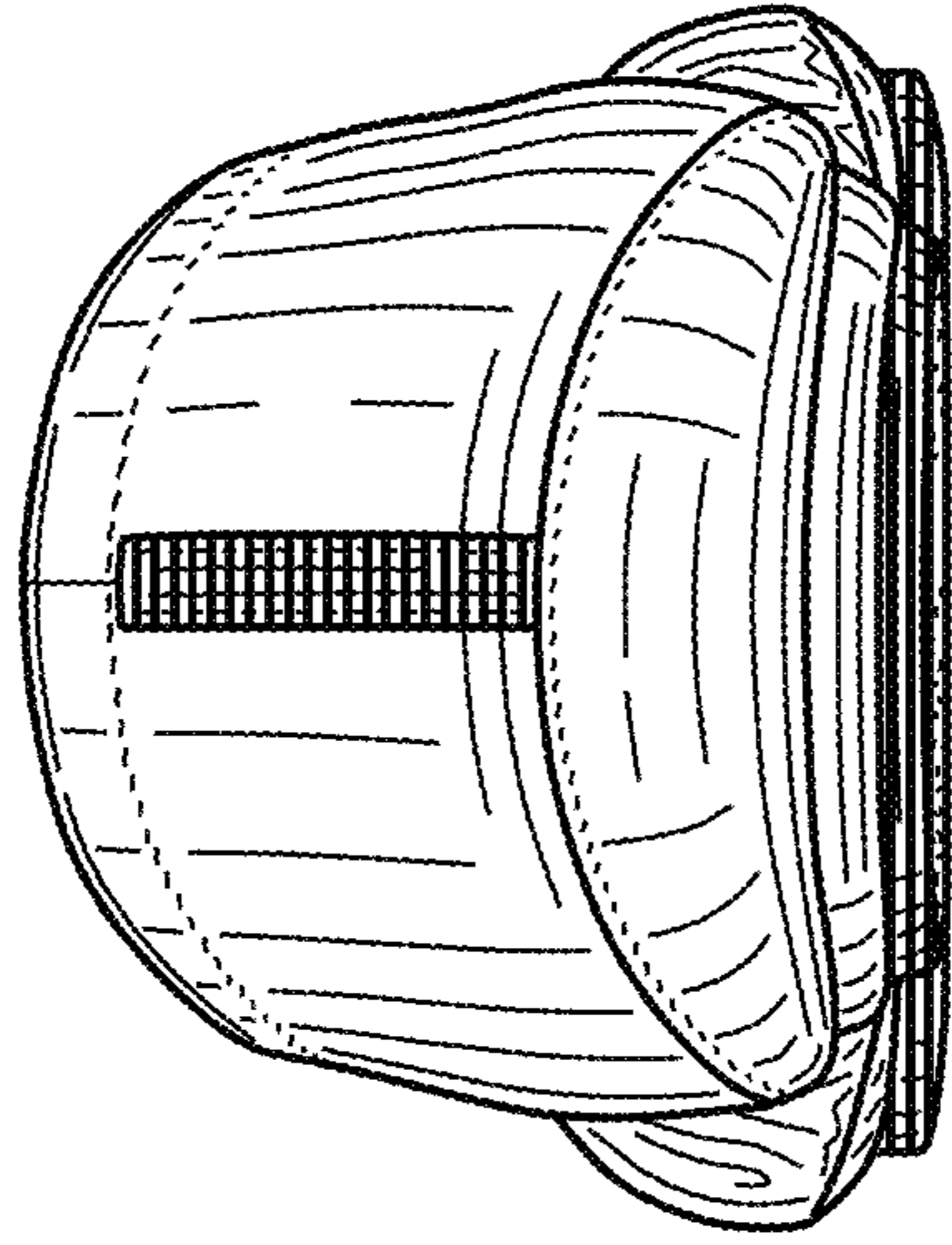


FIG. 15

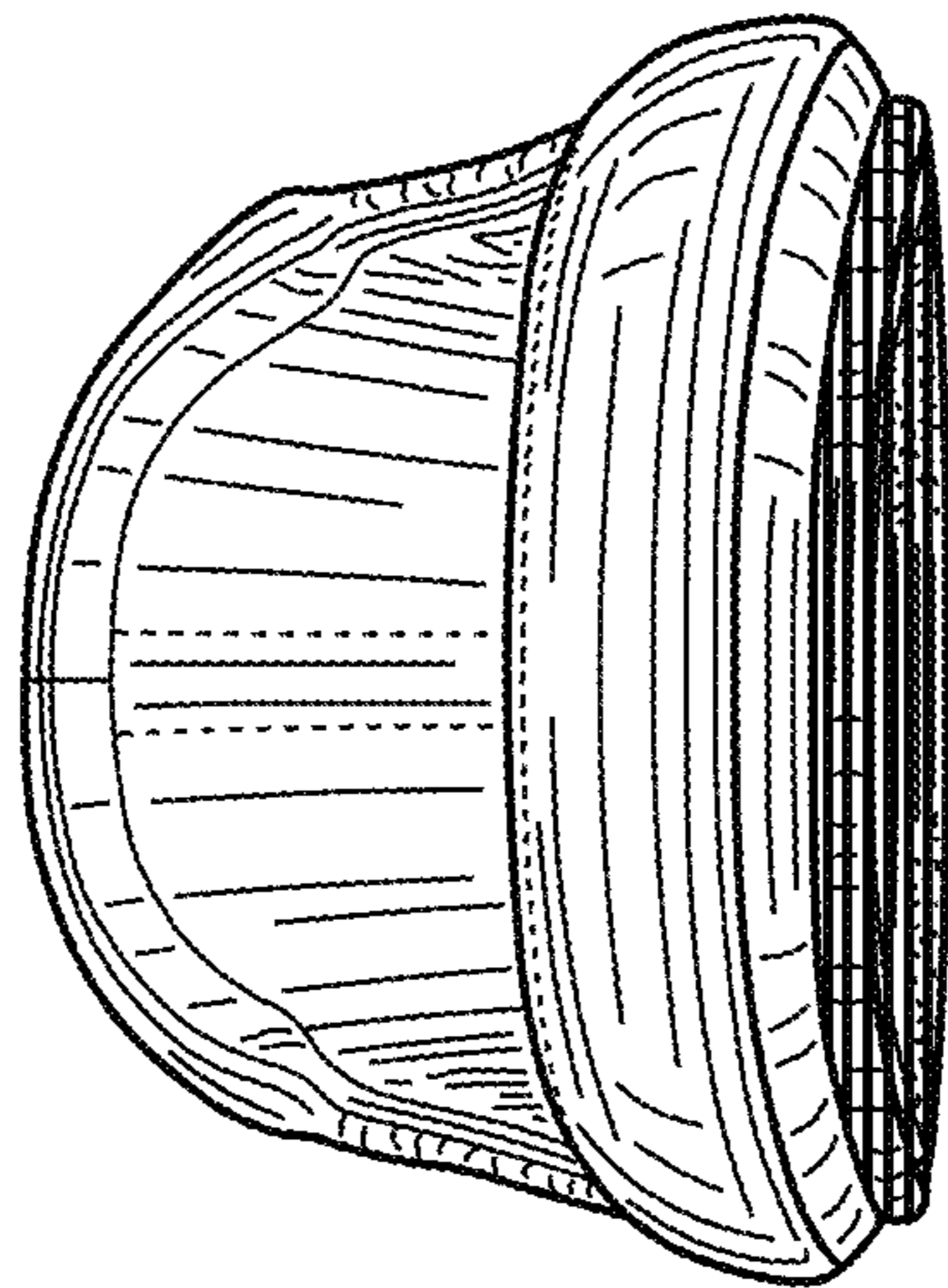


FIG. 14

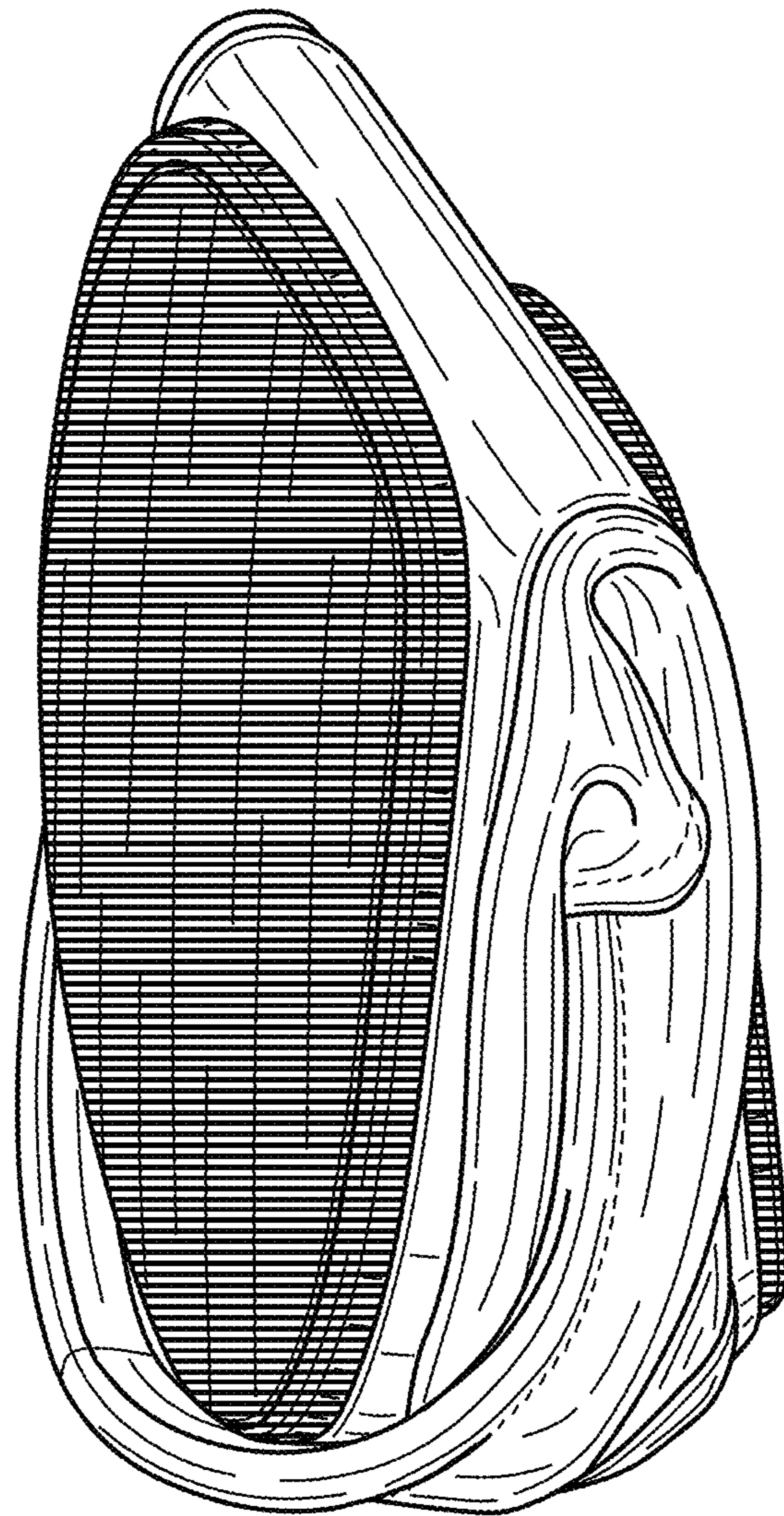


FIG. 16

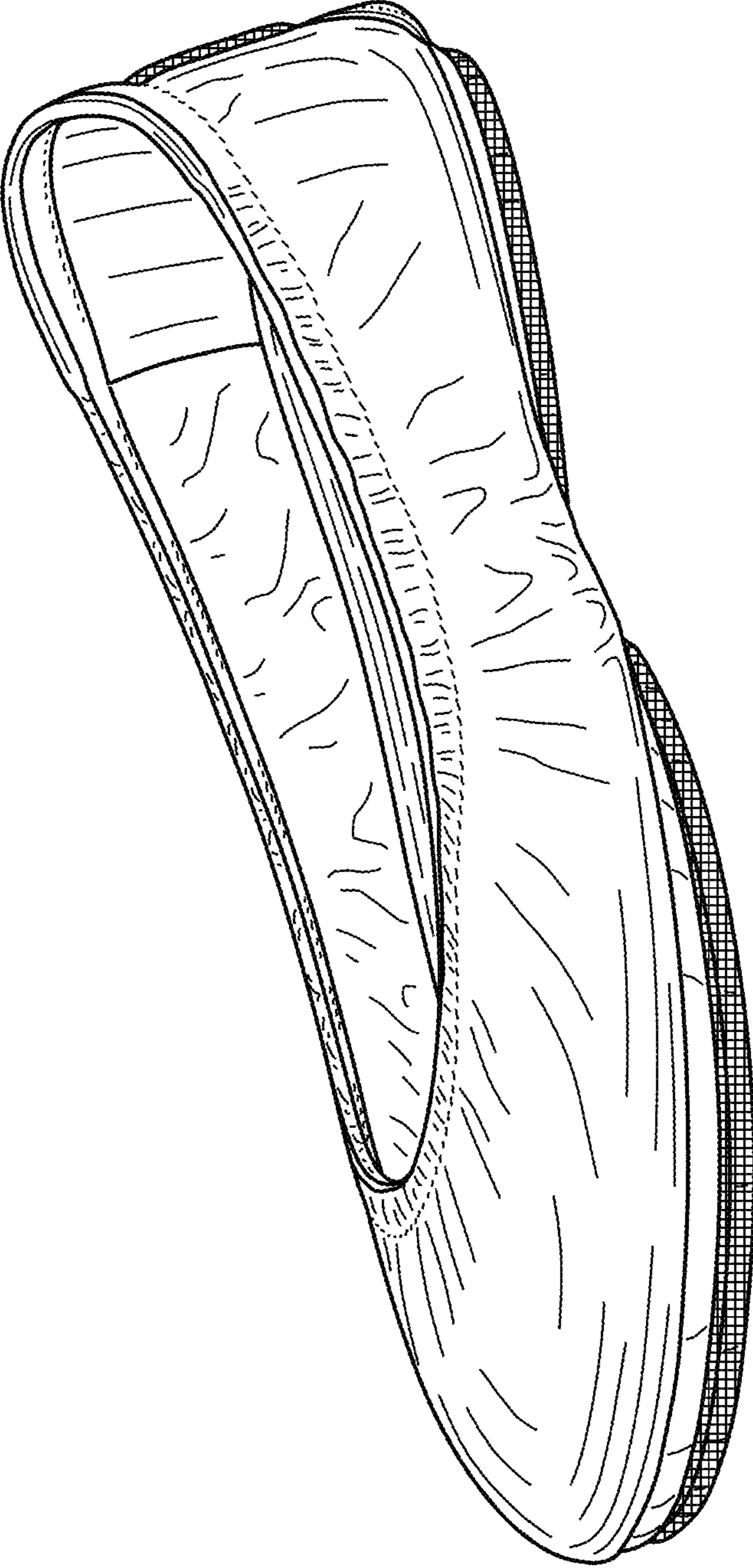


FIG. 17

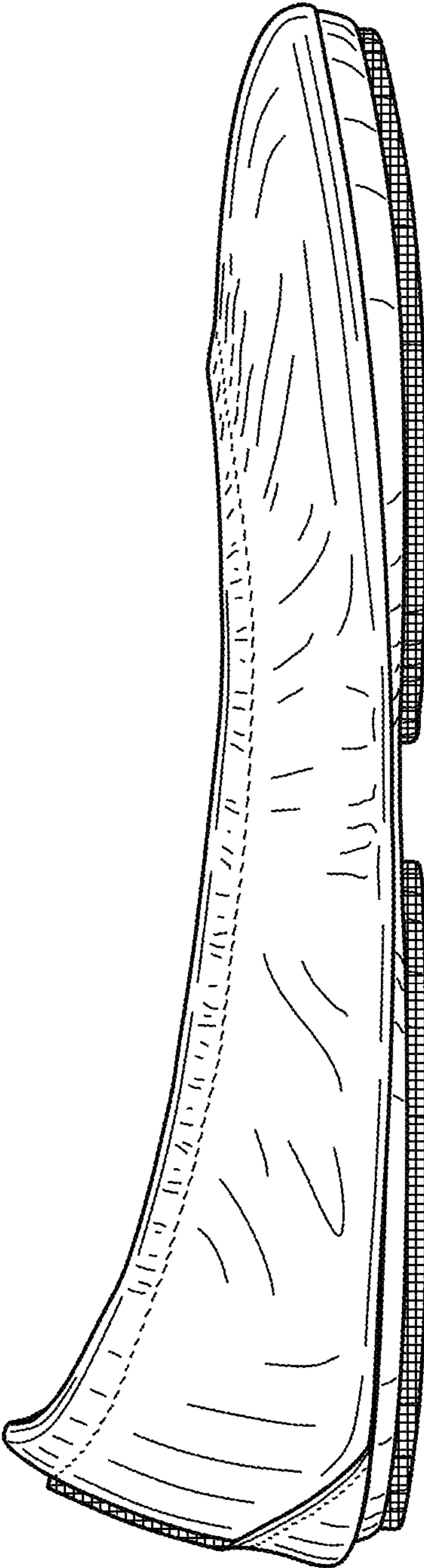


FIG. 18

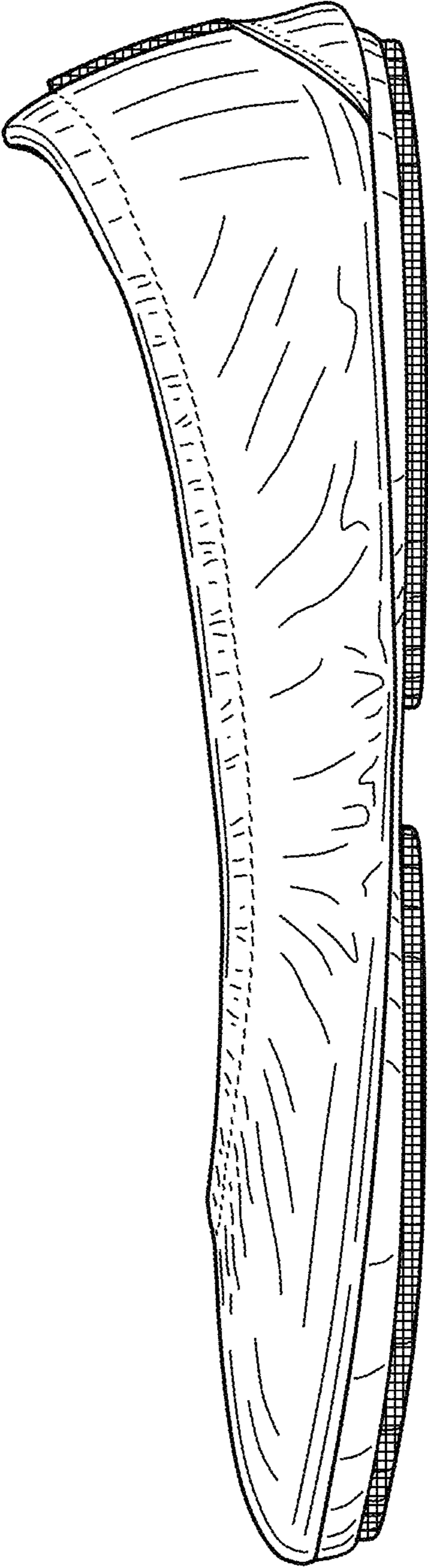


FIG. 19

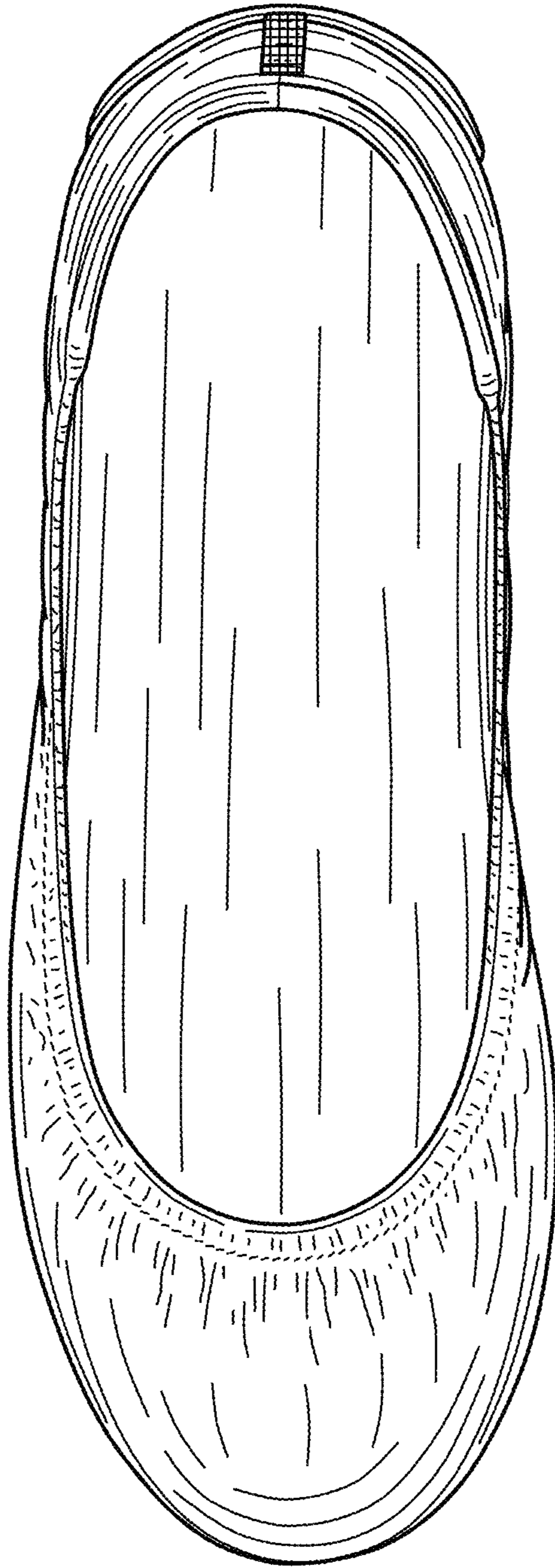


FIG. 20

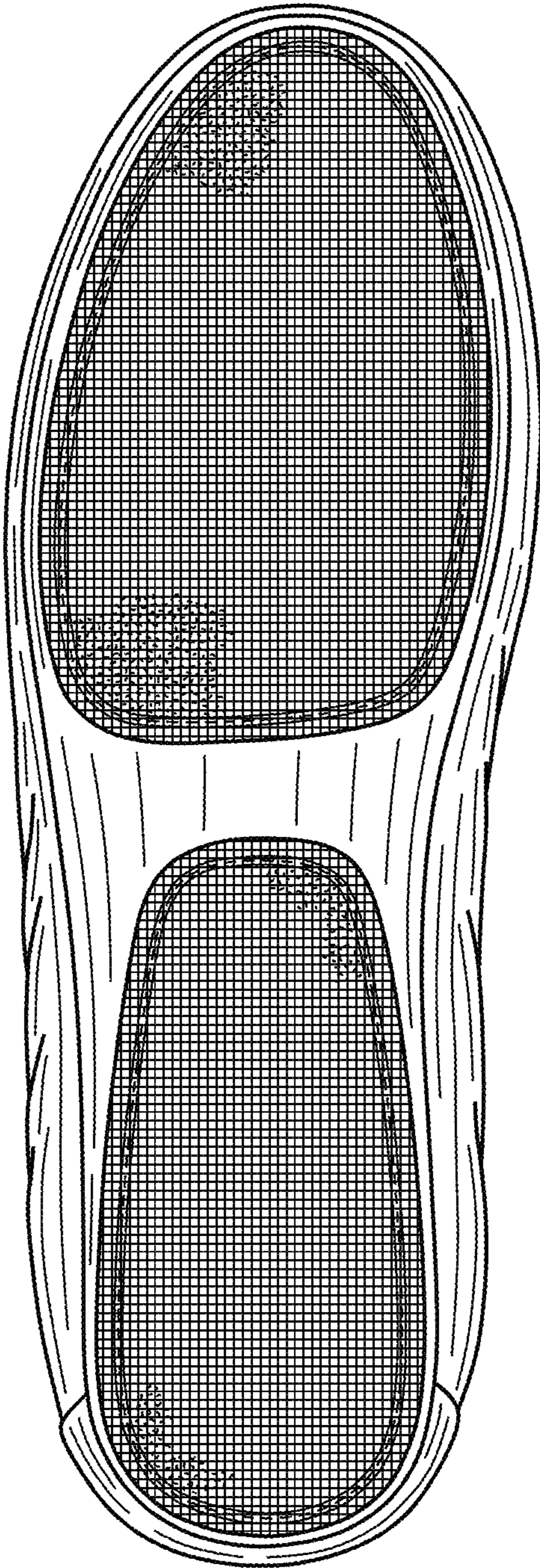


FIG. 21

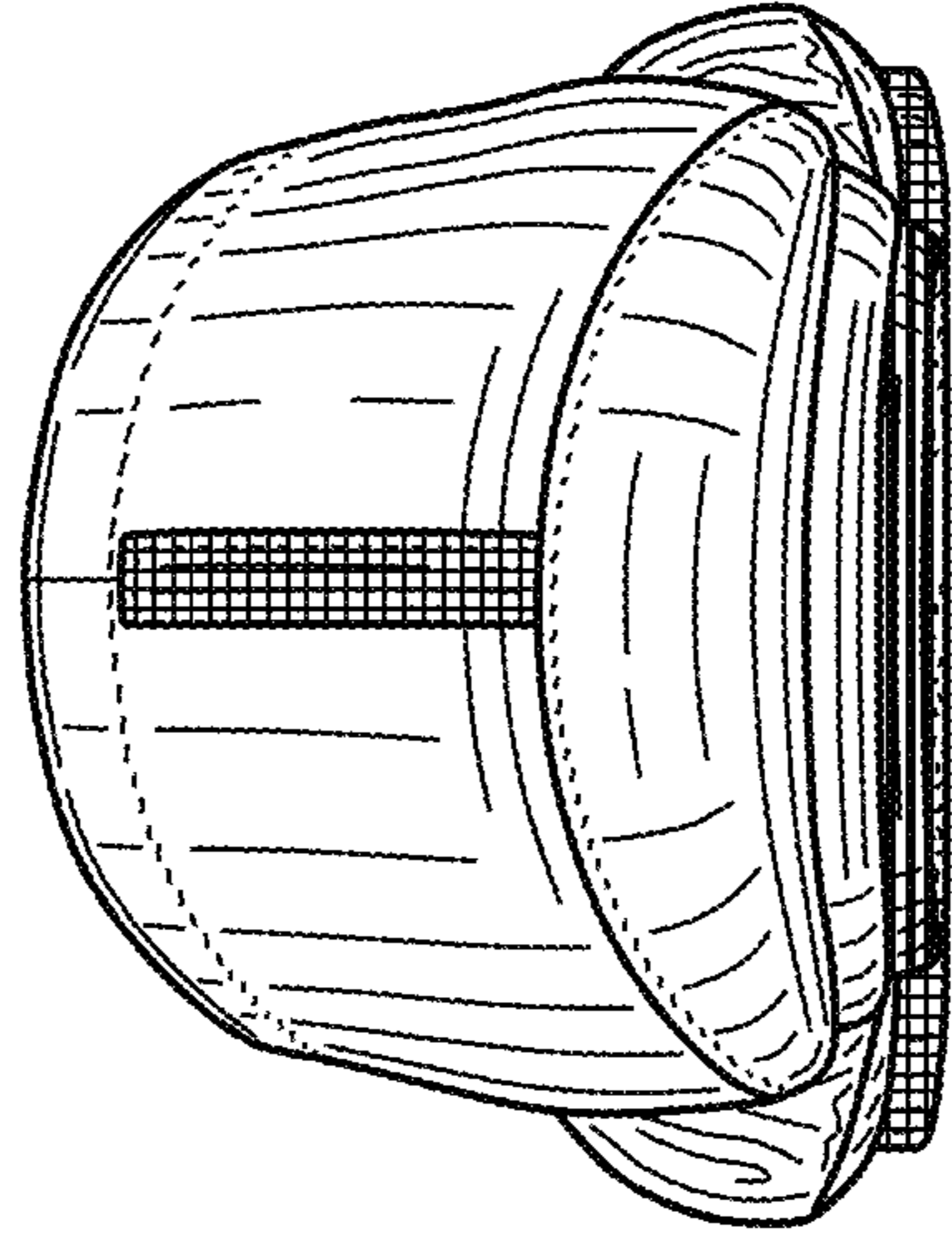


FIG. 23

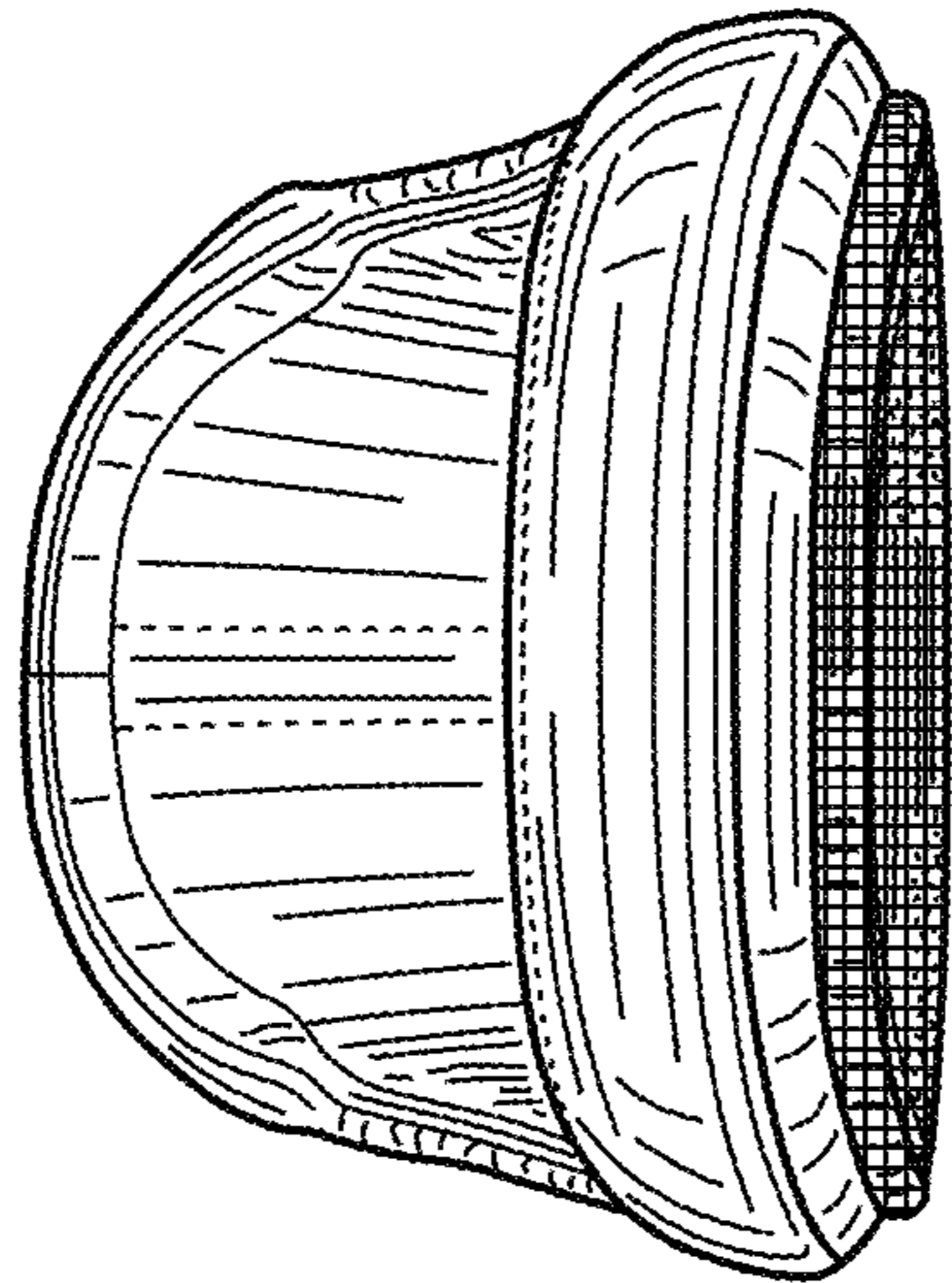


FIG. 22

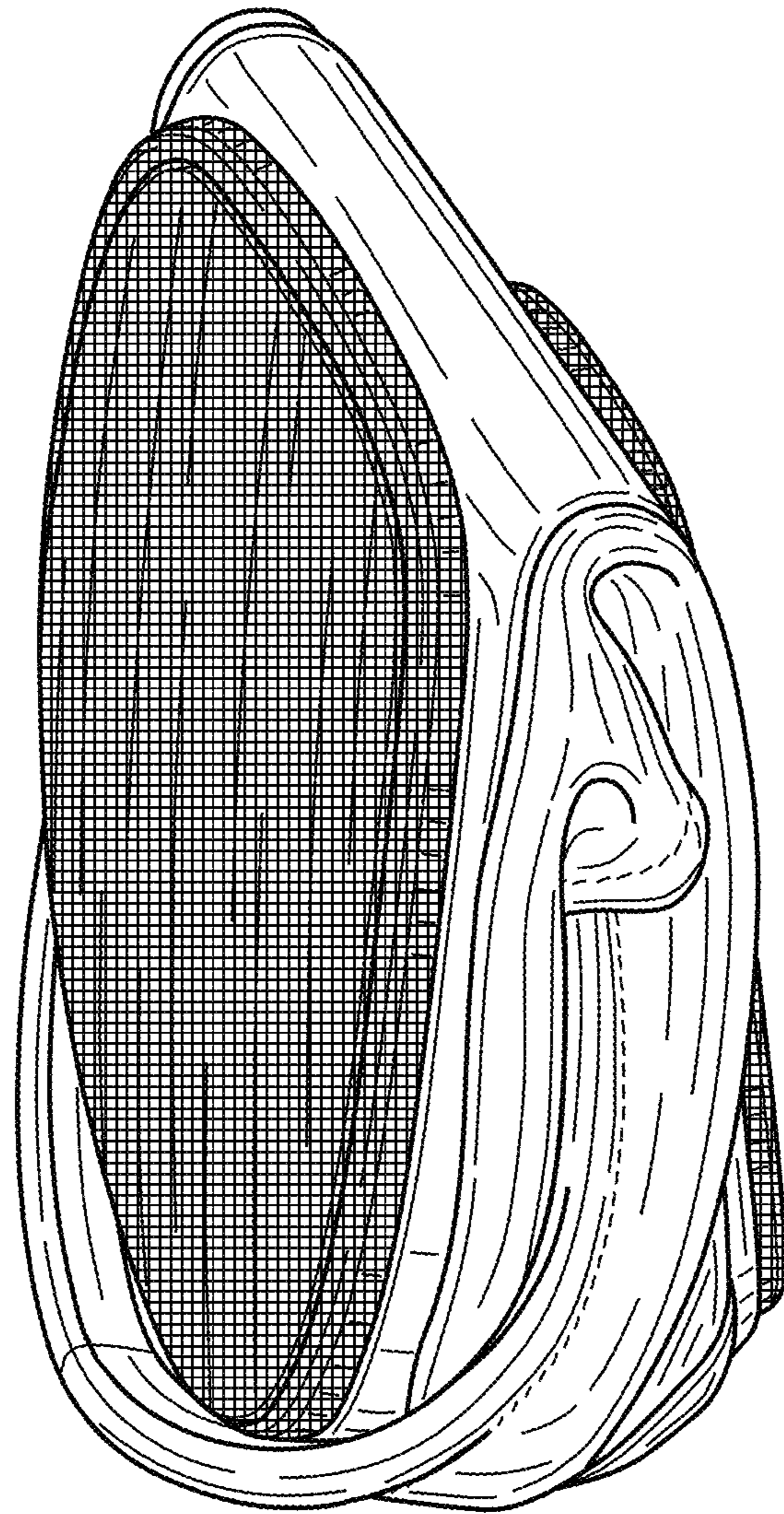


FIG. 24