



US00D688845S

(12) **United States Design Patent**
Hernandez et al.

(10) **Patent No.:** **US D688,845 S**

(45) **Date of Patent:** **** Aug. 27, 2013**

(54) **LOW PROFILE JACK**

(71) Applicant: **Alltrade Tools LLC**, Long Beach, CA (US)

(72) Inventors: **Hector Hernandez**, Fullerton, CA (US);
Eric Hennings, Anaheim, CA (US)

(73) Assignee: **Alltrade Tools LLC**, Long Beach, CA (US)

(**) Term: **14 Years**

(21) Appl. No.: **29/435,829**

(22) Filed: **Oct. 29, 2012**

(51) **LOC (9) Cl.** **12-05**

(52) **U.S. Cl.**
USPC **D34/31**

(58) **Field of Classification Search**
USPC D34/31, 28; 254/8 B, 8 R, 2 R, 93 H,
254/93 R, 124, DIG. 1, 134, 126
See application file for complete search history.

(56) **References Cited**

U.S. PATENT DOCUMENTS

D388,926 S	1/1998	Sorensen	
5,947,447 A	9/1999	Sorenson et al.	
D421,516 S *	3/2000	Hung	D34/31
D425,282 S	5/2000	Sorensen	
D531,377 S *	10/2006	Liu	D34/31
D537,225 S	2/2007	Hernandez	
D538,502 S	3/2007	Hernandez	

D548,922 S	8/2007	Hernandez	
D561,422 S *	2/2008	Kuen	D34/31
D563,623 S	3/2008	Hernandez	
D582,623 S *	12/2008	Qian et al.	D34/31
D590,121 S *	4/2009	Shen et al.	D34/31
D625,073 S *	10/2010	Hernandez	D34/31
D628,760 S *	12/2010	Fox et al.	D34/31

* cited by examiner

Primary Examiner — Cynthia Ramirez

(74) *Attorney, Agent, or Firm* — David J. Pitman; Fulwider Patton LLP

(57) **CLAIM**

The ornamental design for a low profile jack, as shown and described.

DESCRIPTION

FIG. 1 is a perspective view of my new design, shown in a first condition;

FIG. 2 is a perspective view of my new design, shown in a second condition;

FIG. 3 is a left side view thereof;

FIG. 4 is a right side view thereof;

FIG. 5 is a top view of thereof;

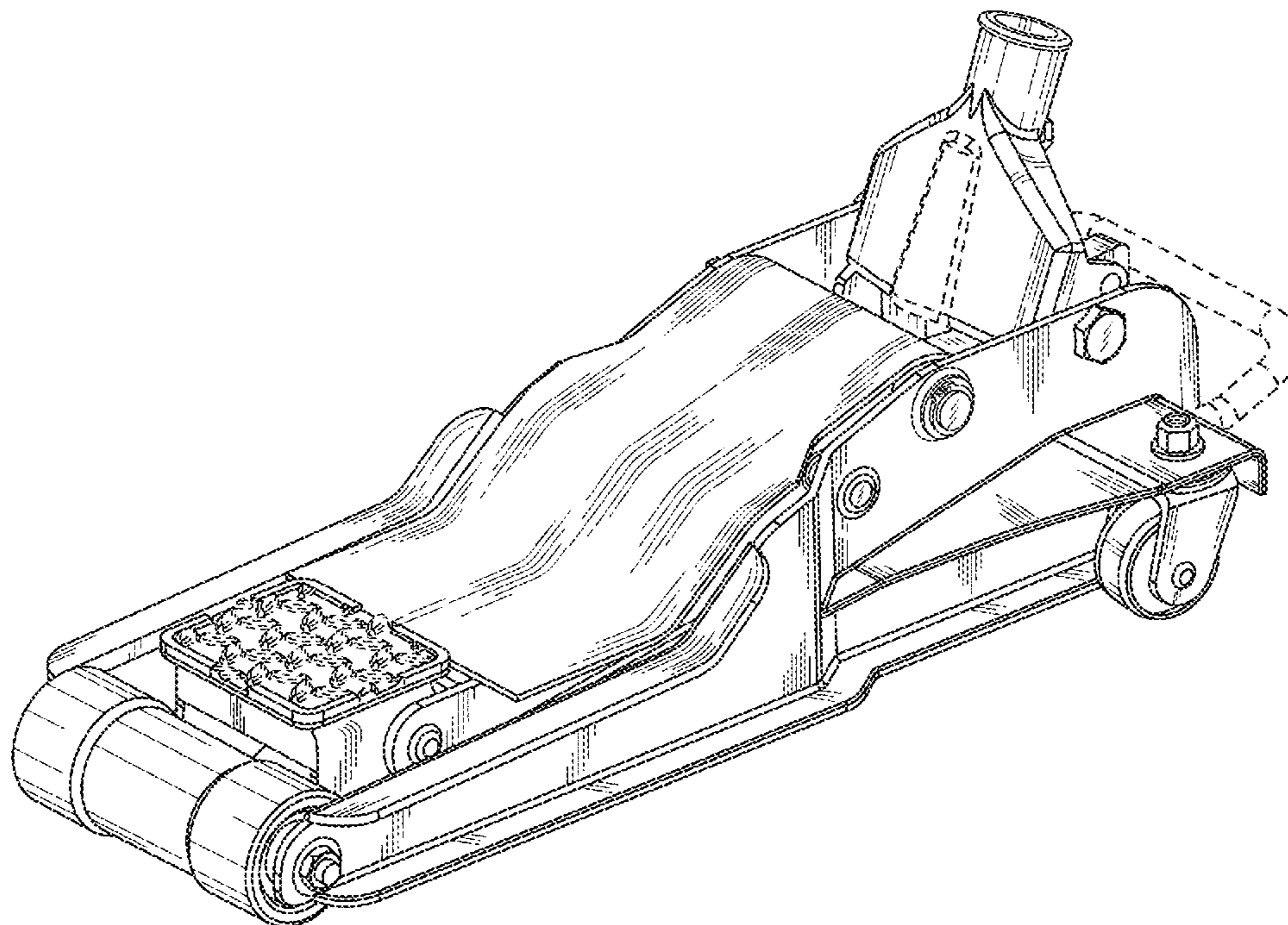
FIG. 6 is a front view thereof; and,

FIG. 7 is a back view thereof.

No view is shown of the bottom thereof, as this view forms no part of the claimed design.

The broken lines showing details in the Figures are included for the purpose of showing environmental context of the design, and form no part of the claimed design.

1 Claim, 7 Drawing Sheets



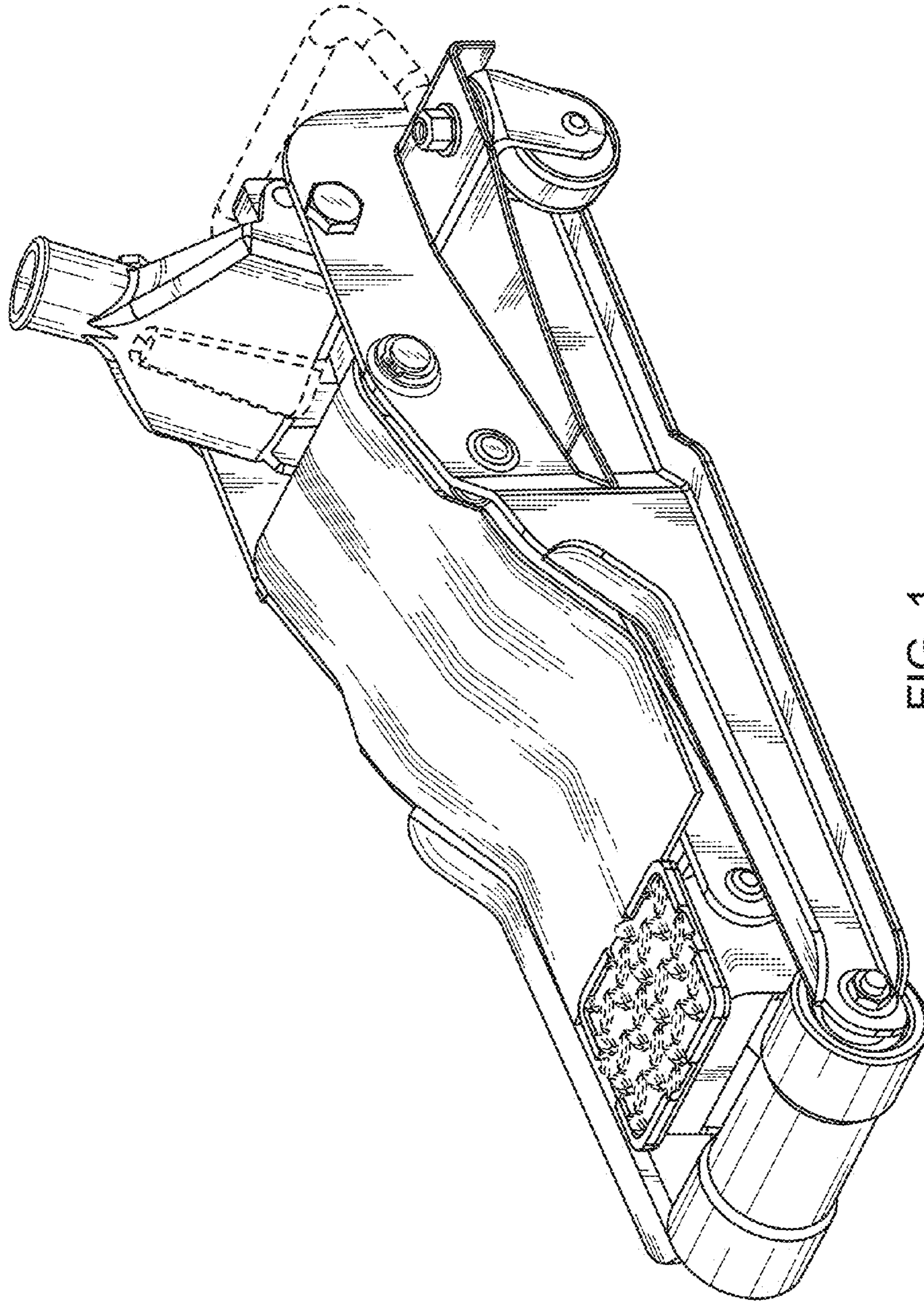


FIG. 1

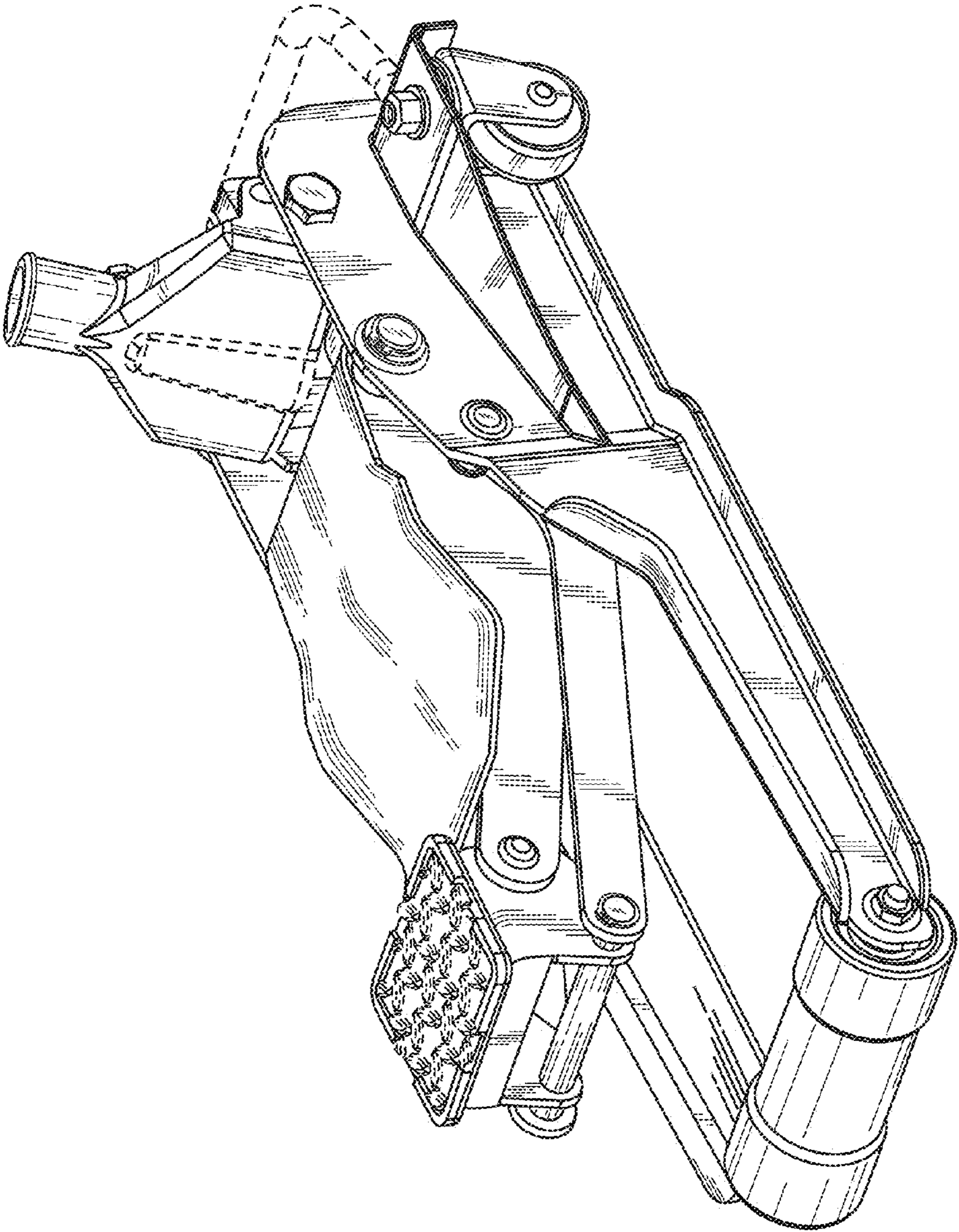


FIG. 2

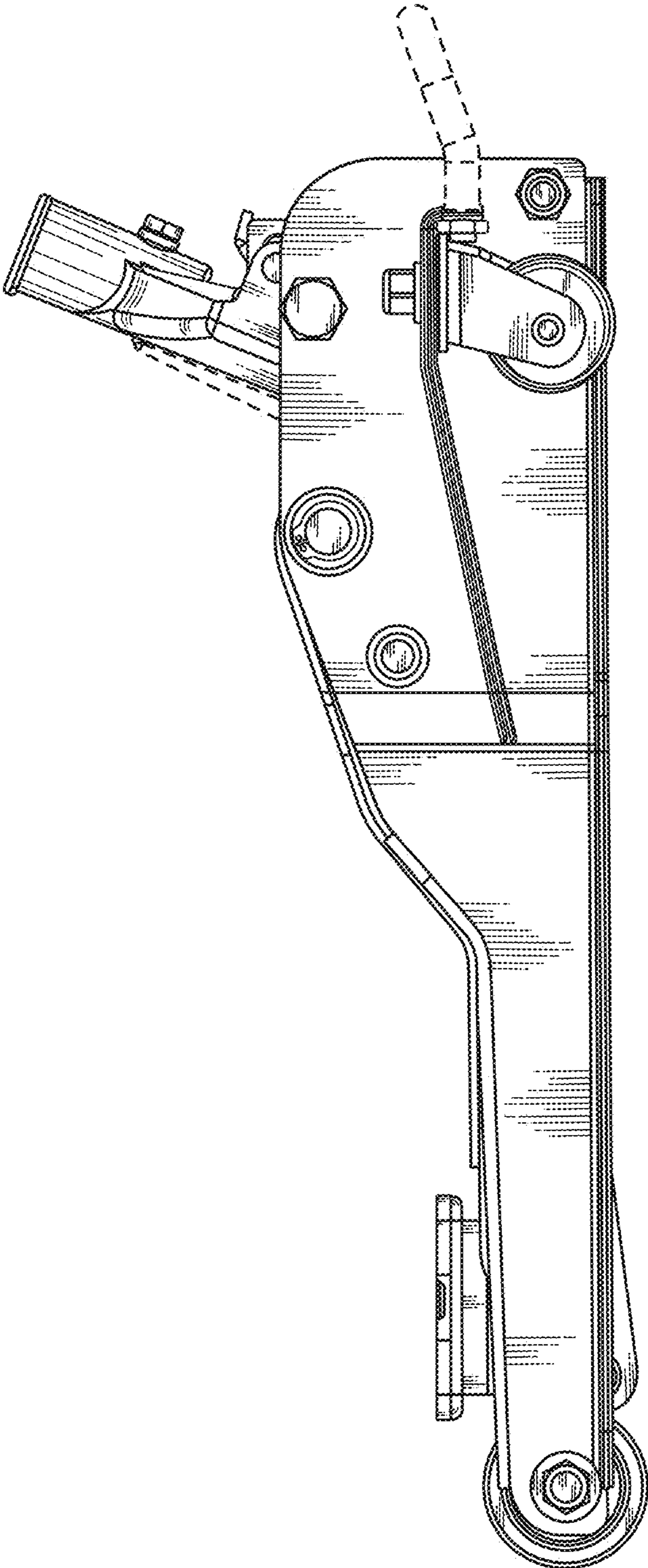


FIG. 3

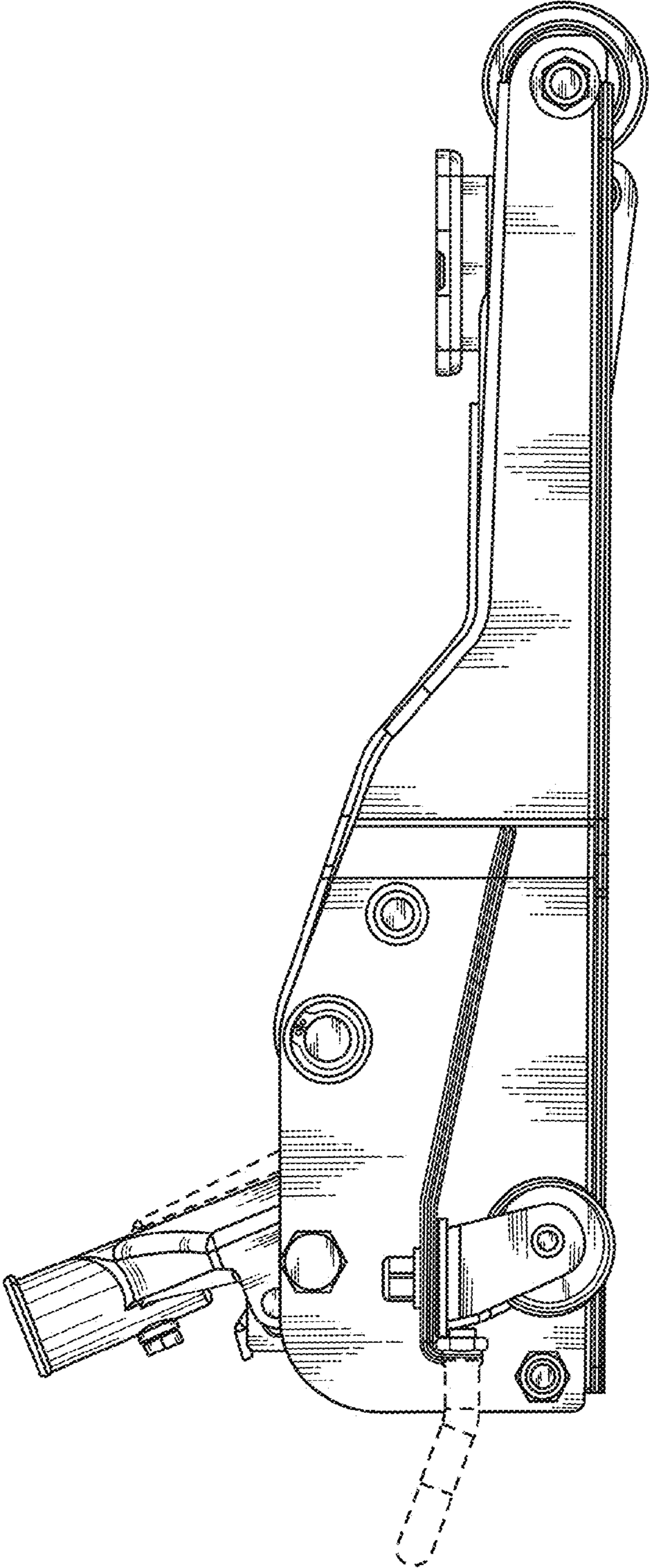


FIG. 4

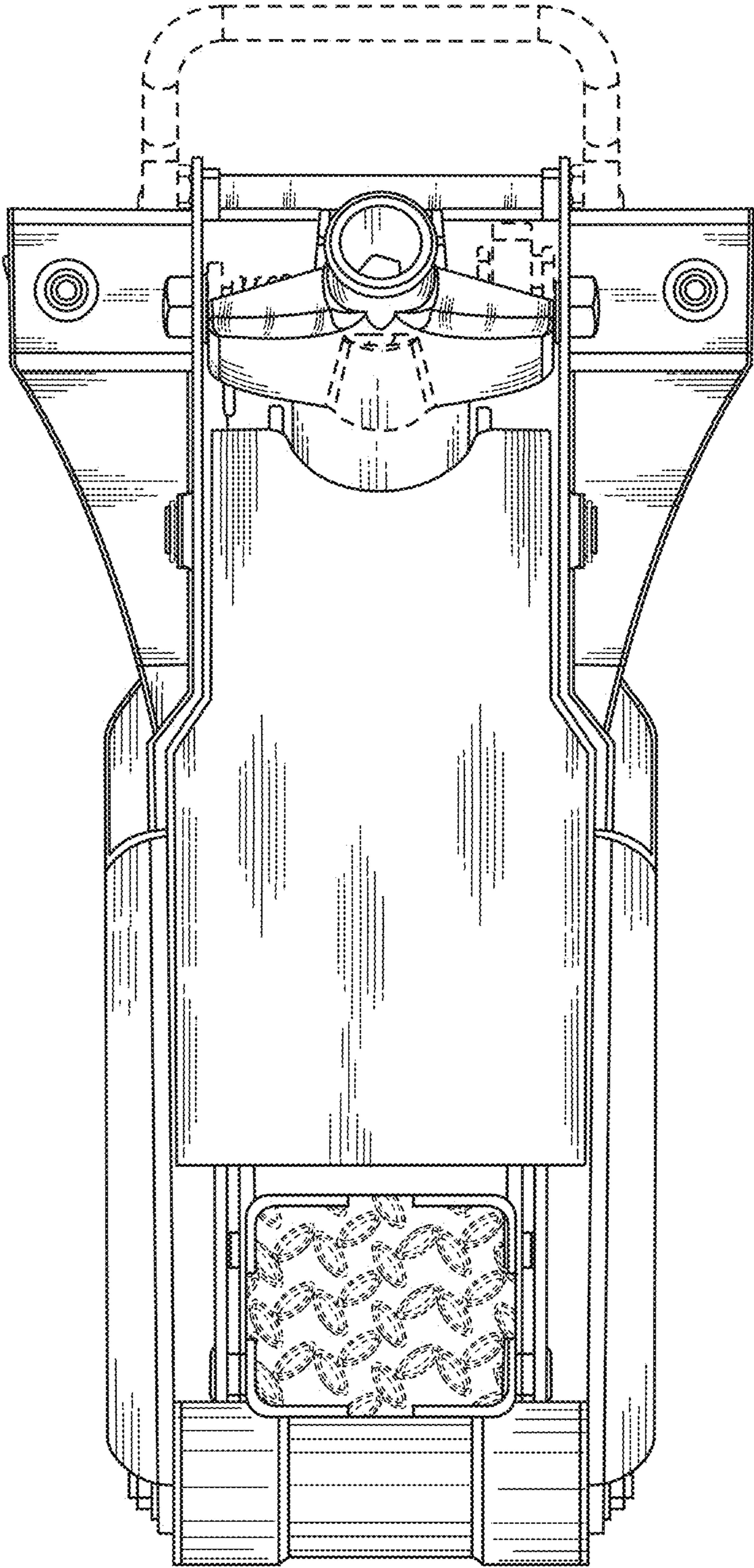


FIG. 5

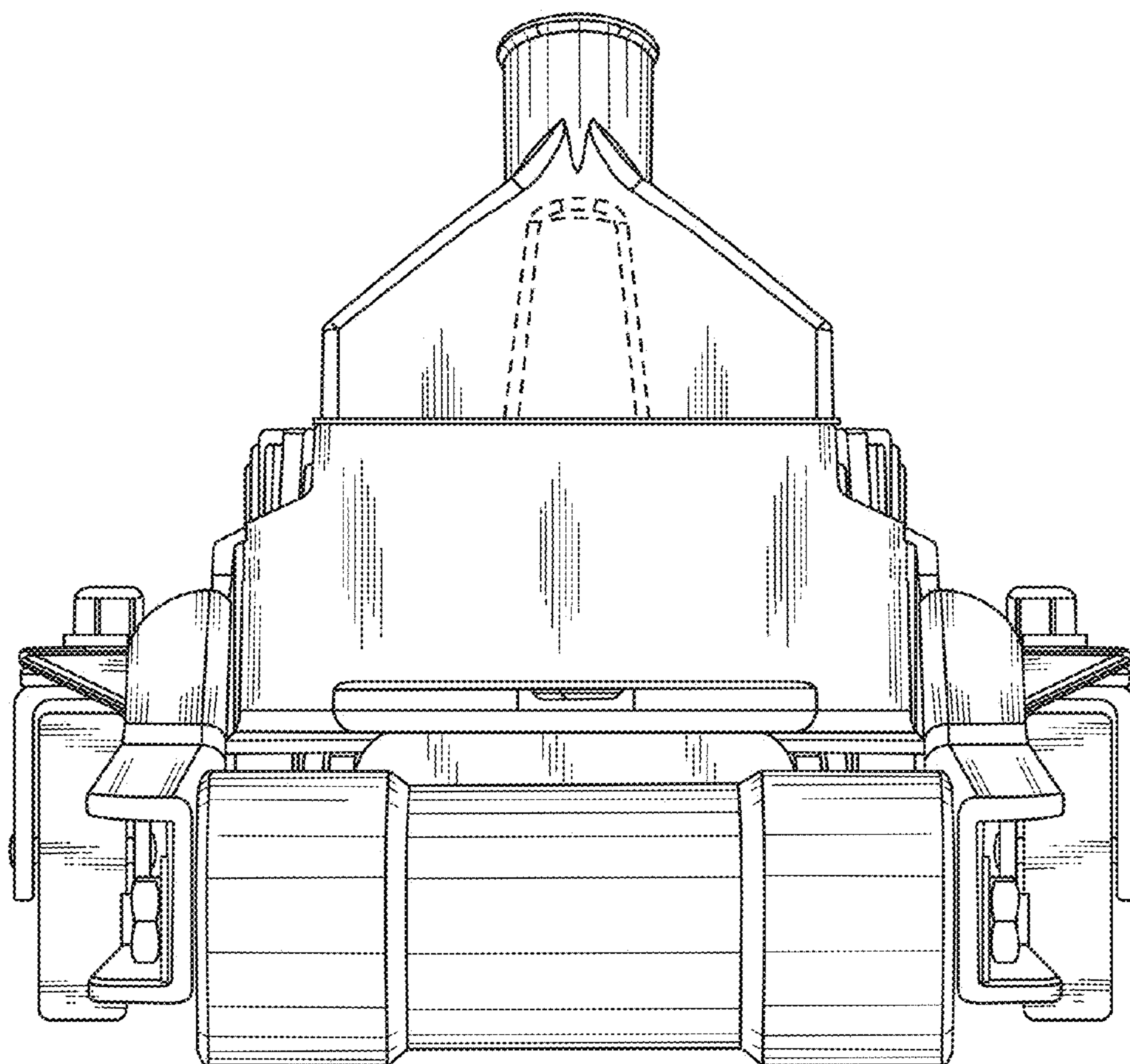


FIG. 6

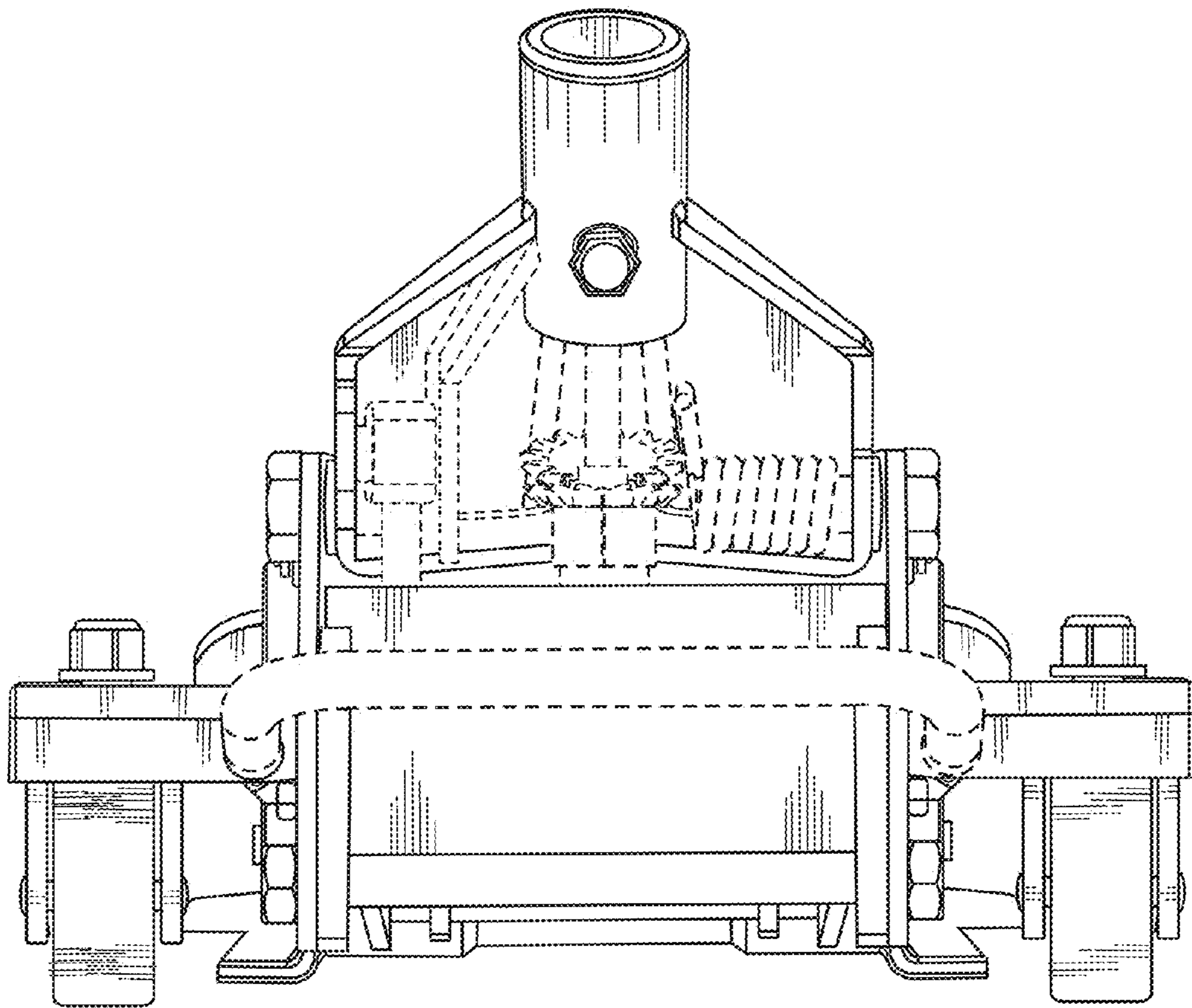


FIG. 7