



US00D688841S

(12) **United States Design Patent**
van Deursen

(10) **Patent No.:** **US D688,841 S**

(45) **Date of Patent:** **** Aug. 27, 2013**

- (54) **PRESSURE WASHER FRAME**
- (75) Inventor: **Gary E. van Deursen**, Essex, CT (US)
- (73) Assignee: **Briggs & Stratton Corporation**,
Wauwatosa, WI (US)
- (**) Term: **14 Years**
- (21) Appl. No.: **29/419,474**
- (22) Filed: **Apr. 27, 2012**
- (51) **LOC (9) Cl.** **15-05**
- (52) **U.S. Cl.**
USPC **D32/25**
- (58) **Field of Classification Search**
USPC D32/1, 4, 15-16, 25; D34/12, 24;
15/320-321, 340.2; 239/146-149
See application file for complete search history.

- D467,692 S * 12/2002 Morgan et al. D32/15
- D472,519 S 4/2003 Buck
- D484,565 S 12/2003 Ariaz
- D486,447 S 2/2004 Fan
- D489,327 S 5/2004 Imai
- 6,750,556 B2 6/2004 Sodemann et al.
- D494,929 S 8/2004 Imai
- 6,777,846 B2 8/2004 Feldner et al.
- D501,182 S 1/2005 Buck
- 6,935,642 B1 8/2005 Craig et al.
- 6,952,056 B2 10/2005 Brandenburg et al.

(Continued)

OTHER PUBLICATIONS

U.S. Appl. No. 29/357,175, filed Mar. 18, 2010, Gary E. Van Deursen.

(Continued)

Primary Examiner — T. Chase Nelson
Assistant Examiner — Kathleen M Sims
(74) *Attorney, Agent, or Firm* — Foley & Lardner LLP

(56) **References Cited**

U.S. PATENT DOCUMENTS

- D106,969 S 11/1937 Gerald
- D200,401 S * 2/1965 Olson D34/18
- D276,997 S 1/1985 Mikado
- D278,425 S 4/1985 Toshihiko
- D284,415 S 6/1986 Cahoon
- D293,904 S 1/1988 Murakami et al.
- 4,741,505 A 5/1988 Anderson
- 5,965,949 A 10/1999 Fukuda et al.
- 5,967,426 A * 10/1999 McLeod 239/662
- D418,809 S 1/2000 Frank
- D429,314 S * 8/2000 Bower et al. D23/225
- D444,279 S * 6/2001 Kristiansen et al. D34/12
- D451,257 S * 11/2001 Moritsch D34/24
- D458,423 S * 6/2002 Rehkugler et al. D32/16
- D459,851 S * 7/2002 Rehkugler et al. D34/24
- 6,424,060 B1 7/2002 Shiely et al.
- D463,888 S * 10/2002 Rehkugler et al. D32/16

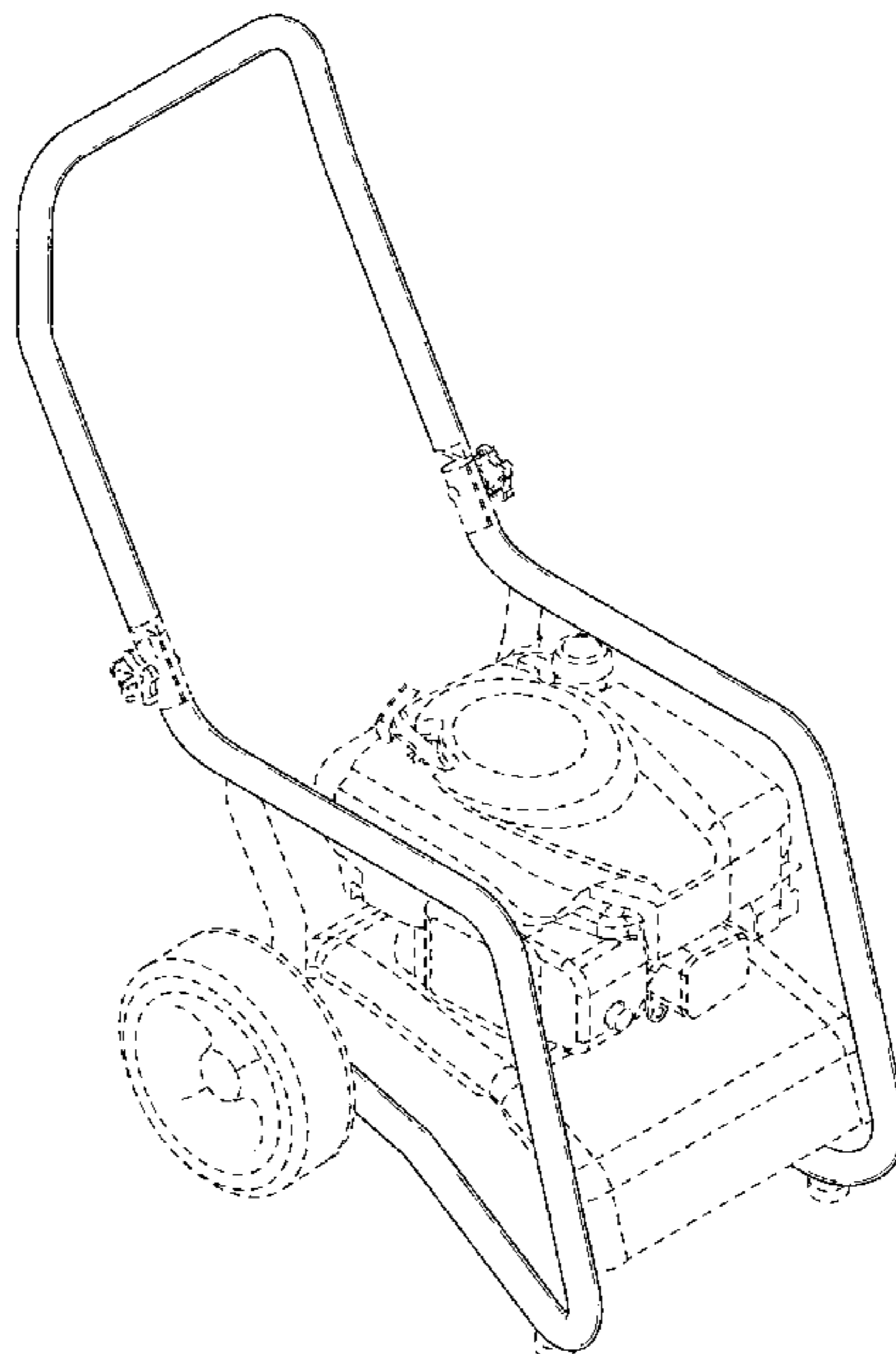
(57) **CLAIM**

I claim the ornamental design for a pressure washer frame, as shown and described.

DESCRIPTION

FIG. 1 is a front perspective view from above of a pressure washer frame showing my new design;
FIG. 2 is a front view of the claimed design of FIG. 1;
FIG. 3 is a rear view of the claimed design of FIG. 1;
FIG. 4 is a right side view of the claimed design of FIG. 1;
FIG. 5 is a left side view of the claimed design of FIG. 1; and,
FIG. 6 is a top view of the claimed design of FIG. 1.
In the drawings, the broken lines shown in the Figures depict unclaimed subject matter only and form no part of the claimed design.

1 Claim, 6 Drawing Sheets



(56)

References Cited

U.S. PATENT DOCUMENTS

6,975,216 B2 12/2005 Tharman et al.
6,998,725 B2 2/2006 Brandenburg et al.
7,015,404 B2 3/2006 Sodemann et al.
7,015,599 B2 3/2006 Gull et al.
7,053,497 B2 5/2006 Sodemann et al.
7,057,108 B1 6/2006 Sodemann et al.
7,104,847 B2 9/2006 Sodemann et al.
D532,942 S * 11/2006 Busschaert D32/15
7,148,580 B2 12/2006 Sodemann et al.
7,161,253 B2 1/2007 Sodemann et al.
7,314,397 B2 1/2008 Sodemann et al.
D567,175 S 4/2008 Knuteson et al.
7,356,384 B2 4/2008 Gull et al.
7,390,224 B2 6/2008 Sodemann et al.

D580,610 S * 11/2008 Hawkins D32/25
7,471,505 B2 12/2008 Gull et al.
7,492,050 B2 2/2009 Brandenburg et al.
D590,110 S * 4/2009 Hawkins D32/25
7,604,246 B2 * 10/2009 Sodemann et al. 280/47.315
D622,471 S * 8/2010 Hernandez D34/12
D633,263 S * 2/2011 Fay D32/15
D634,083 S * 3/2011 Fay D32/15
7,927,033 B2 * 4/2011 Gansebom et al. 401/139
2008/0093862 A1 4/2008 Brandenburg et al.

OTHER PUBLICATIONS

Product Information taken from www.briggsandstratton.com/engine_power/details.aspx, printed on Feb. 17, 2010, 16 pages.

* cited by examiner

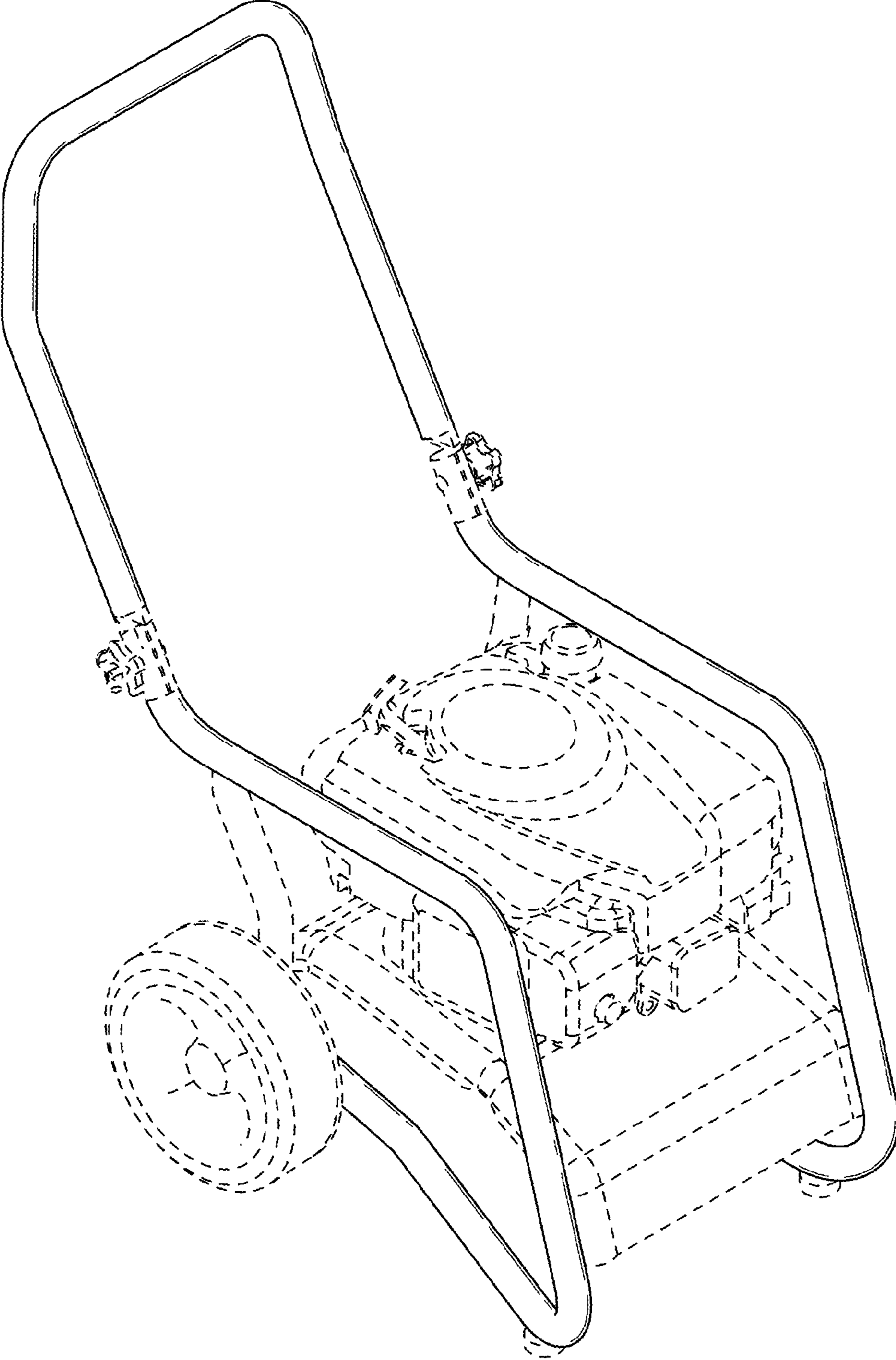


FIG. 1

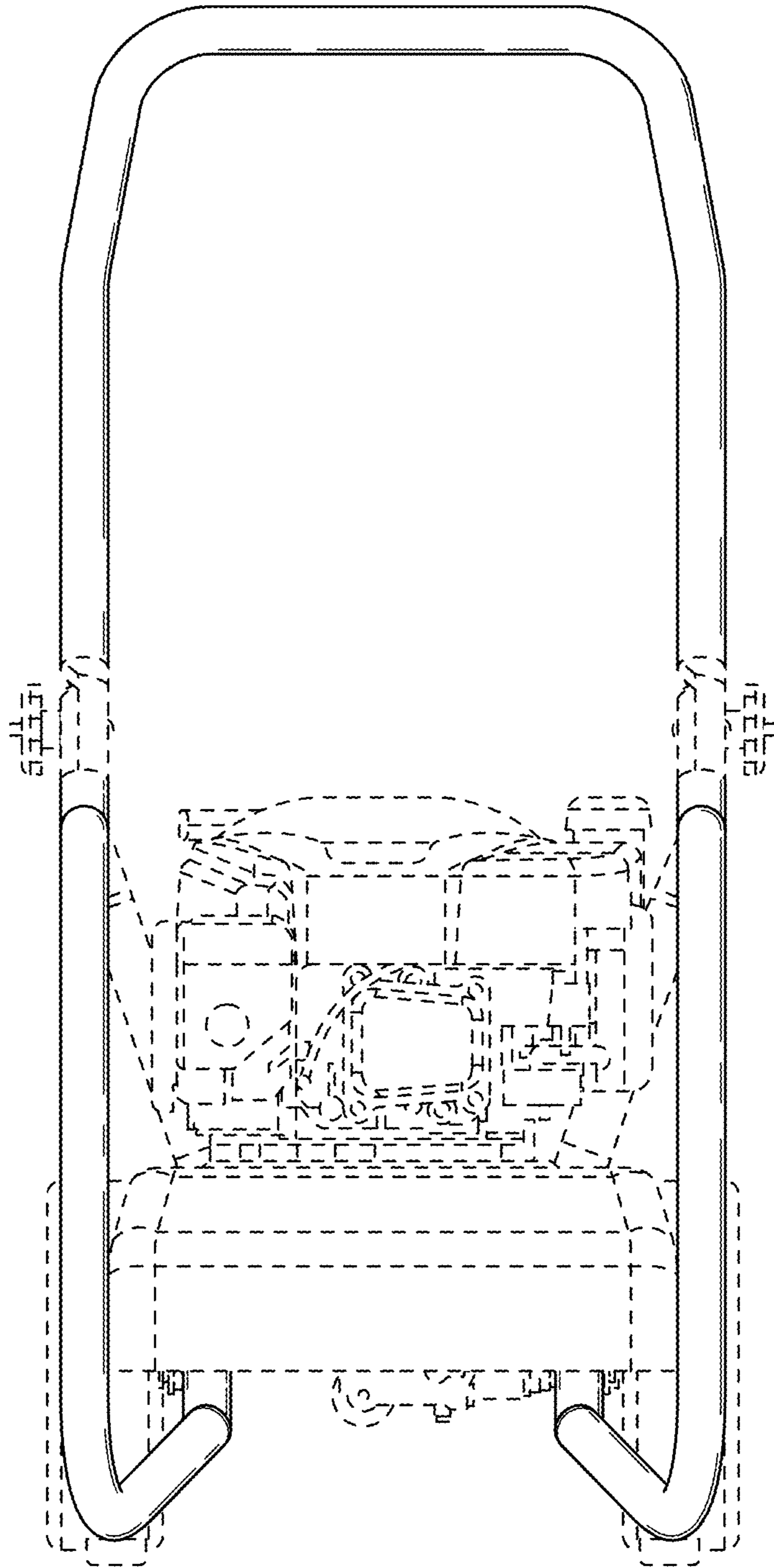


FIG. 2

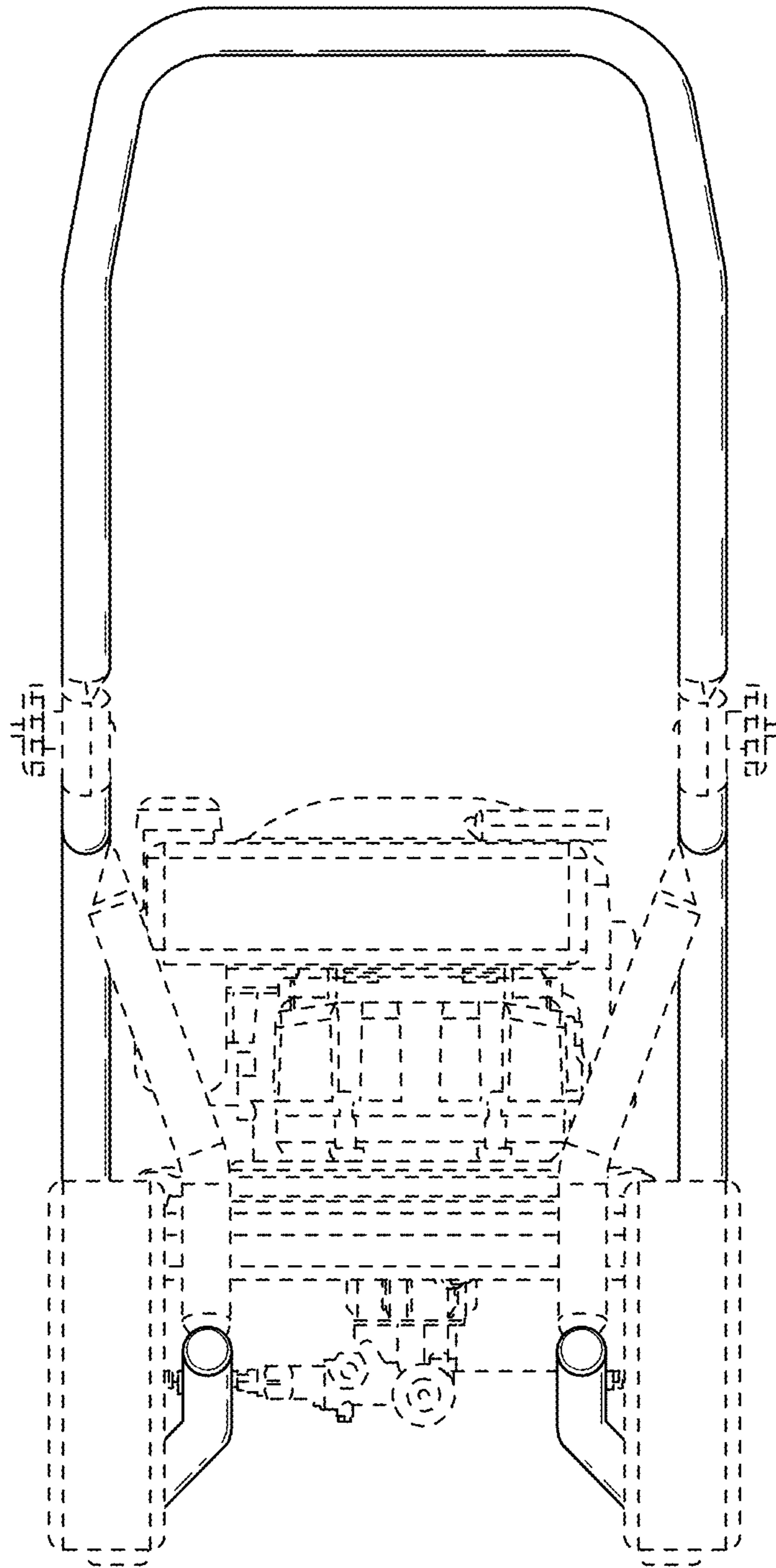


FIG. 3

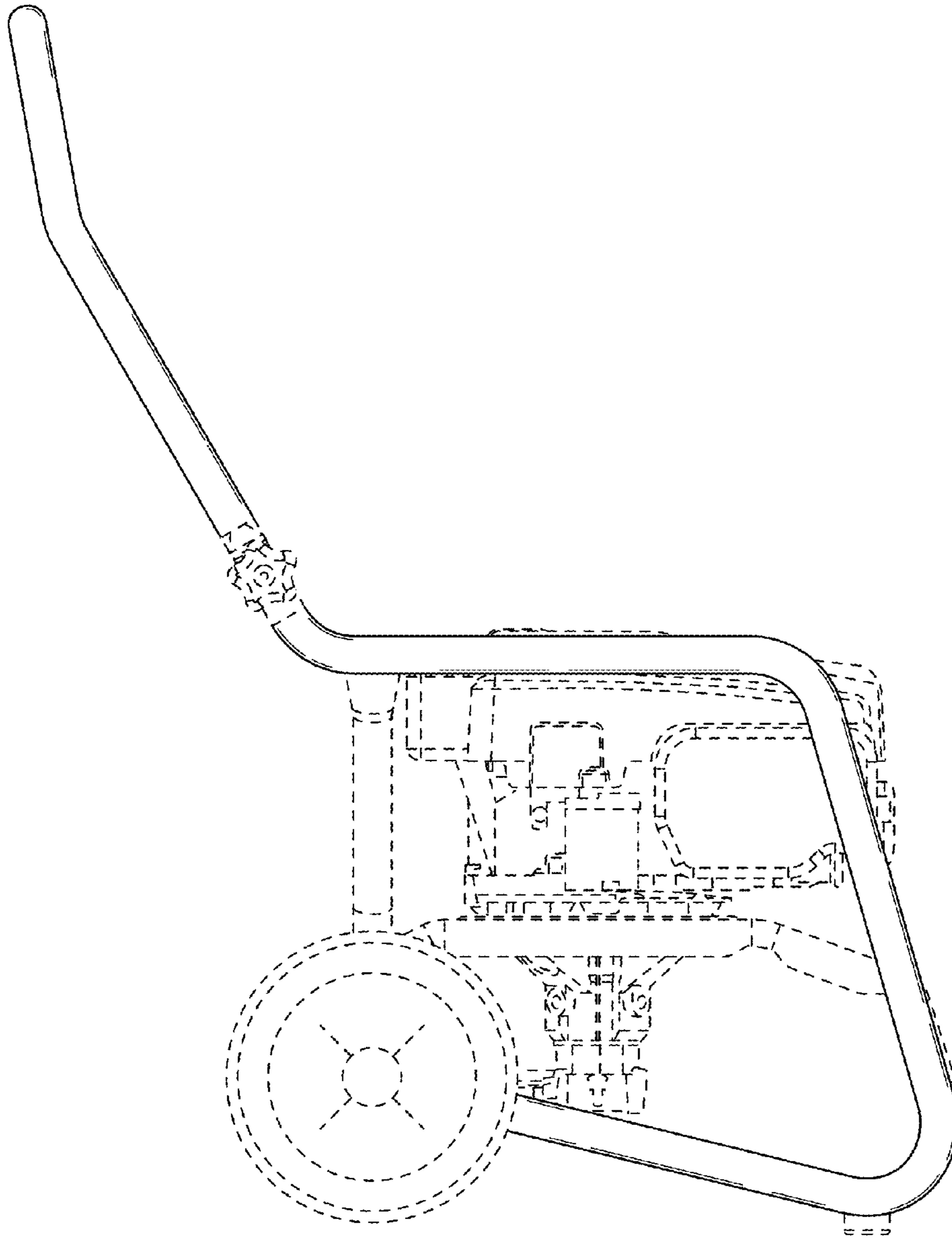


FIG. 4

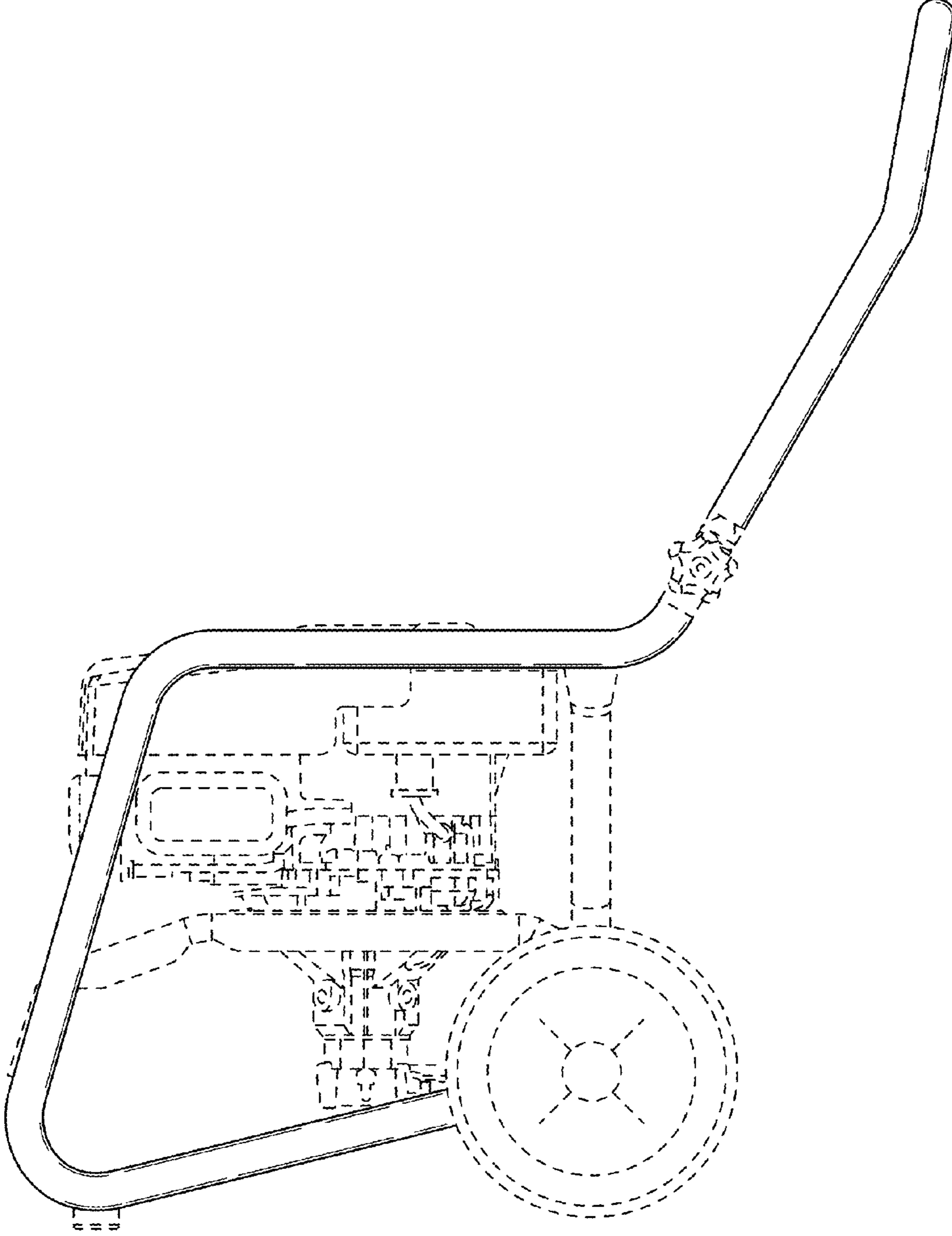


FIG. 5

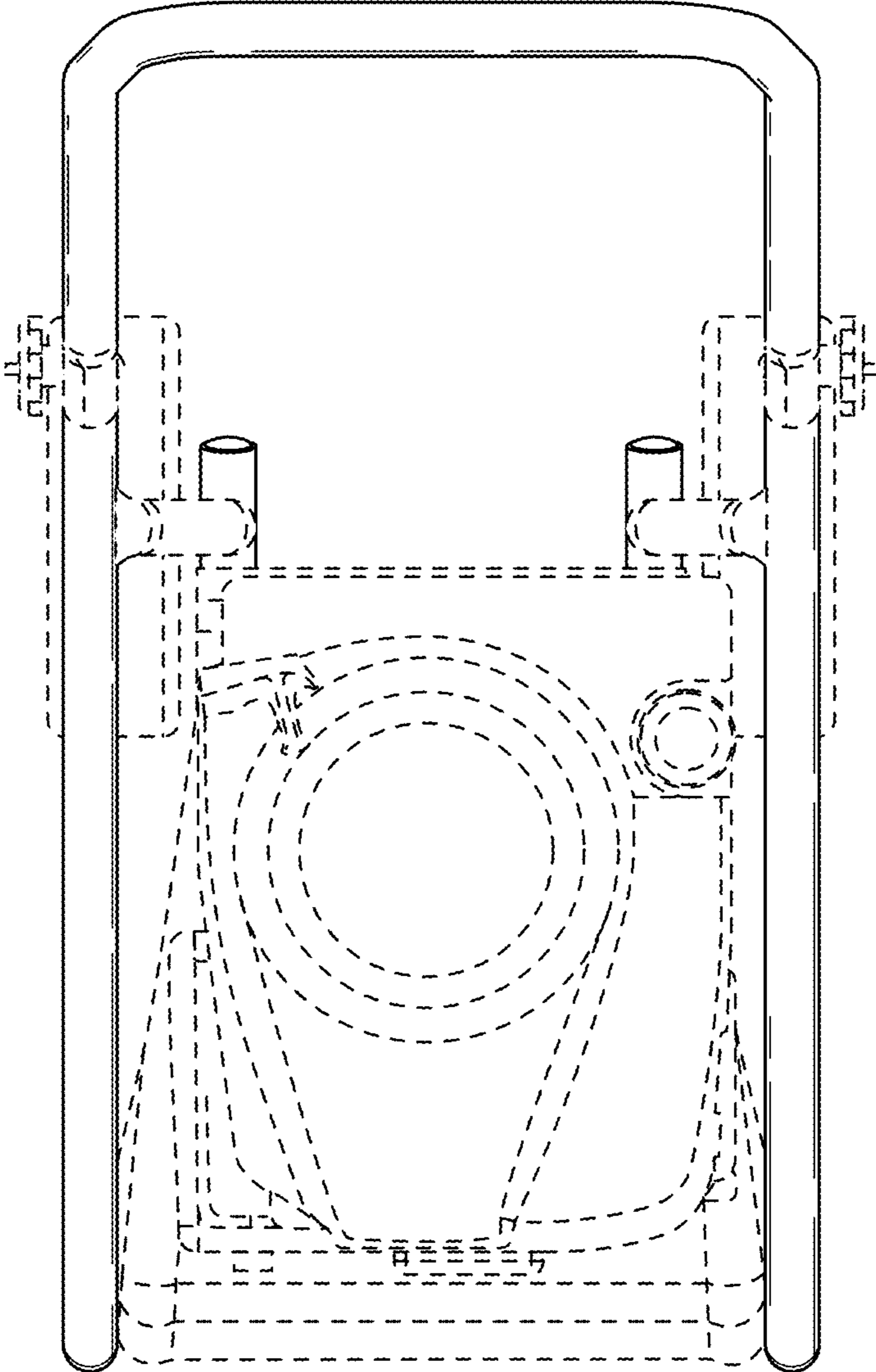


FIG. 6