



US00D688837S

(12) **United States Design Patent**
Paculdo et al.

(10) **Patent No.:** **US D688,837 S**

(45) **Date of Patent:** **** Aug. 27, 2013**

(54) **CAT SCRATCHER**

(71) Applicant: **Worldwise, Inc.**, San Rafael, CA (US)

(72) Inventors: **Sara Paculdo**, San Francisco, CA (US);
Regina Chern, Danville, CA (US)

(73) Assignee: **Worldwise, Inc.**, San Rafael, CA (US)

(**) Term: **14 Years**

(21) Appl. No.: **29/438,885**

(22) Filed: **Dec. 4, 2012**

(51) **LOC (9) Cl.** **30-99**

(52) **U.S. Cl.**
USPC **D30/160**

(58) **Field of Classification Search**
USPC D30/118, 160; D6/349, 601; 119/702,
119/706-711
See application file for complete search history.

(56) **References Cited**

U.S. PATENT DOCUMENTS

D630,386 S * 1/2011 Bise D30/118
D644,795 S * 9/2011 Haaf D30/160
D651,371 S * 12/2011 Seliskar et al. D30/160

D652,179 S * 1/2012 Haaf D30/160
D653,820 S * 2/2012 Haaf D30/160
D655,464 S * 3/2012 Seliskar et al. D30/160
D663,492 S * 7/2012 Haaf et al. D30/160
D663,493 S * 7/2012 Haaf et al. D30/160
D663,905 S * 7/2012 Haaf et al. D30/160

* cited by examiner

Primary Examiner — Cathy A MacCormac

(74) *Attorney, Agent, or Firm* — Bay Area Technology Law Group PC

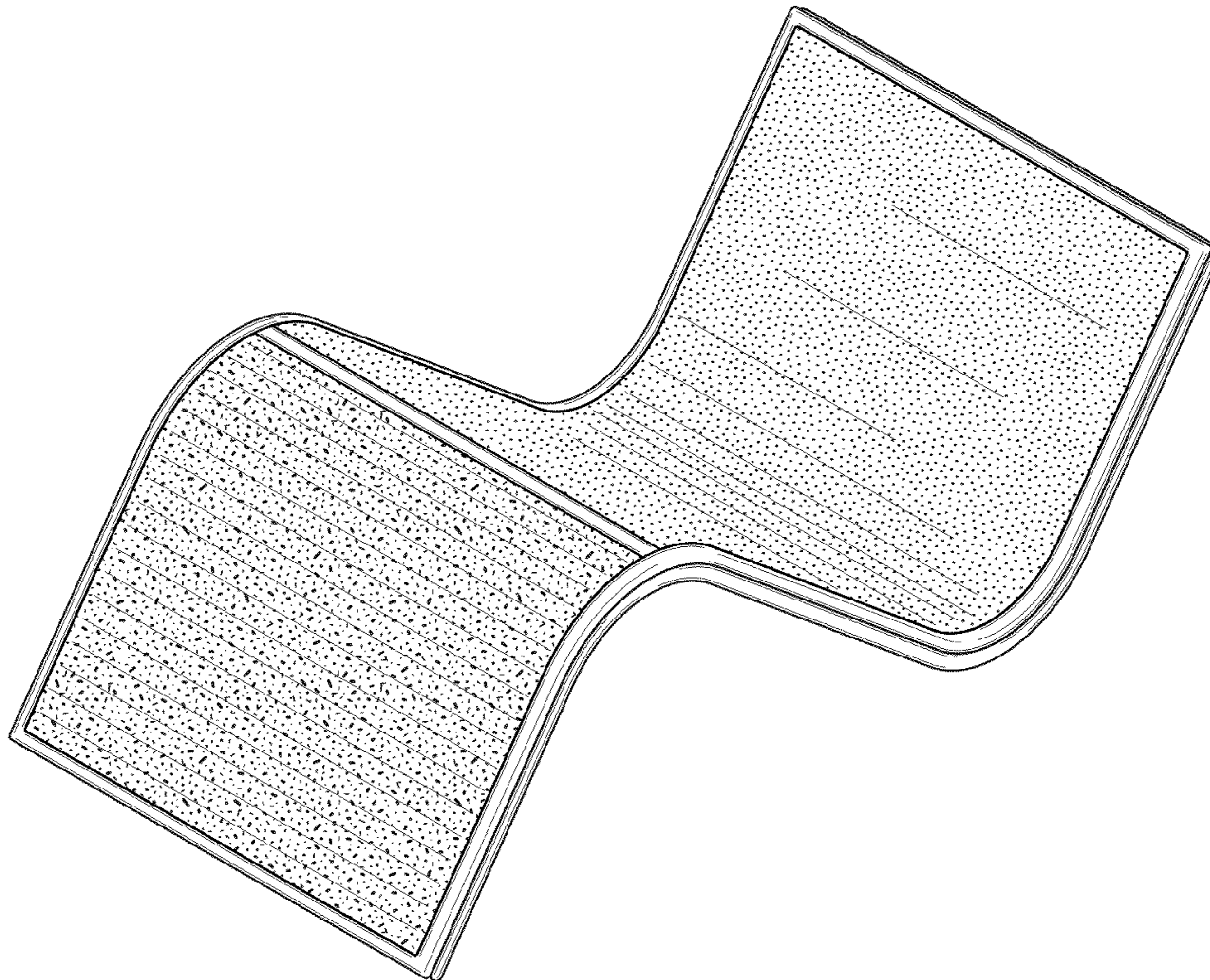
(57) **CLAIM**

The ornamental design for a cat scratcher, as shown and described.

DESCRIPTION

FIG. 1 is a perspective view of a cat scratcher showing our new design;
FIG. 2 is a right side view of FIG. 1;
FIG. 3 is a left side view of FIG. 1;
FIG. 4 is a top plan view of FIG. 1;
FIG. 5 is a bottom plan view of FIG. 1;
FIG. 6 is a rear view of FIG. 1; and,
FIG. 7 is a front view of FIG. 1.

1 Claim, 2 Drawing Sheets



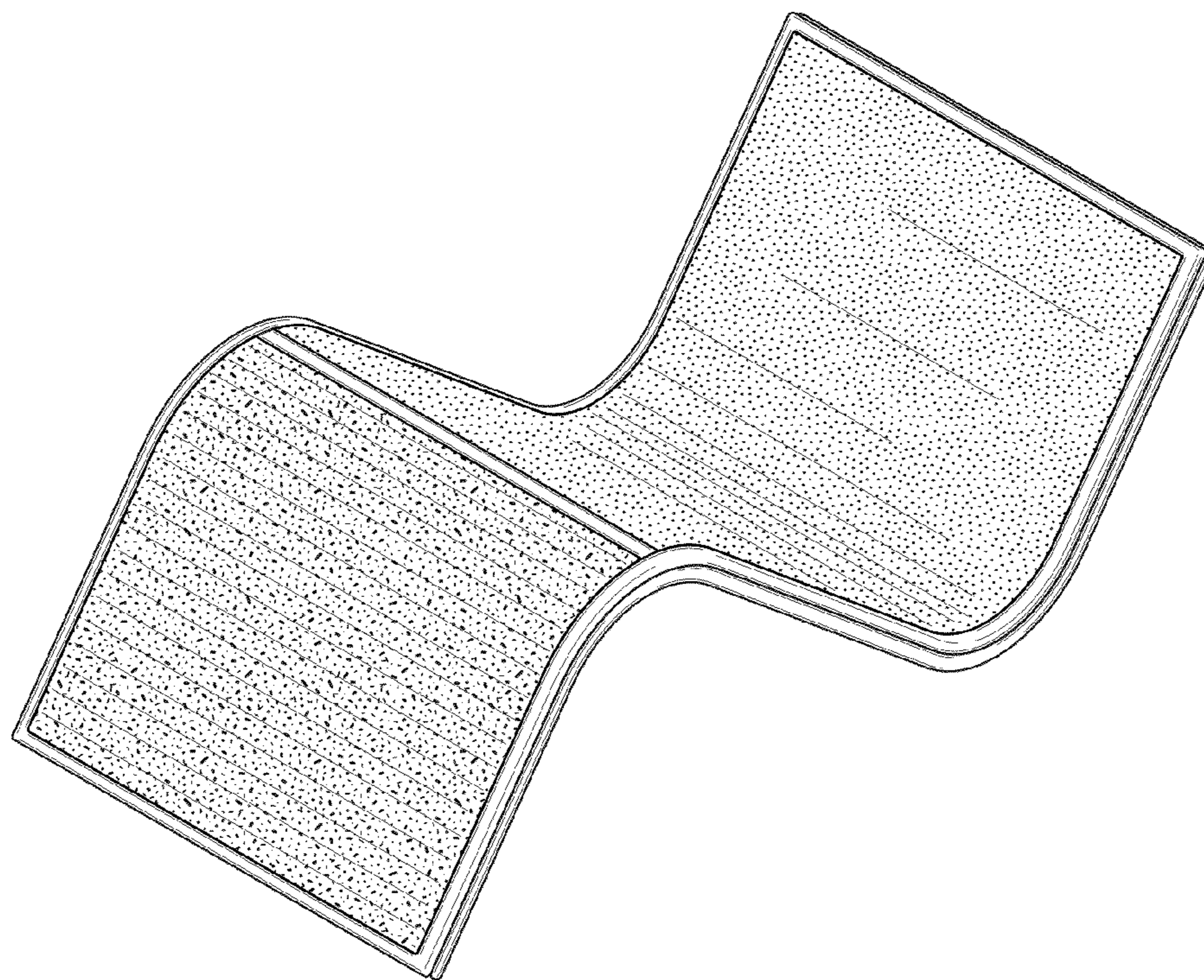


FIG. 1

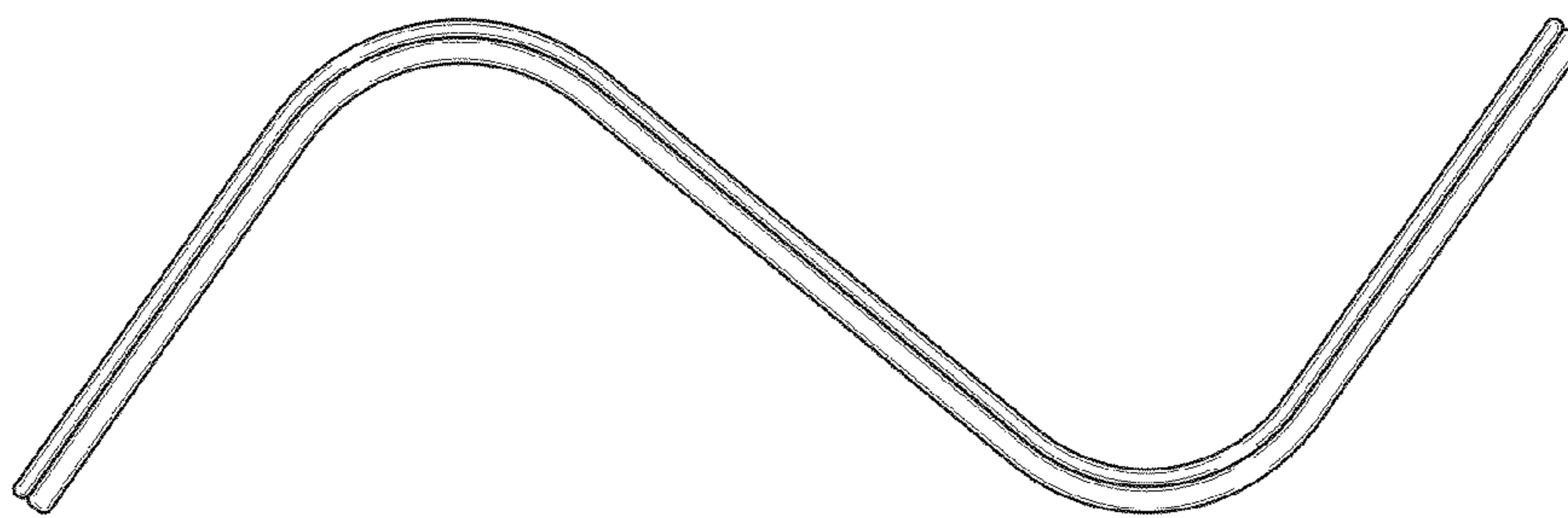


FIG. 2

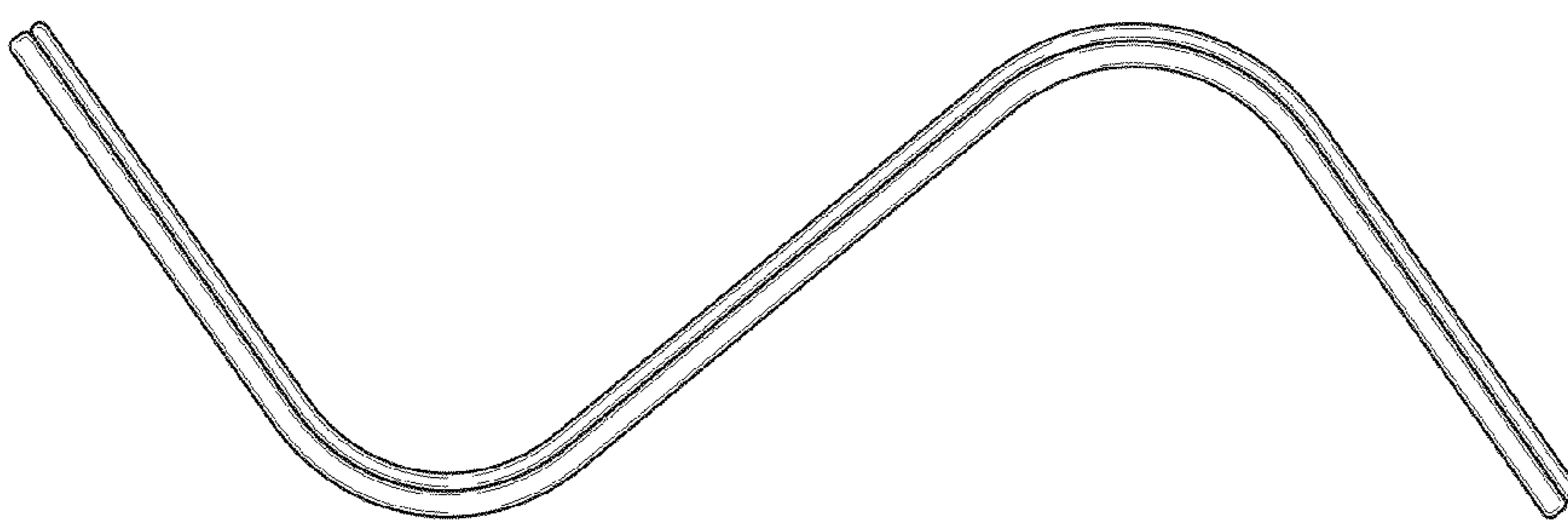


FIG. 3

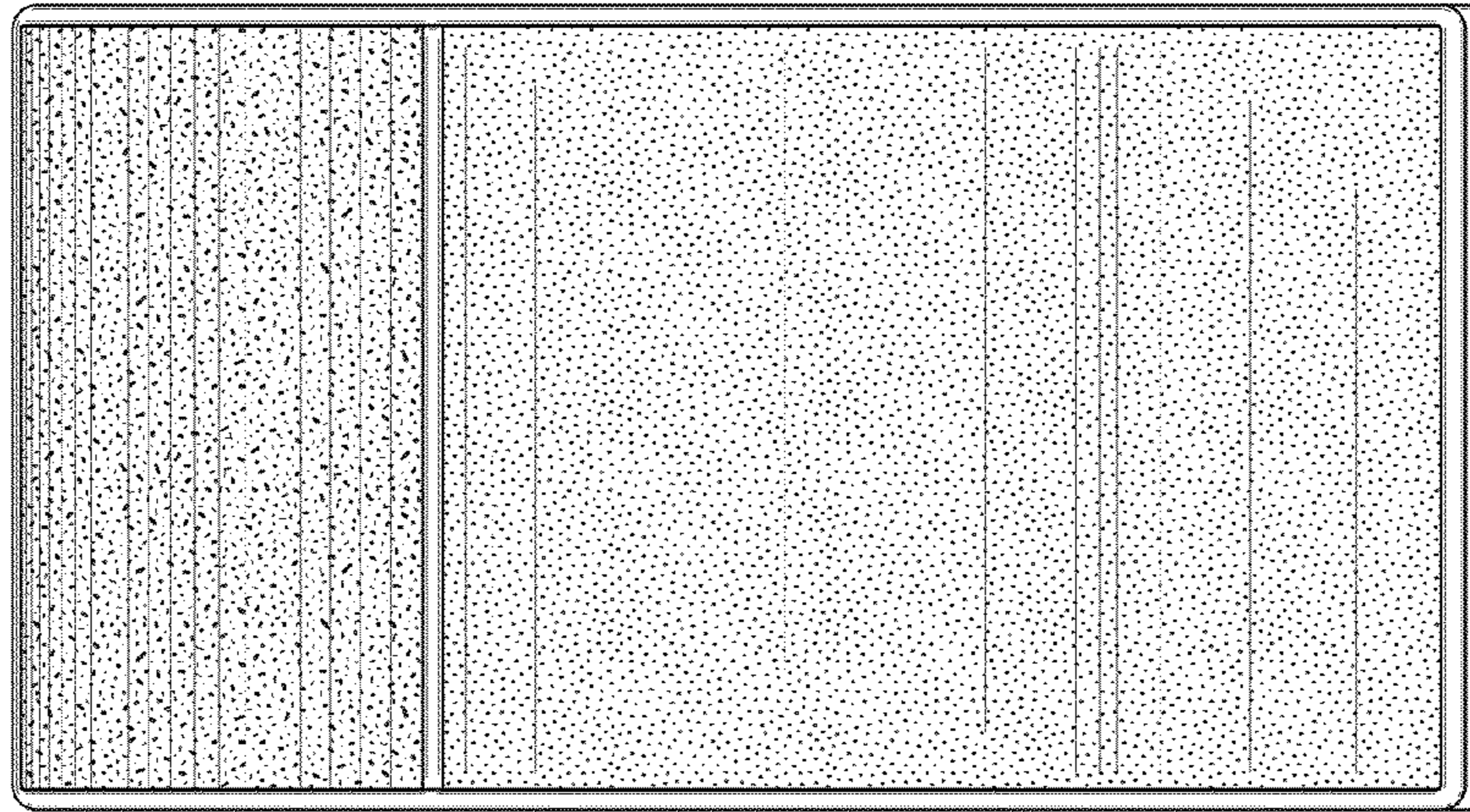


FIG. 4

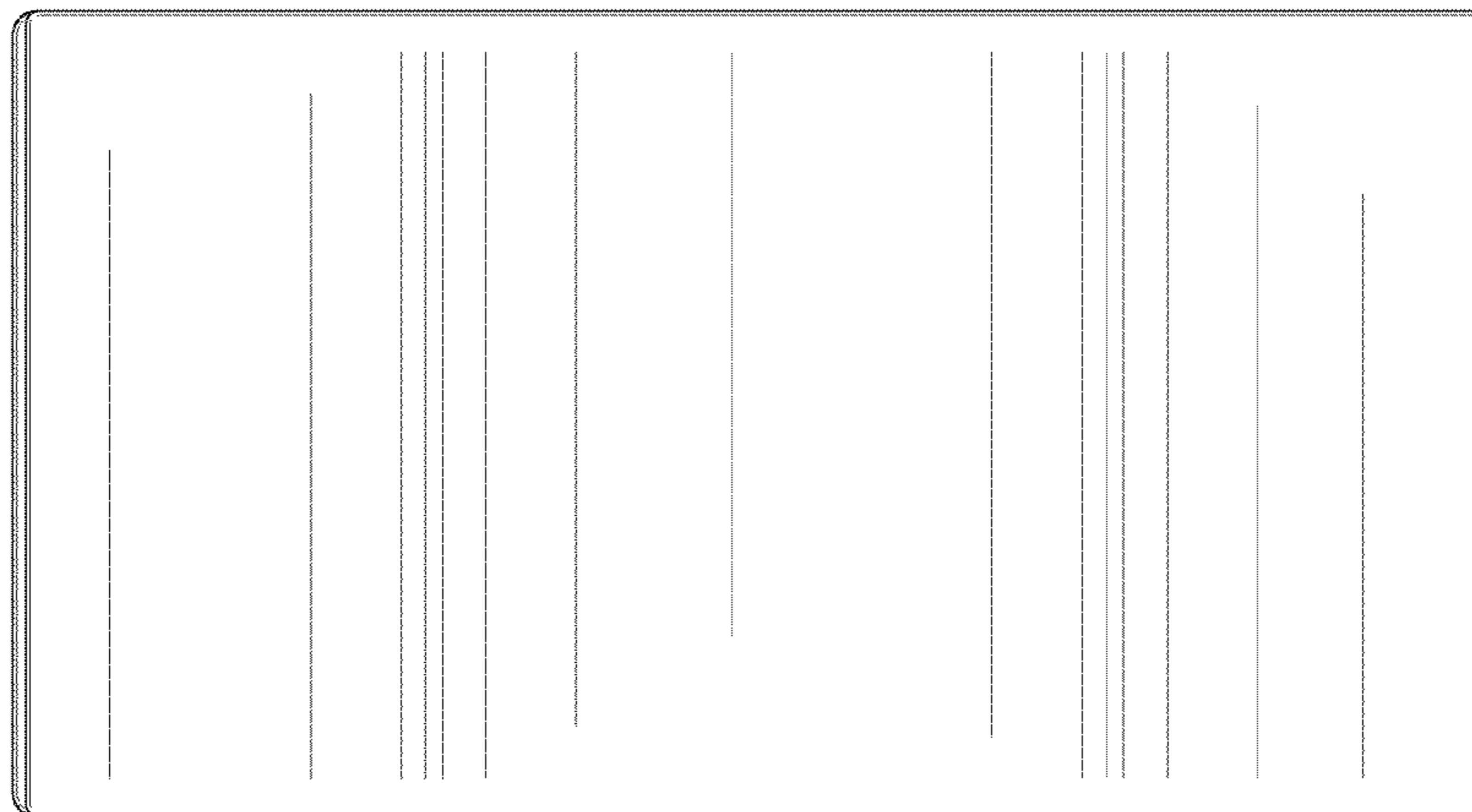


FIG. 5

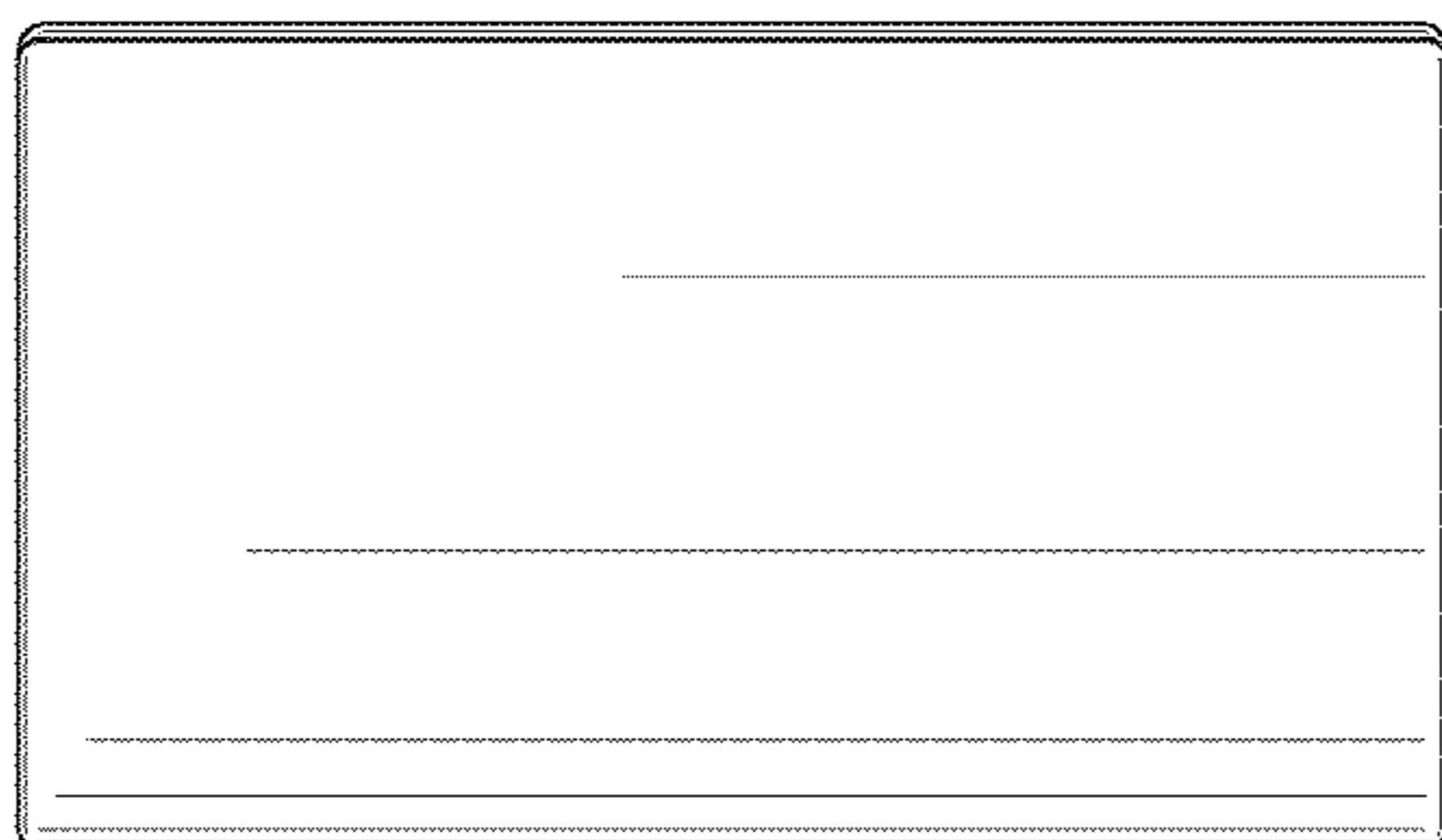


FIG. 6

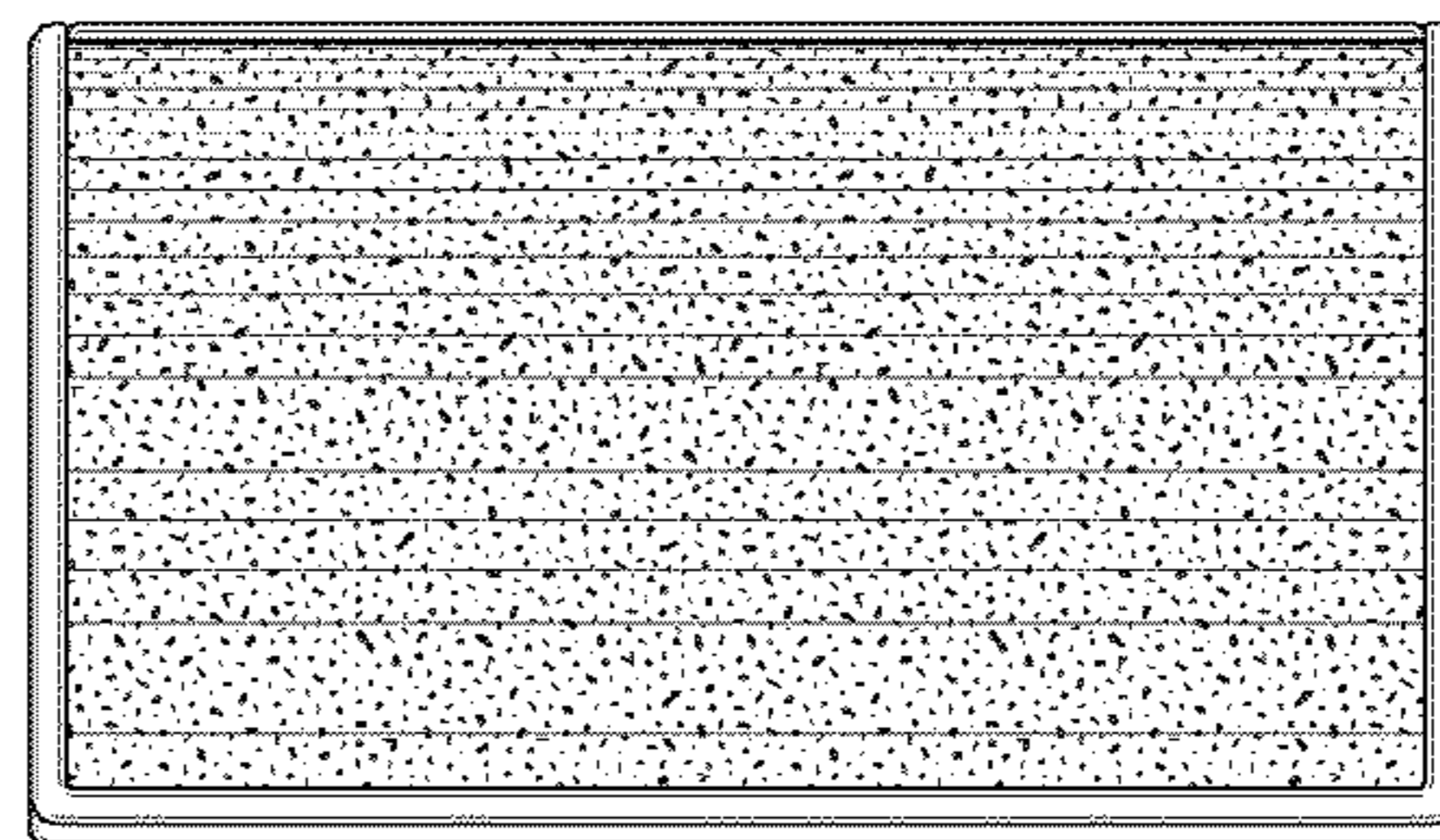


FIG. 7