



US00D688834S

(12) **United States Design Patent**
Gillespie et al.

(10) **Patent No.:** **US D688,834 S**

(45) **Date of Patent:** **** Aug. 27, 2013**

(54) **CATTLE HEAD ENGAGING GATE**

(76) Inventors: **Kelly Gillespie**, Edgerton, MN (US);
Stephen J. Frazer, Brandon, SD (US)

(**) Term: **14 Years**

(21) Appl. No.: **29/418,161**

(22) Filed: **Apr. 12, 2012**

(51) **LOC (9) Cl.** **30-02**

(52) **U.S. Cl.**
USPC **D30/114; D30/119**

(58) **Field of Classification Search**
USPC D30/114, 116, 119; 119/514, 519,
119/521-522, 729, 734, 737
See application file for complete search history.

(56) **References Cited**

U.S. PATENT DOCUMENTS

| | | | | | |
|-----------|-----|---------|-------------|-------|---------|
| 3,155,073 | A * | 11/1964 | Grenz | | 119/737 |
| 4,100,886 | A * | 7/1978 | Wade et al. | | 119/730 |
| 4,116,166 | A * | 9/1978 | Gofflot | | 119/730 |
| D256,284 | S * | 8/1980 | Dill | | D30/113 |
| 4,632,063 | A * | 12/1986 | Priefert | | 119/730 |
| 4,787,339 | A * | 11/1988 | Heizer, Jr. | | 119/730 |
| 5,331,923 | A * | 7/1994 | Mollhagen | | 119/734 |
| 5,375,560 | A * | 12/1994 | Paul et al. | | 119/734 |
| 5,463,984 | A * | 11/1995 | Hubbard | | 119/840 |

| | | | | | |
|-----------|------|---------|----------------|-------|---------|
| 5,626,100 | A * | 5/1997 | Stubbs et al. | | 119/734 |
| 6,158,393 | A * | 12/2000 | Trethewey | | 119/737 |
| 6,536,375 | B2 * | 3/2003 | Fergusson | | 119/734 |
| 6,609,480 | B2 * | 8/2003 | Daniels et al. | | 119/752 |

* cited by examiner

Primary Examiner — Cathy A MacCormac

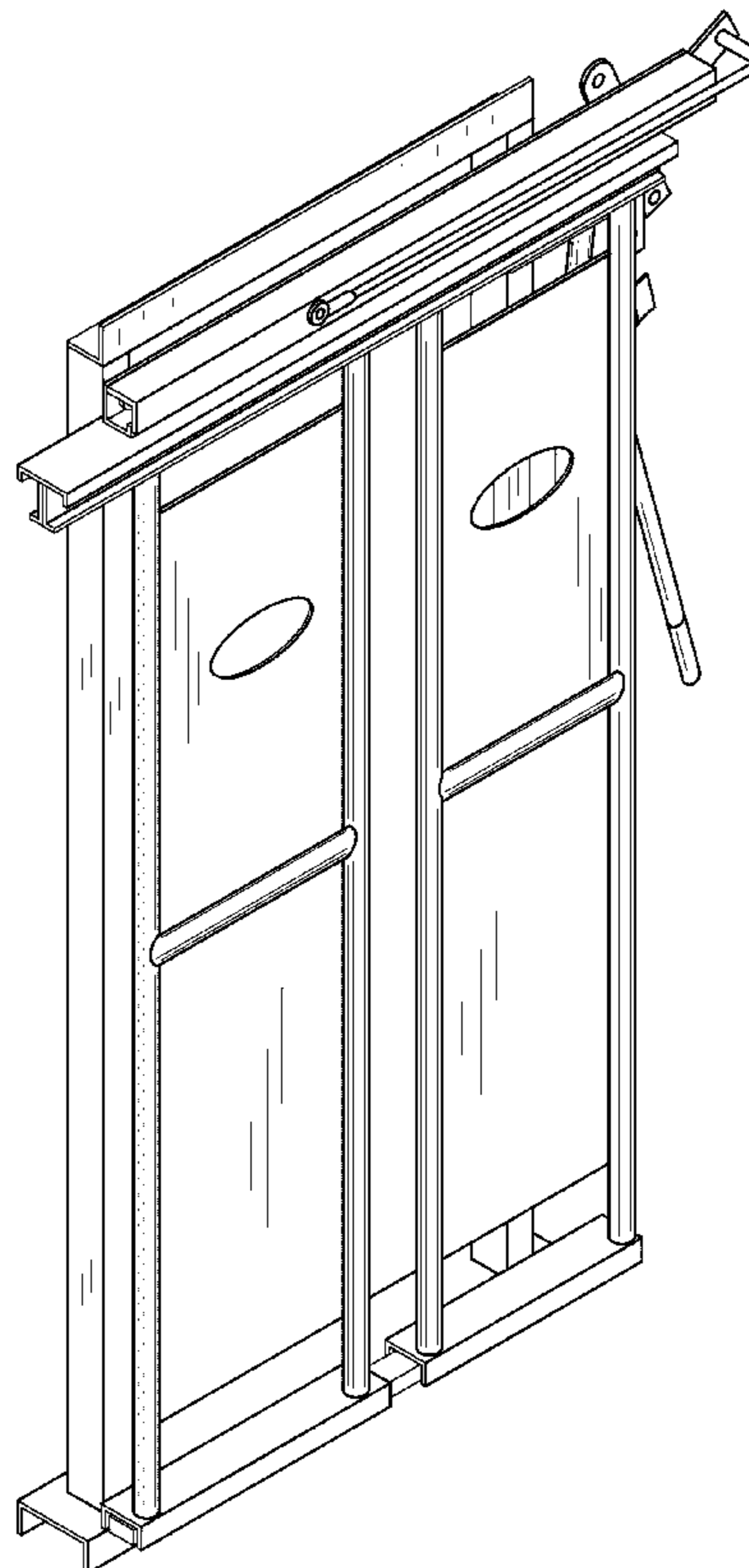
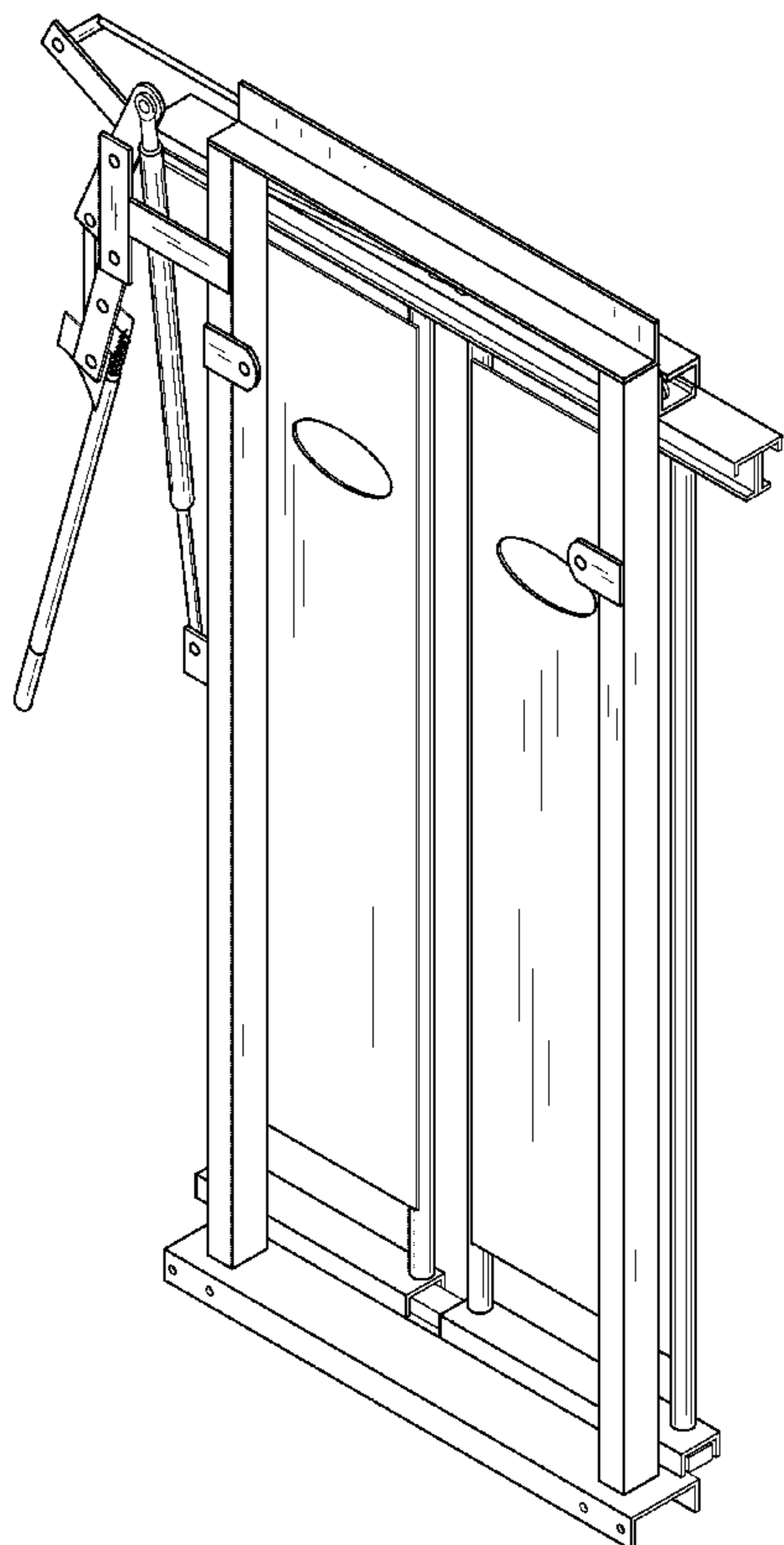
(57) **CLAIM**

The ornamental design for a cattle head engaging gate, as shown and described.

DESCRIPTION

FIG. 1 is a front elevational view of a cattle head engaging gate showing my new design;
 FIG. 2 is a rear elevational view of the cattle head engaging gate;
 FIG. 3 is a right side elevational view of the cattle head engaging gate;
 FIG. 4 is a left side elevational view of the cattle head engaging gate;
 FIG. 5 is a top plan view of the cattle head engaging gate;
 FIG. 6 is a bottom plan view of the cattle head engaging gate;
 FIG. 7 is a front top perspective view of the cattle head engaging gate; and,
 FIG. 8 is a rear top perspective view of the cattle head engaging gate.

1 Claim, 6 Drawing Sheets



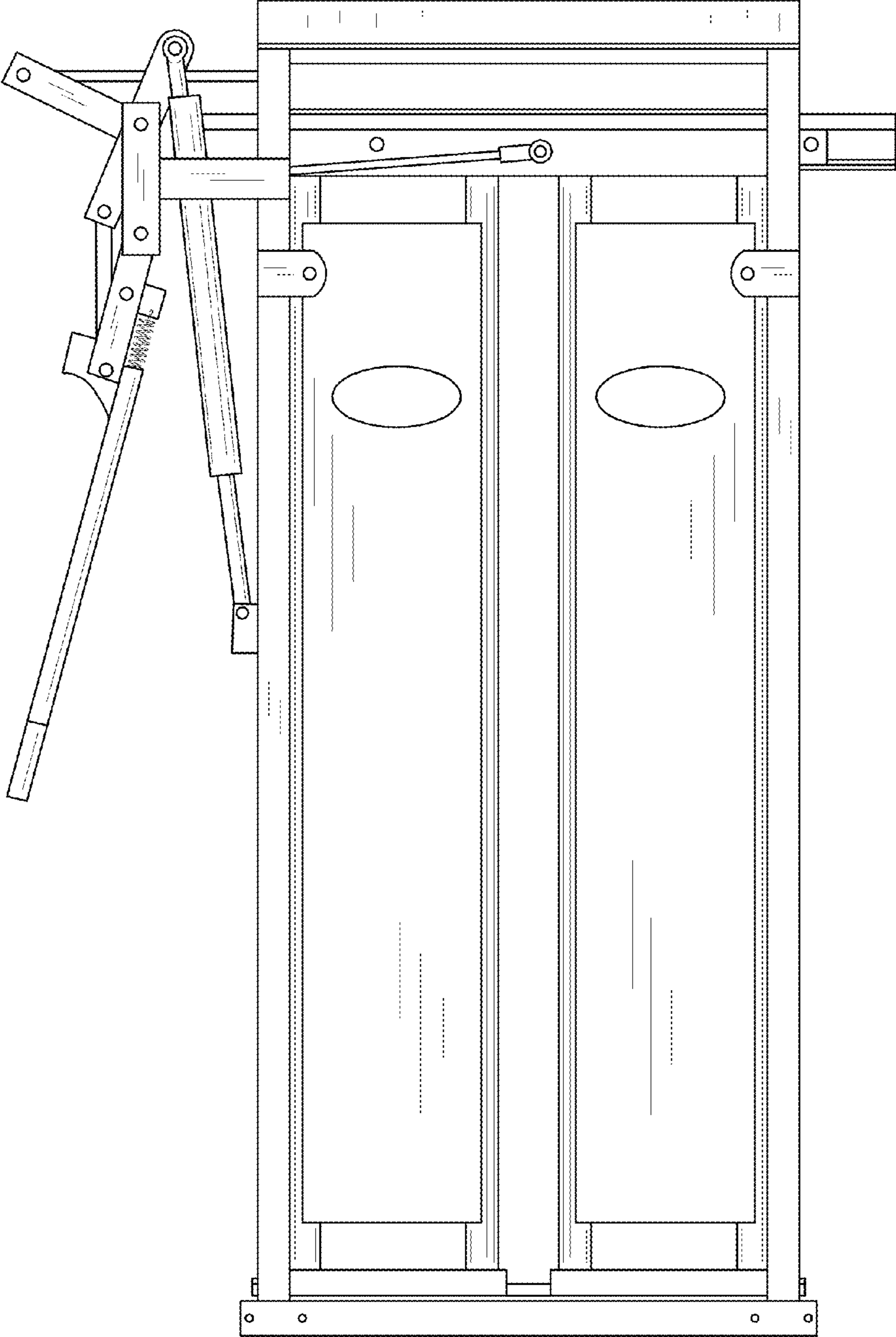


FIG. 1

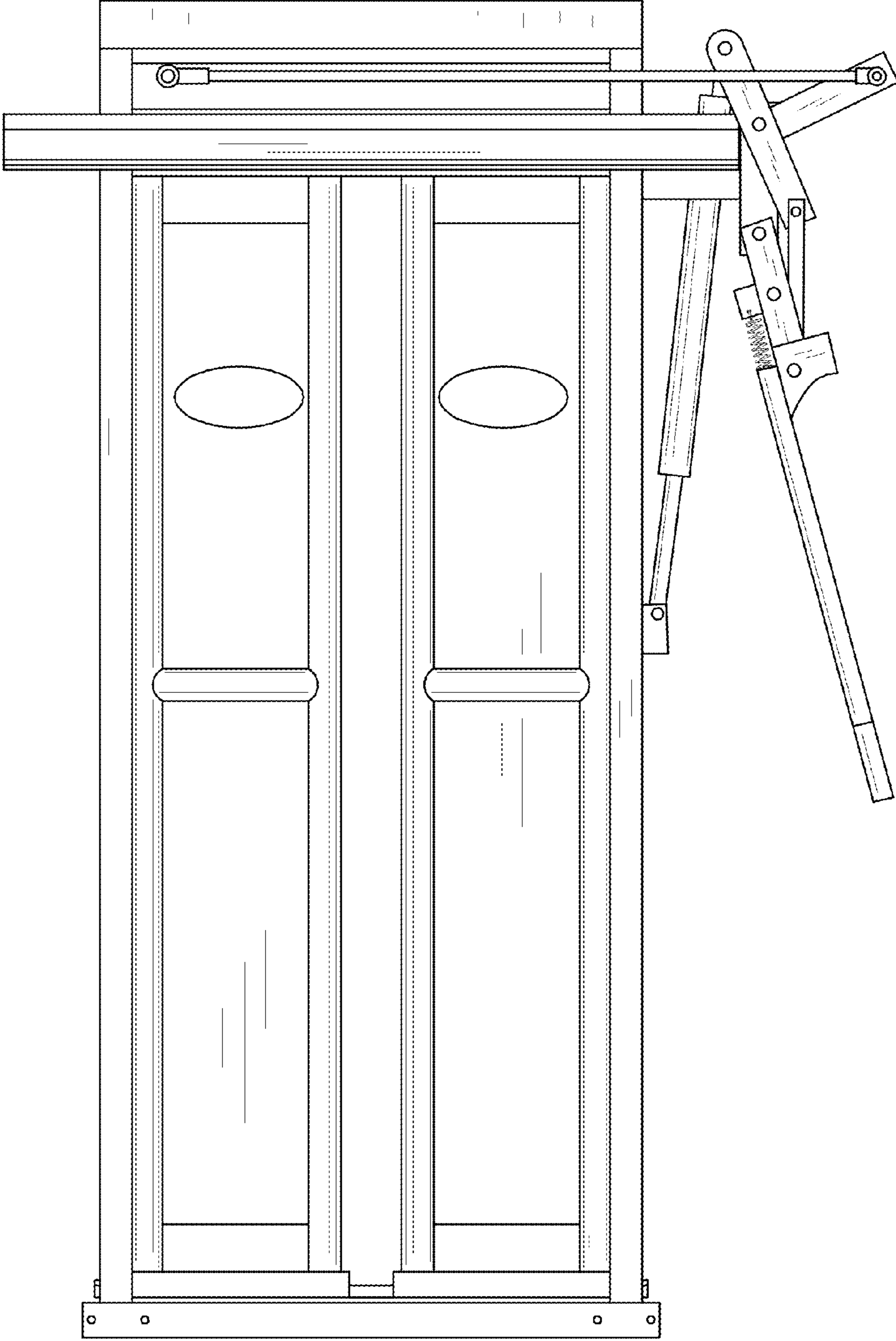


FIG. 2

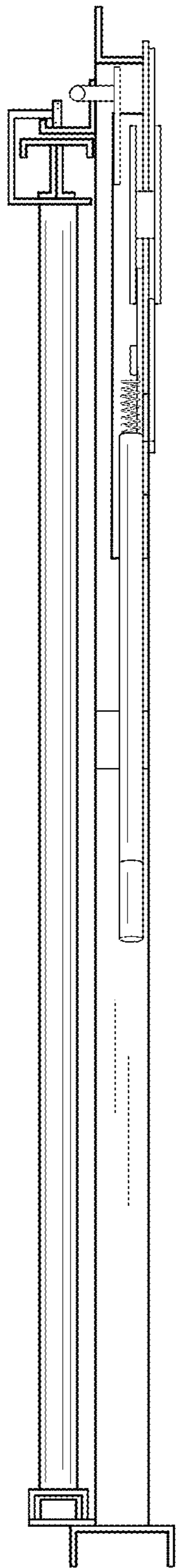


FIG. 3

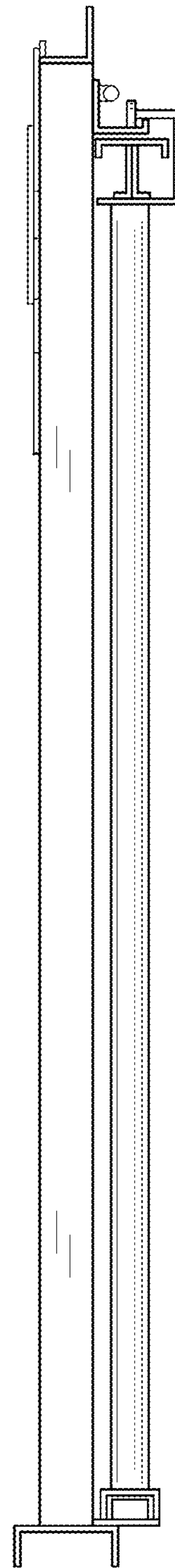


FIG. 4

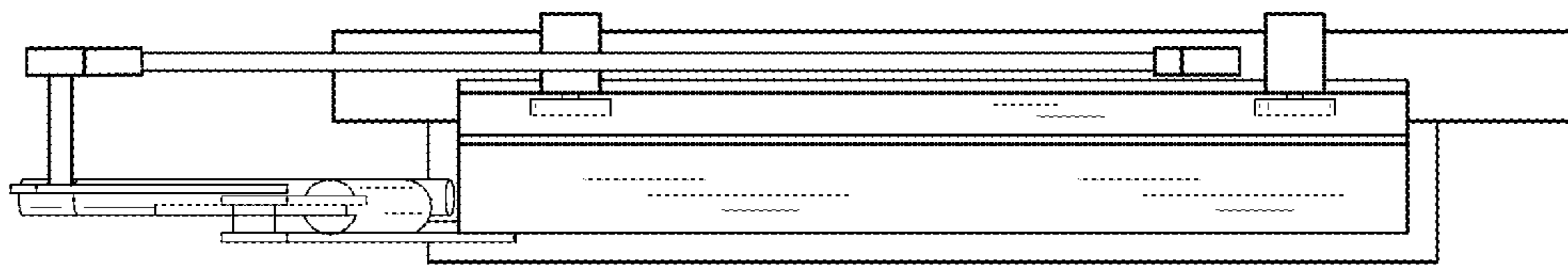


FIG. 5

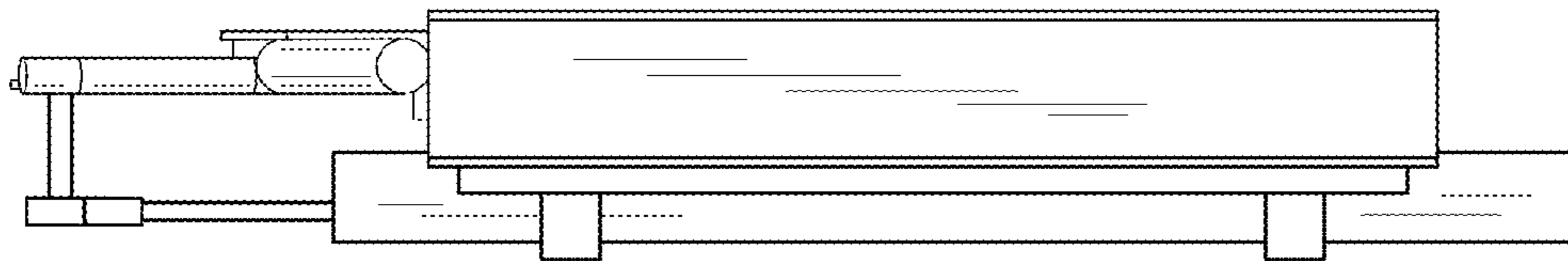


FIG. 6

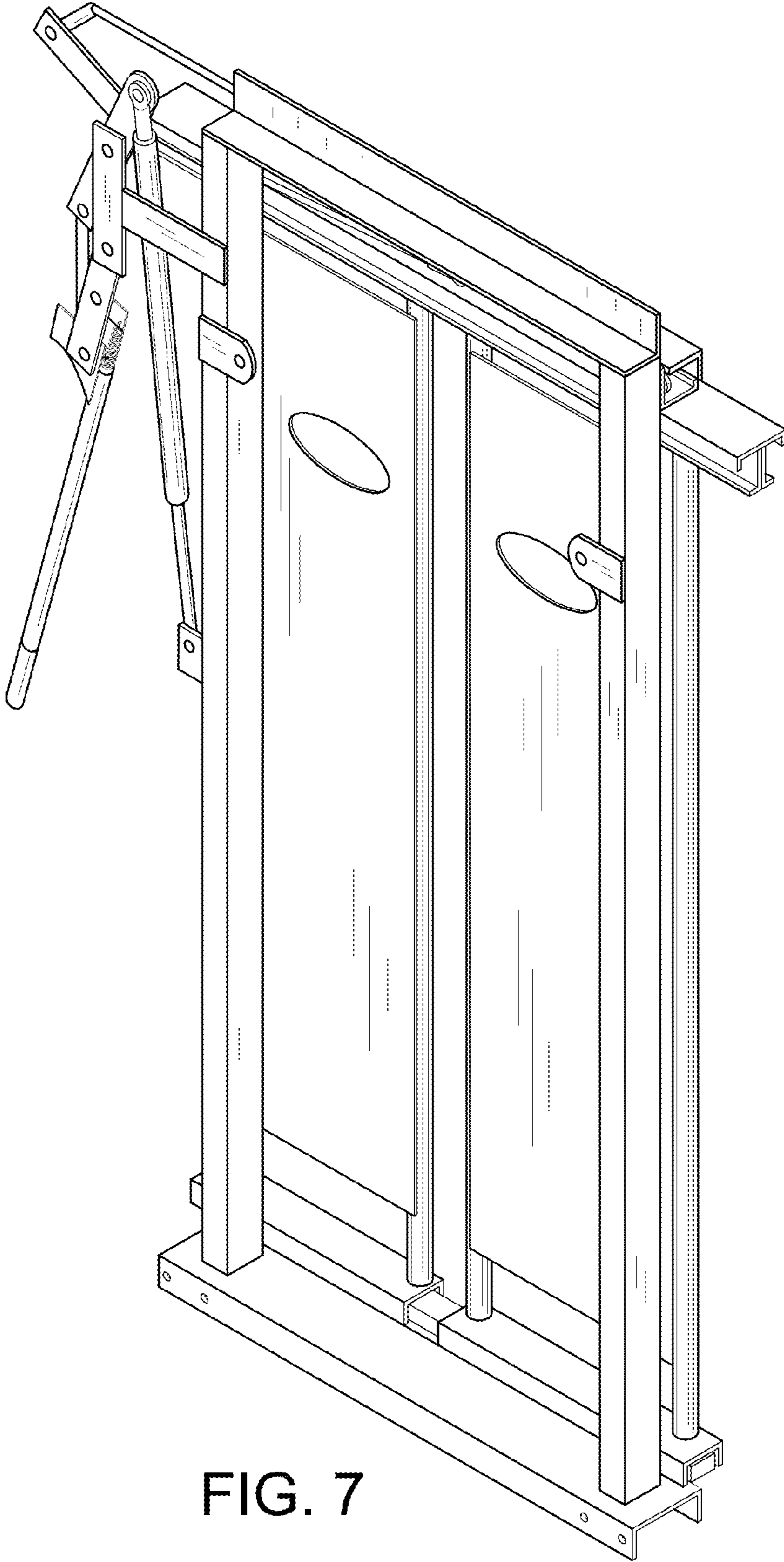


FIG. 7

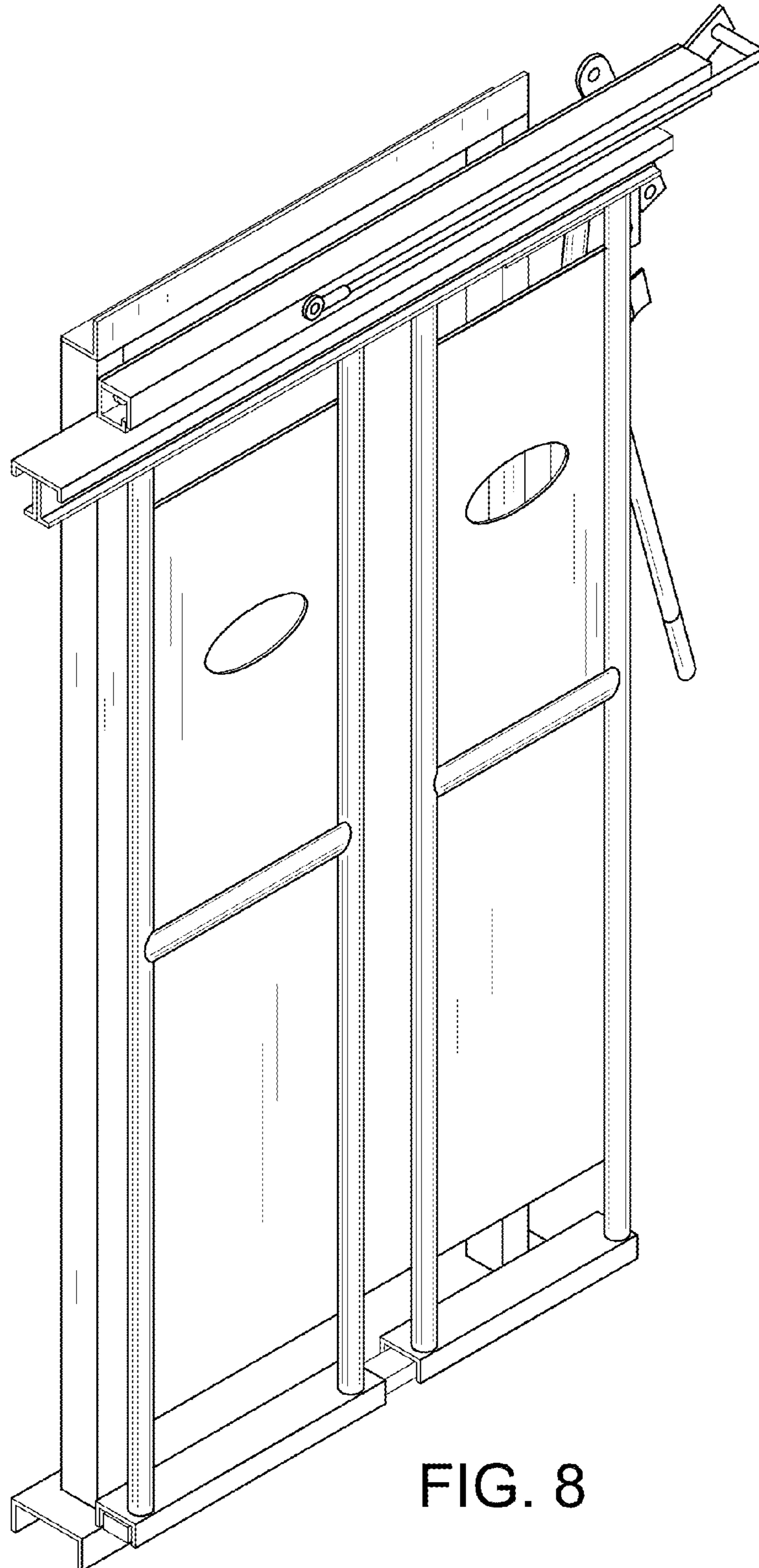


FIG. 8