



US00D688832S

(12) **United States Design Patent**
Polk, III

(10) **Patent No.:** **US D688,832 S**

(45) **Date of Patent:** **** Aug. 27, 2013**

(54) **MOUTHGUARD**

(75) Inventor: **Louis F. Polk, III**, Excelsior, MN (US)

(73) Assignee: **Shock Doctor, Inc.**, Plymouth, MN (US)

(**) Term: **14 Years**

(21) Appl. No.: **29/392,105**

(22) Filed: **May 17, 2011**

(51) **LOC (9) Cl.** **29-02**

(52) **U.S. Cl.**
USPC **D29/108**

(58) **Field of Classification Search**

USPC D24/110.5, 180, 181, 176; D29/108,
D29/122; 2/9, 424, 425, 455; 128/848, 859,
128/861, 862, 857; 433/2, 6, 18, 19, 24,
433/68, 70, 168.1, 172, 173, 213, 219
See application file for complete search history.

(56) **References Cited**

U.S. PATENT DOCUMENTS

257,038	A	4/1882	McMann	
1,117,928	A	11/1914	Thurmond	
1,146,264	A *	7/1915	Kelly	602/6
1,323,832	A	12/1919	Chige	
1,461,209	A	7/1923	Bridges	
1,470,888	A	10/1923	Smedley	
1,487,392	A	3/1924	Lee	
2,118,980	A	5/1938	Montgomery et al.	
2,257,709	A	9/1941	Anderson	
2,521,039	A *	9/1950	Carpenter	128/861
2,659,366	A	2/1952	Savarese	

(Continued)

FOREIGN PATENT DOCUMENTS

AU	1990/62951	4/1991
AU	1992/29170	3/1997

(Continued)

OTHER PUBLICATIONS

International Search Report issued in PCT/US94/05305, mailed Oct. 4, 1994, 2 pages.

(Continued)

Primary Examiner — Derrick Holland

Assistant Examiner — Lauren Calve

(74) *Attorney, Agent, or Firm* — Faegre Baker Daniels LLP

(57) **CLAIM**

The ornamental design for a mouthguard, as shown and described.

DESCRIPTION

FIG. 1 is a perspective view of a mouthguard in a linear configuration.

FIG. 2 is a first side view of a mouthguard in a linear configuration.

FIG. 3 is a second, opposing, side view of a mouthguard in a linear configuration.

FIG. 4 is a top view of a mouthguard in a linear configuration.

FIG. 5 is a bottom view of a mouthguard in a linear configuration.

FIG. 6 is an end view of a mouthguard in a linear configuration.

FIG. 7 is a perspective view of a mouthguard in a curved configuration.

FIG. 8 is a top view of a mouthguard in a curved configuration.

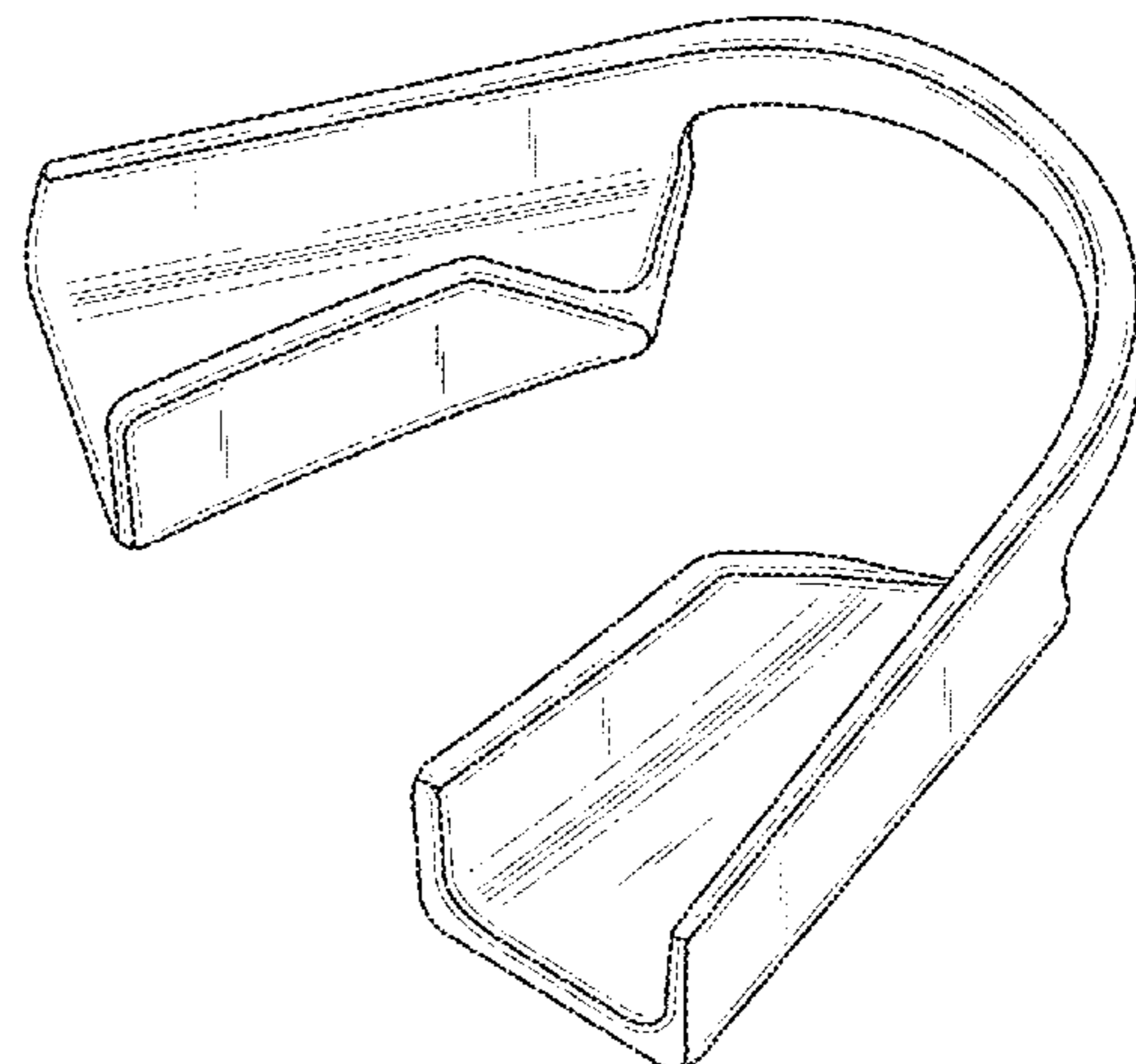
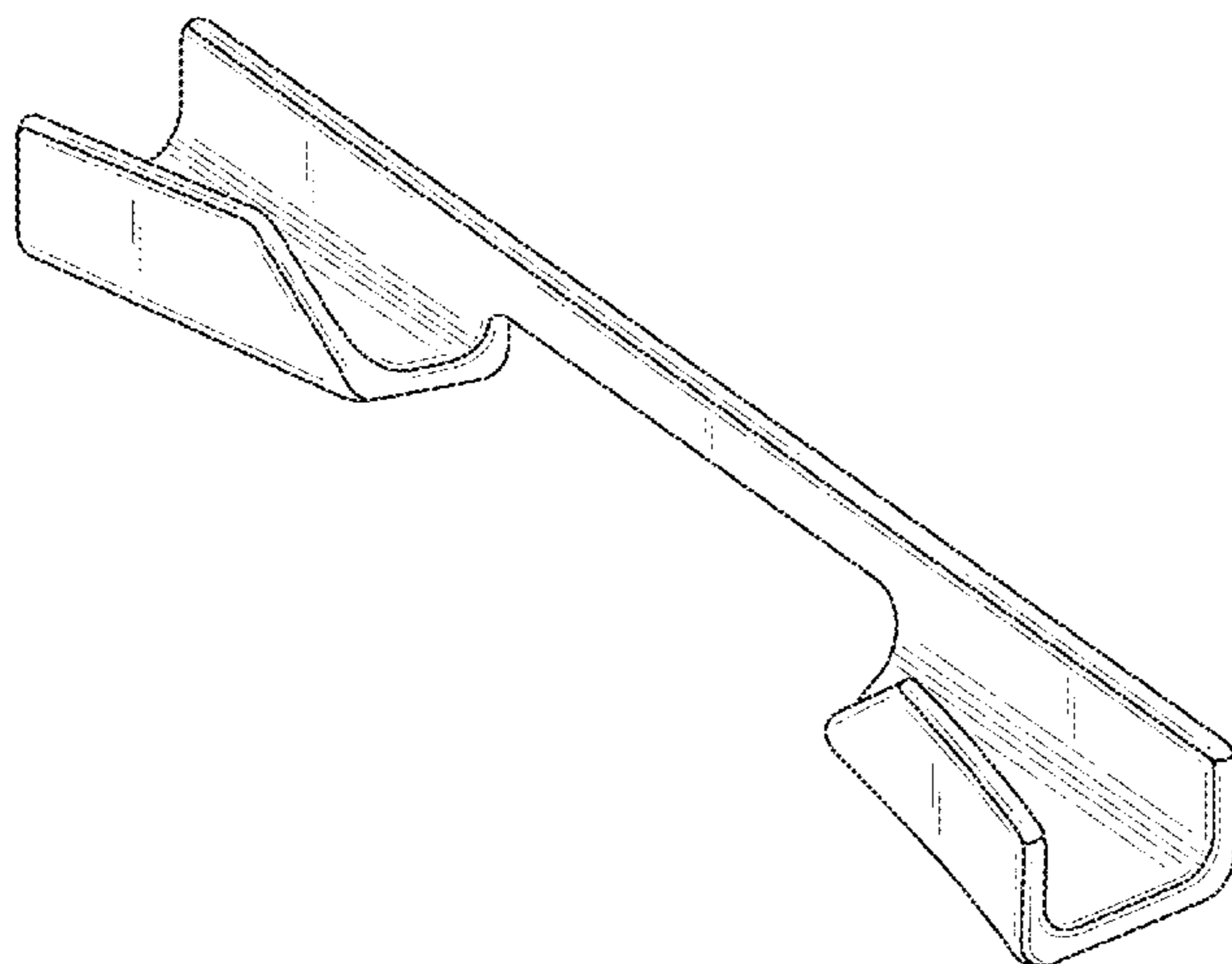
FIG. 9 is a bottom view of a mouthguard in a curved configuration.

FIG. 10 is a front view of a mouthguard in a curved configuration.

FIG. 11 is a back view of a mouthguard in a curved configuration; and,

FIG. 12 is a side view of a mouthguard in a curved configuration.

1 Claim, 6 Drawing Sheets



(56)

References Cited

U.S. PATENT DOCUMENTS

2,630,117 A	3/1953	Coleman	4,827,578 A	5/1989	Heckerman
2,643,652 A	6/1953	Cathcart	4,848,365 A	7/1989	Guarlotti et al.
2,669,988 A	2/1954	Carpenter	4,867,147 A	9/1989	Davis
2,678,043 A	5/1954	Stark	4,889,533 A	12/1989	Beecher
2,694,397 A	11/1954	Herms	4,924,557 A	5/1990	Heckerman et al.
2,702,032 A	2/1955	Freedland	4,944,947 A	7/1990	Newman
2,708,931 A	5/1955	Freedland	4,955,393 A	9/1990	Adell
2,750,941 A	6/1956	Cathcart	4,977,905 A	12/1990	Kittelsen et al.
2,827,899 A *	3/1958	Altieri 128/862	5,003,994 A	4/1991	Cook
2,847,003 A	8/1958	Helmer et al.	5,031,611 A	7/1991	Moles
2,933,811 A	4/1960	Lifton	5,031,638 A	7/1991	Castaldi
2,966,908 A	1/1961	Cathcart et al.	5,063,940 A	11/1991	Adell et al.
3,016,052 A	1/1962	Zubren	5,076,785 A	12/1991	Tsai
3,058,462 A	10/1962	Greenblum	5,082,007 A	1/1992	Adell
3,073,300 A	1/1963	Berghash	5,112,225 A	5/1992	Diesso
3,082,765 A	3/1963	Helmer	5,117,816 A	6/1992	Shapiro et al.
3,103,217 A	9/1963	Butler et al.	D328,494 S	8/1992	Schwendeman
3,107,667 A	10/1963	Moore	5,152,301 A	10/1992	Kittelsen et al.
3,124,129 A	3/1964	Grossberg	5,154,609 A	10/1992	George
3,126,002 A	3/1964	Owens	5,165,424 A	11/1992	Silverman
D198,359 S	6/1964	McLeod	5,194,004 A	3/1993	Bergersen
3,203,417 A	8/1965	Helmer	5,234,005 A	8/1993	Kittelsen et al.
3,207,153 A	9/1965	Goldstein	5,235,991 A	8/1993	Minneman
3,223,085 A	12/1965	Gores et al.	5,259,762 A	11/1993	Farrell et al.
3,247,844 A	4/1966	Berghash	5,277,203 A	1/1994	Hays
3,312,218 A	4/1967	Jacobs	D343,928 S	2/1994	Kittelsen et al.
3,319,626 A	5/1967	Lindsay	5,293,880 A	3/1994	Levitt
3,333,582 A	8/1967	Cathcart	5,299,936 A	4/1994	Ueno
3,407,809 A	10/1968	Ross	5,313,960 A	5/1994	Tomasi
3,411,501 A	11/1968	Greenberg	5,316,474 A	5/1994	Robertson
D212,848 S	12/1968	Westlund et al.	5,320,114 A	6/1994	Kittelsen et al.
3,416,527 A	12/1968	Hoef	5,323,787 A	6/1994	Pratt
3,448,738 A	6/1969	Berghash	5,336,086 A	8/1994	Simmen et al.
3,457,916 A	7/1969	Wolicki	5,339,832 A	8/1994	Kittelson et al.
D215,685 S	10/1969	Helmer	5,353,810 A	10/1994	Kittelsen et al.
3,485,242 A	12/1969	Greenberg	5,365,946 A	11/1994	McMillan
3,496,936 A	2/1970	Gores	5,385,155 A	1/1995	Kittelsen et al.
3,505,995 A	4/1970	Greenberg	D356,188 S	3/1995	Kittelsen
3,513,838 A	5/1970	Foderick et al.	5,415,544 A	5/1995	Oxman et al.
3,518,988 A	7/1970	Gores	5,447,168 A	9/1995	Bancroft
3,532,091 A	10/1970	Lerman	5,460,527 A	10/1995	Kittelsen
3,682,164 A	8/1972	Miller	5,566,683 A	10/1996	Thornton
3,692,025 A	9/1972	Greenberg	5,566,684 A	10/1996	Wagner
3,768,465 A	10/1973	Helmer	5,584,687 A	12/1996	Sullivan et al.
3,864,832 A	2/1975	Carlson	5,624,257 A	4/1997	Farrell
3,916,527 A	11/1975	Linkow	5,636,379 A	6/1997	Williams
RE28,667 E	12/1975	Gores	5,642,737 A	7/1997	Parks
3,924,638 A	12/1975	Mann	D382,965 S	8/1997	Wagner
3,943,924 A	3/1976	Kallestad et al.	5,718,575 A	2/1998	Cross, III
D243,127 S	1/1977	Farquharson	5,746,221 A	5/1998	Jones et al.
4,030,493 A	6/1977	Walters et al.	D397,442 S	8/1998	Kittelsen
4,044,762 A	8/1977	Jacobs	5,826,581 A	10/1998	Yoshida
4,063,552 A	12/1977	Going et al.	5,836,761 A	11/1998	Belvedere et al.
4,114,614 A	9/1978	Kesling	5,865,619 A	2/1999	Cross, III et al.
4,185,817 A	1/1980	Peterson	5,879,155 A	3/1999	Kittelsen
4,211,008 A	7/1980	Lerman	5,970,981 A *	10/1999	Ochel 128/859
4,330,272 A	5/1982	Bergersen	6,012,919 A	1/2000	Cross, III et al.
4,337,765 A	7/1982	Zimmerman	6,082,363 A	7/2000	Washburn
4,346,205 A	8/1982	Hiles	6,142,780 A	11/2000	Burgio
4,348,178 A	9/1982	Kurz	6,200,133 B1	3/2001	Kittelsen et al.
4,376,628 A	3/1983	Aardse	6,237,601 B1	5/2001	Kittelson et al.
4,457,708 A	7/1984	Dufour	D452,011 S	12/2001	Redhage
4,519,386 A	5/1985	Sullivan	6,371,758 B1	4/2002	Kittelsen et al.
4,568,280 A	2/1986	Ahlin	6,405,729 B1	6/2002	Thornton
4,591,341 A	5/1986	Andrews	6,415,794 B1	7/2002	Kittelsen et al.
4,671,766 A	6/1987	Norton	6,505,626 B2	1/2003	Kittelsen et al.
4,672,959 A	6/1987	May et al.	6,505,627 B2	1/2003	Kittelsen et al.
4,673,791 A	6/1987	Konno et al.	6,505,628 B2	1/2003	Kittelsen et al.
4,727,867 A	3/1988	Knoderer	6,508,251 B2	1/2003	Kittelsen et al.
4,763,791 A	8/1988	Halverson et al.	6,510,853 B1	1/2003	Kittelsen et al.
4,765,324 A	8/1988	Lake, Jr.	6,539,943 B1	4/2003	Kittelsen et al.
4,791,941 A	12/1988	Schaefer	6,553,996 B2	4/2003	Kittelsen et al.
4,793,803 A	12/1988	Martz	6,598,605 B1	7/2003	Kittelsen et al.
4,799,500 A	1/1989	Newbury	6,638,496 B2	10/2003	McLaughlin
4,810,192 A	3/1989	Williams	6,675,806 B2	1/2004	Kittelsen et al.
			D492,785 S	7/2004	Garabito
			D504,744 S	5/2005	Hidalgo et al.
			6,978,786 B2 *	12/2005	Sabbagh 128/859
			D527,848 S	9/2006	Manzo et al.

US D688,832 S

Page 3

D530,425 S	10/2006	Carlson		2011/0114100 A1*	5/2011	Alvarez et al.	128/861
D530,863 S *	10/2006	Manzo et al.	D29/108	2011/0186055 A1*	8/2011	Makkar et al.	128/862
D532,559 S	11/2006	Manzo et al.		2012/0085354 A1	4/2012	Polk, III	
D541,481 S *	4/2007	Farrell	D29/108	2012/0111343 A1	5/2012	Turkbas et al.	
D548,402 S	8/2007	Trodick					
7,299,804 B2	11/2007	Kittelsen et al.					
D570,724 S	6/2008	Kittelsen					
D586,252 S	2/2009	Kittelsen					
D593,714 S	6/2009	Hirshberg					
D594,125 S	6/2009	Lesniak					
D597,675 S	8/2009	Eli					
7,658,193 B2 *	2/2010	Lesniak	128/862				
D614,304 S *	4/2010	Jansheski	D24/180				
D641,478 S *	7/2011	Belvedere et al.	D24/180				
8,033,392 B1	10/2011	Gehner et al.					
8,116,854 B2 *	2/2012	Hart et al.	600/476				
D663,485 S	7/2012	Turkbas et al.					
D663,486 S	7/2012	Turkbas et al.					
2003/0019497 A1	1/2003	Farrell					
2004/0110111 A1	6/2004	Wasylyucha					
2004/0154626 A1	8/2004	Washburn et al.					
2004/0250817 A1	12/2004	Kittelsen et al.					

FOREIGN PATENT DOCUMENTS

CA	886254	11/1971
CA	1147583	6/1983
DE	0480423	8/1929
EP	0426172	7/1994
EP	0651670	5/1995
WO	WO 91/03215	3/1991
WO	WO 93/08761	5/1993
WO	WO 00/35369	6/2000
WO	WO 2009/026538	2/2009

OTHER PUBLICATIONS

International Search Report issued in PCT/US94/05306, mailed Oct. 4, 1994, 3 pages.

* cited by examiner

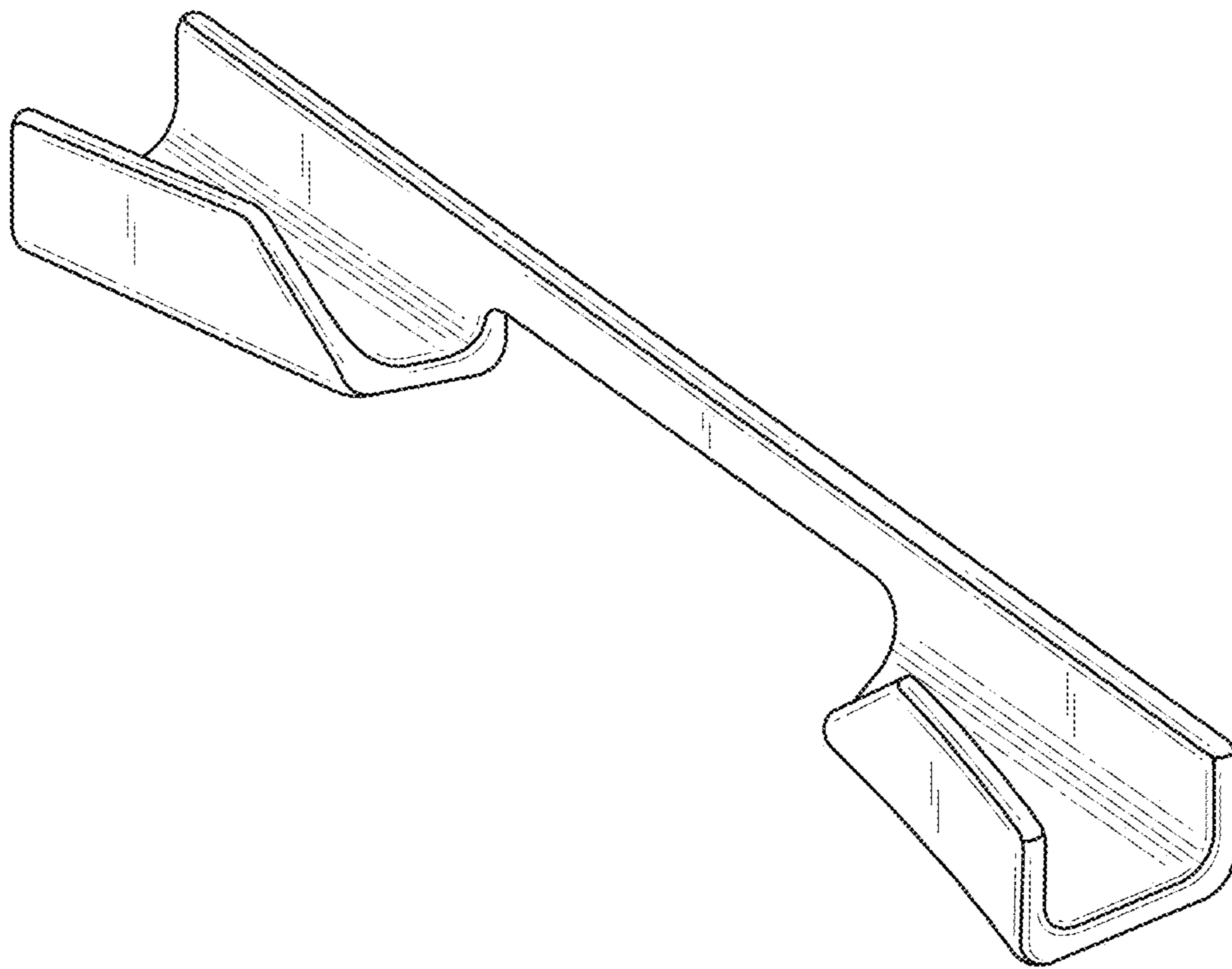


FIG. 1

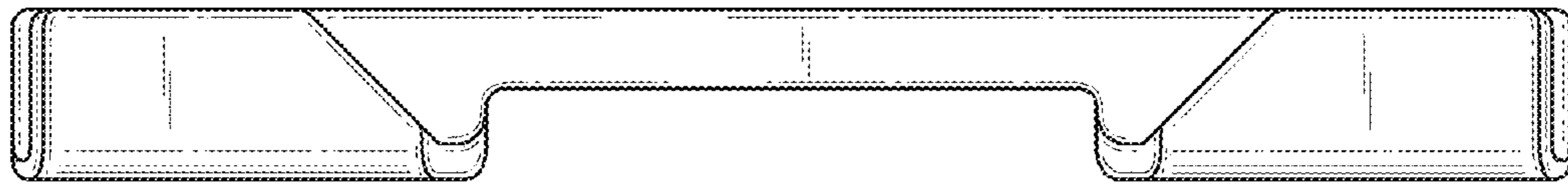


FIG. 2

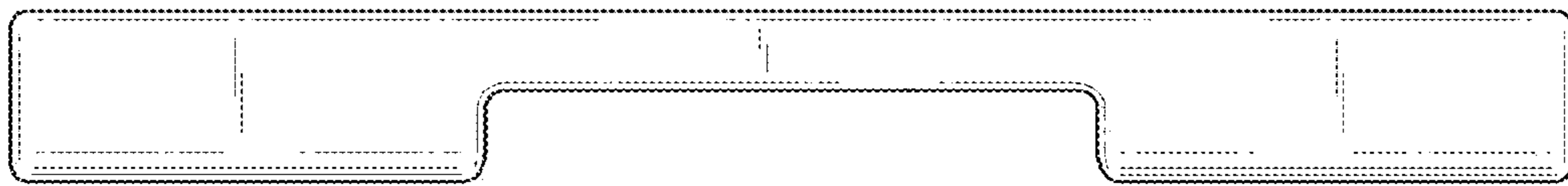


FIG. 3

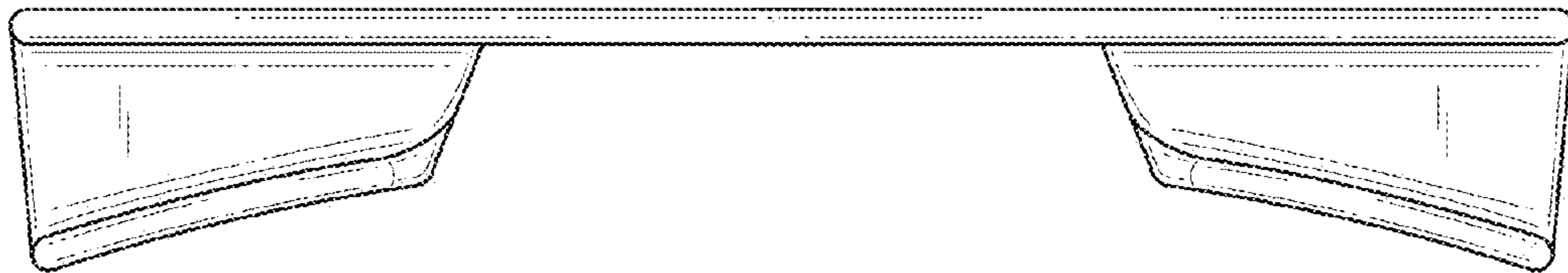


FIG. 4



FIG. 5



FIG. 6

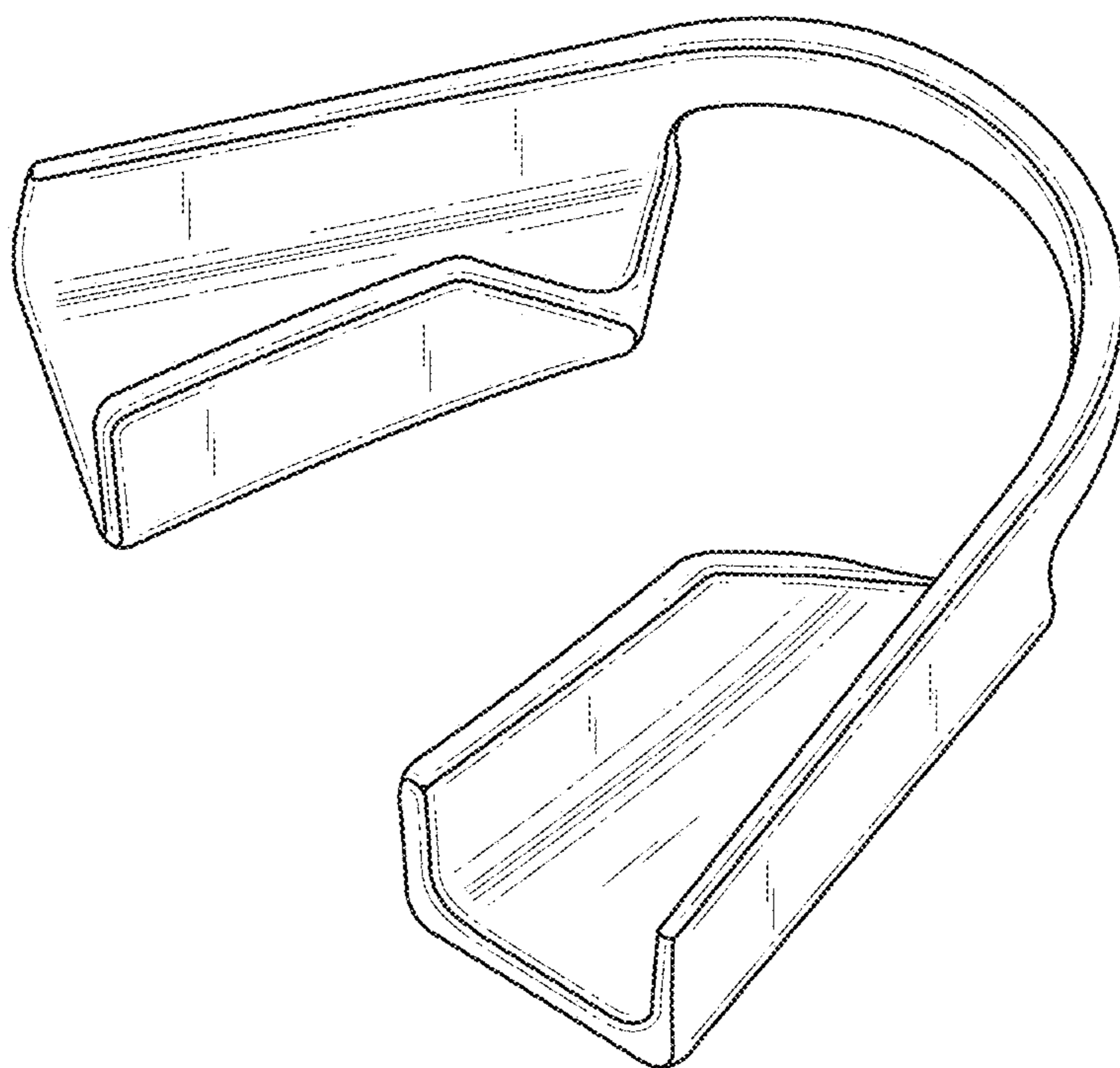


FIG. 7

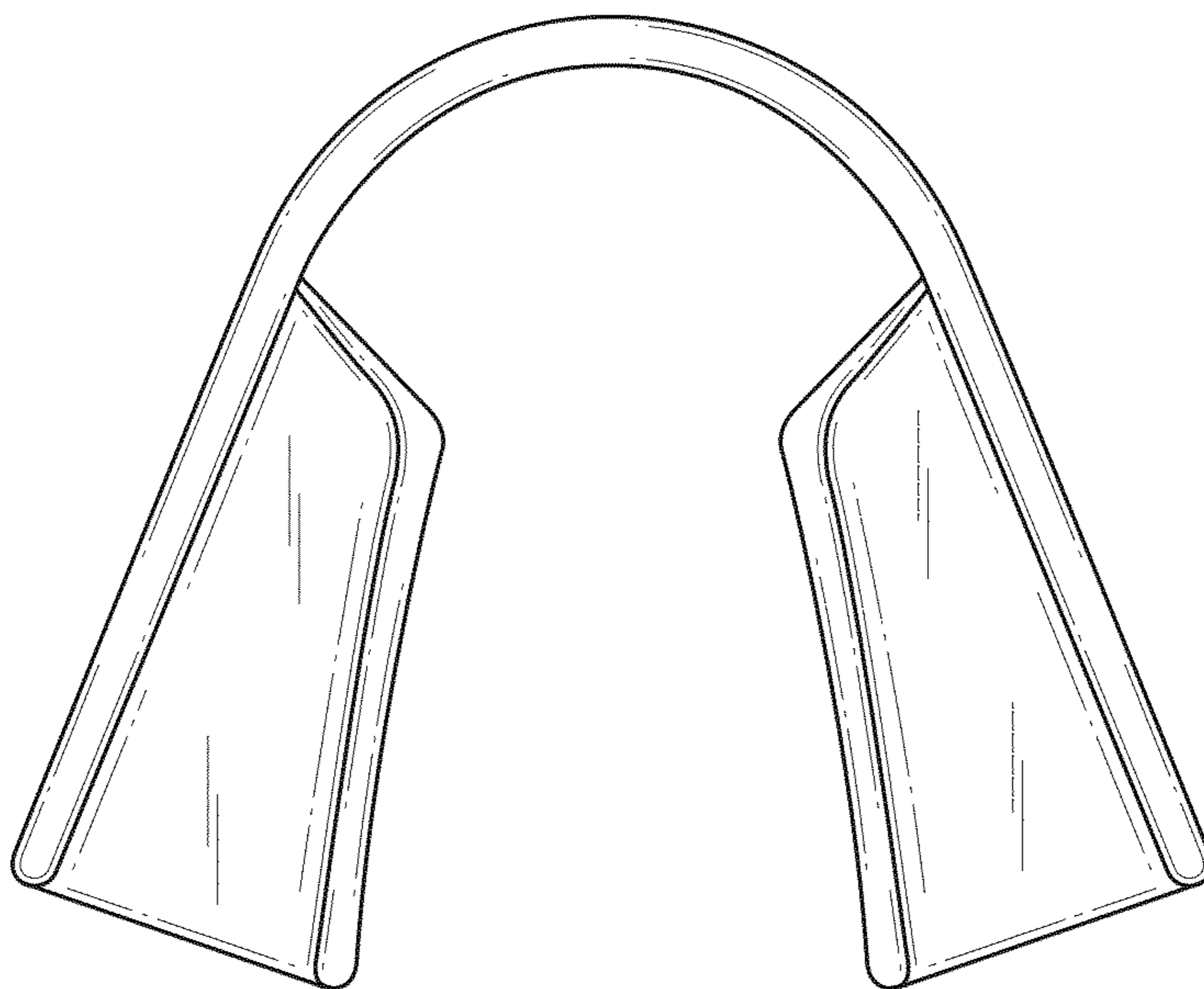


FIG. 8

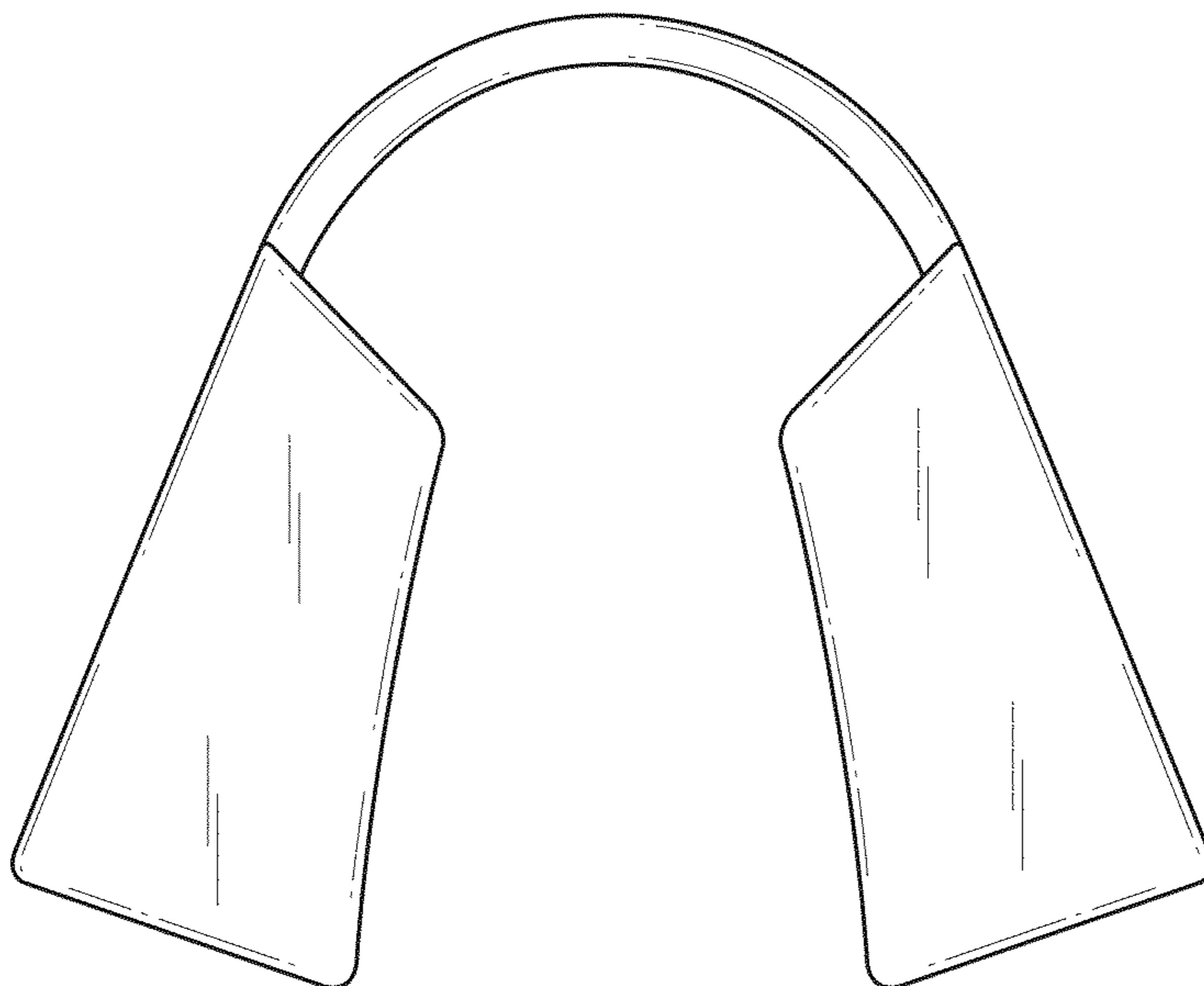


FIG. 9

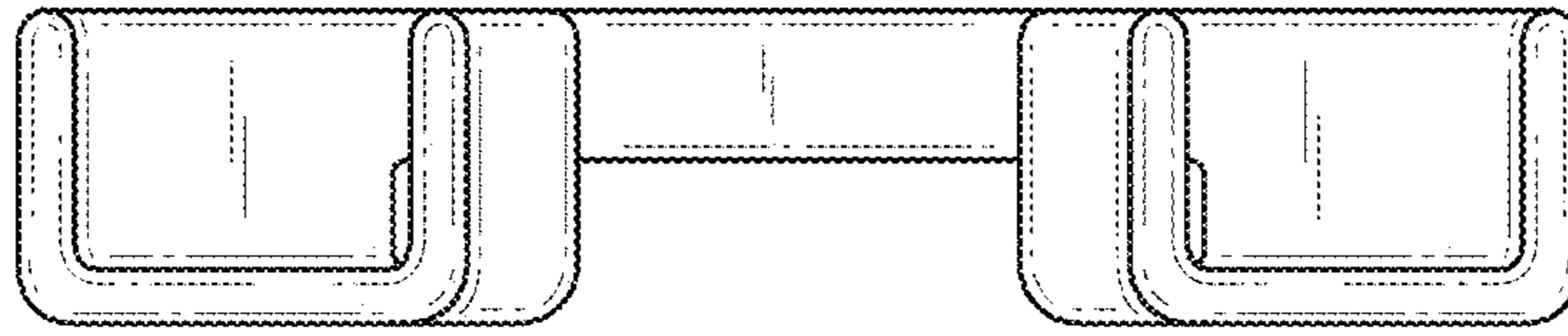


FIG. 10

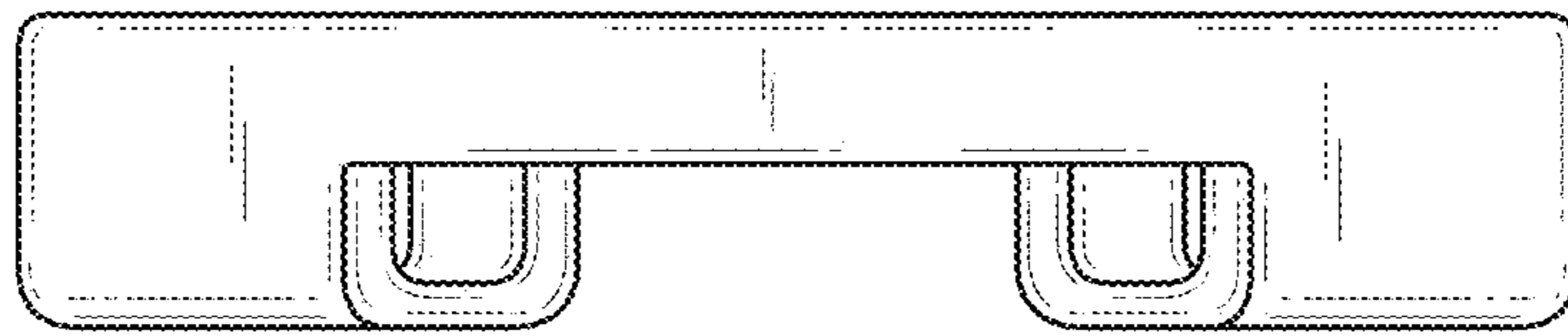


FIG. 11

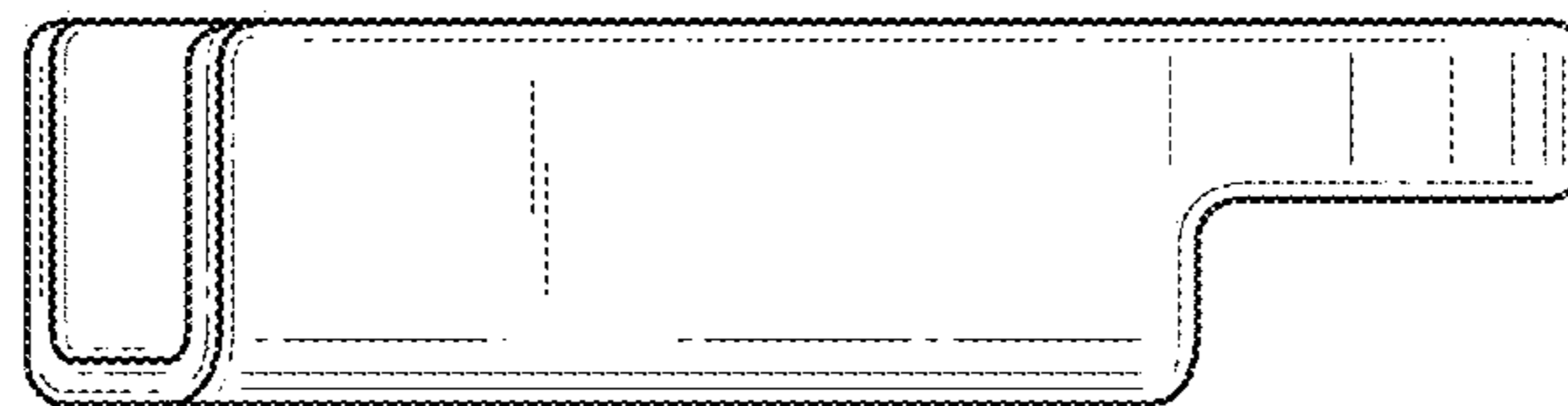


FIG. 12