



US00D68827S

(12) **United States Design Patent**
Popper et al.

(10) **Patent No.:** **US D688,827 S**

(45) **Date of Patent:** **** Aug. 27, 2013**

(54) **TAIL CAP PROTECTOR**

(71) Applicant: **XGlow P/T, LLC**, Scottsdale, AZ (US)

(72) Inventors: **Ricard S. Popper**, Scottsdale, AZ (US);
Jensen Jorgensen, Scottsdale, AZ (US)

(73) Assignee: **XGlow P/T, LLC**, Scottsdale, AZ (US)

(**) Term: **14 Years**

(21) Appl. No.: **29/445,230**

(22) Filed: **Feb. 8, 2013**

(51) **LOC (9) Cl.** **26-99**

(52) **U.S. Cl.**
USPC **D26/118**

(58) **Field of Classification Search**
USPC D26/154, 155, 152, 142, 151, 153,
D26/113, 119, 122, 123, 124, 138, 139, 145,
D26/148, 146, 147, 121, 125, 126, 74, 75,
D26/144, 150, 141, 118, 120, 128, 129, 132,
D26/135, 71, 72, 85, 62, 65, 64, 24, 1, 2,
D26/66, 67, 68, 73, 89, 86, 87, 88, 25, 26,
D26/61, 63, 69, 76, 77, 78, 79, 90, 91, 84,
D26/92, 49, 37, 38, 39; D13/179, 180, 171,
D13/173; D11/90, 121, 89; 63/32; 362/253,
362/257, 333, 326, 169, 187, 307, 327, 308,
362/309, 362, 337, 208, 158; 16/442; 359/708,
359/641, 726; D6/581; D9/452, 435, 453,
D9/443

See application file for complete search history.

(56) **References Cited**

U.S. PATENT DOCUMENTS

1,518,575 A * 12/1924 Eaton 362/187
2,882,388 A * 4/1959 Garland 362/208

(Continued)

Primary Examiner — Kevin Rudzinski

(74) *Attorney, Agent, or Firm* — Stephen C. Beuerle;
Procopio Cory Hargreaves & Savitch LLP

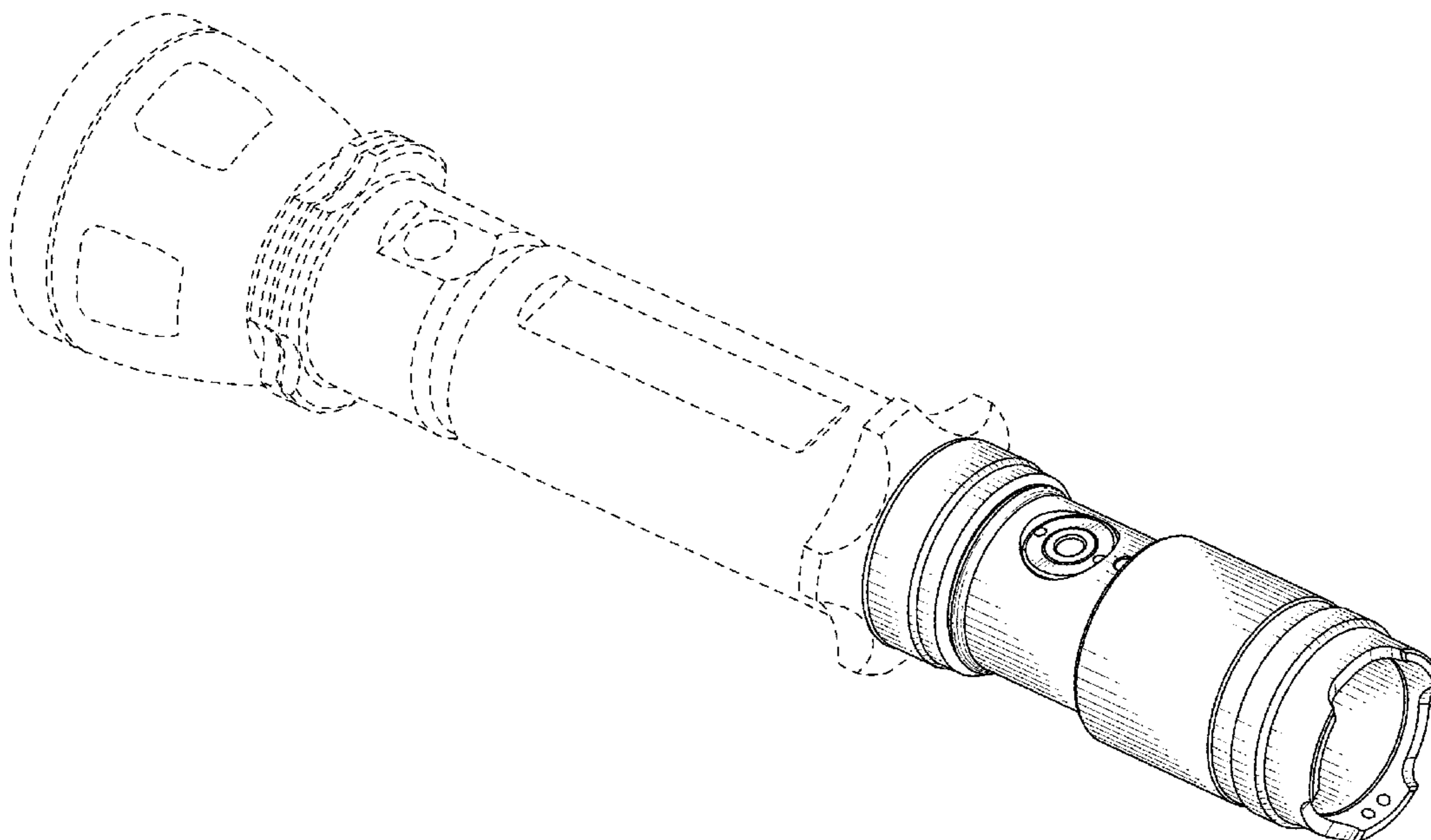
(57) **CLAIM**

The ornamental design for a tail cap protector, as shown and described.

DESCRIPTION

FIG. 1 is a perspective view of the tail cap protector shown in an open condition and with a flashlight;
FIG. 2 is a front elevational view of the tail cap protector;
FIG. 3 is a rear elevational view of the tail cap protector;
FIG. 4 is left side elevational view of the tail cap protector;
FIG. 5 is a right side elevational view of the tail cap protector;
FIG. 6 is a top plan view of the tail cap protector;
FIG. 7 is bottom plan view of the tail cap protector;
FIG. 8 is a perspective view of the tail cap protector shown in a closed condition and with a flashlight;
FIG. 9 is a front elevational view of the tail cap protector;
FIG. 10 is a rear elevational view of the tail cap protector;
FIG. 11 is left side elevational view of the tail cap protector;
FIG. 12 is a right side elevational view of the tail cap protector;
FIG. 13 is a top plan view of the tail cap protector; and,
FIG. 14 is bottom plan view of the tail cap protector.
The broken lines shown in FIGS. 1-14 are included for the purpose of illustrating environmental elements only and form no part of the claimed design.

1 Claim, 8 Drawing Sheets



(56)

References Cited

U.S. PATENT DOCUMENTS

4,750,287 A * 6/1988 Myers 43/17.5
 D313,084 S * 12/1990 Bramble D26/113
 D325,263 S * 4/1992 Browne D26/113
 5,570,948 A * 11/1996 Menke et al. 362/191
 5,941,629 A * 8/1999 Tuscher 362/253
 D413,688 S * 9/1999 Poon D26/28
 D415,962 S * 11/1999 Garcia D9/453
 D418,548 S * 1/2000 Papke D21/483
 D421,657 S * 3/2000 Siebert D26/37
 D435,676 S * 12/2000 Squillante et al. D26/37
 D440,332 S * 4/2001 Evans D26/37
 6,536,917 B1 * 3/2003 Apercho et al. 362/253
 D476,101 S * 6/2003 Bruwer D26/37
 D482,967 S * 12/2003 Bourque et al. D9/435
 D490,551 S * 5/2004 Kim D26/38
 6,736,523 B2 * 5/2004 Alvey 362/158
 6,764,347 B1 * 7/2004 Plishner 439/668
 7,069,926 B2 * 7/2006 Skellern et al. 128/200.14
 7,070,297 B1 * 7/2006 Muhl nickel, Jr. 362/207
 D544,621 S * 6/2007 Kim D26/37
 D548,380 S * 8/2007 Wai D26/37
 D554,281 S * 10/2007 Bushee et al. D26/37
 7,278,764 B2 * 10/2007 Kim 362/382
 7,434,956 B2 * 10/2008 Mattheis 362/205
 D592,338 S * 5/2009 Bushee D26/37

D600,772 S * 9/2009 Swan D22/108
 7,604,371 B2 * 10/2009 Bushee et al. 362/206
 D606,222 S * 12/2009 Gebhard D26/49
 D606,401 S * 12/2009 Kamath et al. D9/453
 7,686,472 B1 * 3/2010 Huang 362/202
 D617,022 S * 6/2010 Kung D26/37
 D621,538 S * 8/2010 Bushee D26/49
 7,771,077 B2 * 8/2010 Miller 362/206
 D624,232 S * 9/2010 Summers D26/113
 D628,323 S * 11/2010 Matthews et al. D26/24
 7,837,346 B2 * 11/2010 Griffin 362/191
 7,905,624 B2 * 3/2011 Bushee et al. 362/206
 D649,670 S * 11/2011 Robinson D26/49
 8,147,089 B2 * 4/2012 Matthews et al. 362/199
 D659,272 S * 5/2012 Nguyen et al. D26/49
 D671,249 S * 11/2012 Sheikh et al. D26/38
 D674,943 S * 1/2013 Sheikh et al. D26/38
 D680,251 S * 4/2013 Stewart D26/49
 8,424,441 B2 * 4/2013 Brittingham et al. 89/14.4
 2003/0021109 A1 * 1/2003 Matthews et al. 362/202
 2005/0174772 A1 * 8/2005 Gun 362/247
 2006/0010750 A1 * 1/2006 Yoshitaka 42/79
 2007/0081327 A1 * 4/2007 Chang 362/157
 2009/0295310 A1 * 12/2009 Duerr et al. 315/297
 2010/0277894 A1 * 11/2010 Kim 362/105
 2011/0149562 A1 * 6/2011 Spartano et al. 362/197

* cited by examiner

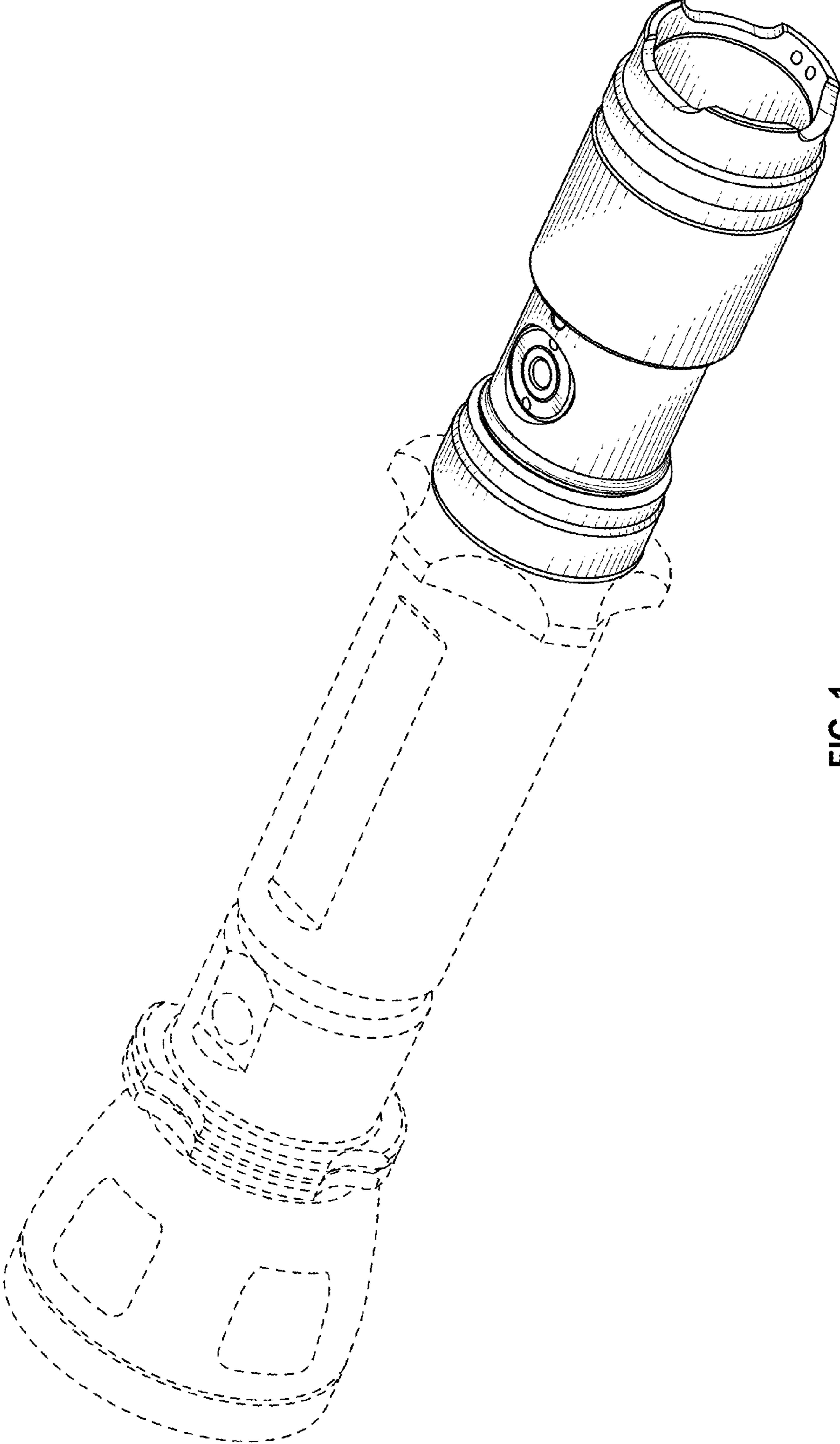


FIG. 1

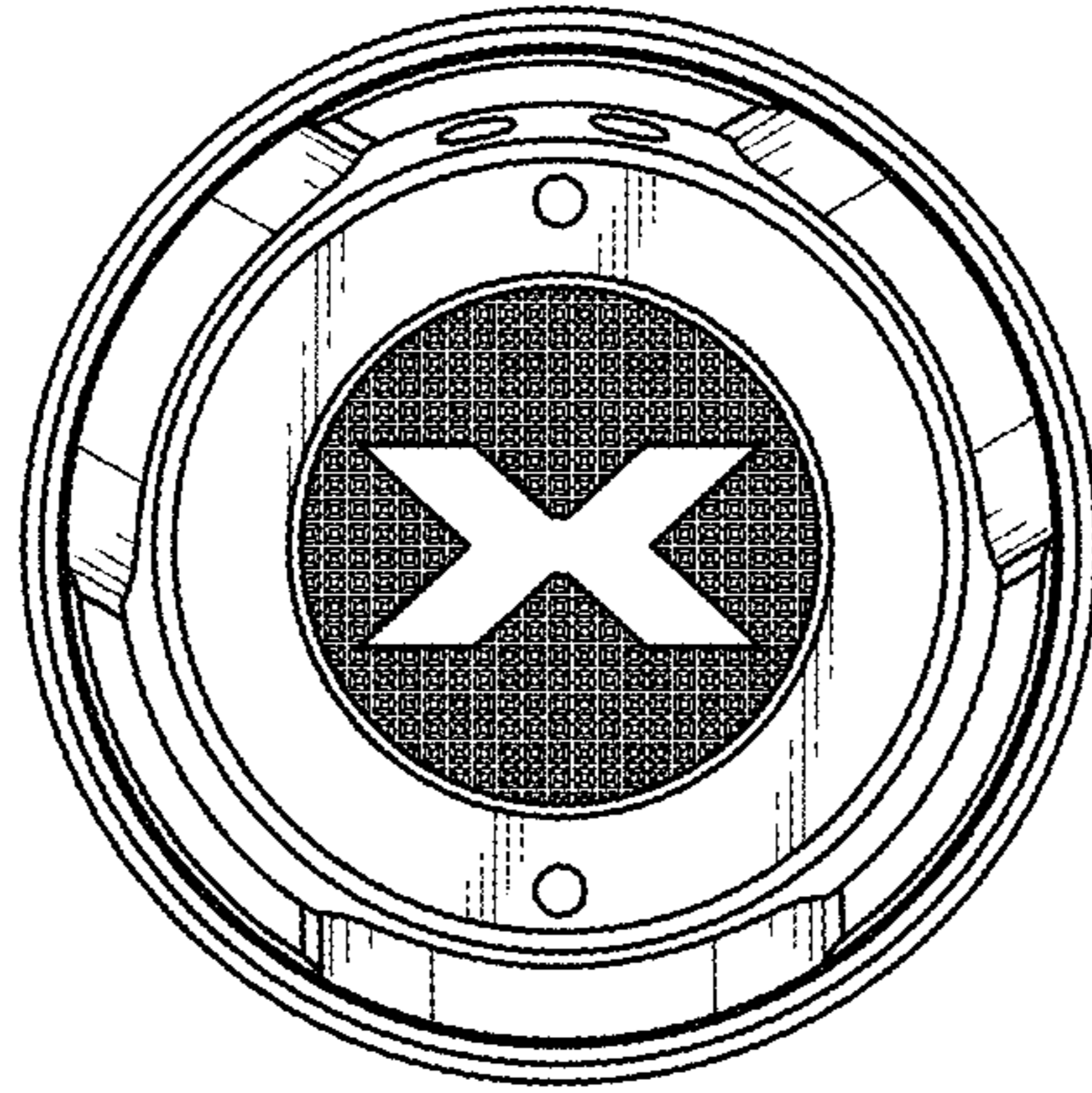


FIG. 2

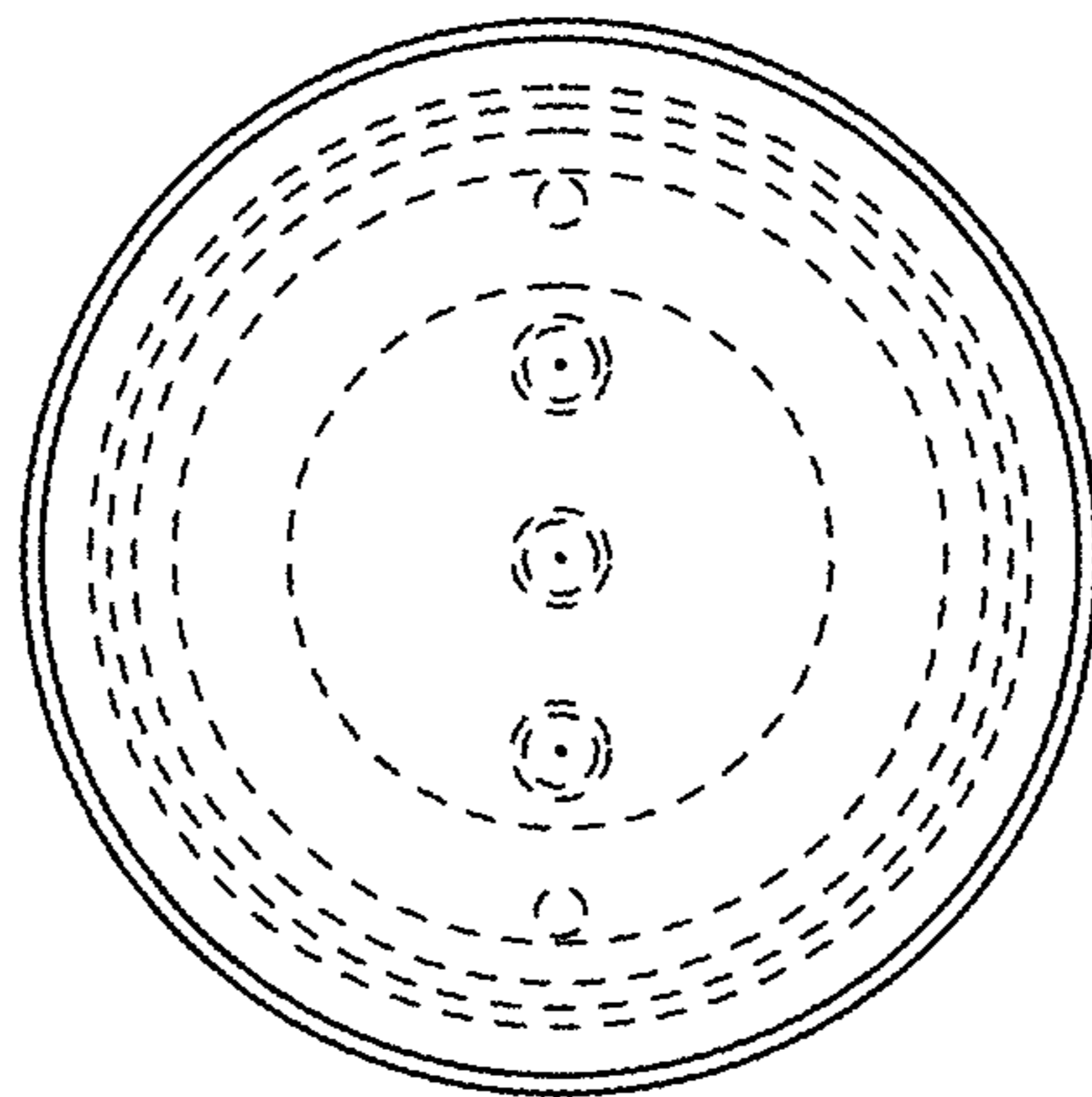


FIG. 3

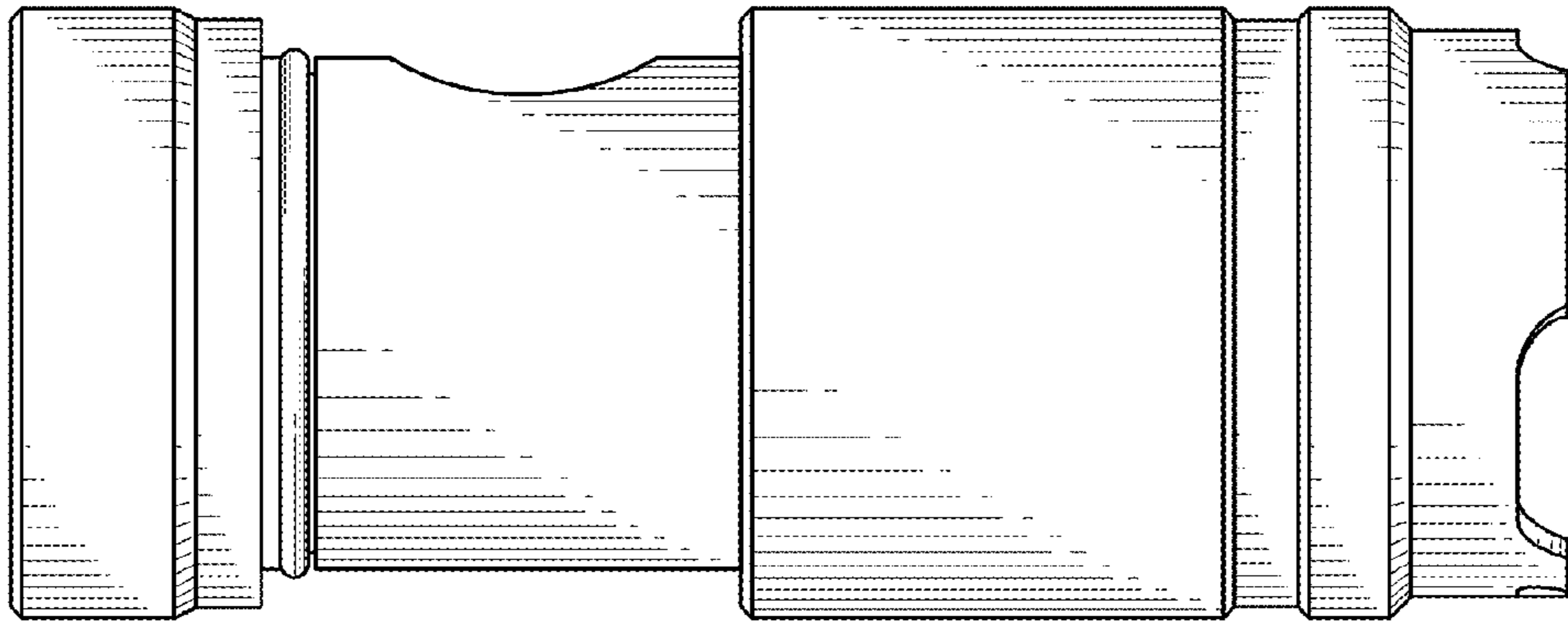


FIG. 4

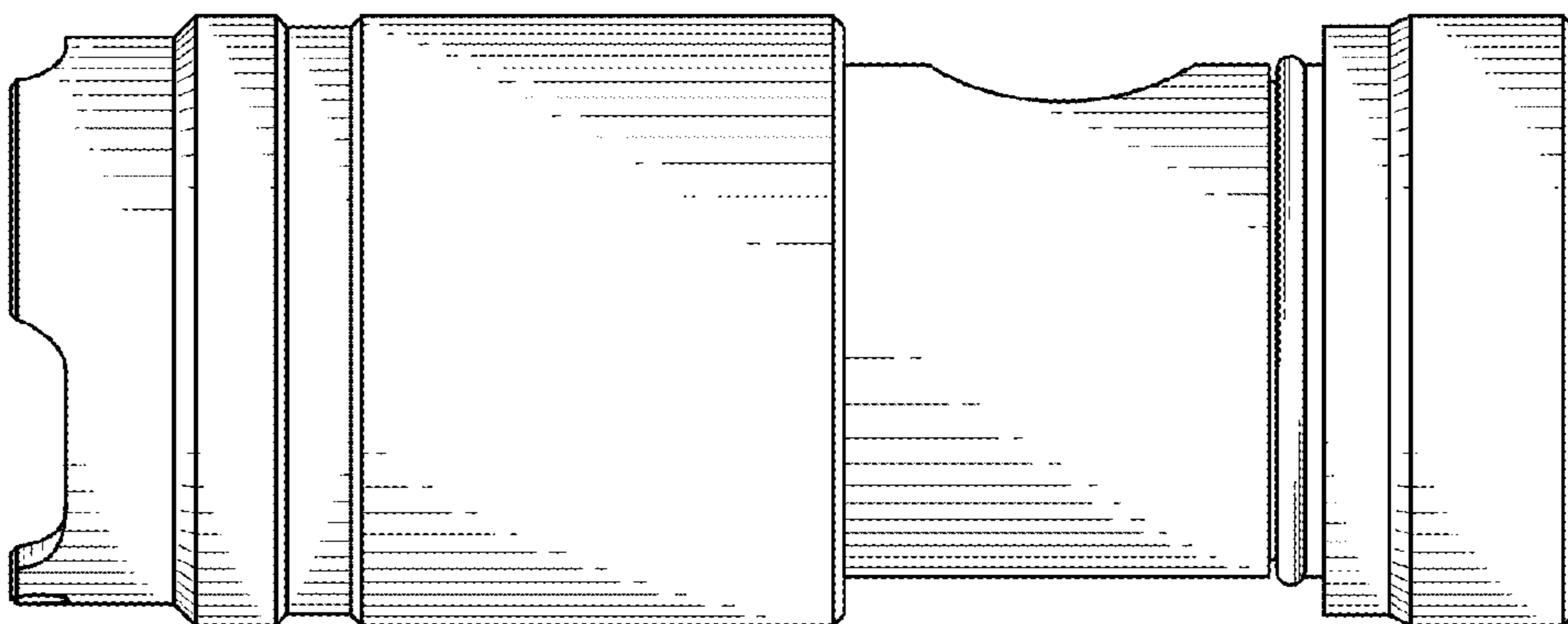


FIG. 5

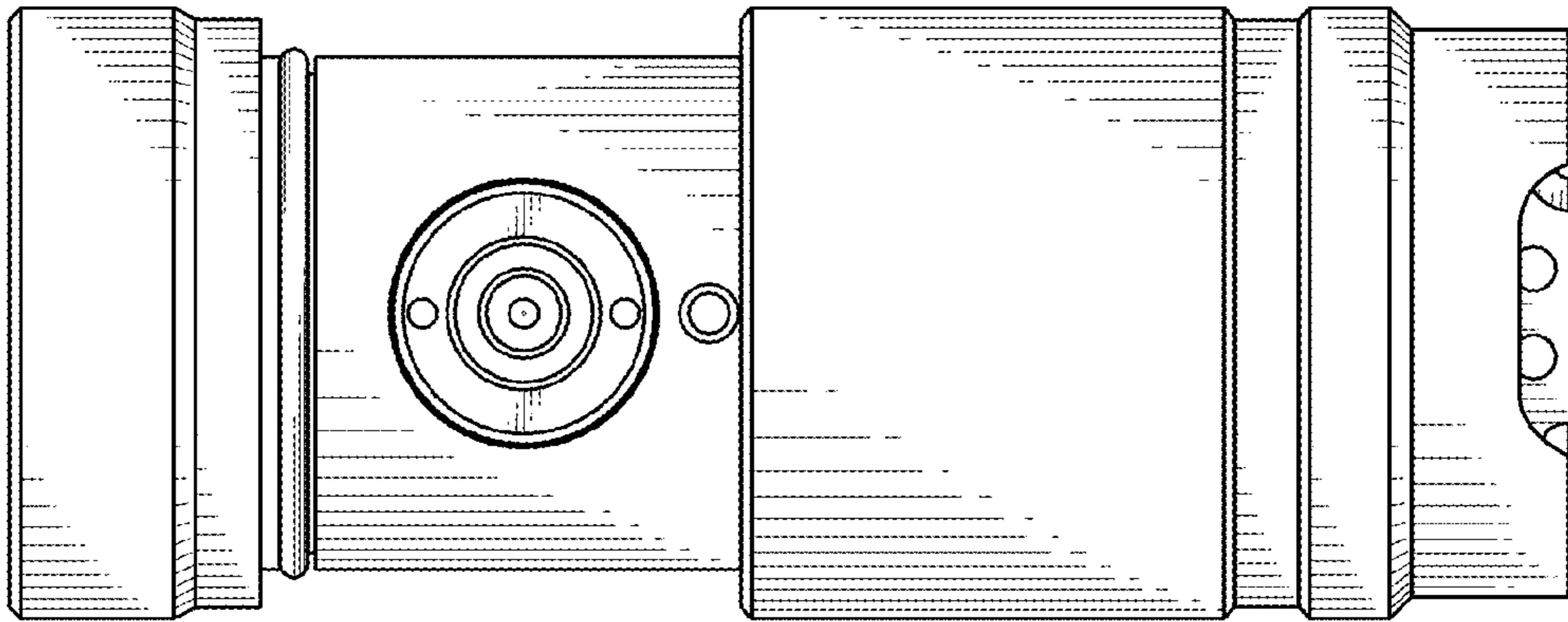


FIG. 6

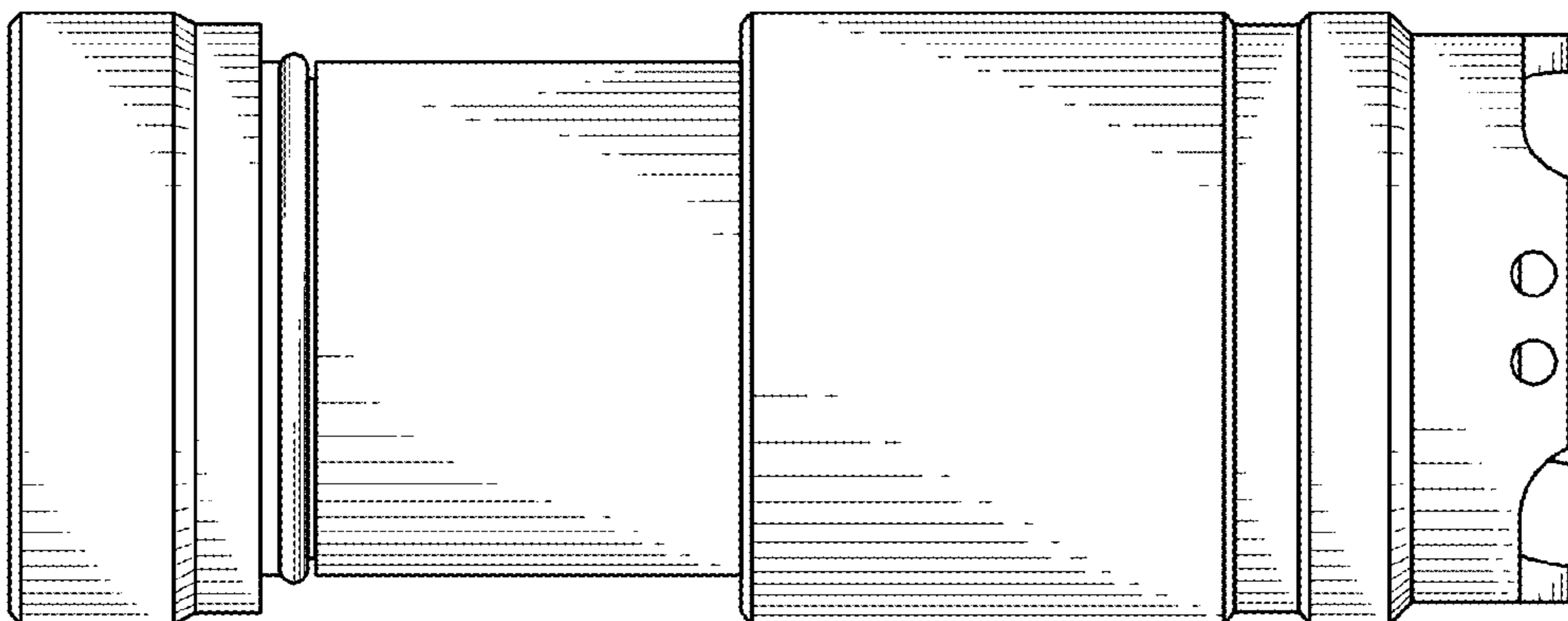


FIG. 7

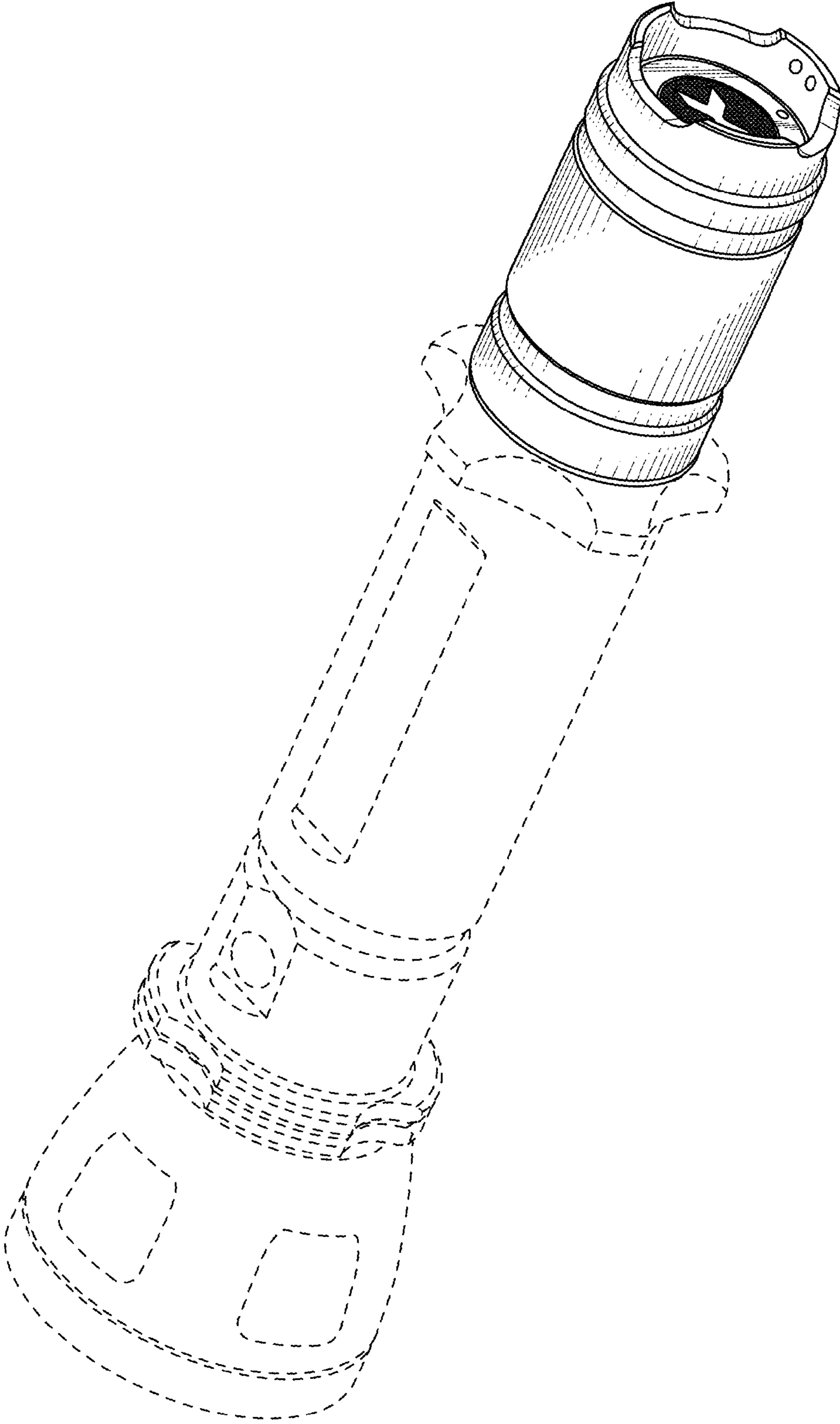


FIG. 8

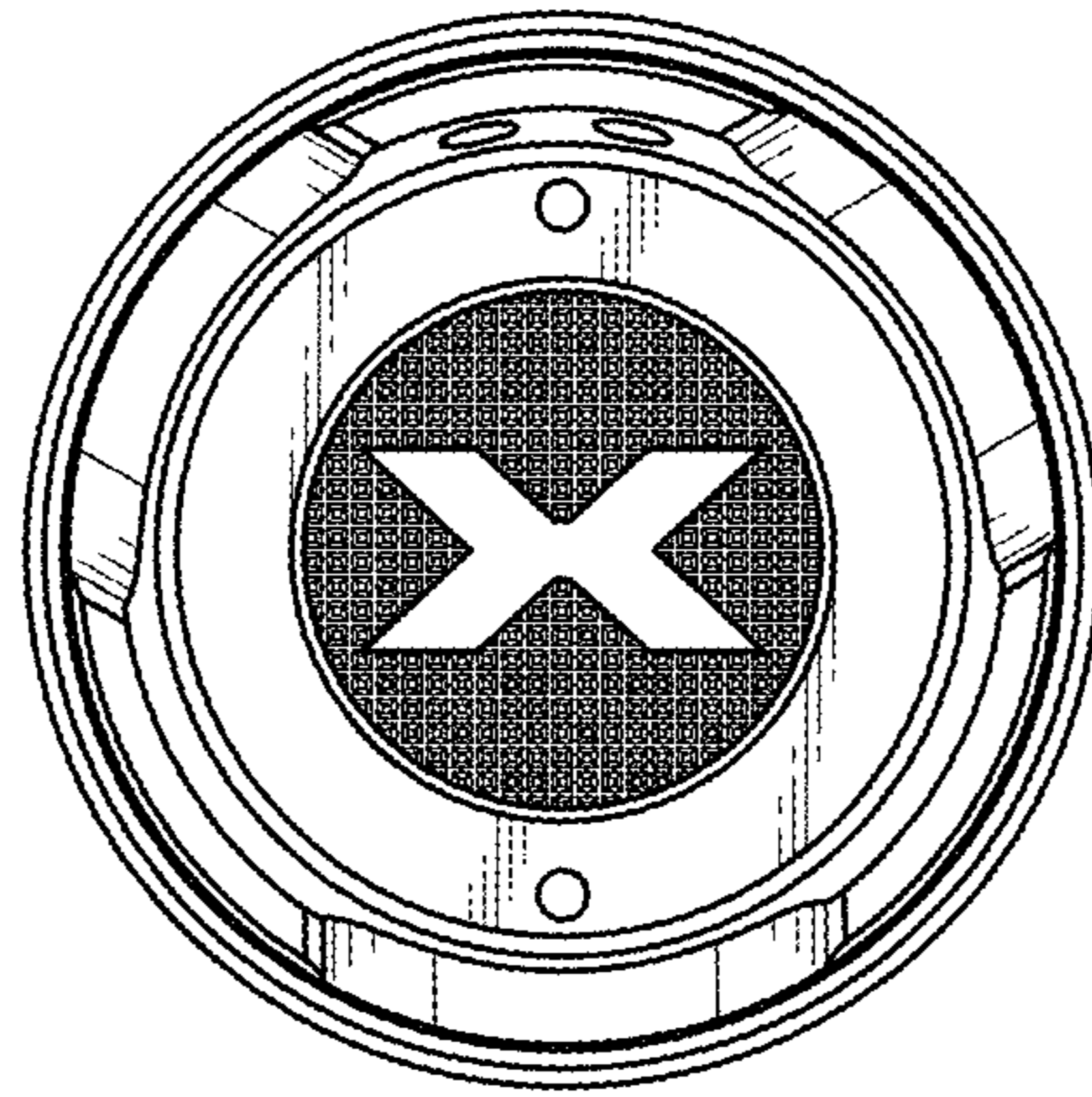


FIG. 9

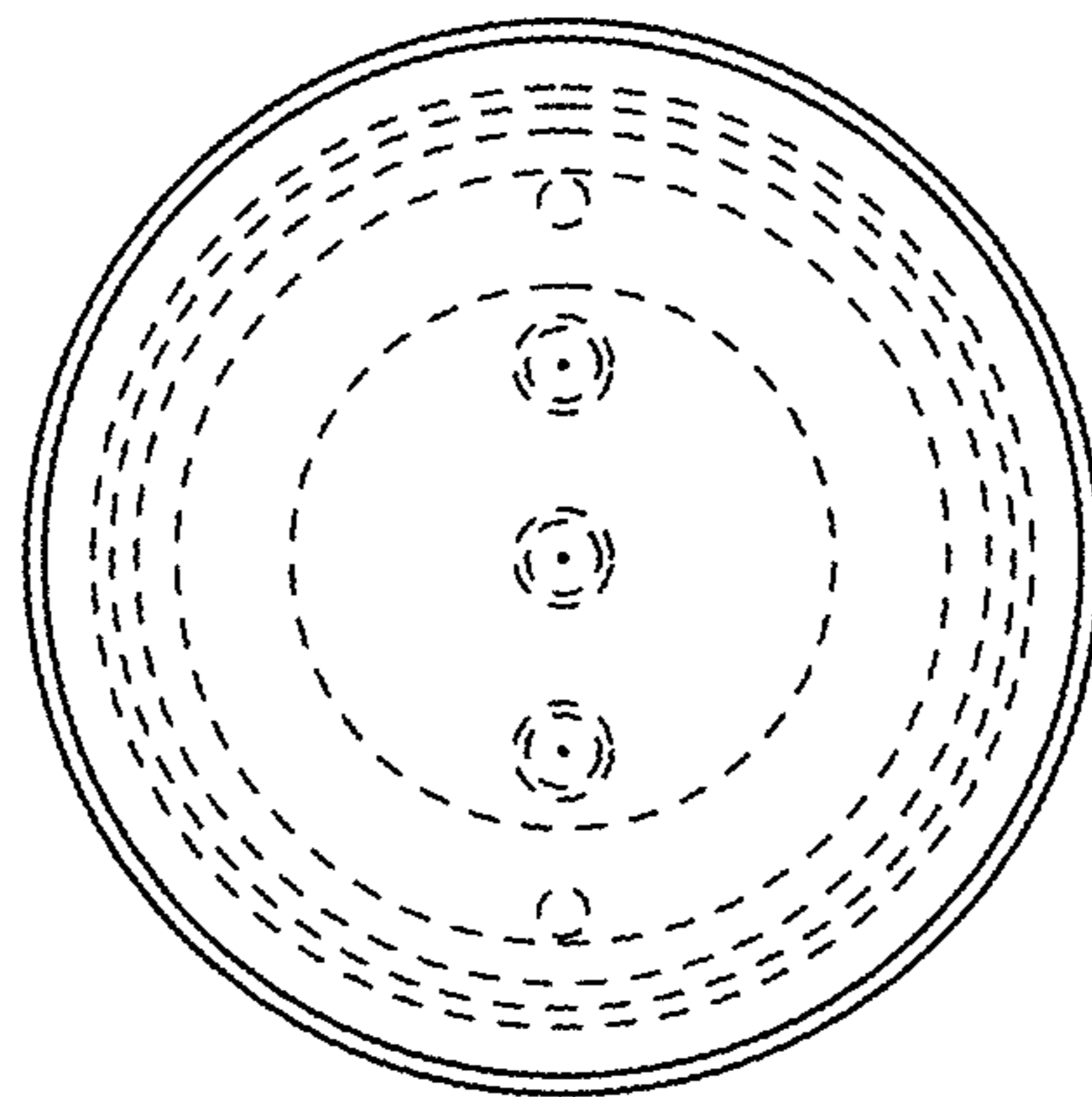


FIG. 10

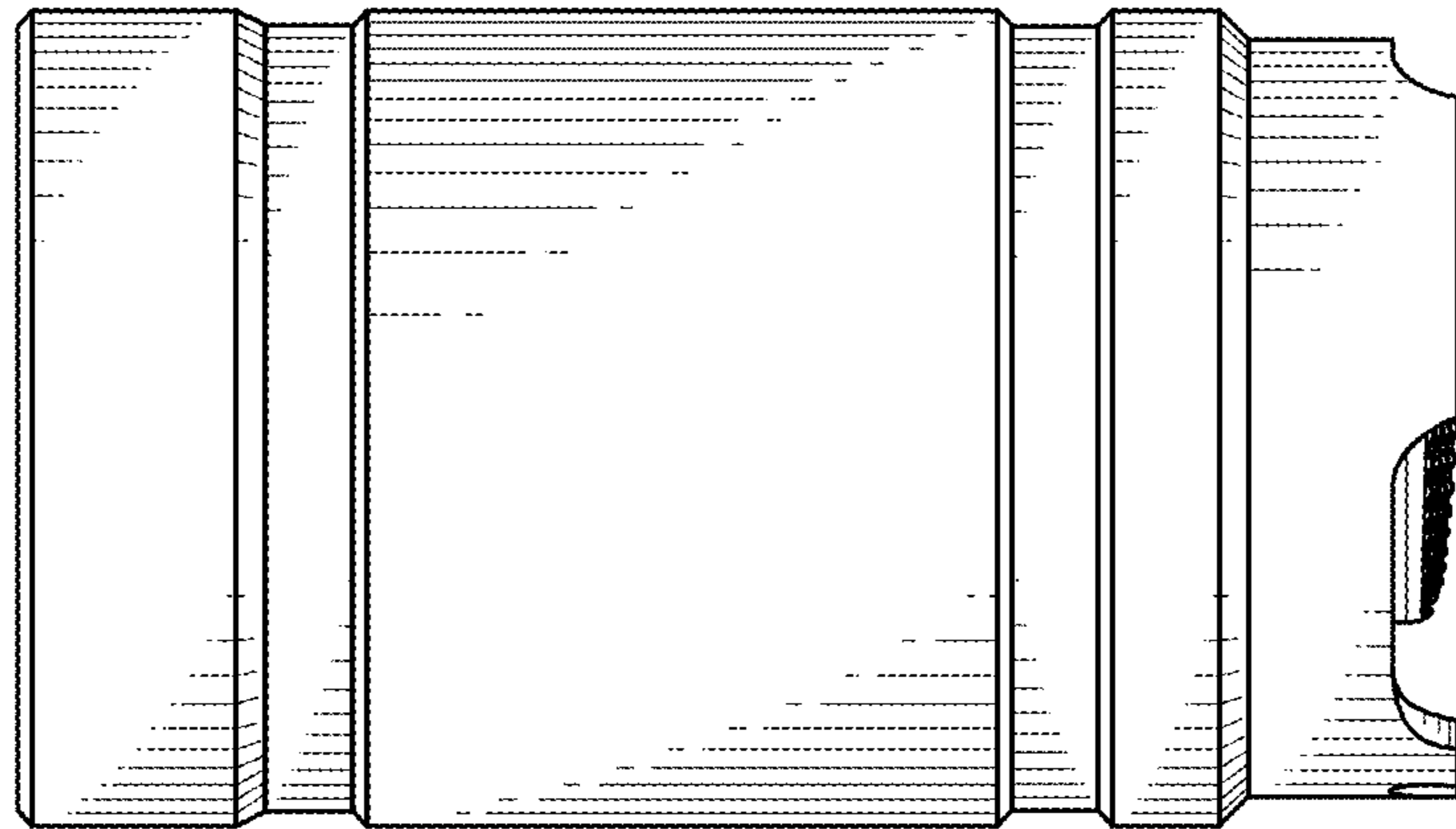


FIG. 11

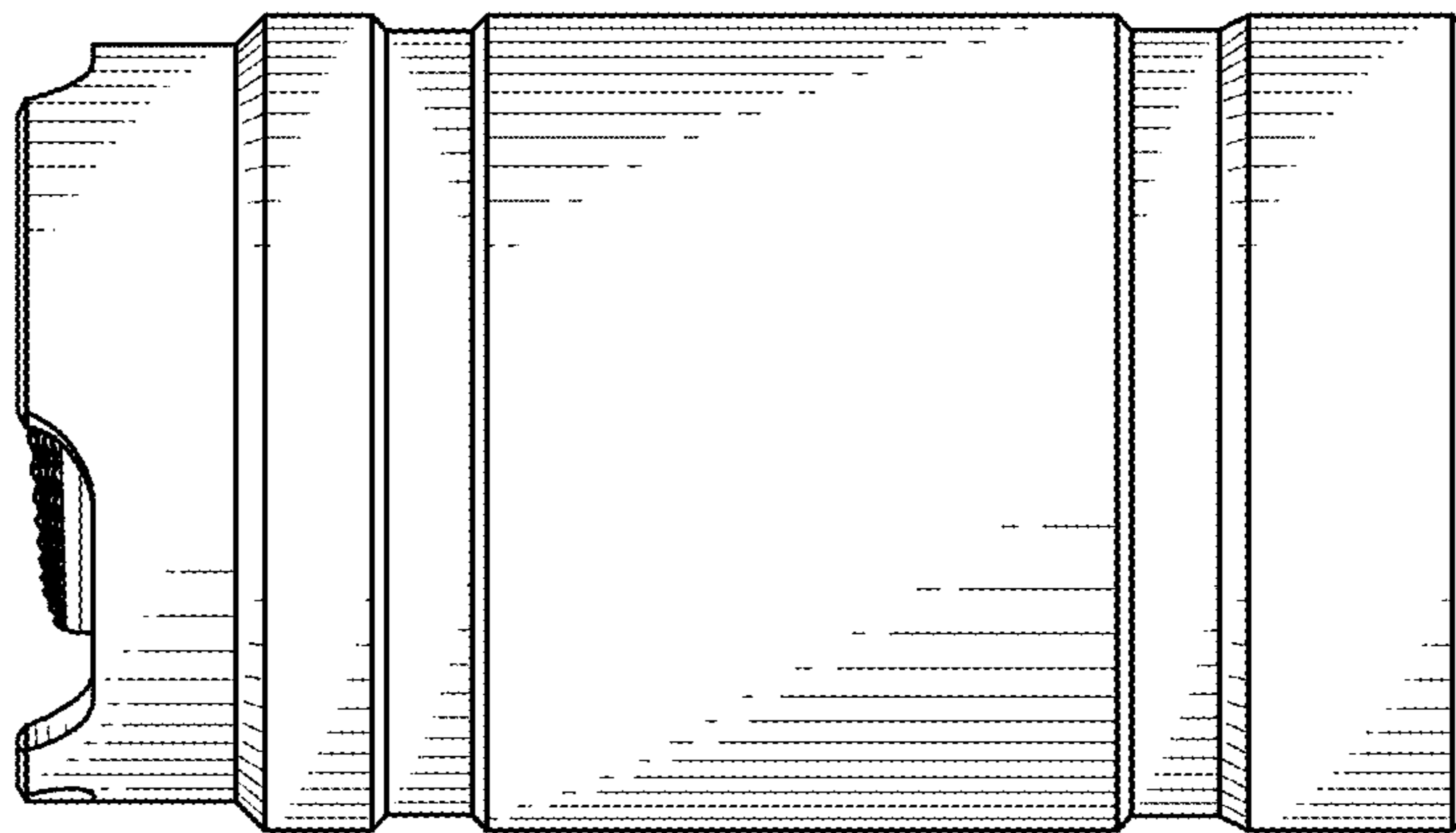


FIG. 12

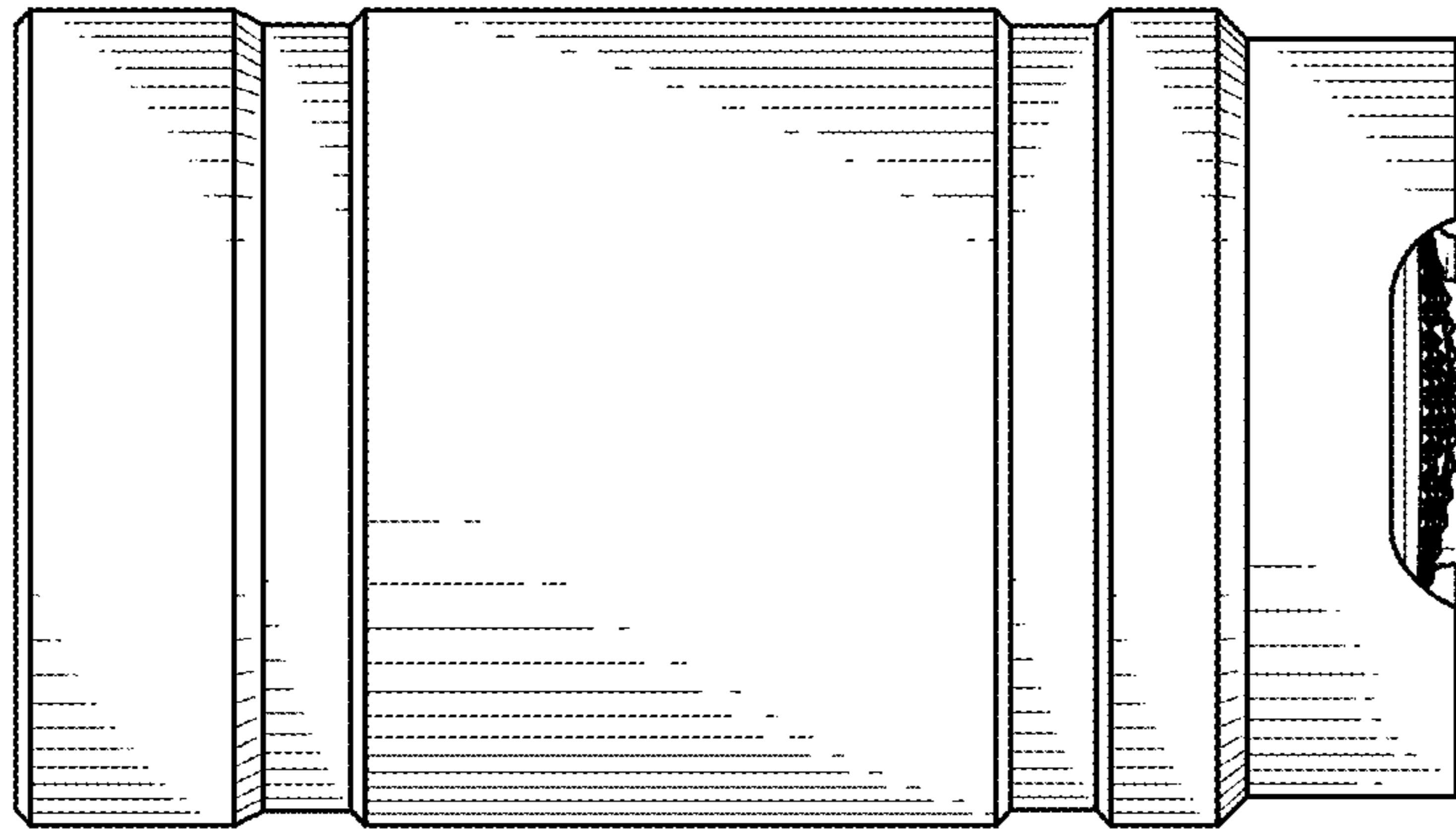


FIG. 13

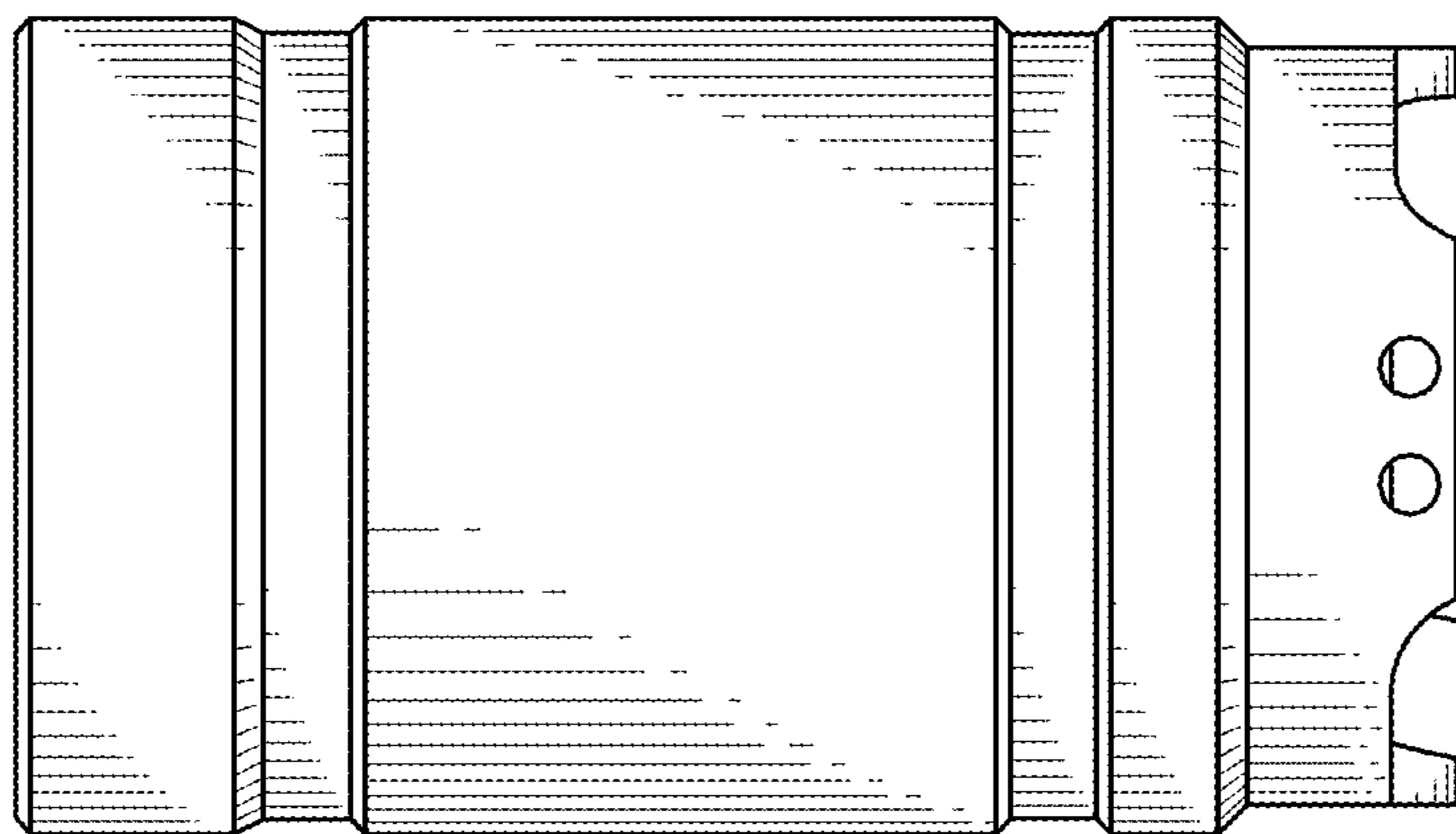


FIG. 14