



US00D688826S

(12) **United States Design Patent**  
**Fang**

(10) **Patent No.:** **US D688,826 S**

(45) **Date of Patent:** **\*\* Aug. 27, 2013**

(54) **LIGHTING APPARATUS**

(75) Inventor: **Yi Fang, Yuyao (CN)**

(73) Assignee: **Ningbo UTEC Electric Co. Ltd. (CN)**

(\*\*) Term: **14 Years**

(21) Appl. No.: **29/418,469**

(22) Filed: **Apr. 17, 2012**

(30) **Foreign Application Priority Data**

Oct. 26, 2011 (CN) ..... 2011 3 0384460

(51) **LOC (9) Cl.** ..... **26-05**

(52) **U.S. Cl.**  
USPC ..... **D26/74**

(58) **Field of Classification Search**

USPC ..... D26/74, 72, 75, 76, 77, 78, 79, 113,  
D26/118, 120, 122, 138, 141; 362/482, 145,  
362/147, 148, 150, 151, 152, 153, 153.1,  
362/218, 217.02, 217.03, 217.05, 217.07,  
362/217.08, 217.09, 217.1, 217.11, 217.14,  
362/217.15, 342, 346, 347, 364, 365, 366,  
362/800, 260, 279, 280, 290, 291, 292, 294,  
362/296.01, 297, 298, 299, 300, 301, 310,  
362/296.07, 311.02, 311.01, 311.09

See application file for complete search history.

(56) **References Cited**

**U.S. PATENT DOCUMENTS**

D412,040 S \* 7/1999 Hudak et al. .... D26/87  
D458,403 S \* 6/2002 Landefeld et al. .... D26/67

D483,147 S \* 12/2003 Farmer ..... D26/118  
D564,697 S \* 3/2008 Akinrele et al. .... D26/118  
D565,240 S \* 3/2008 Blum et al. .... D26/138  
D581,579 S \* 11/2008 Ottobre ..... D26/118  
D614,802 S \* 4/2010 Hsieh ..... D26/118  
D617,491 S \* 6/2010 Dordoni ..... D26/85  
D617,492 S \* 6/2010 Dordoni ..... D26/85  
D646,006 S \* 9/2011 Stolte et al. .... D26/26  
D646,828 S \* 10/2011 Pan ..... D26/74  
D646,829 S \* 10/2011 Pan ..... D26/74  
D646,830 S \* 10/2011 Pan ..... D26/74

\* cited by examiner

*Primary Examiner* — Angela J Lee

(74) *Attorney, Agent, or Firm* — Raymond Sun

(57) **CLAIM**

The ornamental design for a lighting apparatus, as shown and described.

**DESCRIPTION**

FIG. 1 is a perspective view of a lighting apparatus showing my new design.

FIG. 2 is a top plan view thereof;

FIG. 3 is a bottom plan view thereof;

FIG. 4 is a front elevational view thereof;

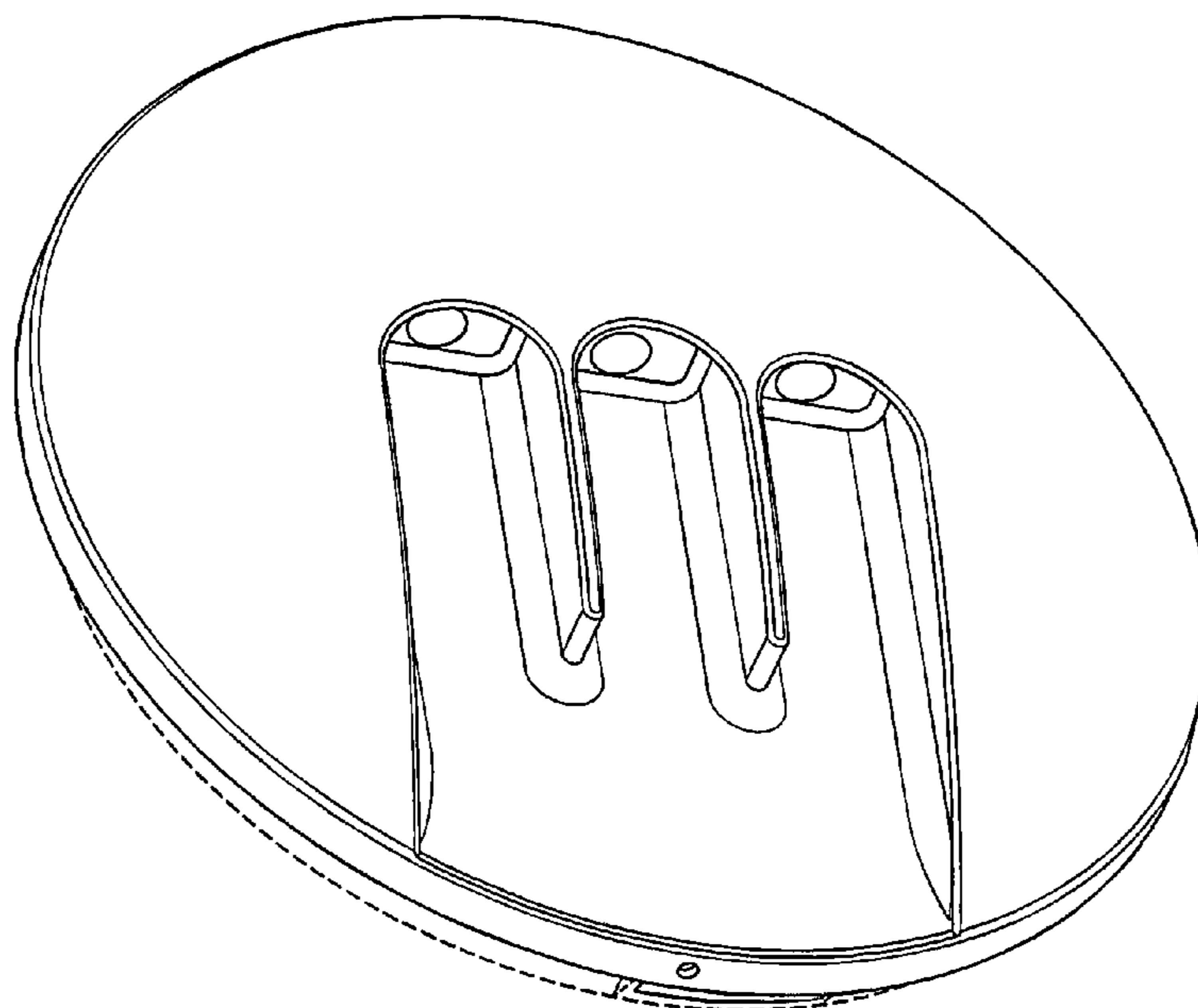
FIG. 5 is a rear elevational view thereof;

FIG. 6 is a left side elevational view thereof; and,

FIG. 7 is a right side elevational view of the lighting apparatus.

The features shown in broken lines in the figures do not represent claimed subject matter.

**1 Claim, 7 Drawing Sheets**



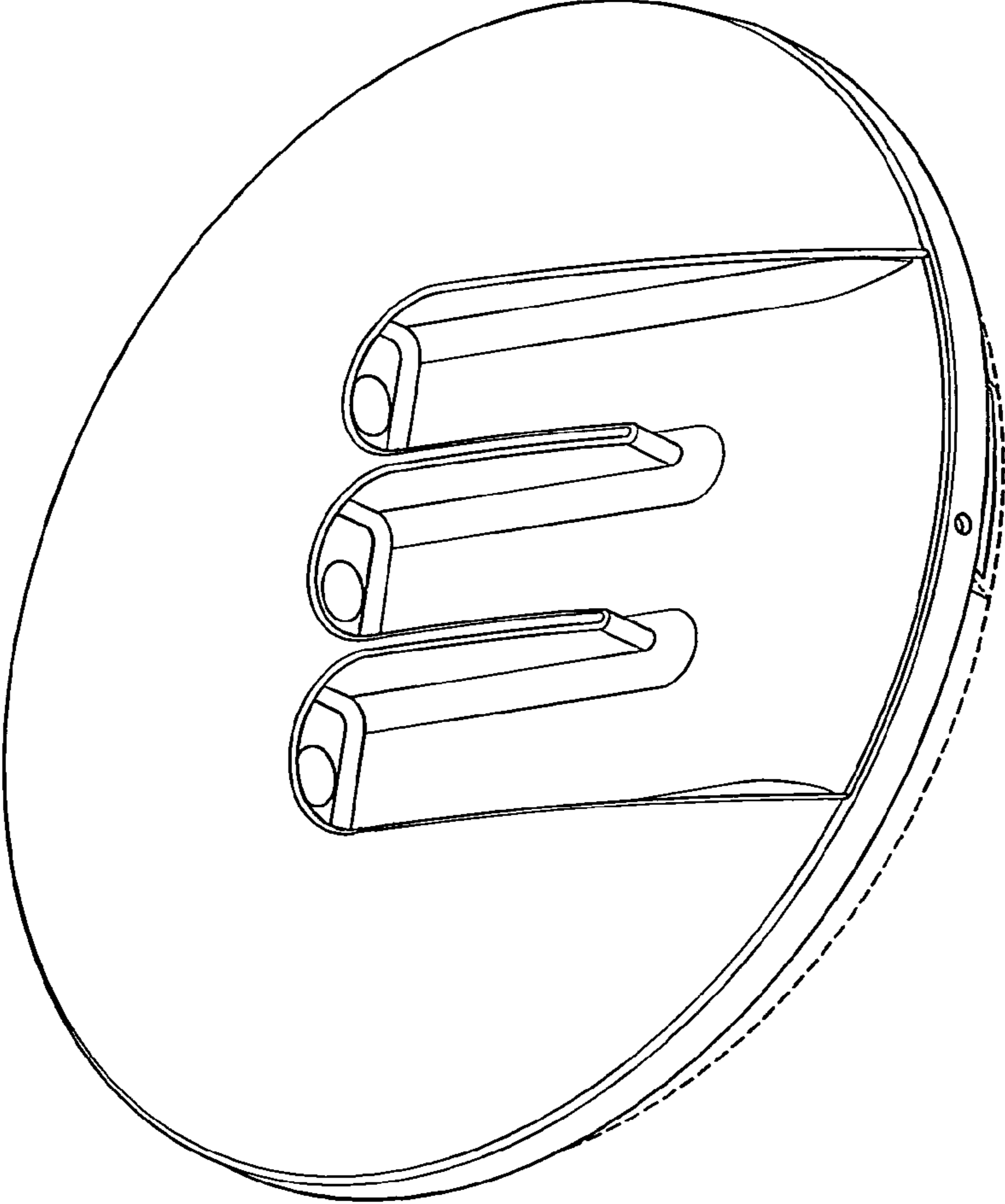


FIG. 1

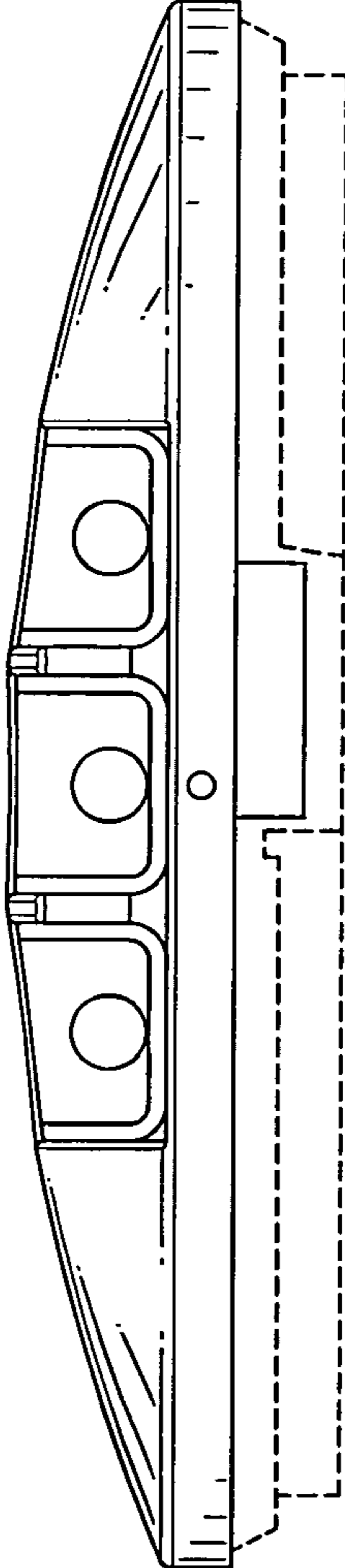


FIG. 2

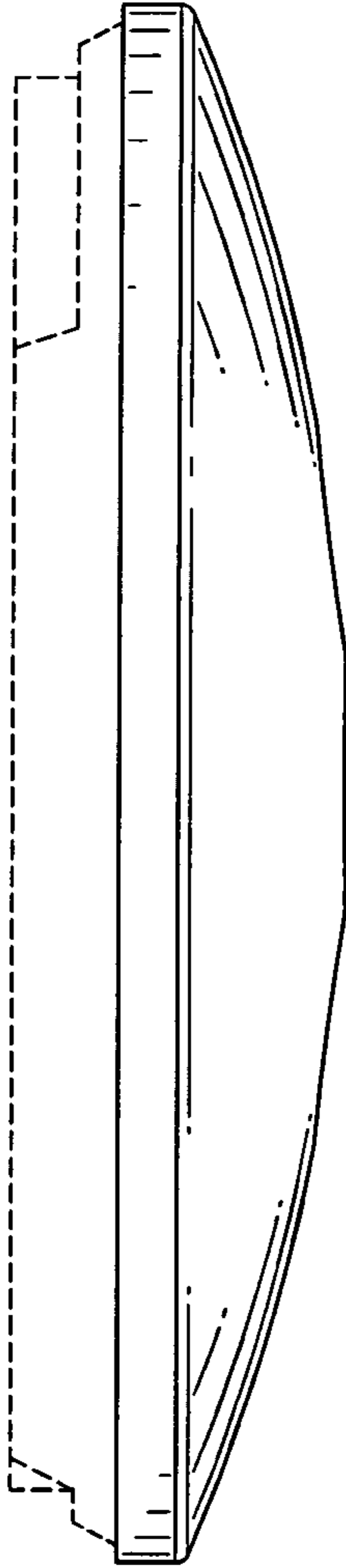


FIG. 3

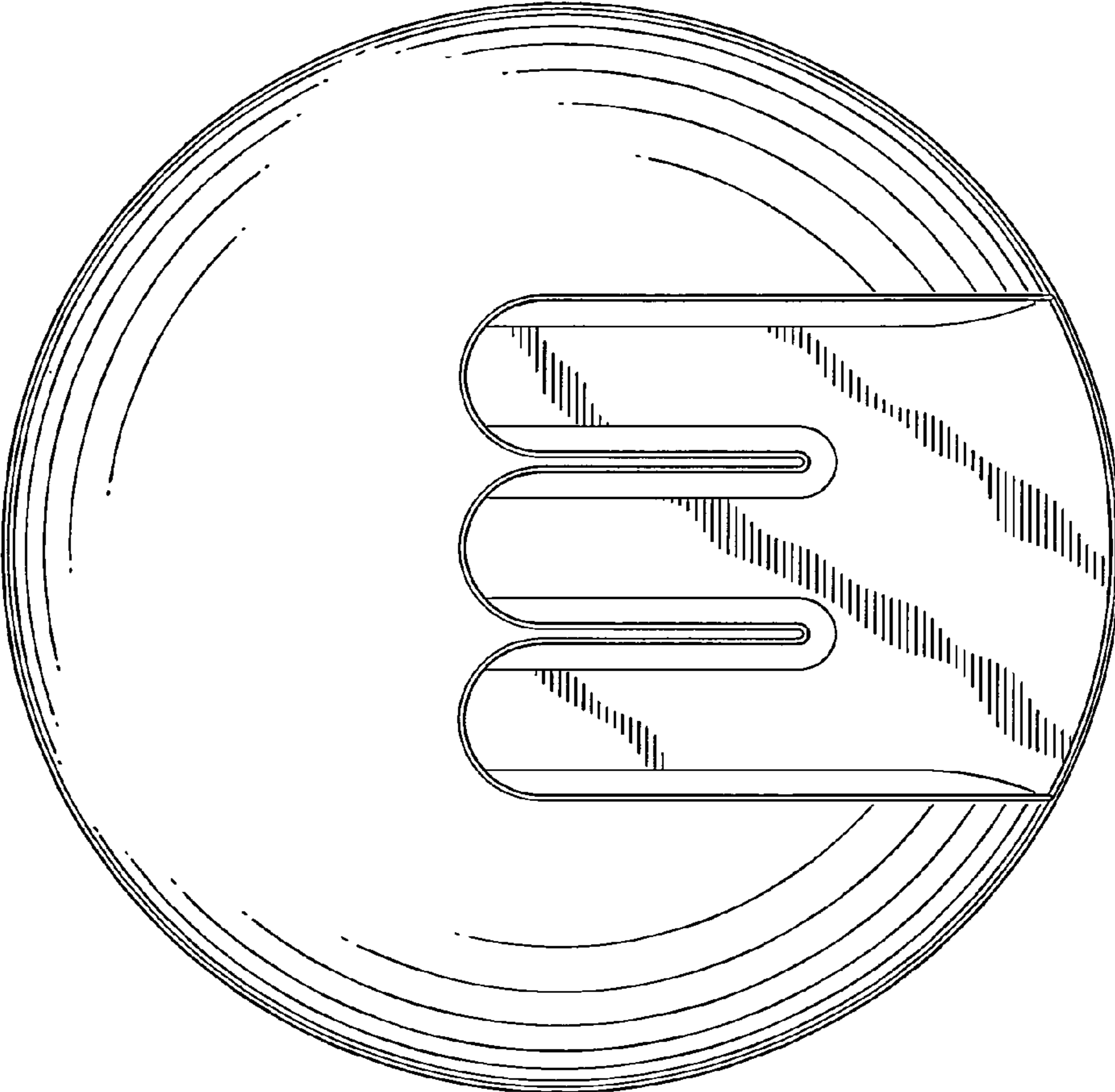


FIG.4

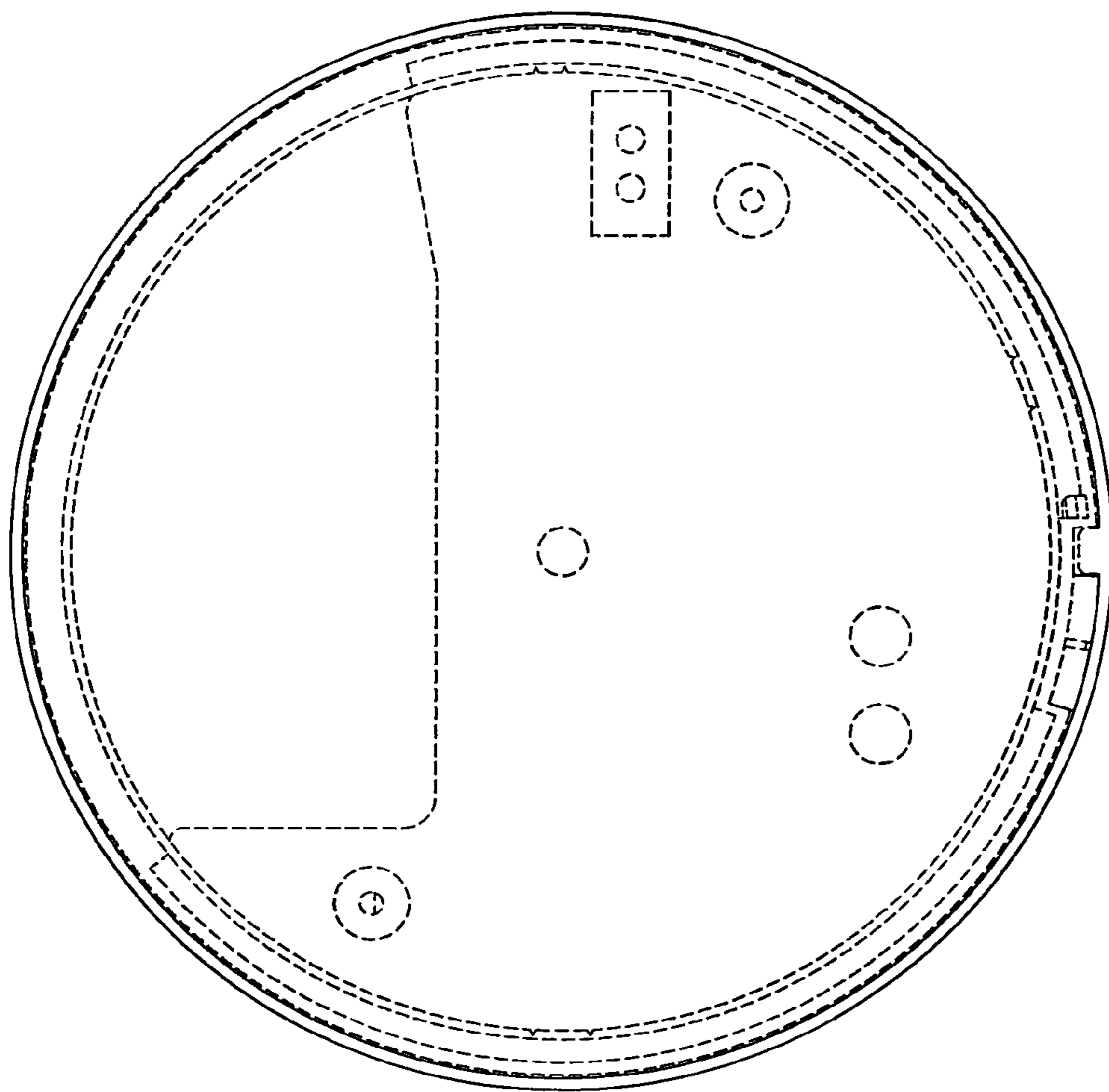


FIG. 5

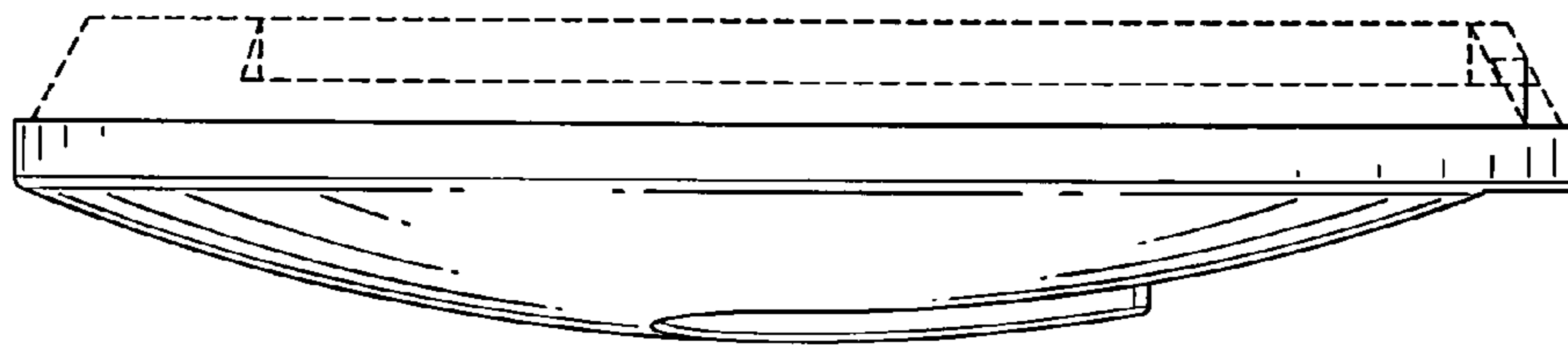


FIG. 6

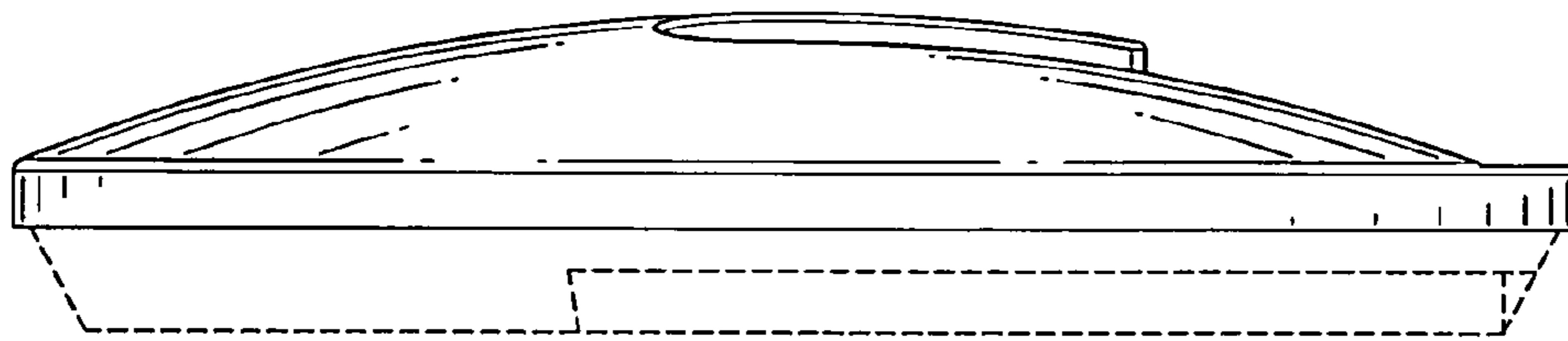


FIG. 7