



US00D688822S

(12) **United States Design Patent**
Yen

(10) **Patent No.:** **US D688,822 S**

(45) **Date of Patent:** **** Aug. 27, 2013**

(54) **LED BULB**

(76) **Inventor:** **Hsu Li Yen**, Taipei County (TW)

(**) **Term:** **14 Years**

(21) **Appl. No.:** **29/428,662**

(22) **Filed:** **Aug. 2, 2012**

(51) **LOC (9) Cl.** **26-04**

(52) **U.S. Cl.**
USPC **D26/2**

(58) **Field of Classification Search**
USPC D26/1-4; 313/313, 315, 316, 317,
313/318, 493; 315/52, 53, 56, 57, 58
See application file for complete search history.

(56) **References Cited**

U.S. PATENT DOCUMENTS

D508,575 S *	8/2005	Buschmann et al.	D26/2
D528,227 S *	9/2006	Chou et al.	D26/2
D531,741 S *	11/2006	Takahashi	D26/2
D534,665 S *	1/2007	Egawa et al.	D26/2
D538,953 S *	3/2007	Mama	D26/2

D615,220 S *	5/2010	Crane et al.	D26/2
D651,327 S *	12/2011	Hsiao et al.	D26/2
D663,869 S *	7/2012	Choi et al.	D26/2

* cited by examiner

Primary Examiner — Marcus Jackson

(74) *Attorney, Agent, or Firm* — Rosenberg, Klein & Lee

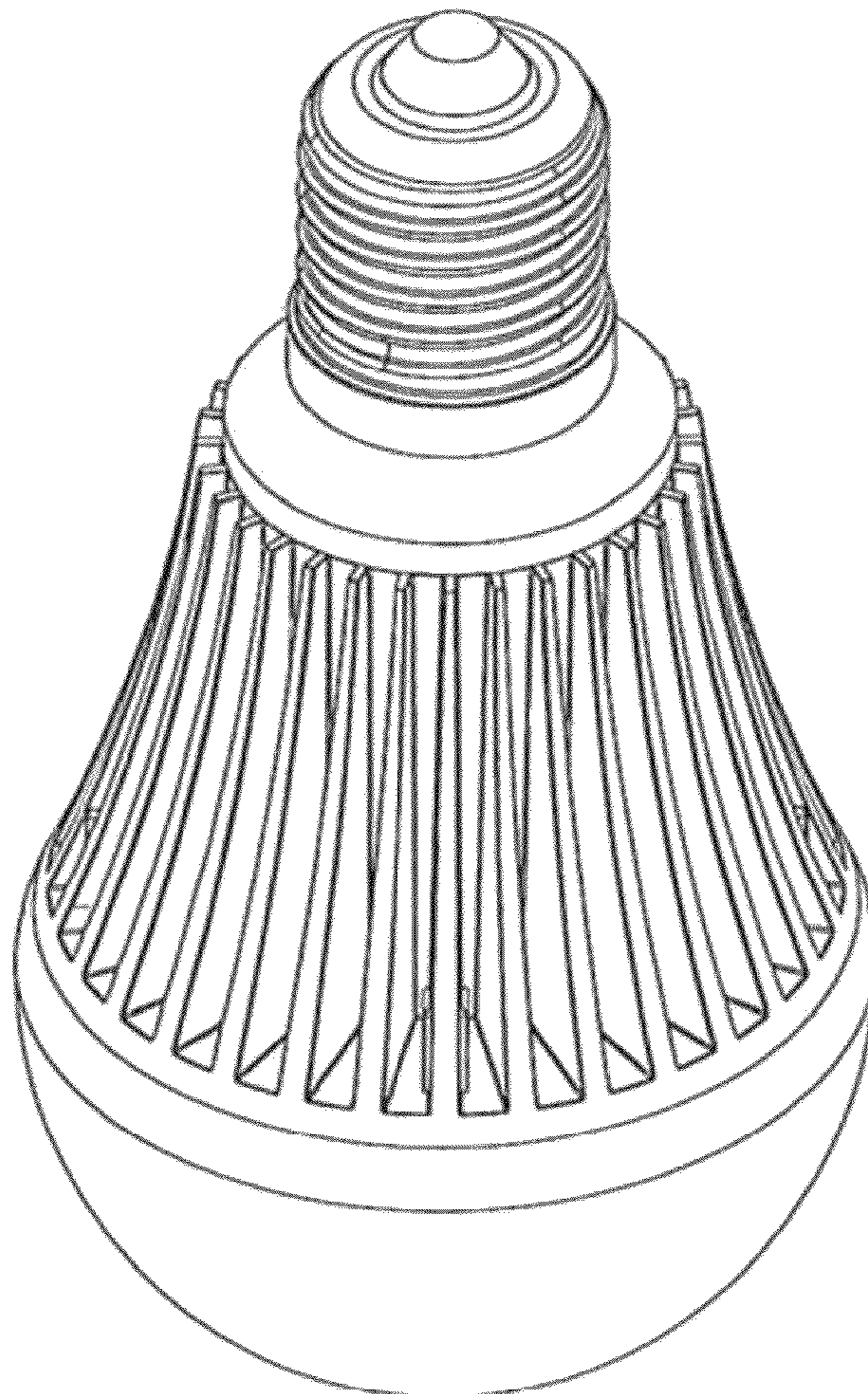
(57) **CLAIM**

The ornamental design for a LED bulb, as shown and described.

DESCRIPTION

FIG. 1 is a front view of the invention
FIG. 2 is a rear view of the invention
FIG. 3 is a top view of the invention
FIG. 4 is a bottom view of the invention
FIG. 5 is a left side view of the invention
FIG. 6 is a right side view of the invention; and,
FIG. 7 is a perspective view of the invention.
The invention relates to a LED bulb to create a comfortable lighting for a daily life.

1 Claim, 3 Drawing Sheets



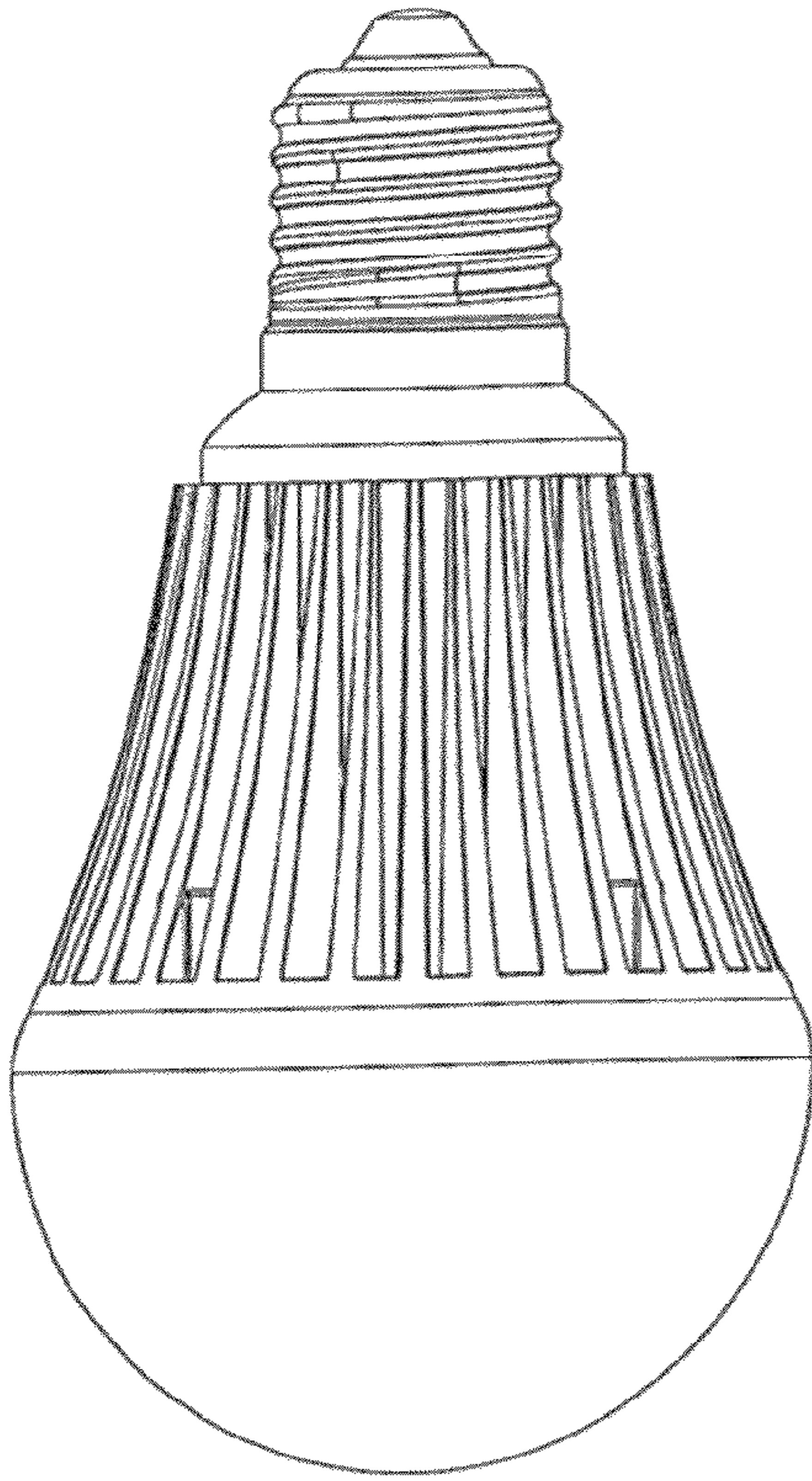


FIG. 1

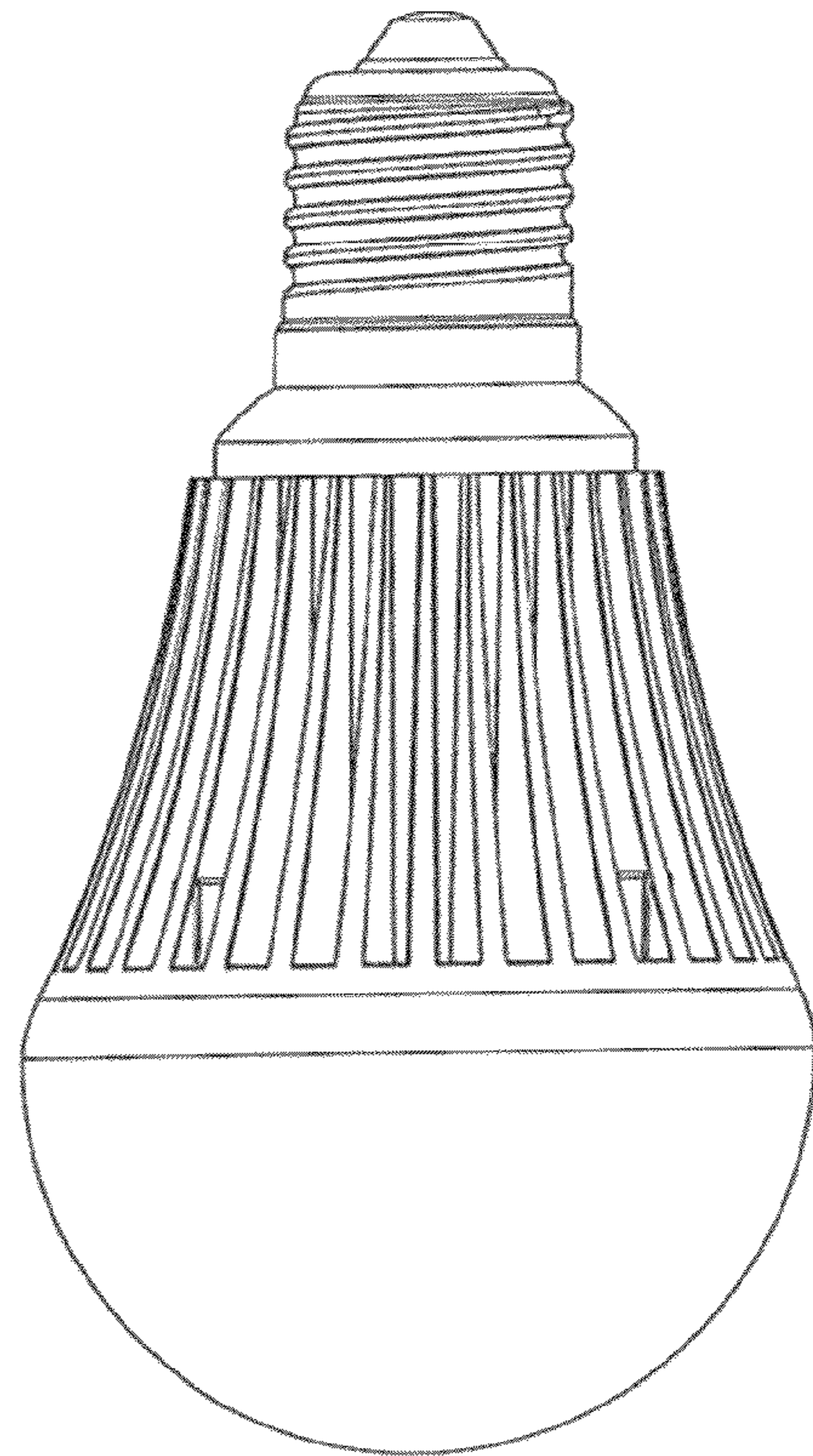


FIG. 2

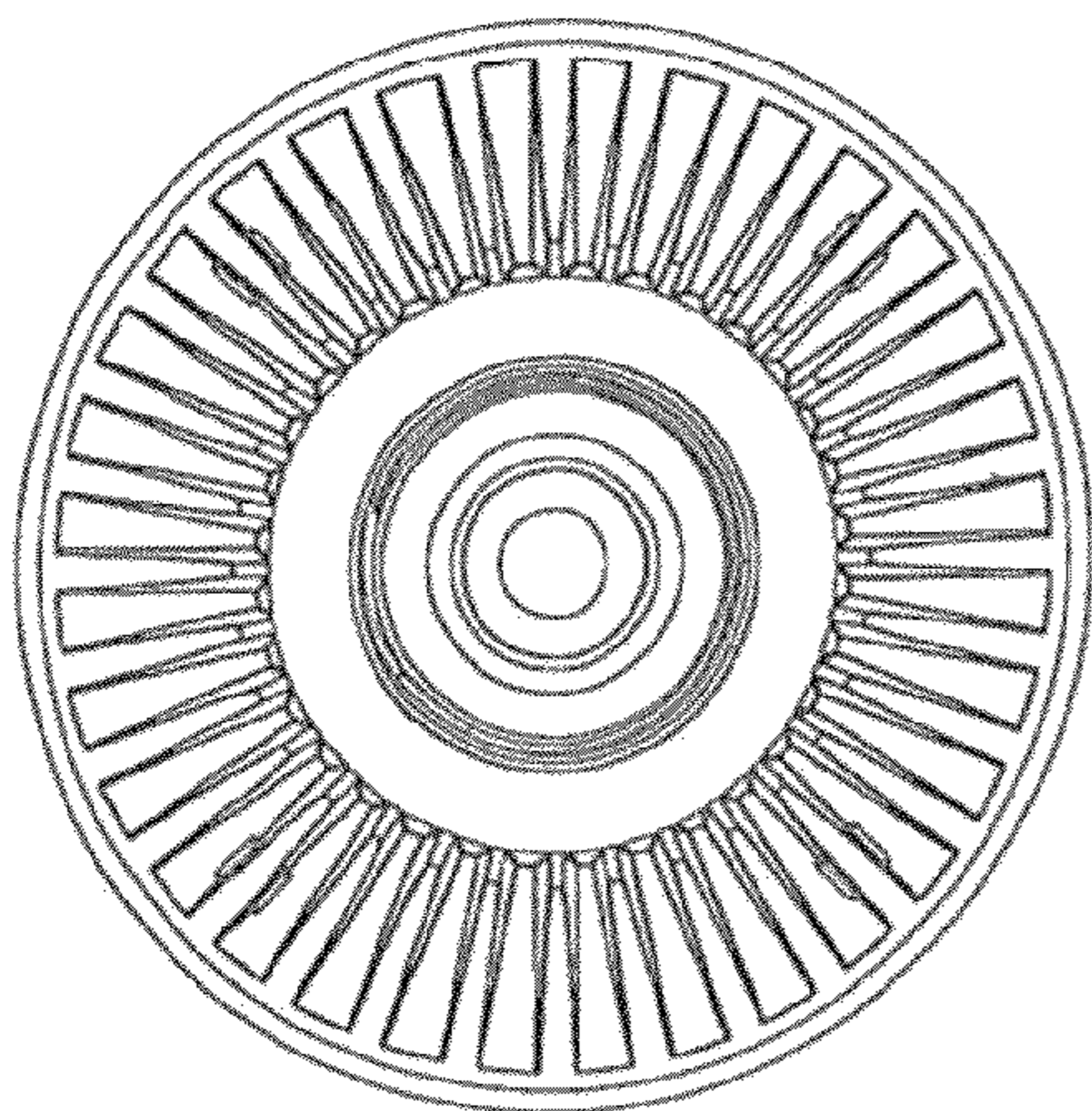


FIG. 3

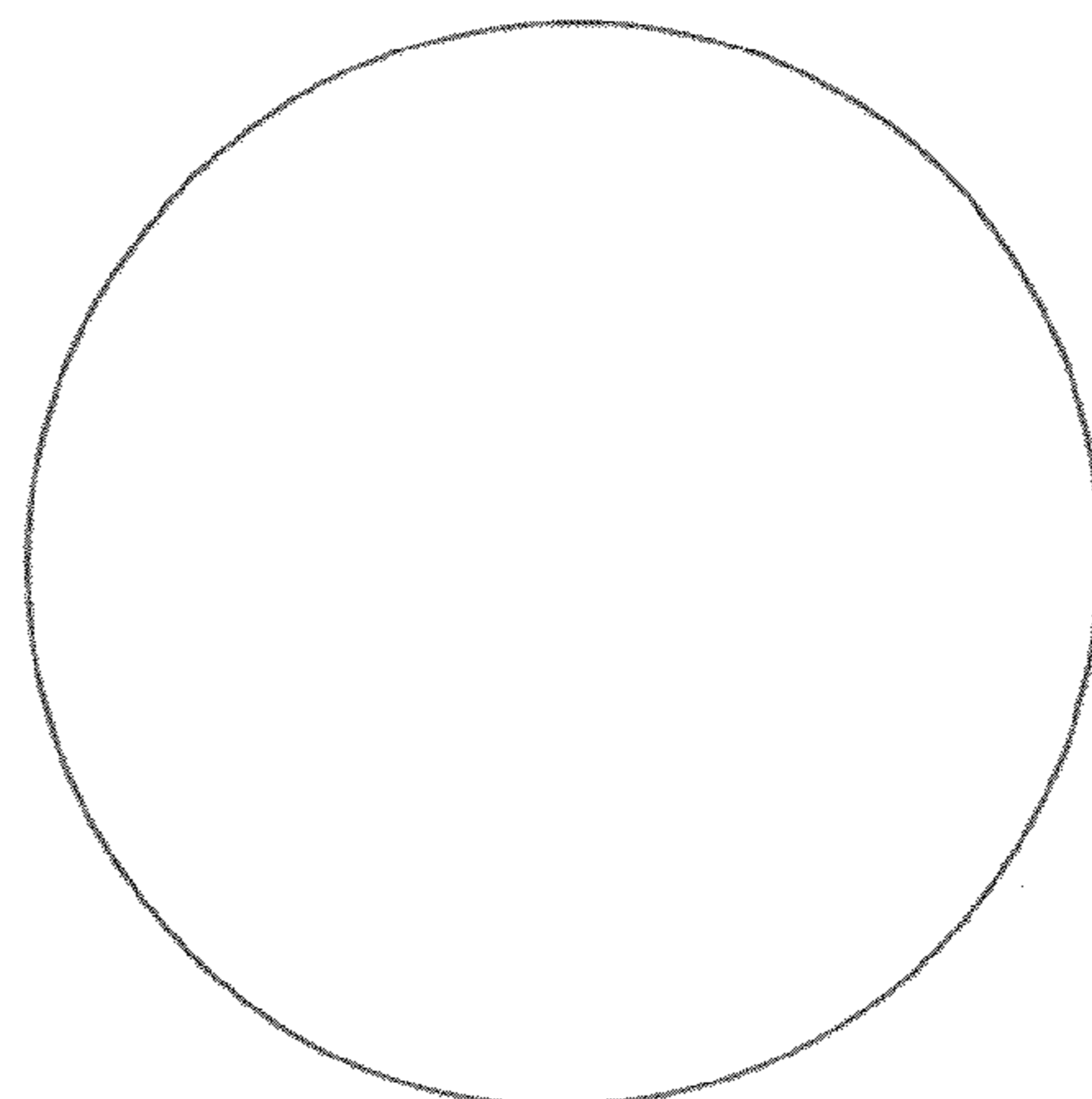


FIG. 4

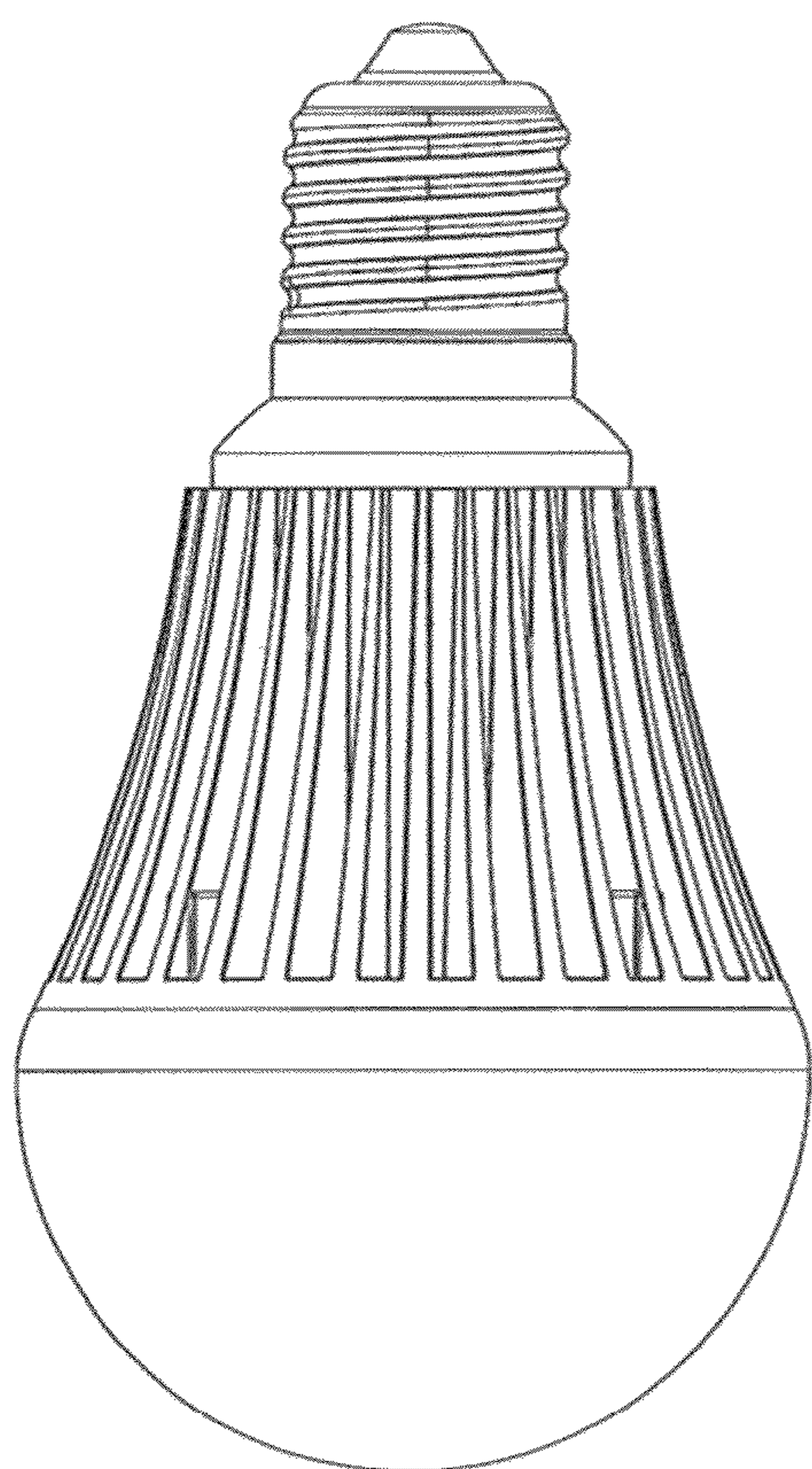


FIG. 5

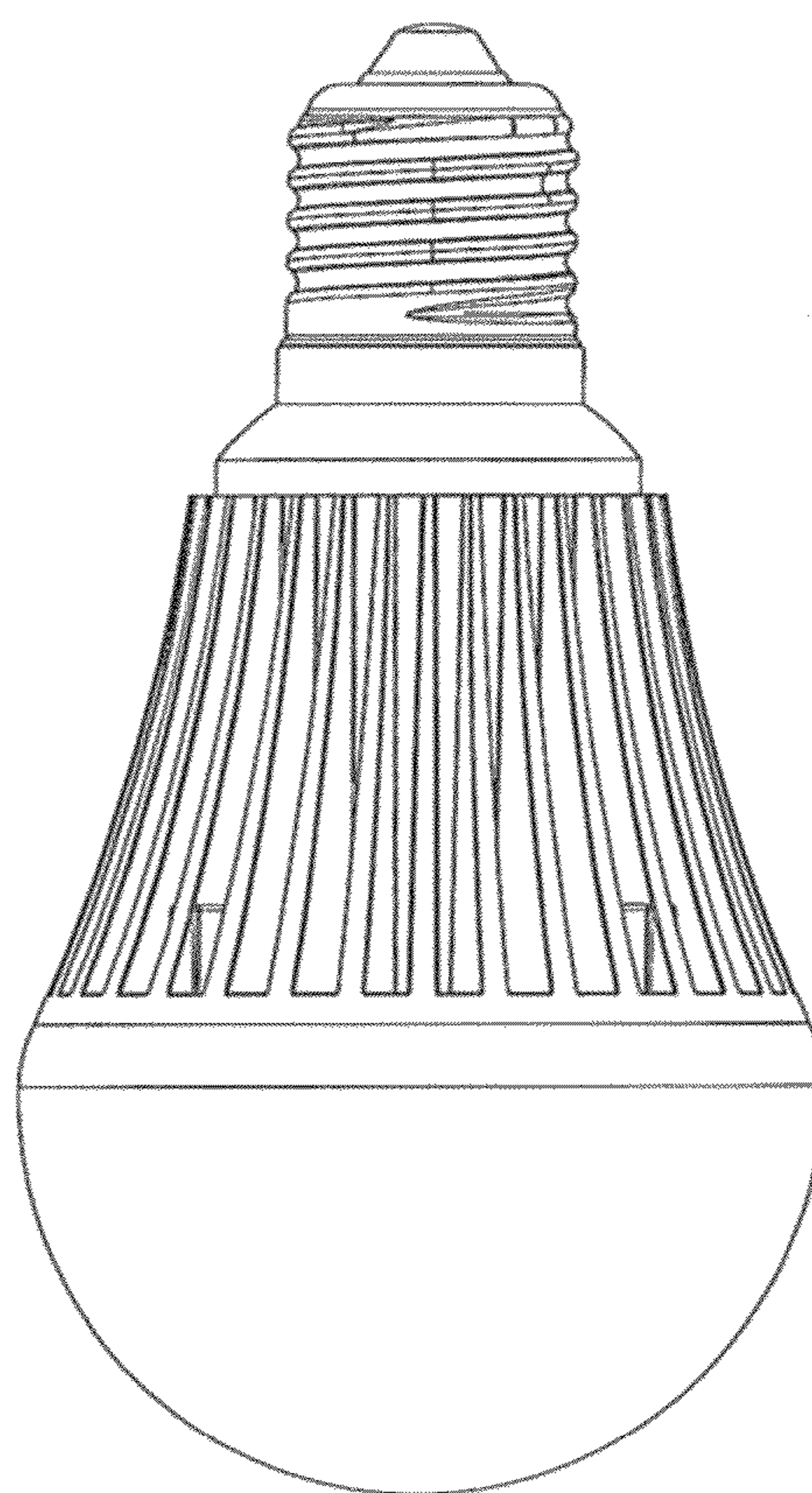


FIG. 6

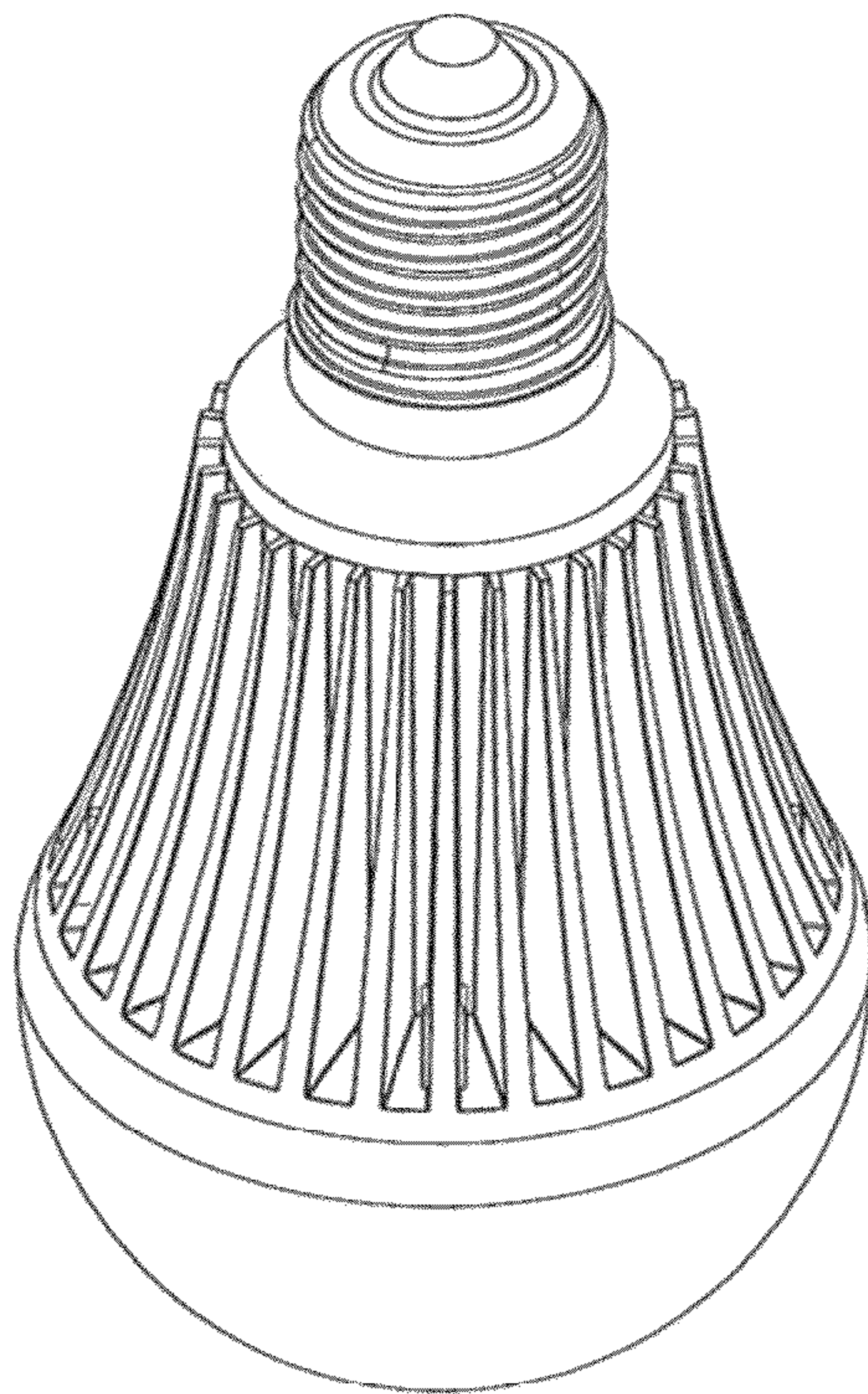


FIG. 7