



US00D68821S

(12) **United States Design Patent**  
**Fuersich et al.**

(10) **Patent No.:** **US D688,821 S**

(45) **Date of Patent:** **\*\* Aug. 27, 2013**

(54) **LED SPOTLIGHT LAMP**

(56)

**References Cited**

(75) Inventors: **Josef Fuersich**, Pollenfeld (DE);  
**Vincent Grolier**, Munich (DE);  
**Johannes Hoechtl**, Eichstaett (DE);  
**Steven Huth**, Thierhaupten (DE);  
**Christoph Krieglmeyer**, Hitzhofen /  
Hofstetten (DE); **André Neureiter**,  
Augsburg (DE); **Roland Stark**,  
Wellheim (DE)

U.S. PATENT DOCUMENTS

D542,943	S	*	5/2007	Wang	.....	D26/2
D544,110	S	*	6/2007	Hooker et al.	.....	D26/2
D546,980	S	*	7/2007	Lo	.....	D26/2
D547,886	S	*	7/2007	Foo	.....	D26/2
D549,854	S	*	8/2007	Takahashi	.....	D26/2
D566,300	S	*	4/2008	Lo	.....	D26/2
D582,579	S	*	12/2008	Tsai et al.	.....	D26/2
D587,383	S	*	2/2009	Wei	.....	D26/2
D667,571	S	*	9/2012	Zhang	.....	D26/2

(73) Assignee: **Osram AG**, Munich (DE)

\* cited by examiner

(\*\*) Term: **14 Years**

*Primary Examiner* — Marcus Jackson

(21) Appl. No.: **29/426,803**

(57) **CLAIM**

(22) Filed: **Jul. 11, 2012**

The ornamental design for a LED spotlight lamp, as shown and described.

(30) **Foreign Application Priority Data**

**DESCRIPTION**

Jan. 12, 2012 (EM) ..... 001974429

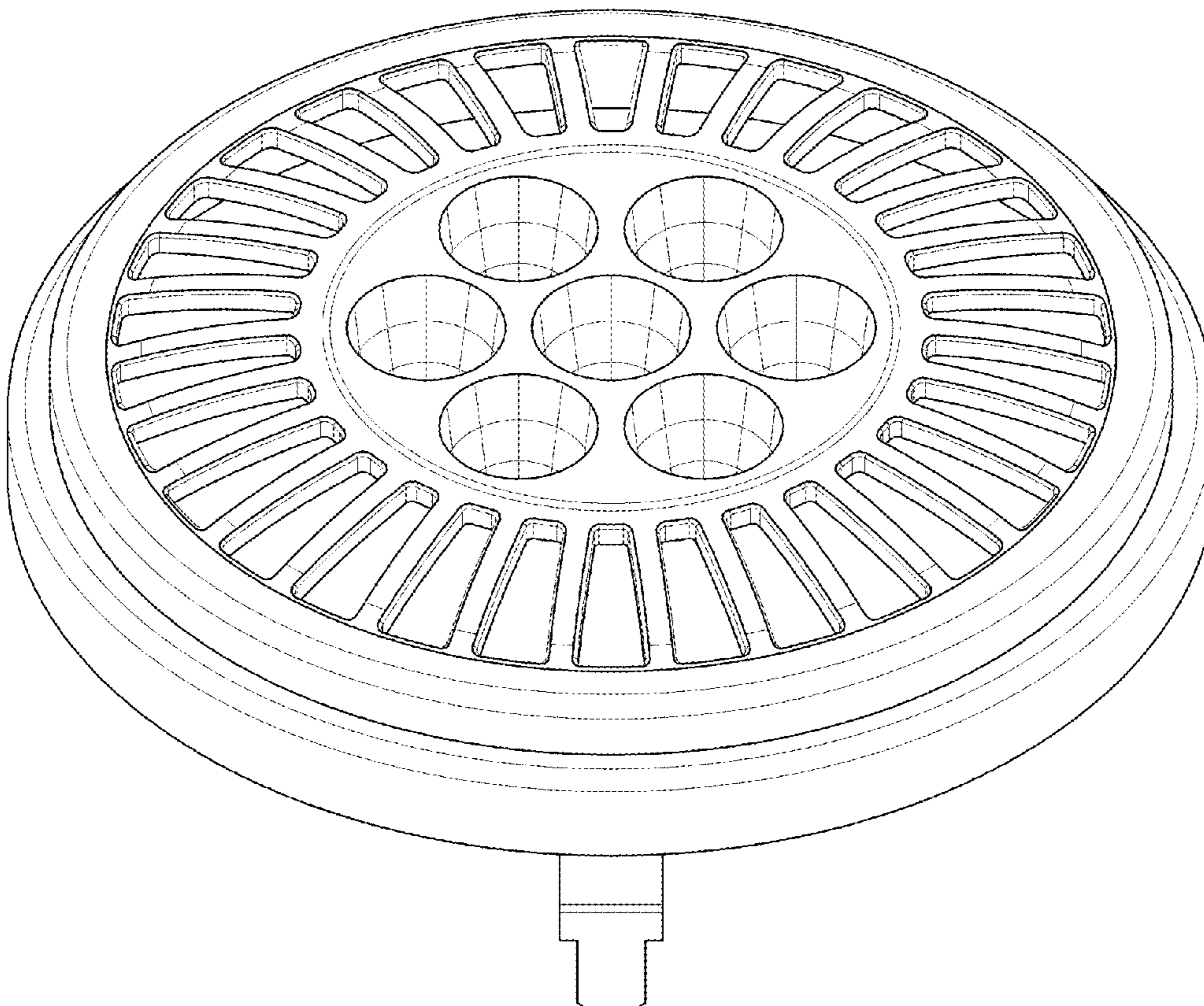
(51) **LOC (9) Cl.** ..... **26-04**

(52) **U.S. Cl.**  
USPC ..... **D26/2**

(58) **Field of Classification Search**  
USPC ..... D26/1-4; 313/313, 315, 316, 317,  
313/318, 493; 315/52, 53, 56, 57, 58  
See application file for complete search history.

FIG. 1 is a perspective view of a LED spotlight lamp;  
FIG. 2 is a front view of the LED spotlight lamp;  
FIG. 3 is a back view of the LED spotlight lamp;  
FIG. 4 is a right side view of the LED spotlight lamp;  
FIG. 5 is a left side view of the LED spotlight lamp;  
FIG. 6 is a top view of the LED spotlight lamp; and,  
FIG. 7 is a bottom view of the LED spotlight lamp.

**1 Claim, 7 Drawing Sheets**



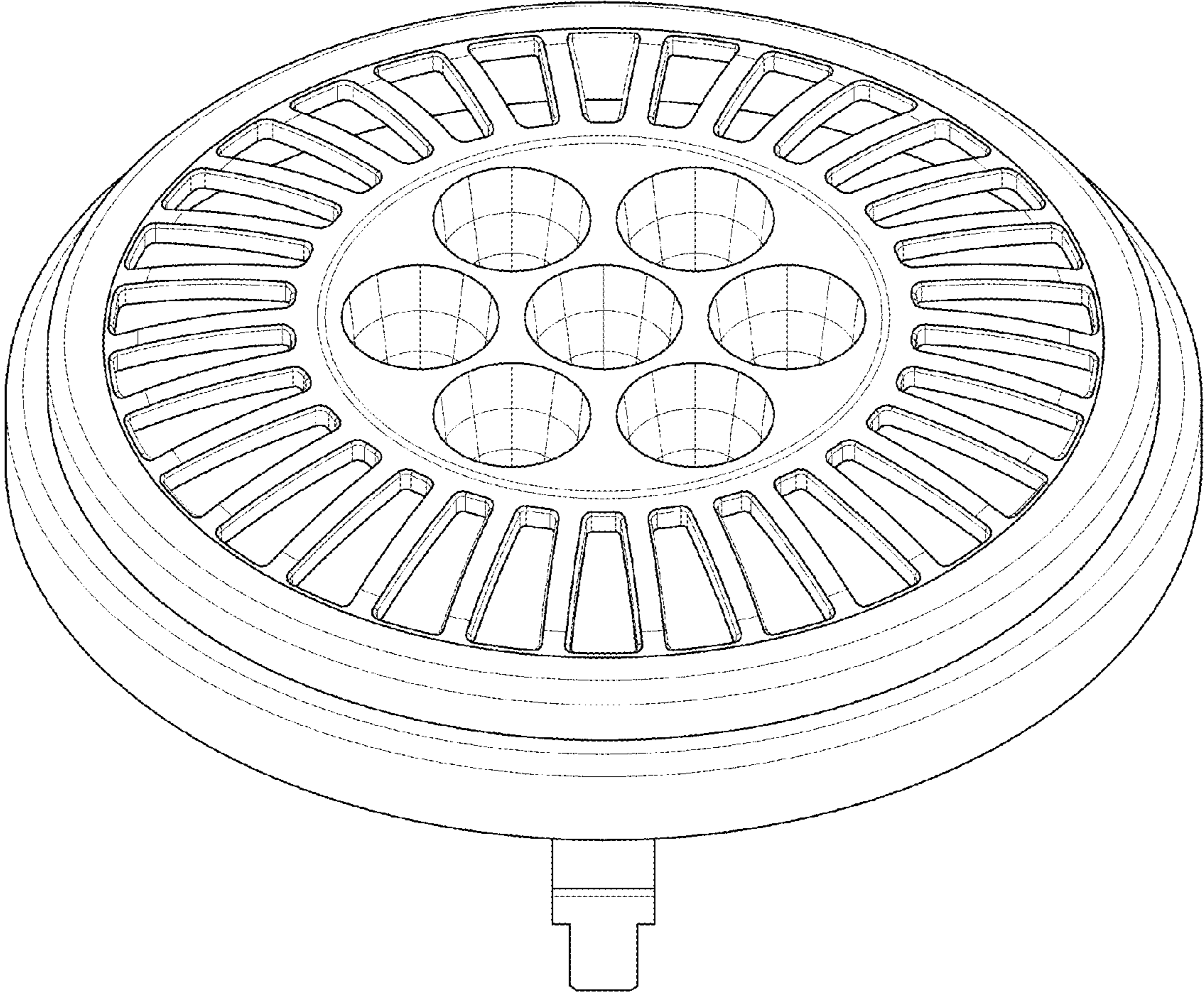


Fig. 1

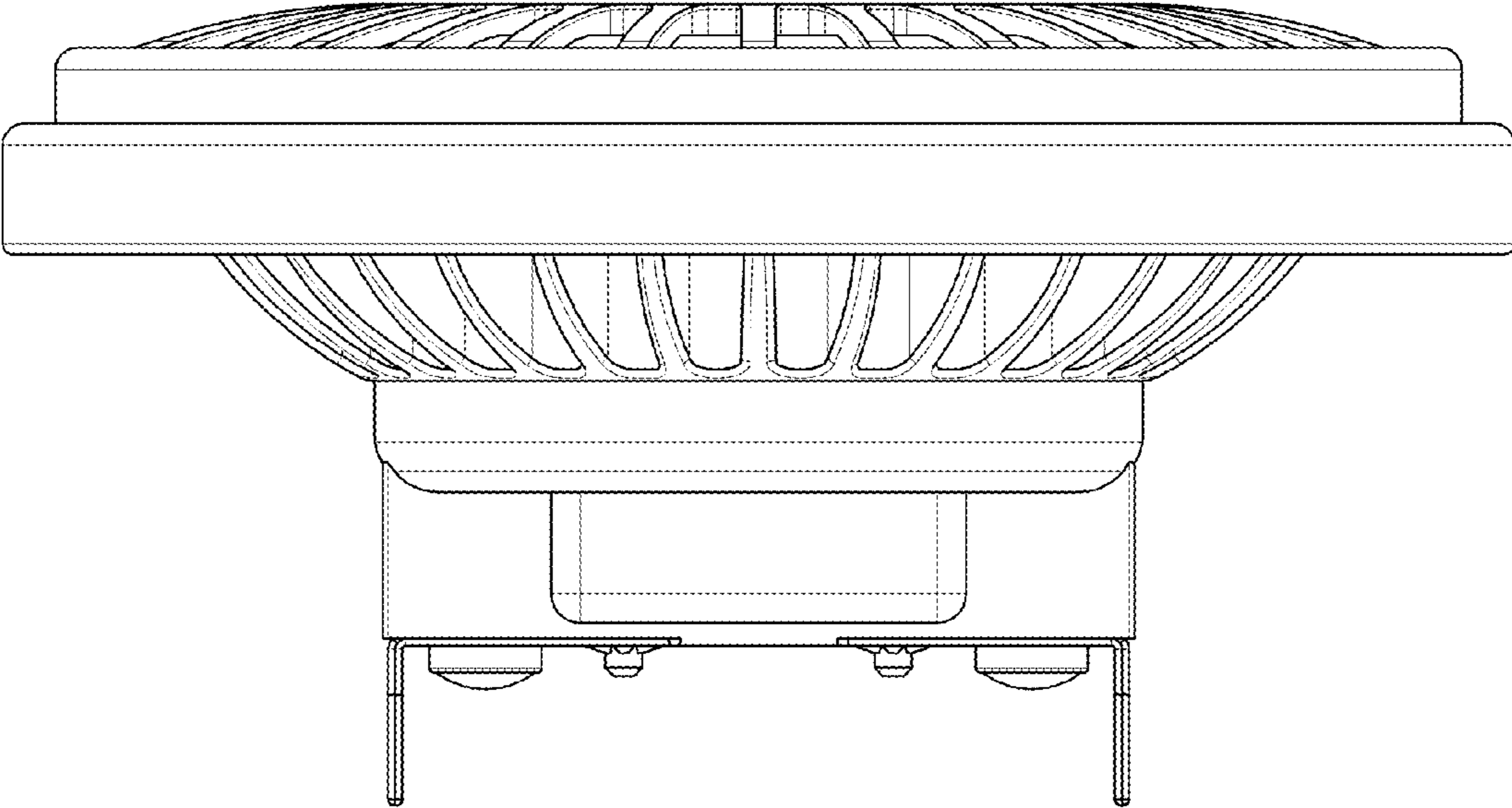
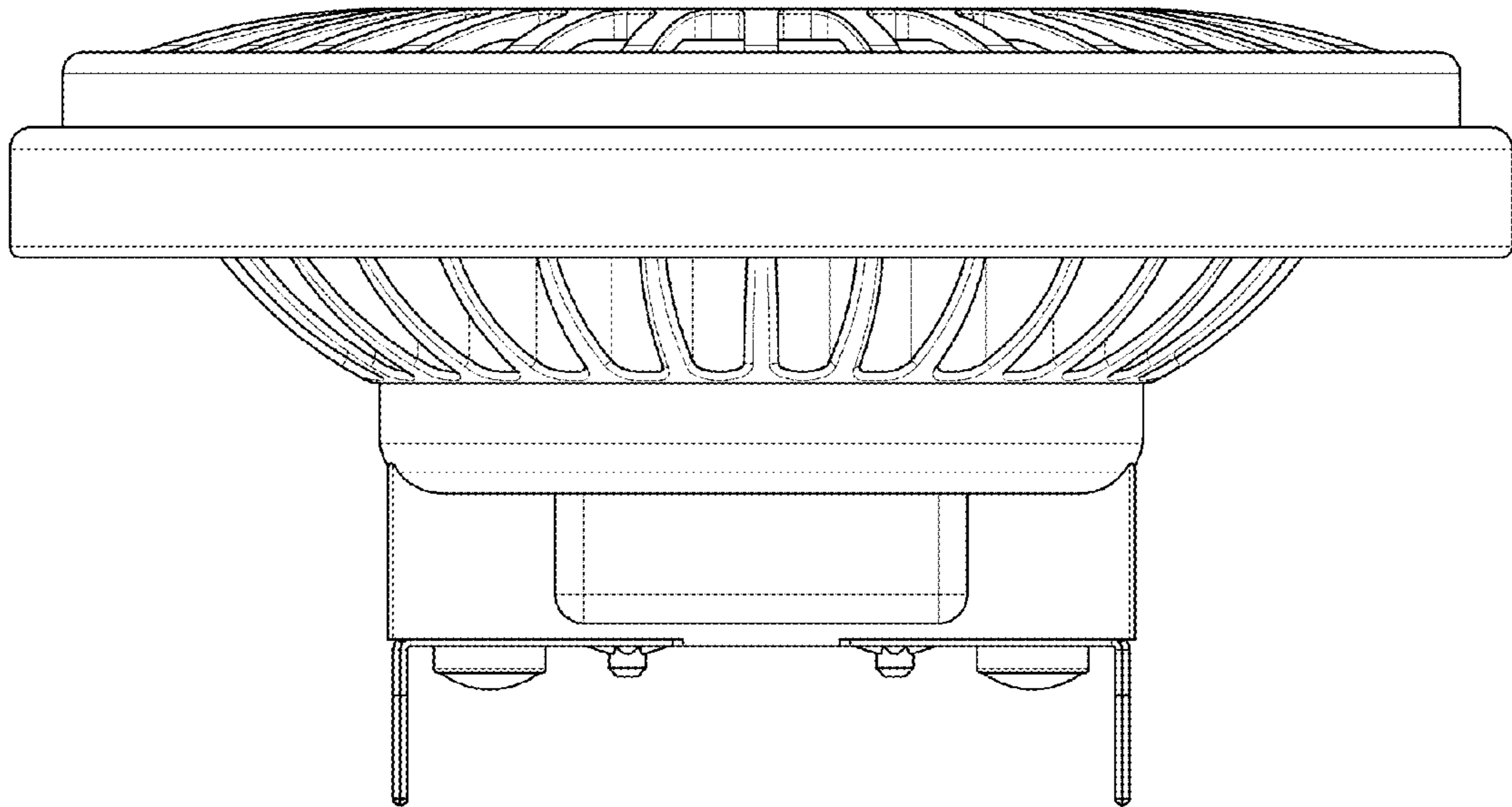
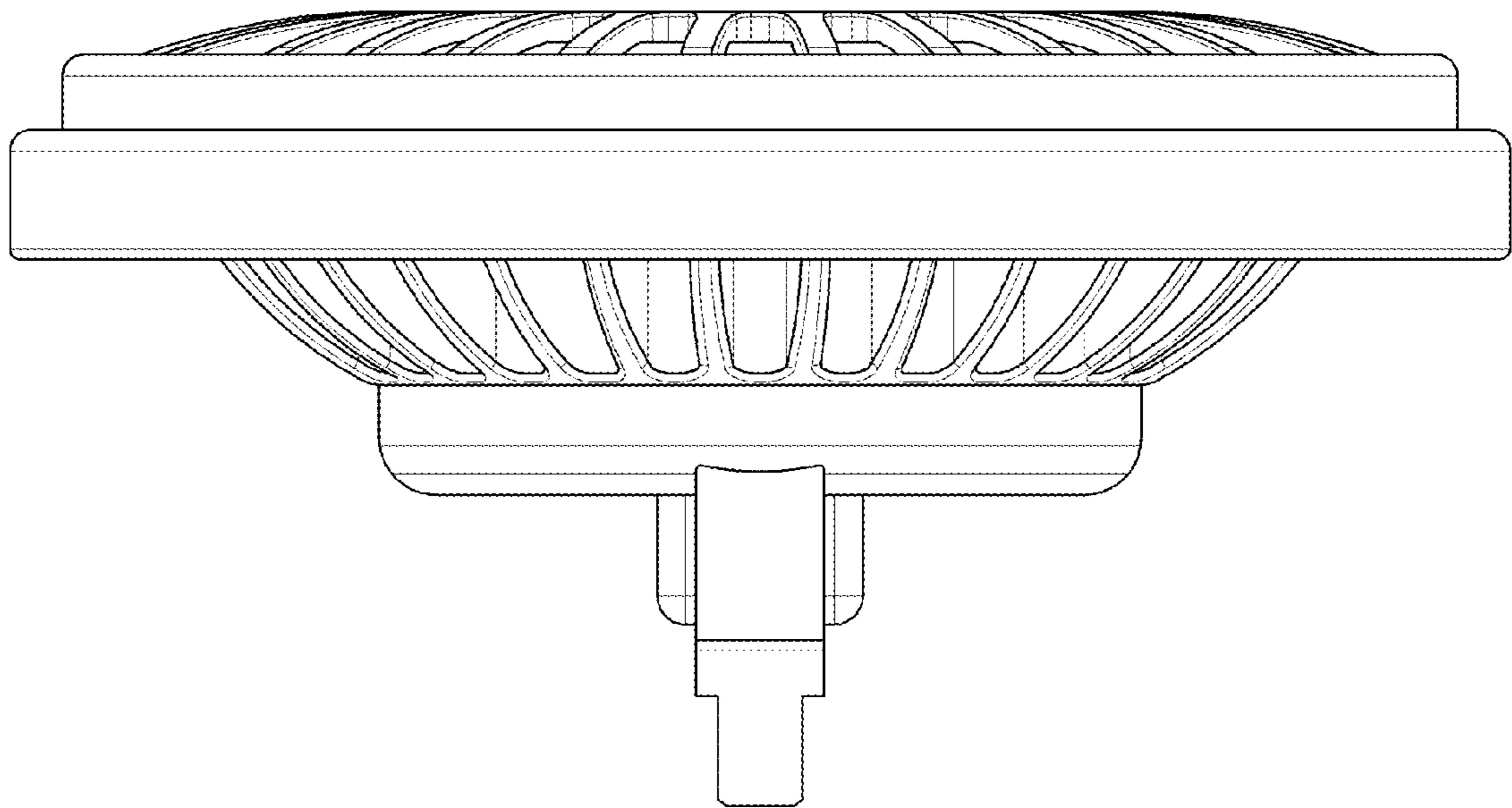


Fig. 2



**Fig. 3**



**Fig. 4**

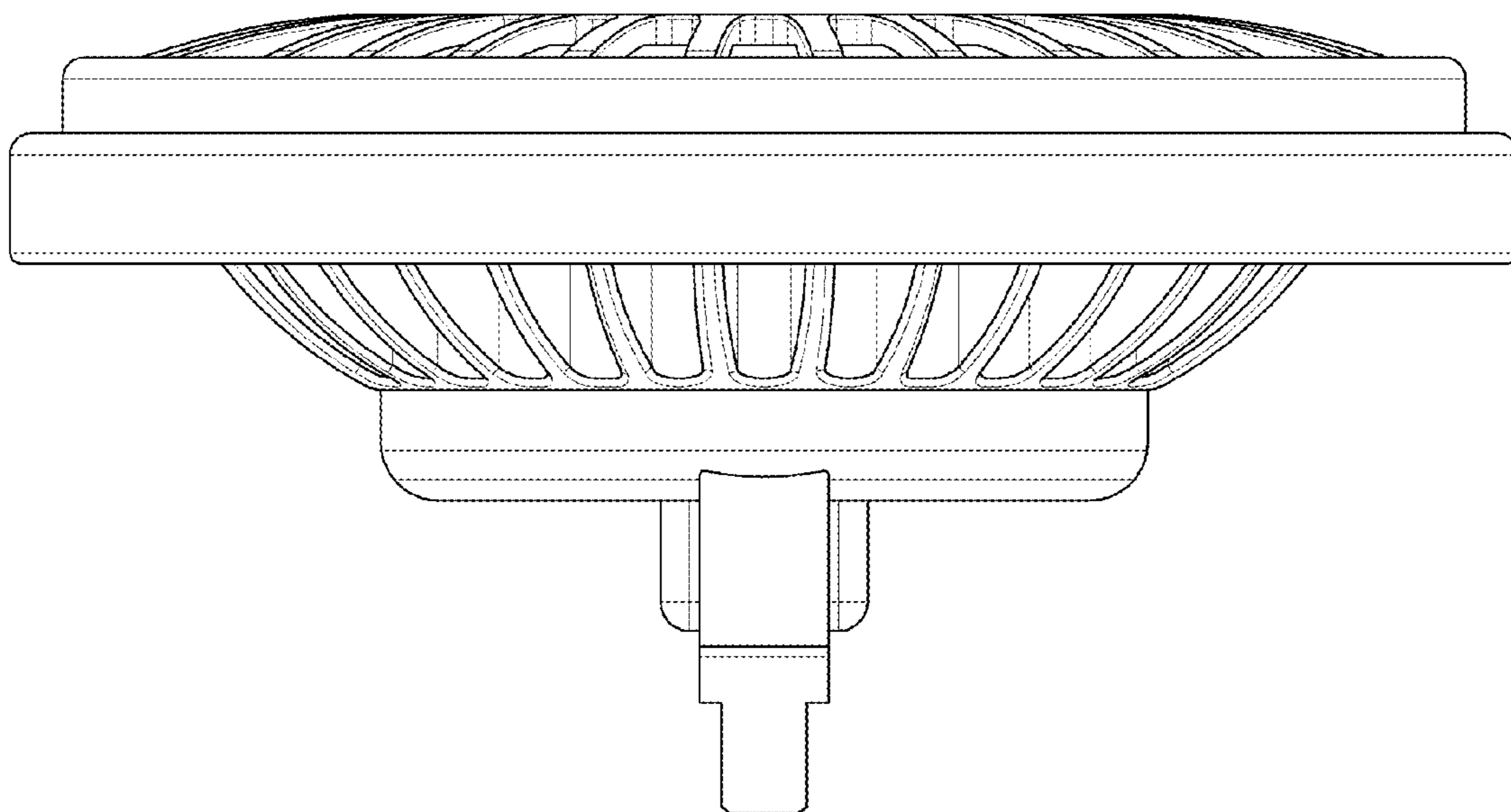


Fig. 5

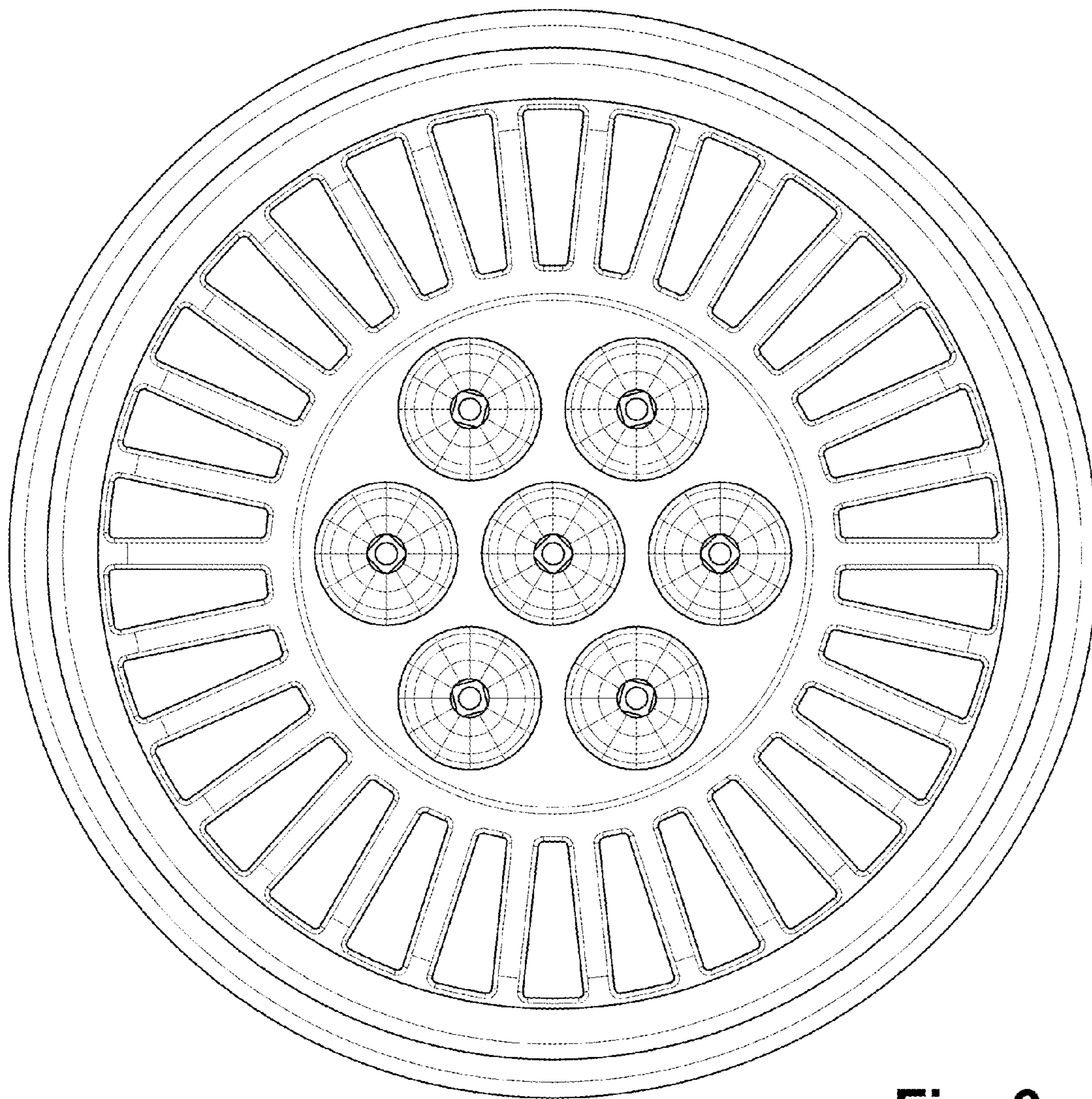


Fig. 6

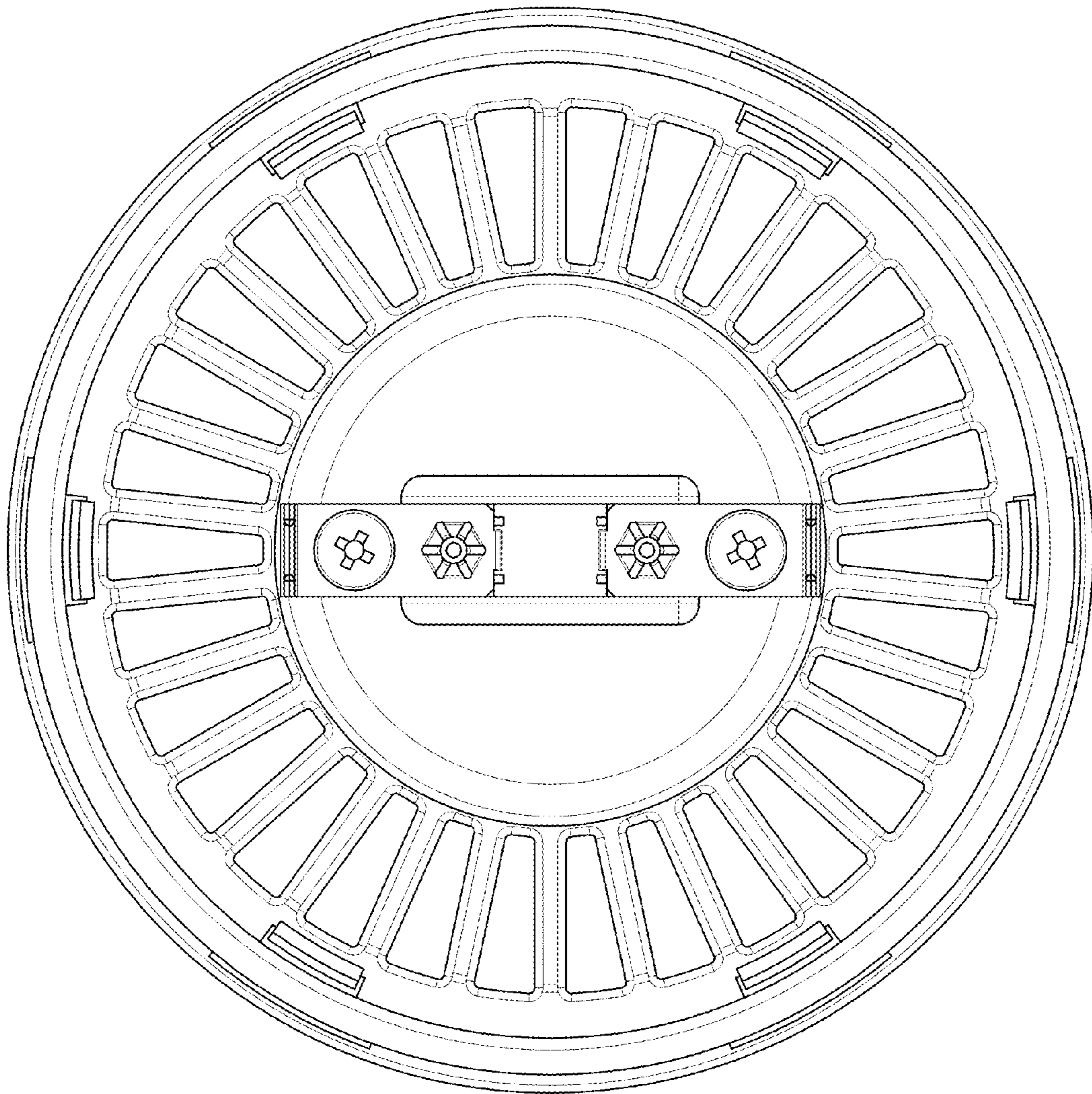


Fig. 7