



US00D688819S

(12) **United States Design Patent**
Shen et al.

(10) **Patent No.:** **US D688,819 S**

(45) **Date of Patent:** **** *Aug. 27, 2013**

(54) **LIGHT EMITTING DIODE**

D619,976 S * 7/2010 Liu et al. D13/180
D622,678 S 8/2010 Hsieh
D627,747 S 11/2010 Chu et al.

(75) Inventors: **Chien-Fu Shen**, Yunlin County (TW);
Tsun-Kai Ko, Tainan County (TW);
Schang-Jing Hon, Taichung (TW)

* cited by examiner

(73) Assignee: **Epistar Corporation**, Hsinchu (TW)

Primary Examiner — Marcus Jackson

(*) Notice: This patent is subject to a terminal disclaimer.

(74) *Attorney, Agent, or Firm* — Ditthavong Mori & Steiner, P.C.

(**) Term: **14 Years**

(57) **CLAIM**

The ornamental design for a light emitting diode, as shown and described.

(21) Appl. No.: **29/398,875**

DESCRIPTION

(22) Filed: **Aug. 5, 2011**

Related U.S. Application Data

(63) Continuation of application No. 29/367,759, filed on Aug. 12, 2010, now Pat. No. Des. 644,188.

FIG. 1 is a perspective view of the third embodiment showing the claimed design;

(51) **LOC (9) Cl.** **26-04**

FIG. 2 is a front elevational view of FIG. 1;

(52) **U.S. Cl.**

USPC **D26/1; D13/180**

FIG. 3 is a rear elevational view of FIG. 1;

(58) **Field of Classification Search**

USPC D26/1-4; D13/180; 257/79-81,
257/88-89, 98-100; 313/483, 498, 500;
362/800

FIG. 4 is a left side elevational view of FIG. 1;

FIG. 5 is a right side elevational view of FIG. 1;

FIG. 6 is a top plan view of FIG. 1;

FIG. 7 is a bottom plan view of FIG. 1;

FIG. 8 is a perspective view of the forth embodiment showing the claimed design;

FIG. 9 is a front elevational view of FIG. 8;

FIG. 10 is a rear elevational view of FIG. 8;

FIG. 11 is a left side elevational view of FIG. 8;

FIG. 12 is a right side elevational view of FIG. 8;

FIG. 13 is a top plan view of FIG. 8; and,

FIG. 14 is a bottom plan view of FIG. 8.

See application file for complete search history.

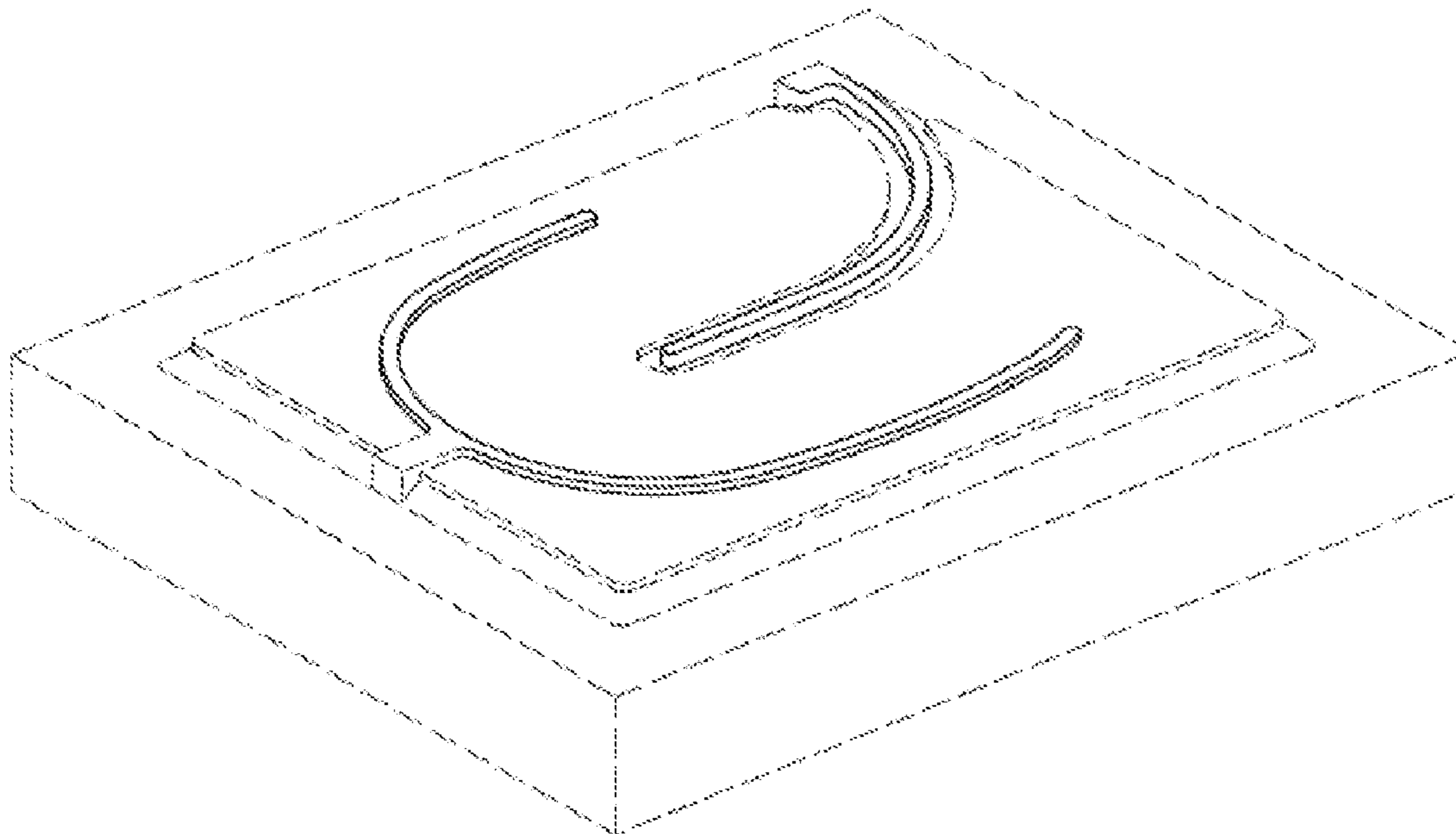
The broken lines are directed to environment and are provided for illustrative purpose only; the broken lines form no part of the claimed design.

(56) **References Cited**

U.S. PATENT DOCUMENTS

D494,288 S 8/2004 Matsui et al.
D515,517 S 2/2006 Matsui et al.
D559,802 S * 1/2008 Hsu et al. D13/180
D618,637 S 6/2010 Liu et al.

1 Claim, 8 Drawing Sheets



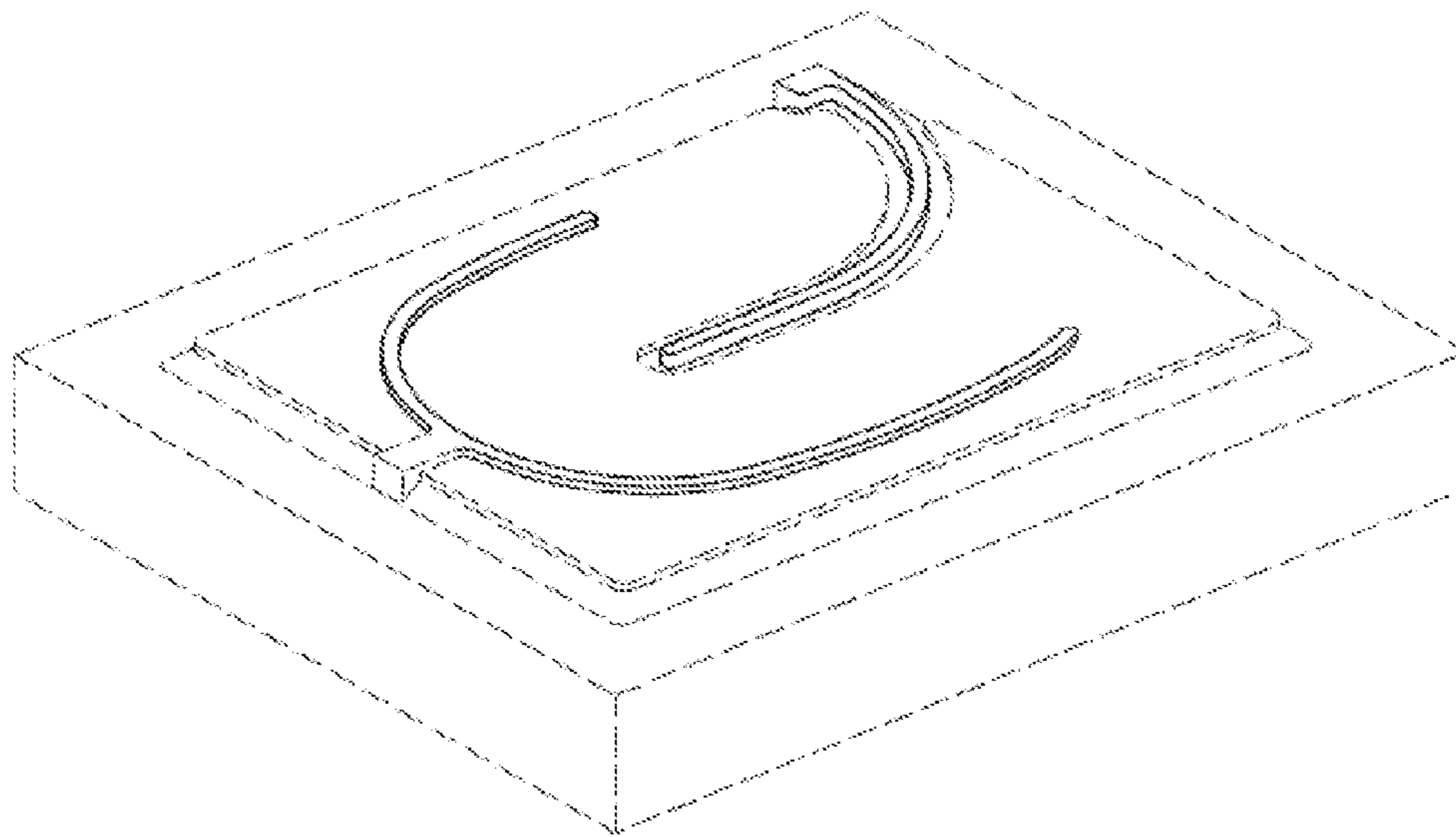


FIG. 1

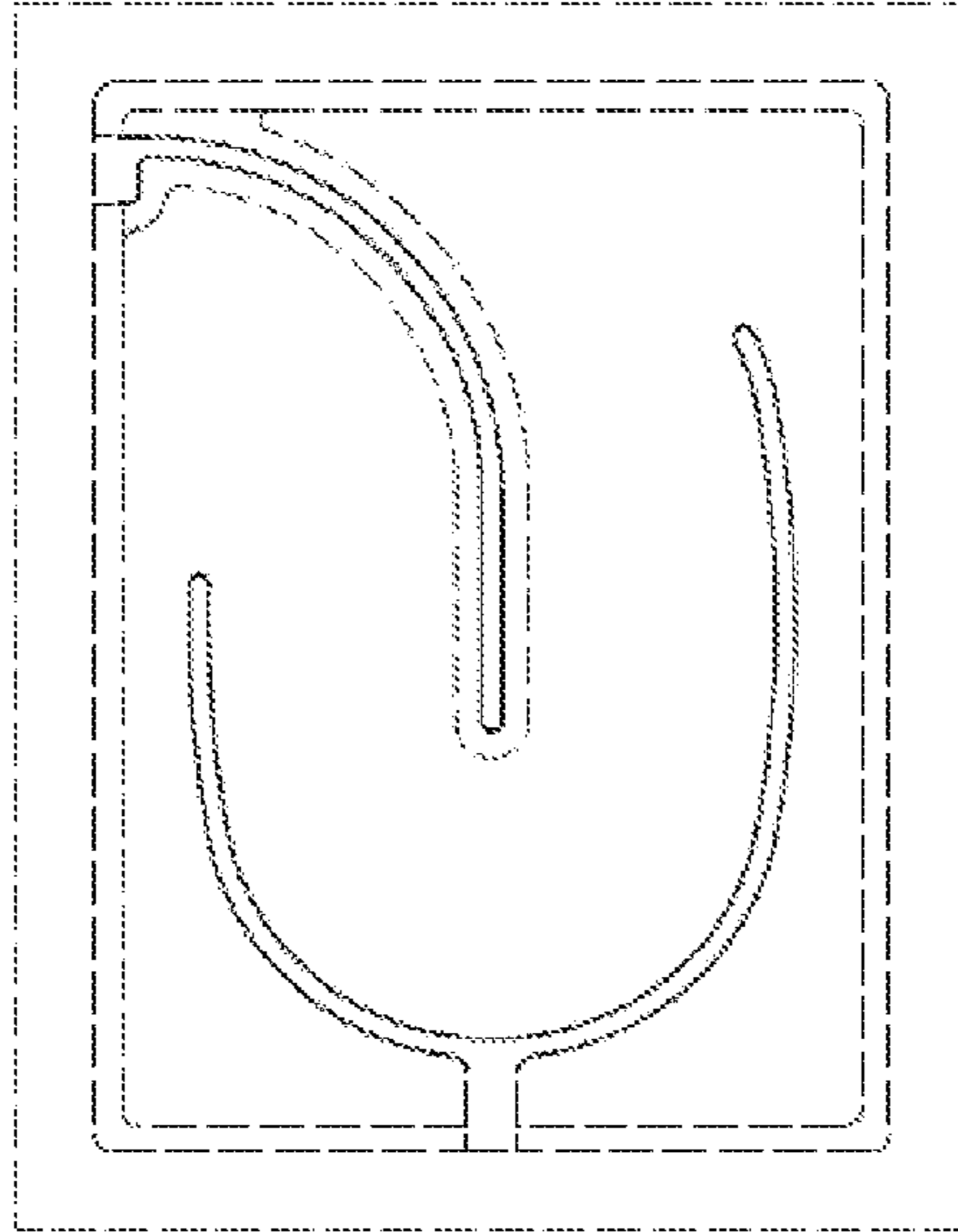


FIG. 2

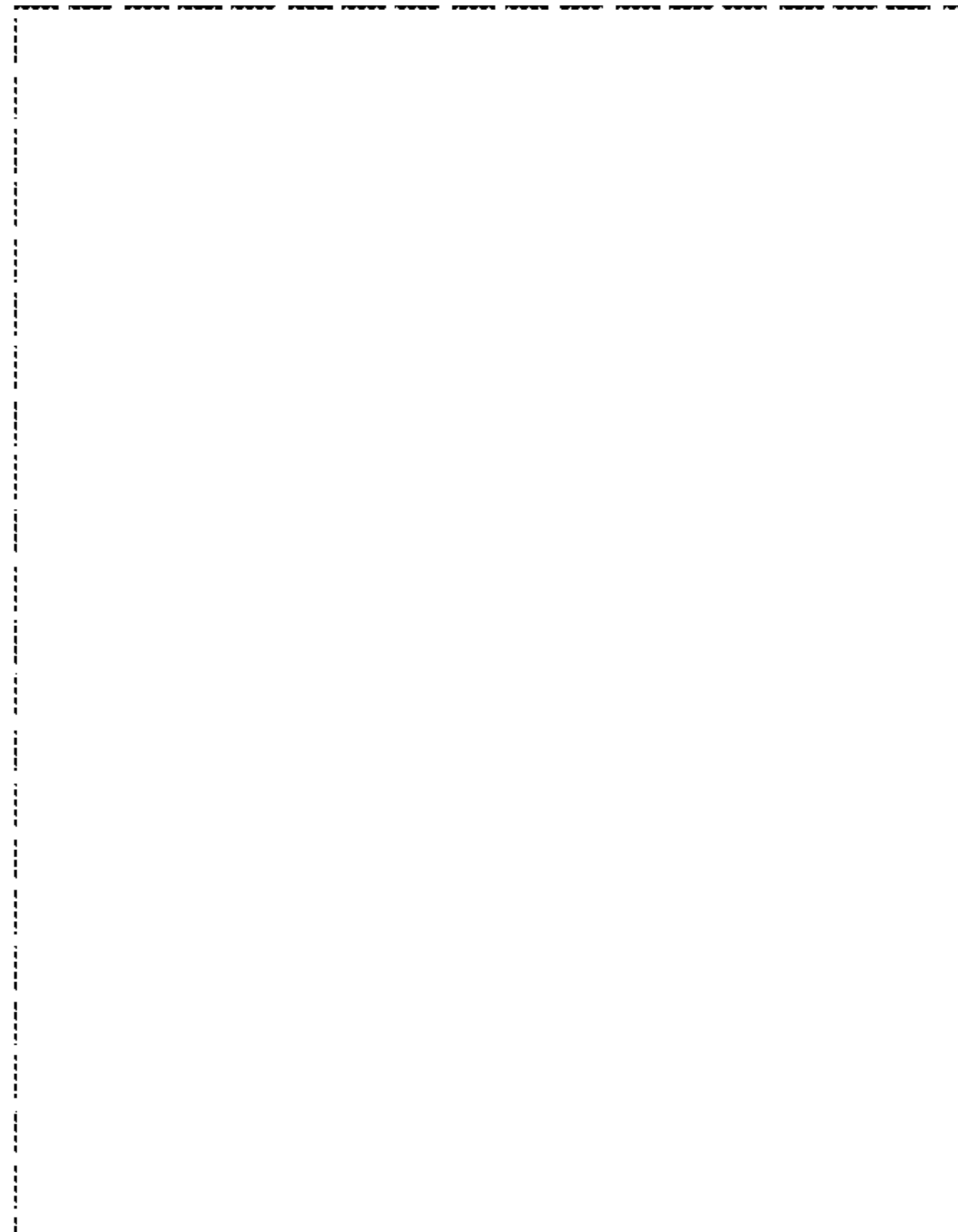


FIG. 3



FIG. 4



FIG. 5



FIG. 6

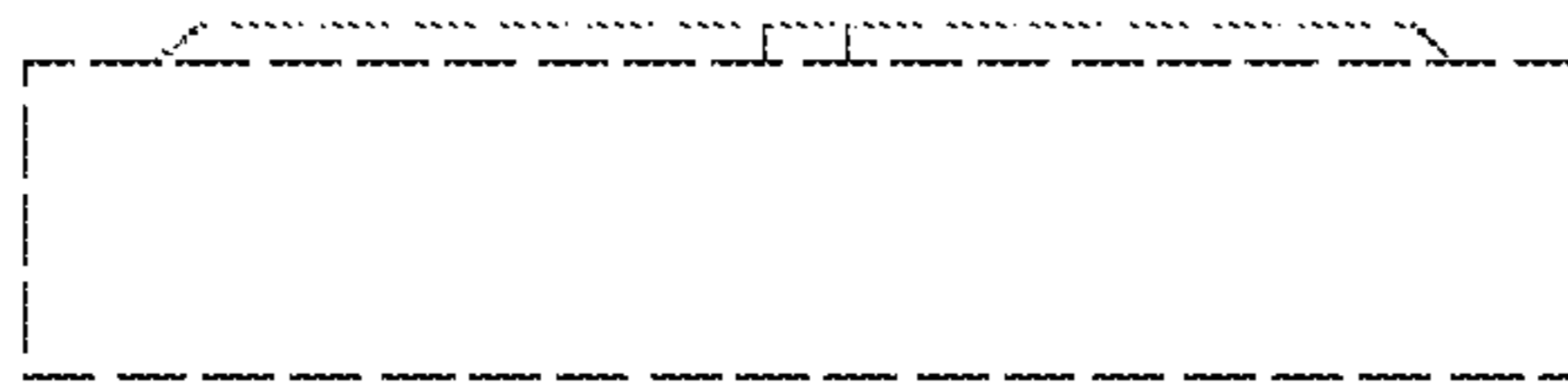


FIG. 7

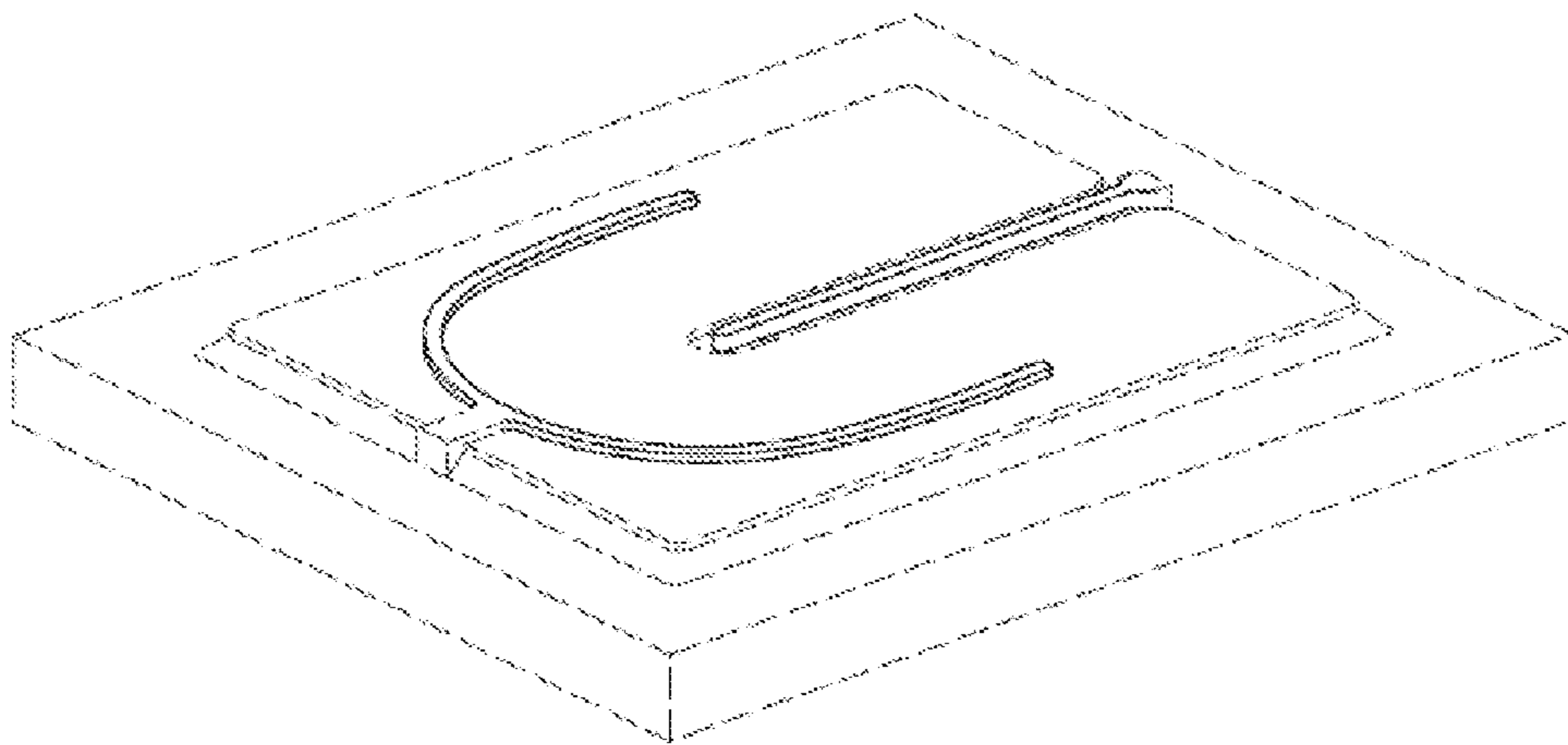


FIG. 8

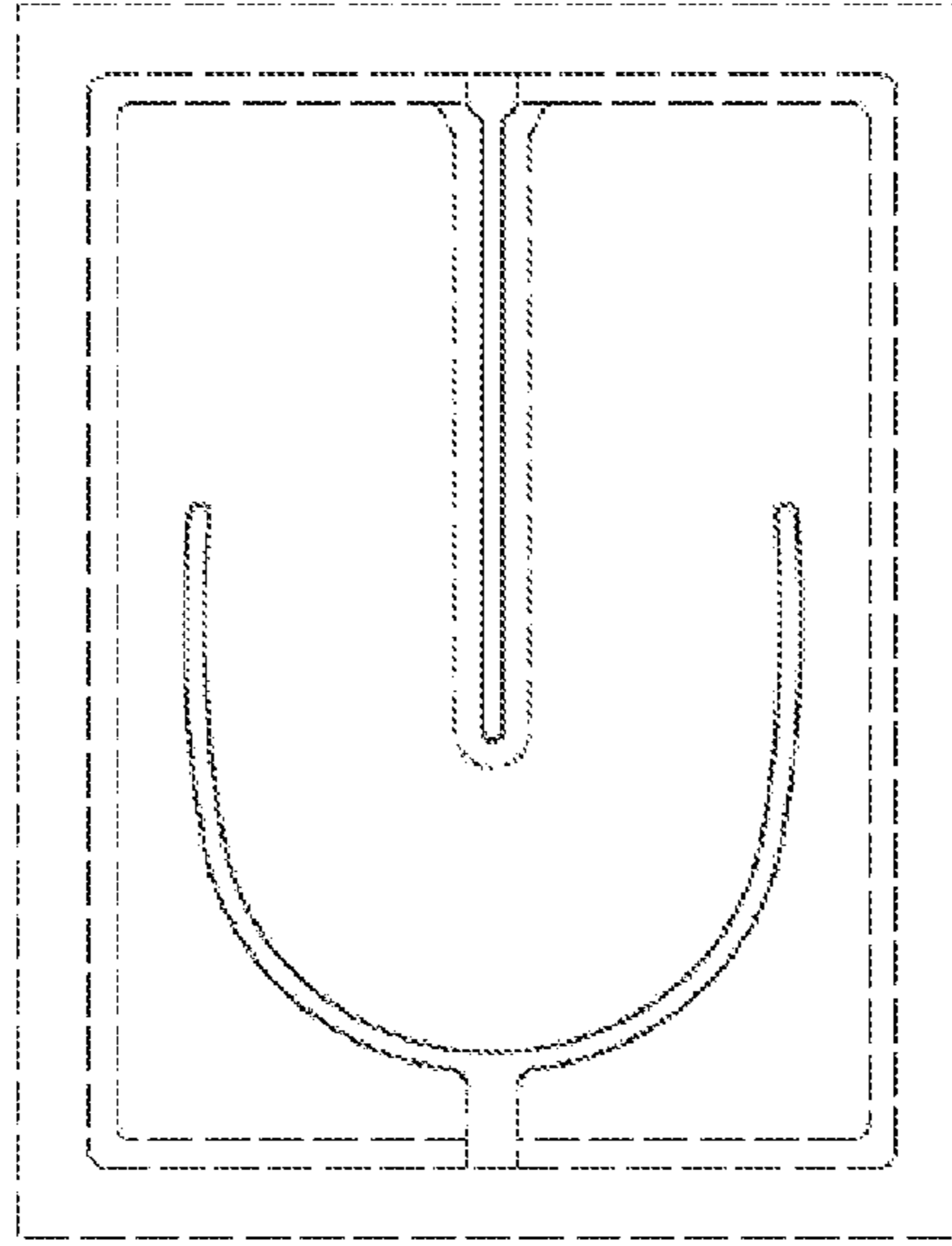


FIG. 9

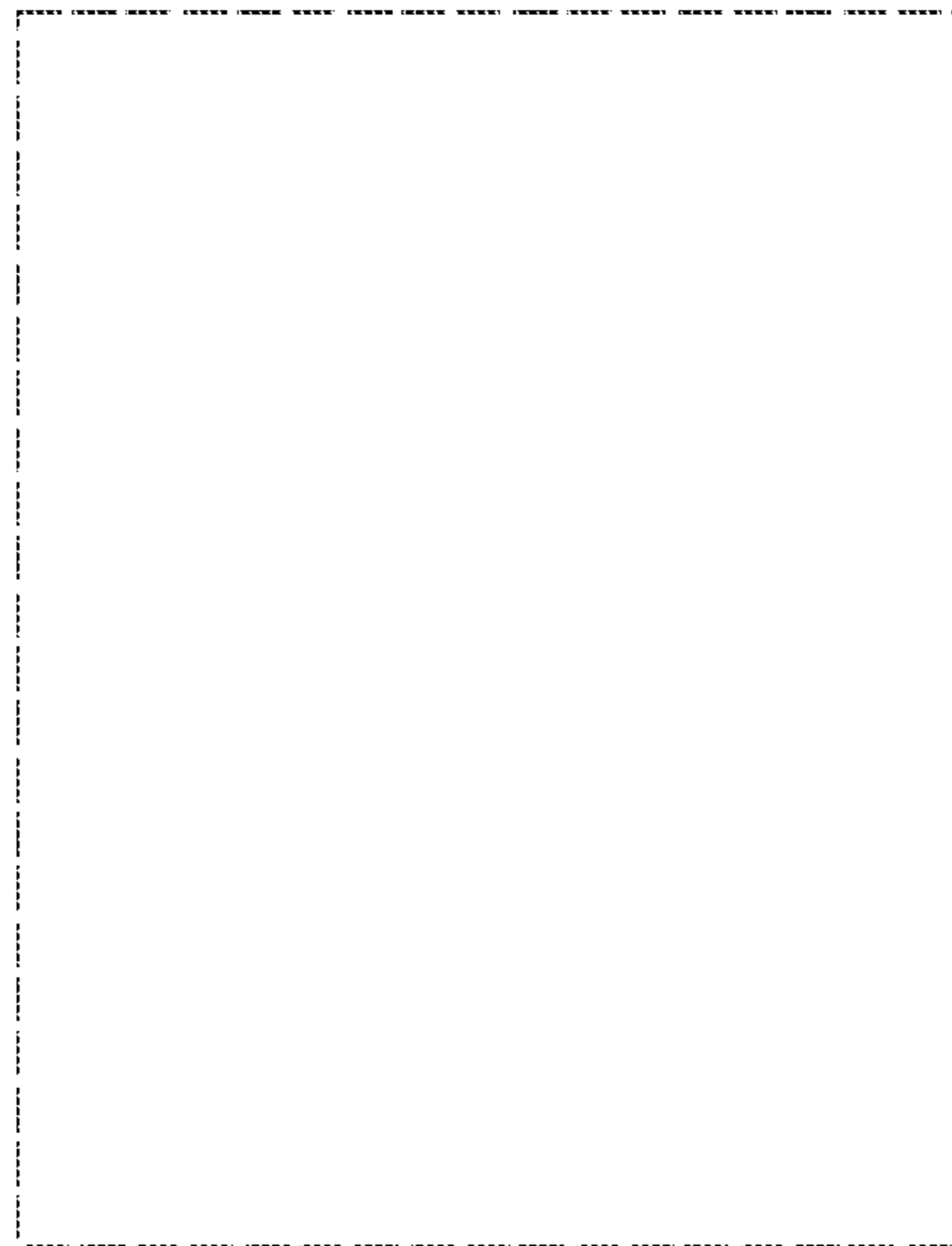


FIG. 10



FIG. 11



FIG. 12

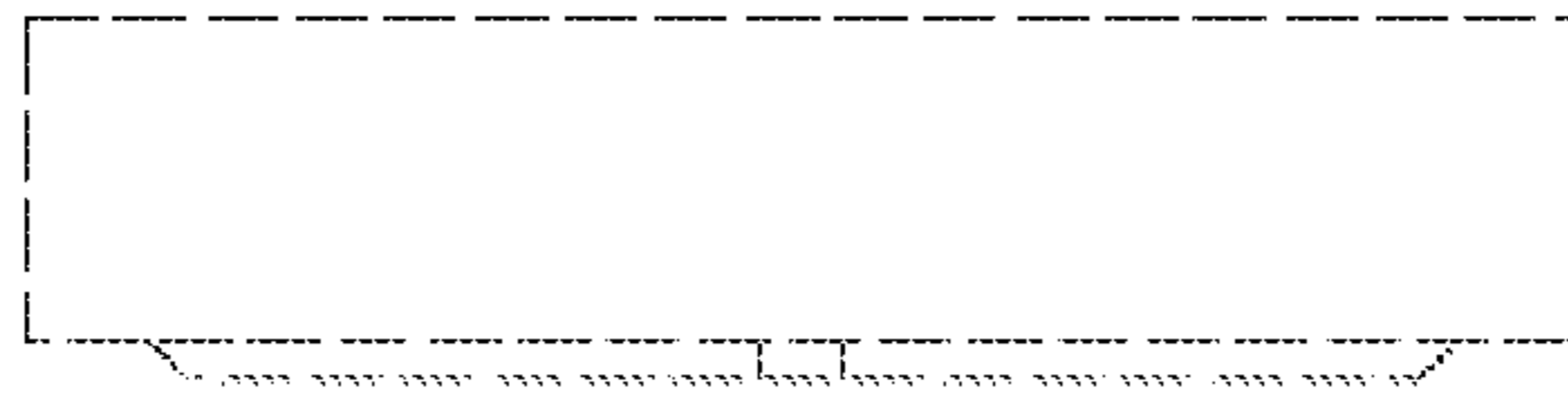


FIG. 13

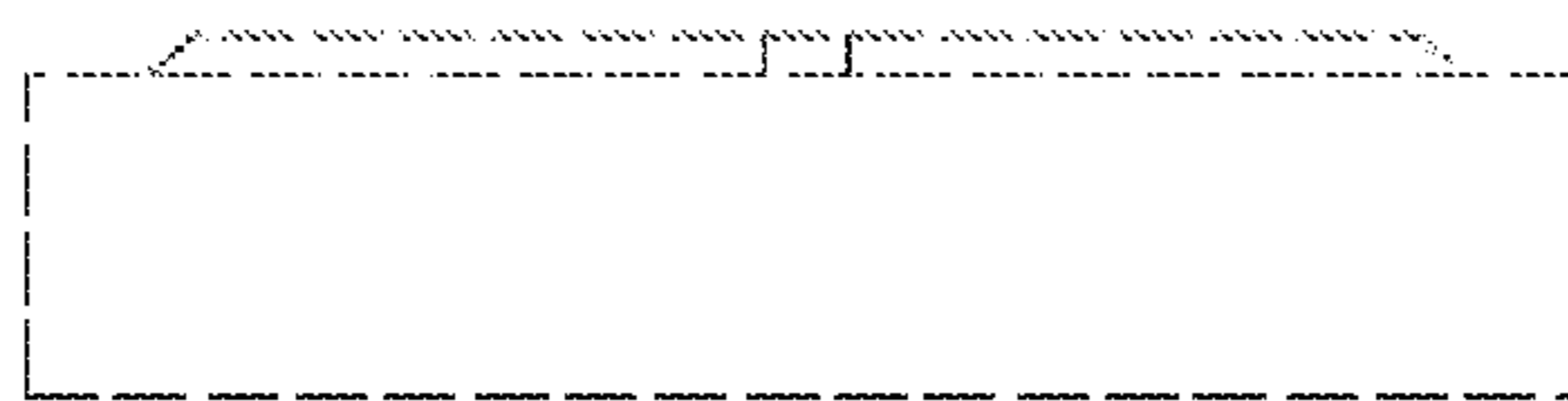


FIG. 14