



US00D688818S

(12) **United States Design Patent**
Martelli

(10) **Patent No.:** **US D688,818 S**

(45) **Date of Patent:** **** Aug. 27, 2013**

(54) **CONCRETE REINFORCING MESH**

(56) **References Cited**

(76) Inventor: **Charlie Martelli**, Rosewater (AU)

U.S. PATENT DOCUMENTS

(**) Term: **14 Years**

984,637 A *	2/1911	Alcan	52/388
4,888,928 A *	12/1989	Rea et al.	52/387
D491,287 S *	6/2004	Winig et al.	D25/155
7,587,865 B2 *	9/2009	Moller, Jr.	52/181

(21) Appl. No.: **29/418,665**

* cited by examiner

(22) Filed: **Apr. 19, 2012**

Primary Examiner — Doris Clark

(30) **Foreign Application Priority Data**

(74) *Attorney, Agent, or Firm* — Renner Kenner Greive
Bobak Taylor & Weber

Feb. 13, 2012 (AU) 10659/2012

(57) **CLAIM**

The ornamental design for a concrete reinforcing mesh, as shown and described.

(51) **LOC (9) Cl.** **25-01**

DESCRIPTION

(52) **U.S. Cl.**

USPC **D25/155**

FIG. 1 is a perspective view of a concrete reinforcing mesh showing my new design;

FIG. 2 is a top plan view thereof;

FIG. 3 is a side view thereof; and,

FIG. 4 is a front side elevational view thereof.

(58) **Field of Classification Search**

USPC D25/155; 52/388, 403.1, 673, 656.6,
52/676; 428/116, 117

See application file for complete search history.

1 Claim, 1 Drawing Sheet

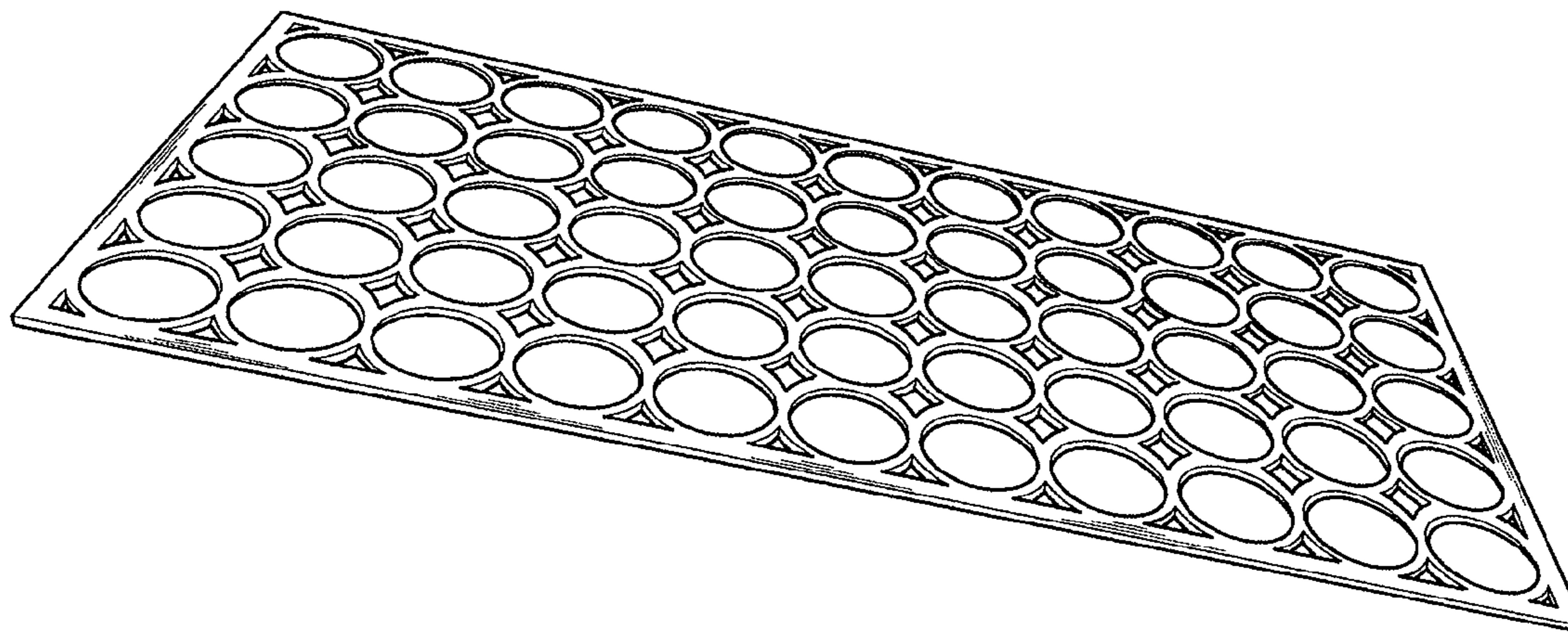




FIG. 4



FIG. 3

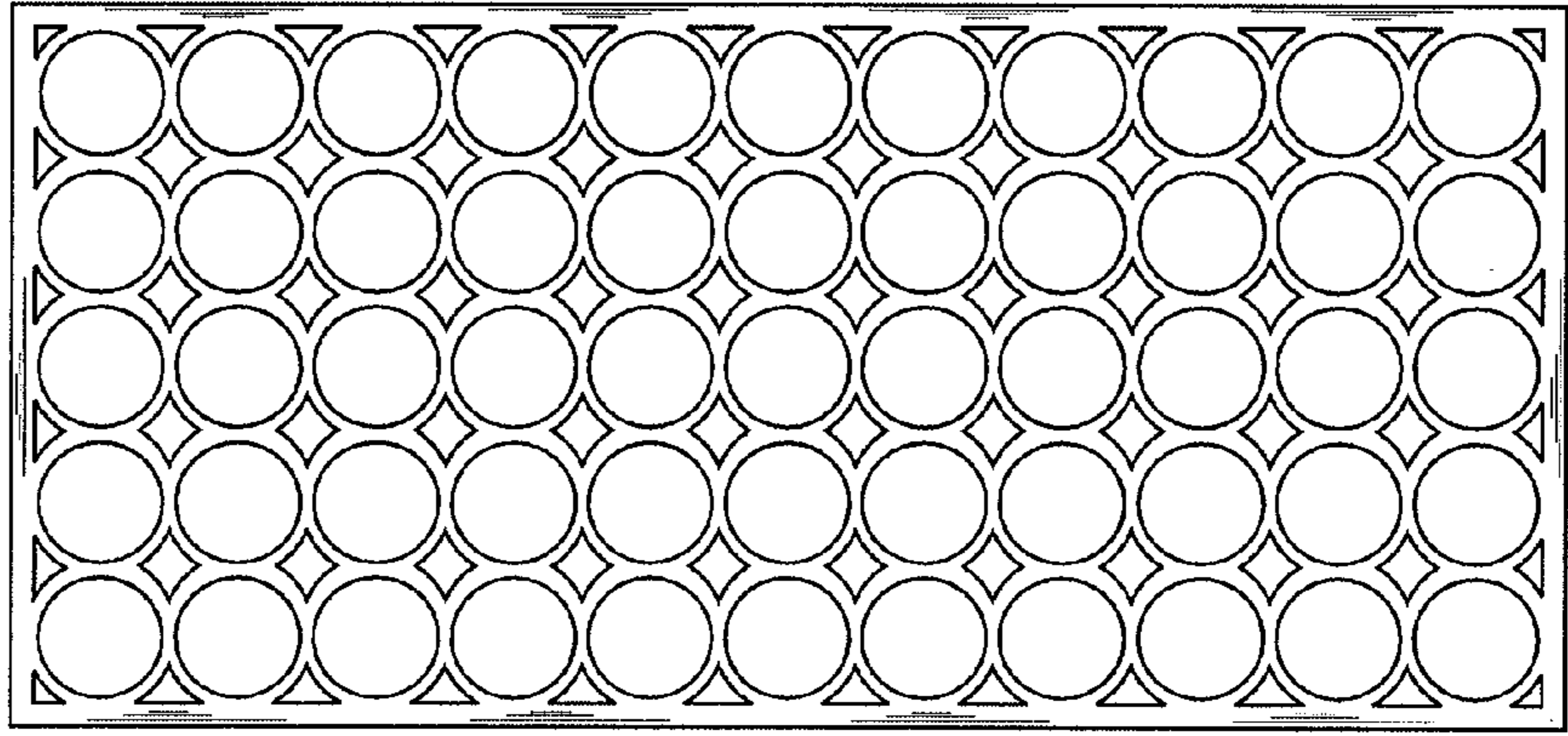


FIG. 2

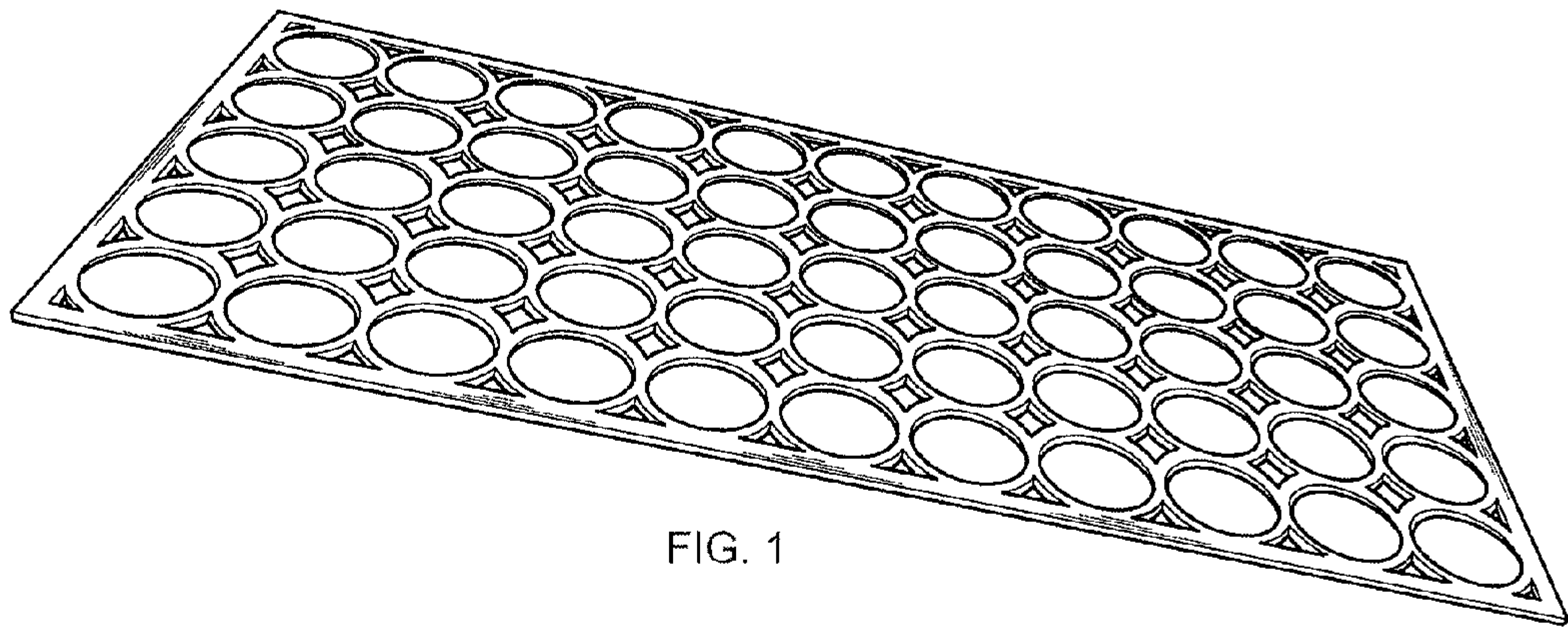


FIG. 1