



US00D688817S

(12) **United States Design Patent**
Smith et al.

(10) **Patent No.:** **US D688,817 S**
(45) **Date of Patent:** **** Aug. 27, 2013**

(54) **CHANNEL FLEX REVETMENT BLOCK**

(75) Inventors: **Lee A. Smith**, Houston, TX (US); **James R. DeShaw**, Huntsville, TX (US)

(73) Assignee: **Erosion Prevention Products, LLC**,
South Houston, TX (US)

(**) Term: **14 Years**

(21) Appl. No.: **29/395,956**

(22) Filed: **Apr. 27, 2012**

(51) **LOC (9) Cl.** **25-01**

(52) **U.S. Cl.**
USPC **D25/118**

(58) **Field of Classification Search**
USPC D25/102-118, 136, 138, 140, 151,
D25/152, 153, 156-162, 164; D21/484-491,
D21/499-504; 405/16, 284, 286, 17-20;
52/503-505, 574, 575, 596-612; 404/27-42
See application file for complete search history.

5,484,230 A	1/1996	Rudloff	
5,556,228 A	9/1996	Smith	
5,779,391 A	7/1998	Knight	
D399,577 S *	10/1998	Scales	D25/115
5,906,456 A	5/1999	Knight	
6,071,041 A	6/2000	Knight	
6,276,870 B1	8/2001	Smith	
D463,041 S *	9/2002	Dice et al.	D25/118
6,508,607 B1	1/2003	Smith	
D504,957 S *	5/2005	Dice et al.	D25/118
6,955,500 B1	10/2005	Smith	
7,037,037 B1	5/2006	Smith et al.	
D609,369 S *	2/2010	Buch	D25/113
8,123,434 B1	2/2012	Smith	
8,123,435 B1	2/2012	DeShaw et al.	

* cited by examiner

Primary Examiner — Anhdao Doan

(74) *Attorney, Agent, or Firm* — Roger N. Chauza, P.C.

(57) **CLAIM**

The ornamental design for a channel flex revetment block, substantially as shown and described.

DESCRIPTION

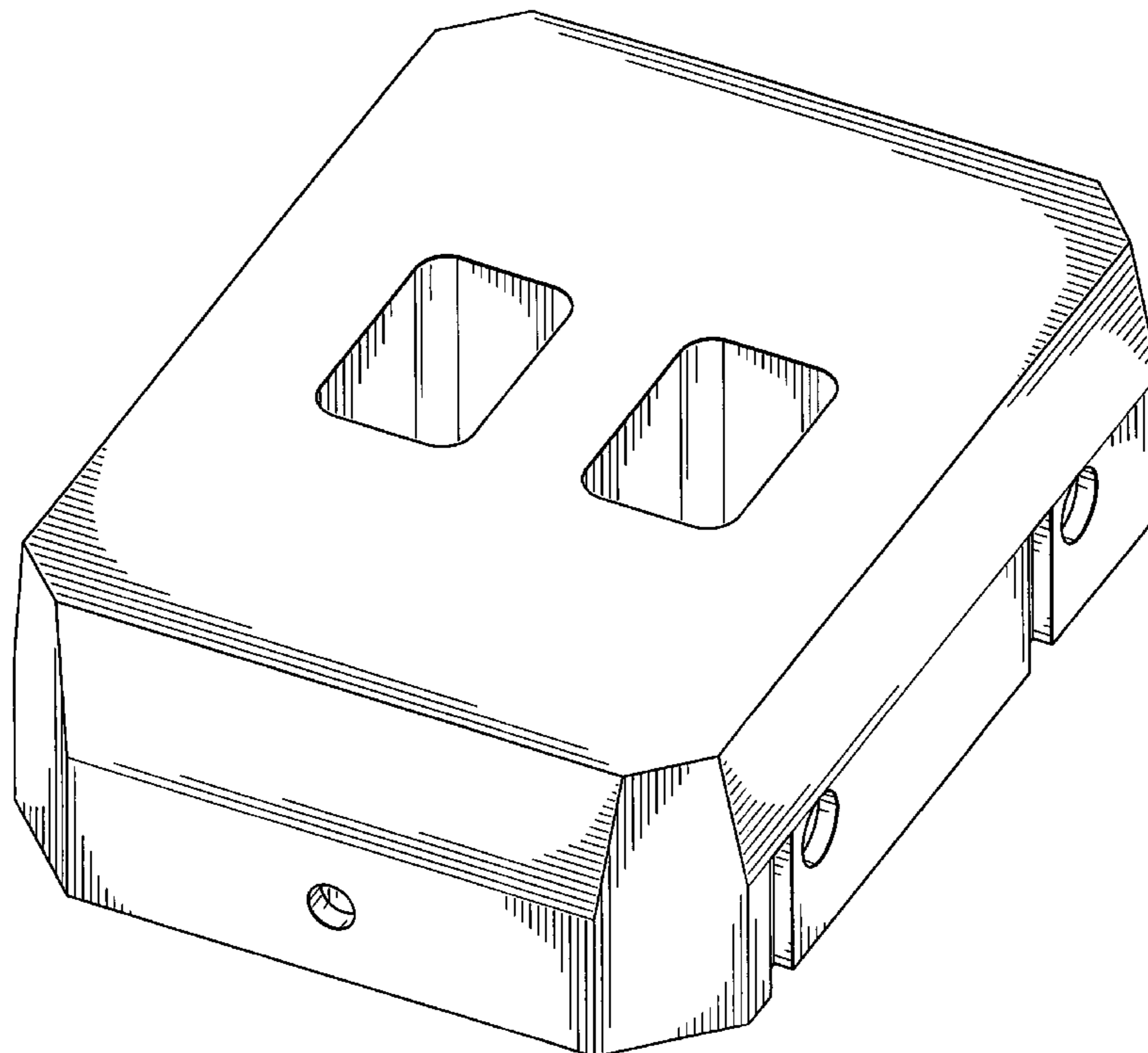
FIG. 1 is an isometric view of a channel flex revetment block; FIG. 2 is another isometric view thereof; FIG. 3 is a left elevational view thereof; FIG. 4 is a front elevational view thereof; FIG. 5 is a rear elevational view thereof; FIG. 6 is a right elevational view thereof; FIG. 7 is a top plan view thereof; and, FIG. 8 is a bottom plan view thereof.

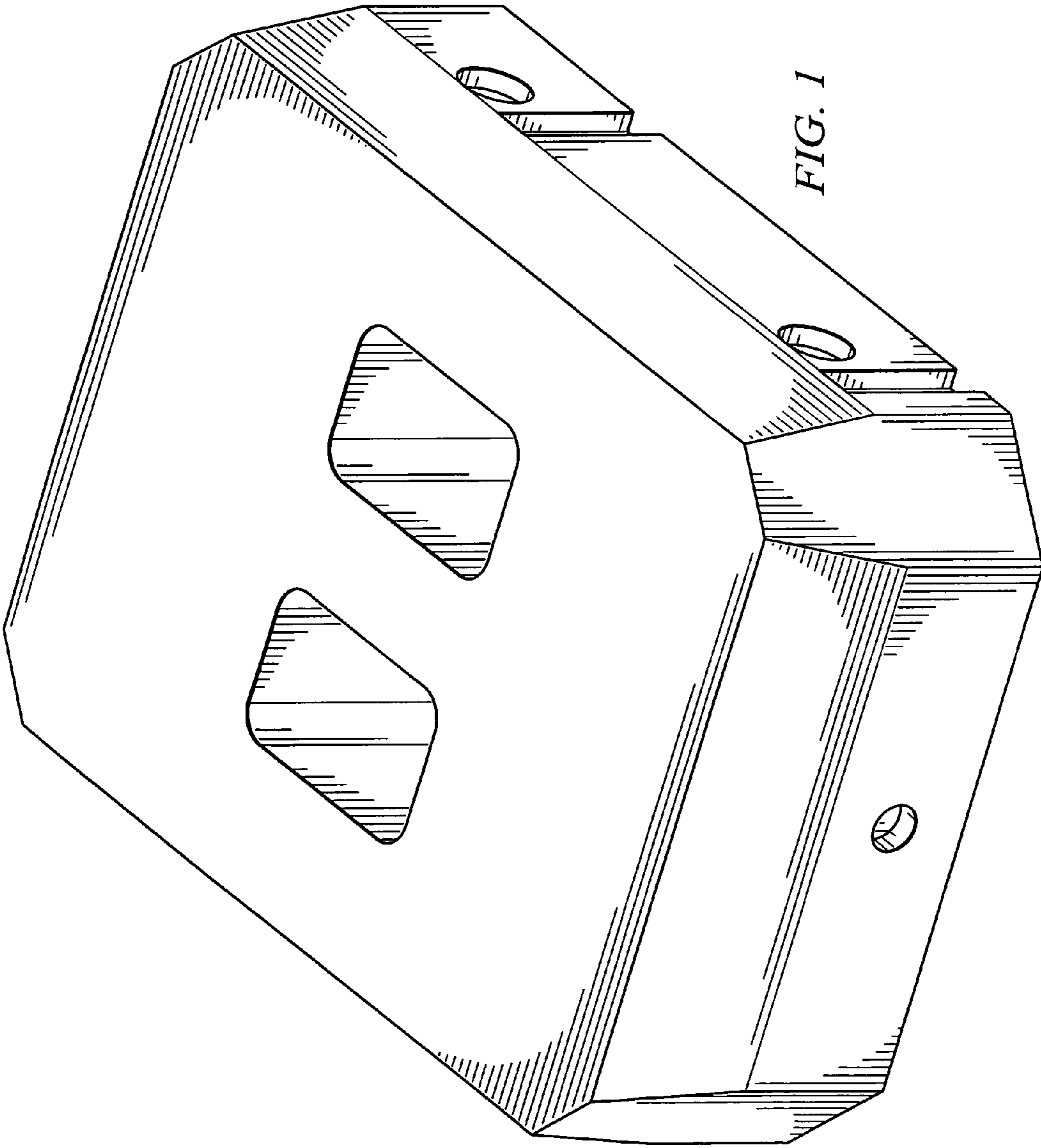
1 Claim, 4 Drawing Sheets

(56) **References Cited**

U.S. PATENT DOCUMENTS

4,227,829 A	10/1980	Landry, Jr.	
4,370,075 A	1/1983	Scales	
4,499,664 A	2/1985	Scales	
D284,514 S *	7/1986	McPoyle	D25/118
4,664,552 A	5/1987	Schaaf	
4,683,156 A	7/1987	Waters	
4,773,790 A	9/1988	Hagenah	
5,020,938 A	6/1991	Scales	





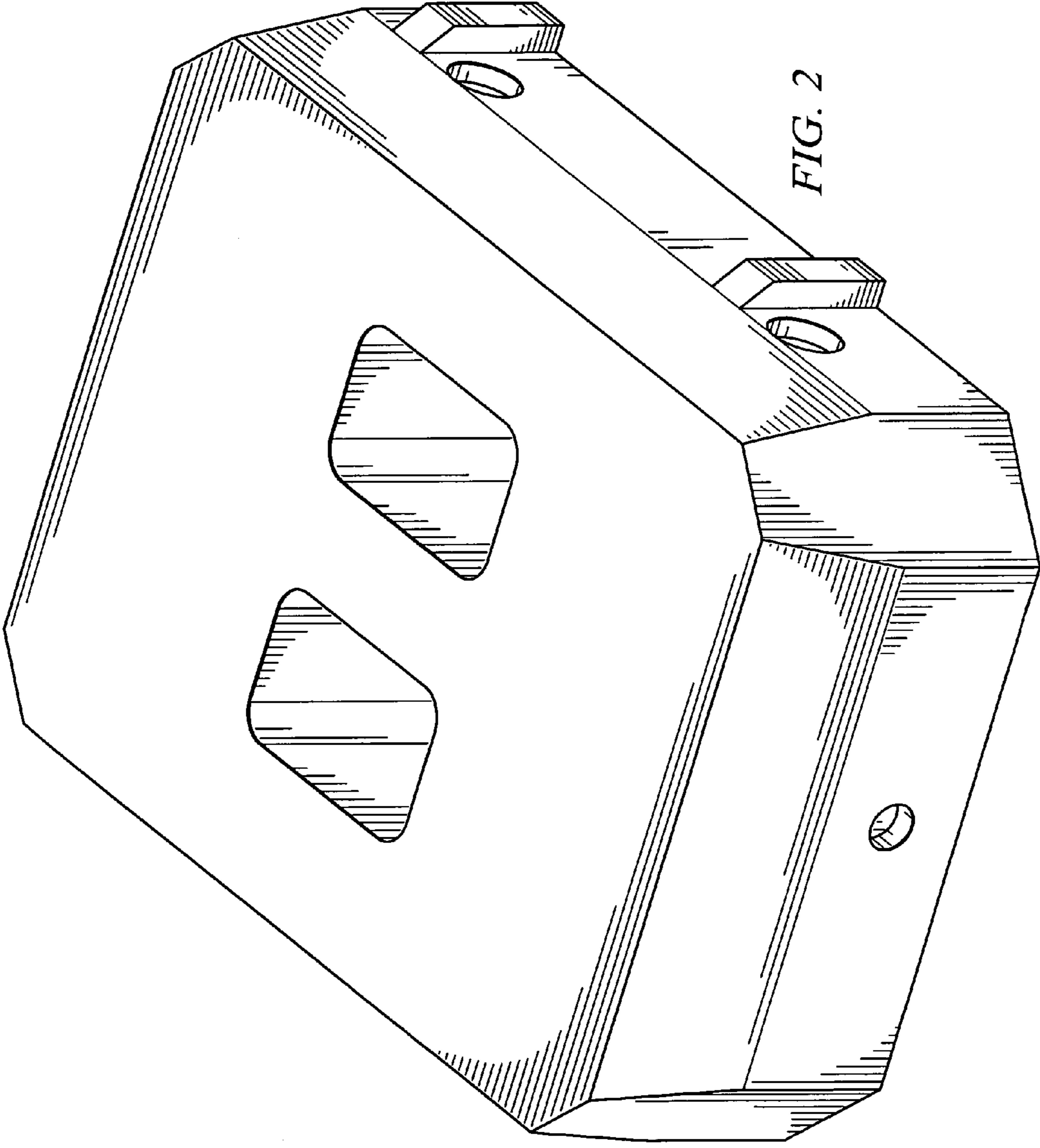


FIG. 2

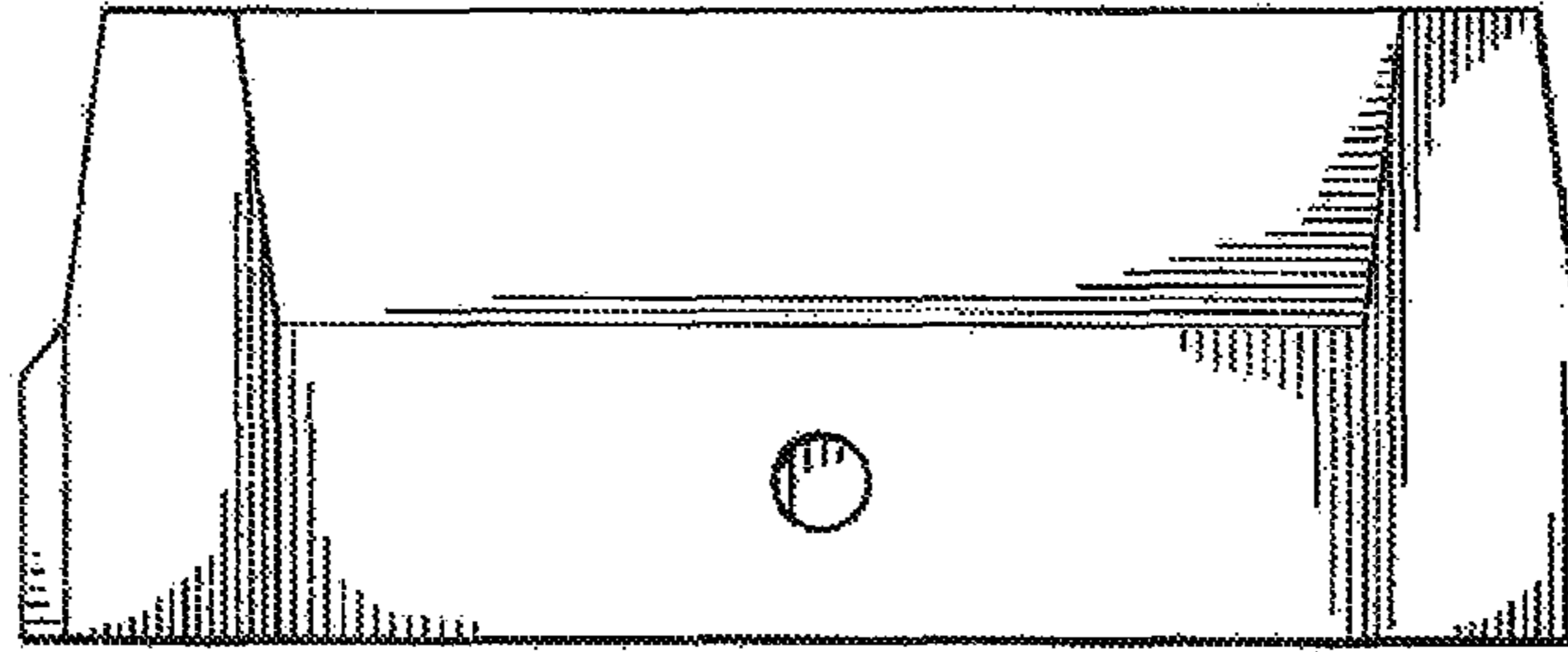


FIG. 3

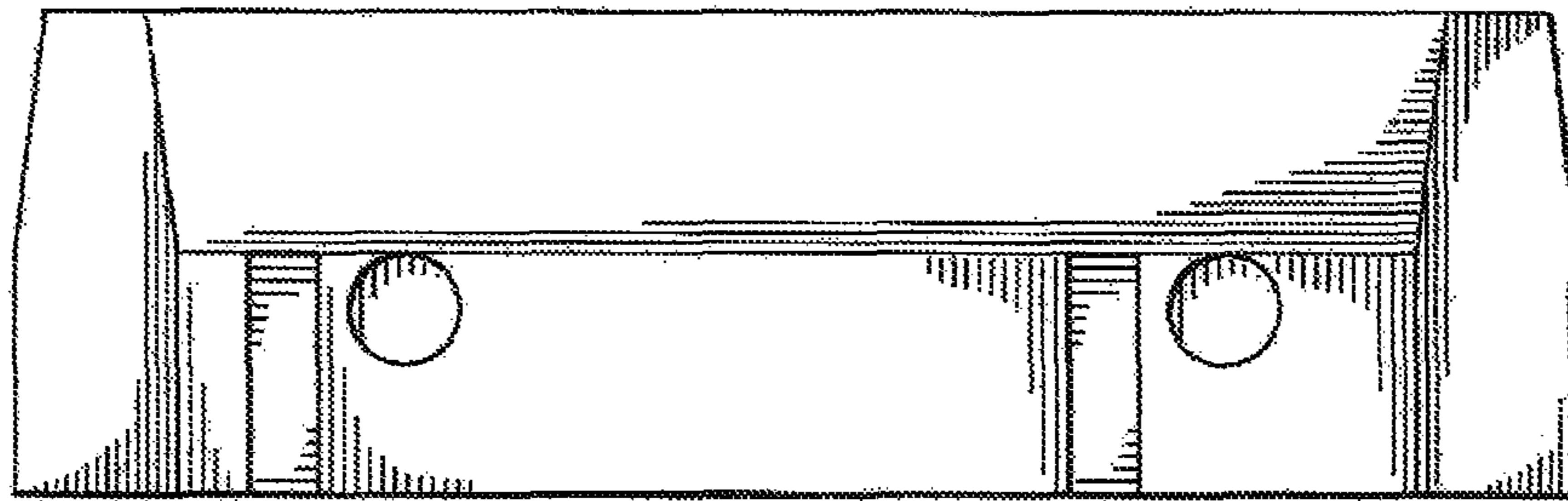


FIG. 4

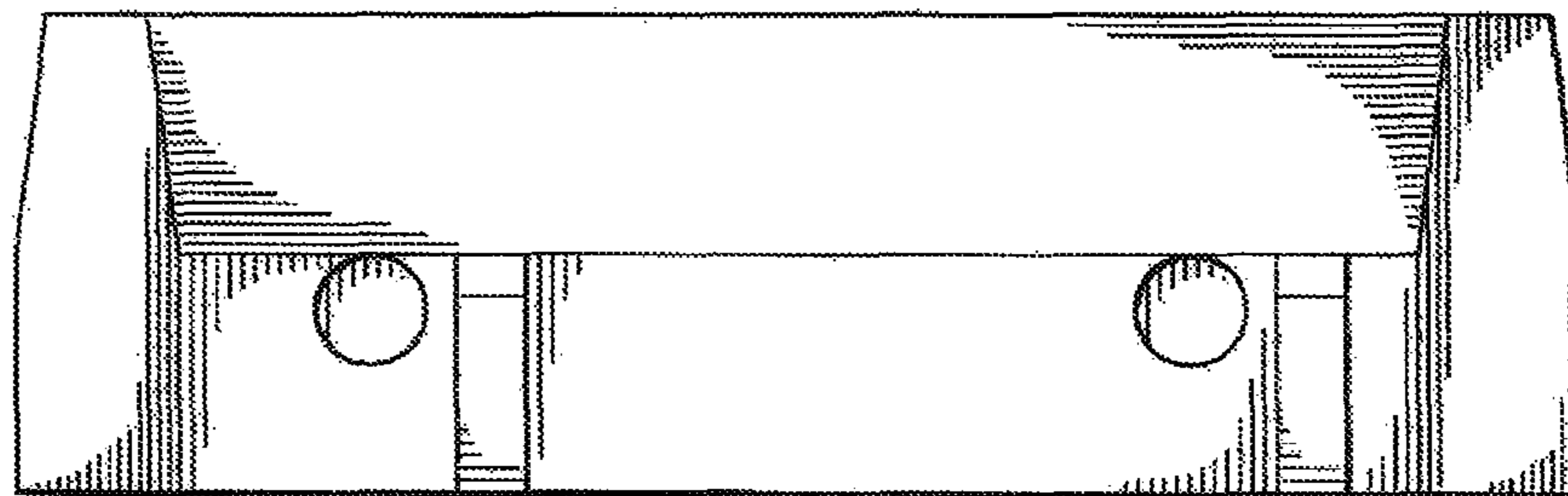


FIG. 5

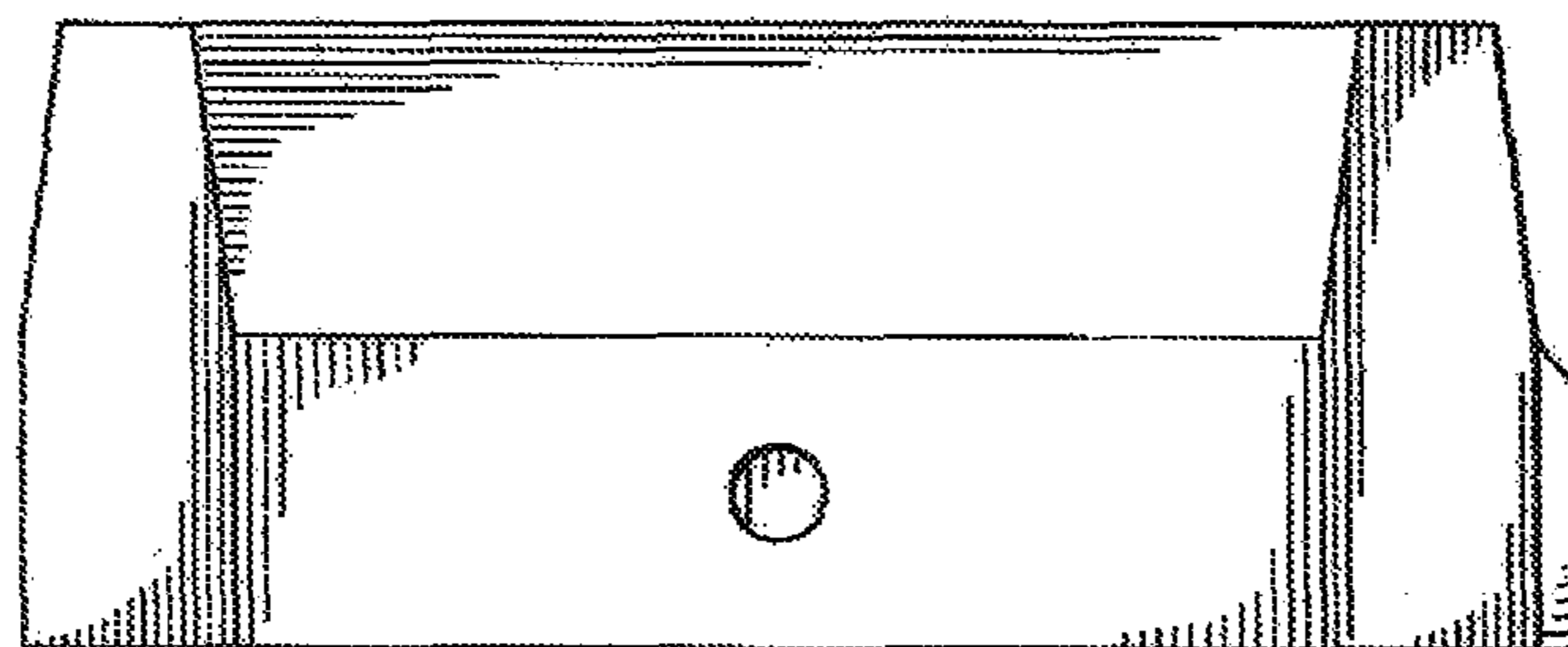


FIG. 6

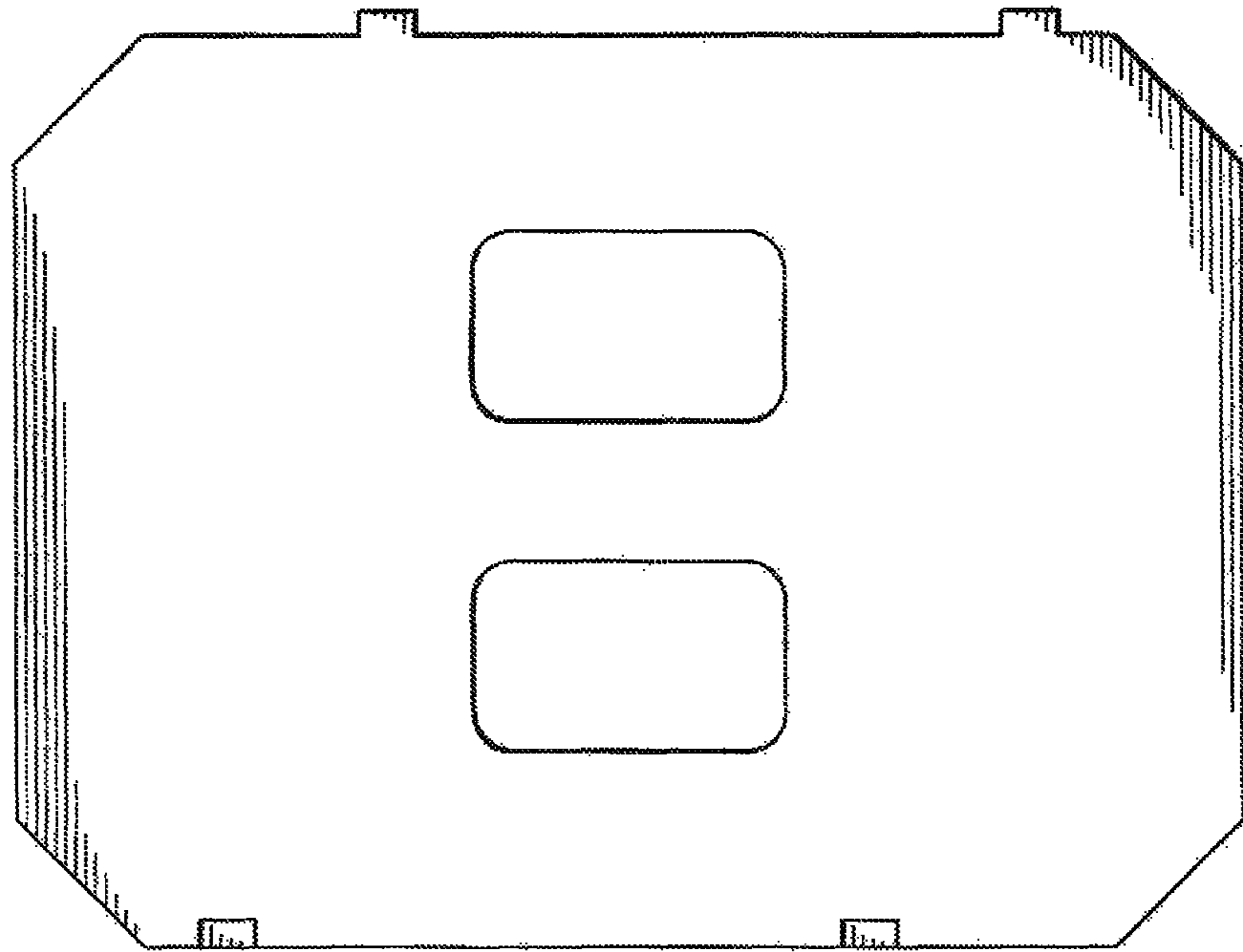


FIG. 8

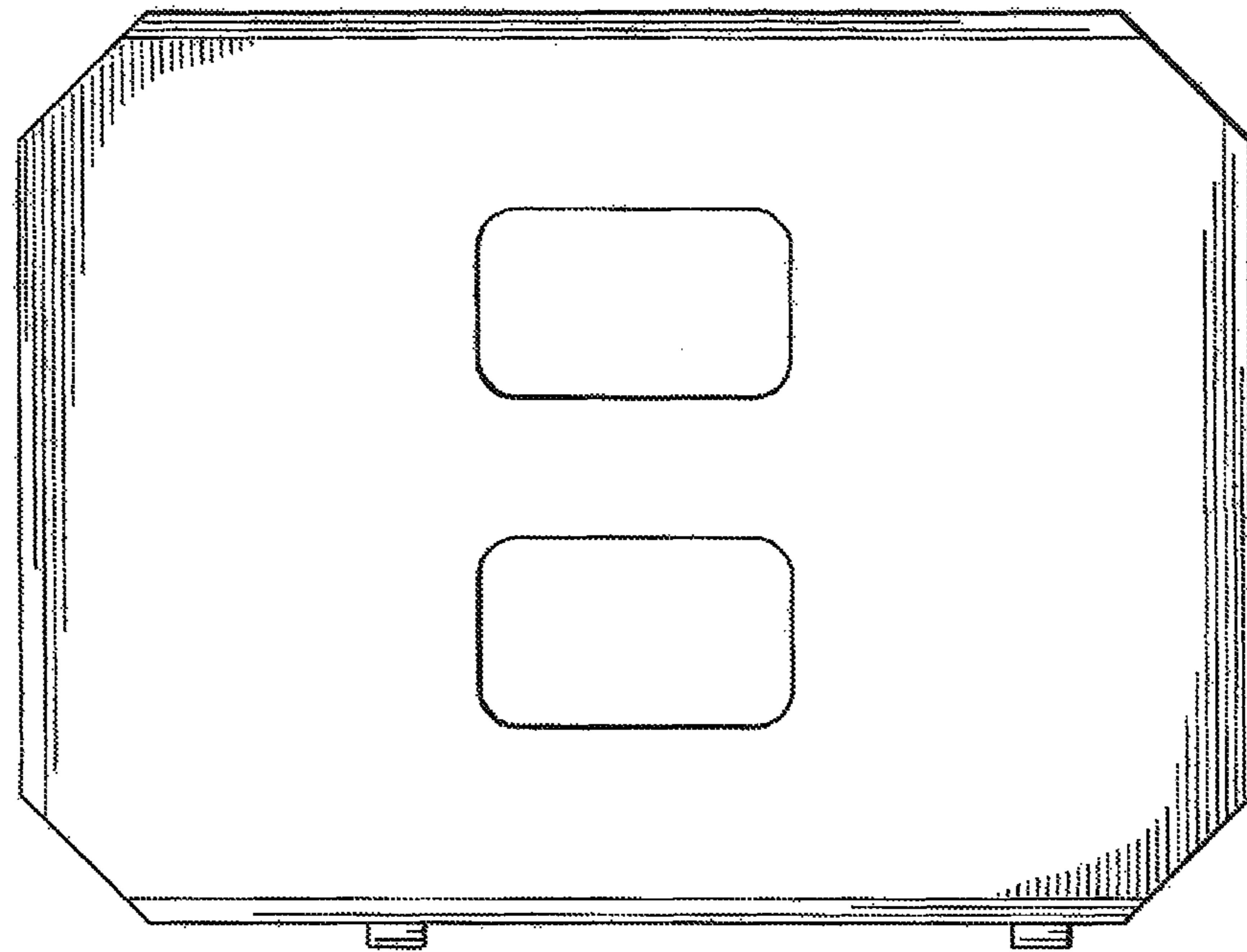


FIG. 7