



US00D688816S

(12) **United States Design Patent**
MacDonald

(10) **Patent No.:** **US D688,816 S**

(45) **Date of Patent:** **** Aug. 27, 2013**

- (54) **LANDSCAPING BLOCK**
- (75) Inventor: **Robert A. MacDonald**, Plymouth, MN (US)
- (73) Assignee: **Keystone Retaining Wall Systems LLC**, West Chester, OH (US)
- (**) Term: **14 Years**
- (21) Appl. No.: **29/418,689**
- (22) Filed: **Apr. 19, 2012**
- (51) **LOC (9) Cl.** **25-01**
- (52) **U.S. Cl.**
USPC **D25/114**
- (58) **Field of Classification Search**
USPC D25/102-118, 136, 138, 140, 151, D25/152, 153, 156-162, 164; D21/484-491, D21/499-504; 405/16, 284, 286; 52/503-505, 52/574, 575, 596-612; 404/27-42
See application file for complete search history.

- D381,086 S 7/1997 Forsberg
D384,168 S 9/1997 Stevenson
D387,434 S 12/1997 Dawson
5,707,184 A 1/1998 Anderson et al.
D397,230 S 8/1998 Forsberg
D397,451 S 8/1998 Stevenson
D397,808 S 9/1998 Dawson
5,865,006 A 2/1999 Dawson
5,913,790 A 6/1999 Dawson
5,941,042 A 8/1999 Dueck
5,984,589 A 11/1999 Ciccarello
6,019,550 A 2/2000 Wrigley et al.
6,035,599 A 3/2000 Sonnentag
D430,308 S 8/2000 Dawson
D433,158 S 10/2000 Hammer
6,149,352 A 11/2000 MacDonald
D439,678 S 3/2001 Blomquist et al.

(Continued)

Primary Examiner — Anhdao Doan

(74) *Attorney, Agent, or Firm* — Popovich, Wiles & O'Connell, P.A.

(57) **CLAIM**

The ornamental design for a landscaping block, as shown and described.

(56) **References Cited**

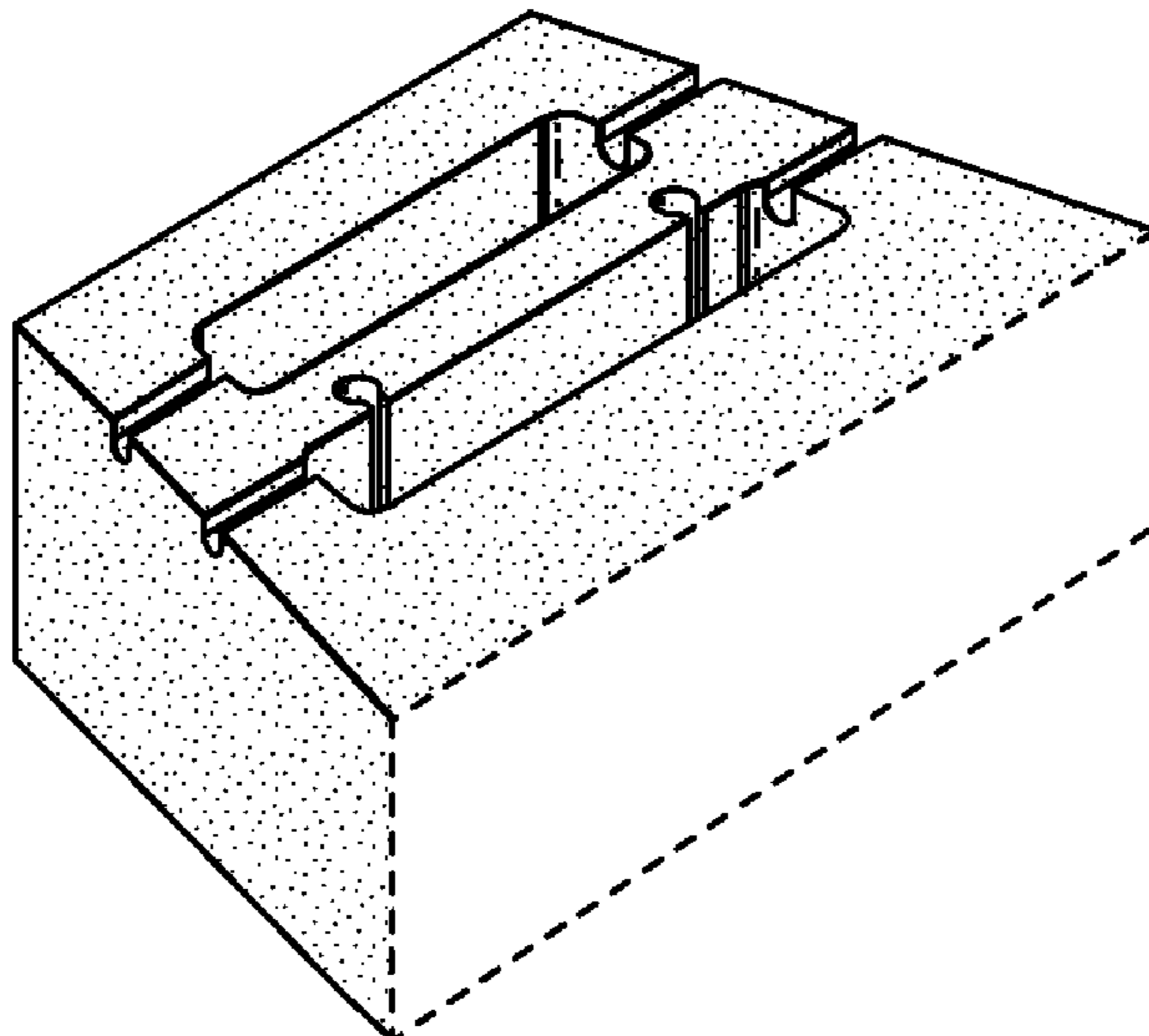
U.S. PATENT DOCUMENTS

- 1,385,299 A 7/1921 Bilque
D296,007 S 5/1988 Forsberg
D301,064 S 5/1989 Forsberg
D319,885 S 9/1991 Blomquist et al.
D321,060 S 10/1991 Blomquist et al.
5,161,918 A 11/1992 Hodel
5,214,898 A 6/1993 Beretta
5,252,017 A 10/1993 Hodel
D341,215 S 11/1993 Blomquist et al.
D346,667 S 5/1994 Blomquist et al.
D347,070 S 5/1994 Anderson et al.
D350,402 S 9/1994 Pribyl et al.
5,568,994 A 10/1996 Dawson
5,595,460 A 1/1997 Miller et al.
5,601,384 A 2/1997 Dawson
5,619,835 A 4/1997 Bailey, II et al.
D380,560 S 7/1997 Forsberg

DESCRIPTION

FIG. 1 is a front top perspective view of an embodiment of a landscaping block according to my new design;
FIG. 2 is a front bottom perspective view thereof;
FIG. 3 is a front view thereof;
FIG. 4 is a top plan view thereof;
FIG. 5 is a bottom plan view thereof;
FIG. 6 is a rear elevational view thereof;
FIG. 7 is a left side elevational view thereof; and,
FIG. 8 is a right side elevational view thereof.
The broken lines in the drawing views are included for the purpose of illustrating a portion of the landscaping block that forms no part of the claimed design.

1 Claim, 1 Drawing Sheet



(56)

References Cited

U.S. PATENT DOCUMENTS

D452,332 S 12/2001 Blomquist et al.
 D458,387 S 6/2002 Blomquist et al.
 D467,009 S 12/2002 Agee
 6,488,448 B1 12/2002 Blomquist et al.
 6,527,483 B1 3/2003 Agee
 6,536,994 B2 3/2003 Race
 D479,003 S 8/2003 Nordstrand
 6,615,561 B2 9/2003 MacDonald et al.
 6,622,445 B1 9/2003 Shillingburg et al.
 6,701,687 B1 3/2004 Shillingburg
 6,709,201 B2 3/2004 Race
 D488,242 S 4/2004 MacDonald
 D488,568 S 4/2004 MacDonald
 D488,569 S 4/2004 Dawson
 D490,542 S 5/2004 MacDonald
 6,803,002 B2 10/2004 Suto et al.
 6,821,058 B1 11/2004 Dawson
 D501,935 S 2/2005 Dawson et al.
 6,854,231 B2 2/2005 MacDonald et al.
 6,912,823 B2 7/2005 MacDonald et al.
 7,096,634 B2 8/2006 Dean, Jr.
 7,168,892 B1 1/2007 MacDonald et al.
 D556,919 S 12/2007 Price
 7,328,537 B2 2/2008 Hammer
 D574,517 S * 8/2008 Foster D25/113
 7,448,830 B2 11/2008 MacDonald et al.
 7,641,178 B2 1/2010 MacDonald et al.
 D610,710 S 2/2010 LaCroix et al.
 7,654,776 B2 2/2010 MacDonald et al.
 D615,669 S 5/2010 Caggiano

D620,135 S 7/2010 Adam
 D620,615 S 7/2010 MacDonald et al.
 D621,070 S 8/2010 MacDonald et al.
 7,780,141 B2 8/2010 Dawson et al.
 7,934,351 B2 5/2011 Clarno
 7,971,407 B2 7/2011 MacDonald
 D645,575 S 9/2011 Bone
 D647,218 S 10/2011 MacDonald
 D647,219 S 10/2011 MacDonald
 D663,858 S 7/2012 MacDonald
 D665,514 S 8/2012 MacDonald
 D665,515 S 8/2012 MacDonald
 D667,138 S * 9/2012 Rainey D25/113
 2002/0001509 A1 1/2002 Hong
 2005/0102949 A1 5/2005 Whitson
 2006/0110223 A1 5/2006 Dawson
 2008/0277561 A1 11/2008 MacDonald
 2008/0289282 A1 11/2008 MacDonald
 2008/0302350 A1 12/2008 LaCroix
 2008/0307740 A1 12/2008 MacDonald
 2008/0313988 A1 12/2008 MacDonald
 2009/0120029 A1 5/2009 LaCroix et al.
 2009/0151281 A1 6/2009 MacDonald et al.
 2009/0188196 A1 7/2009 MacDonald
 2009/0308015 A1 12/2009 MacDonald et al.
 2009/0313936 A1 12/2009 MacDonald et al.
 2010/0308502 A1 12/2010 LaCroix et al.
 2010/0310695 A1 12/2010 LaCroix et al.
 2011/0072753 A1 3/2011 MacDonald
 2011/0217127 A1 9/2011 MacDonald
 2011/0243669 A1 10/2011 Friederichs et al.

* cited by examiner

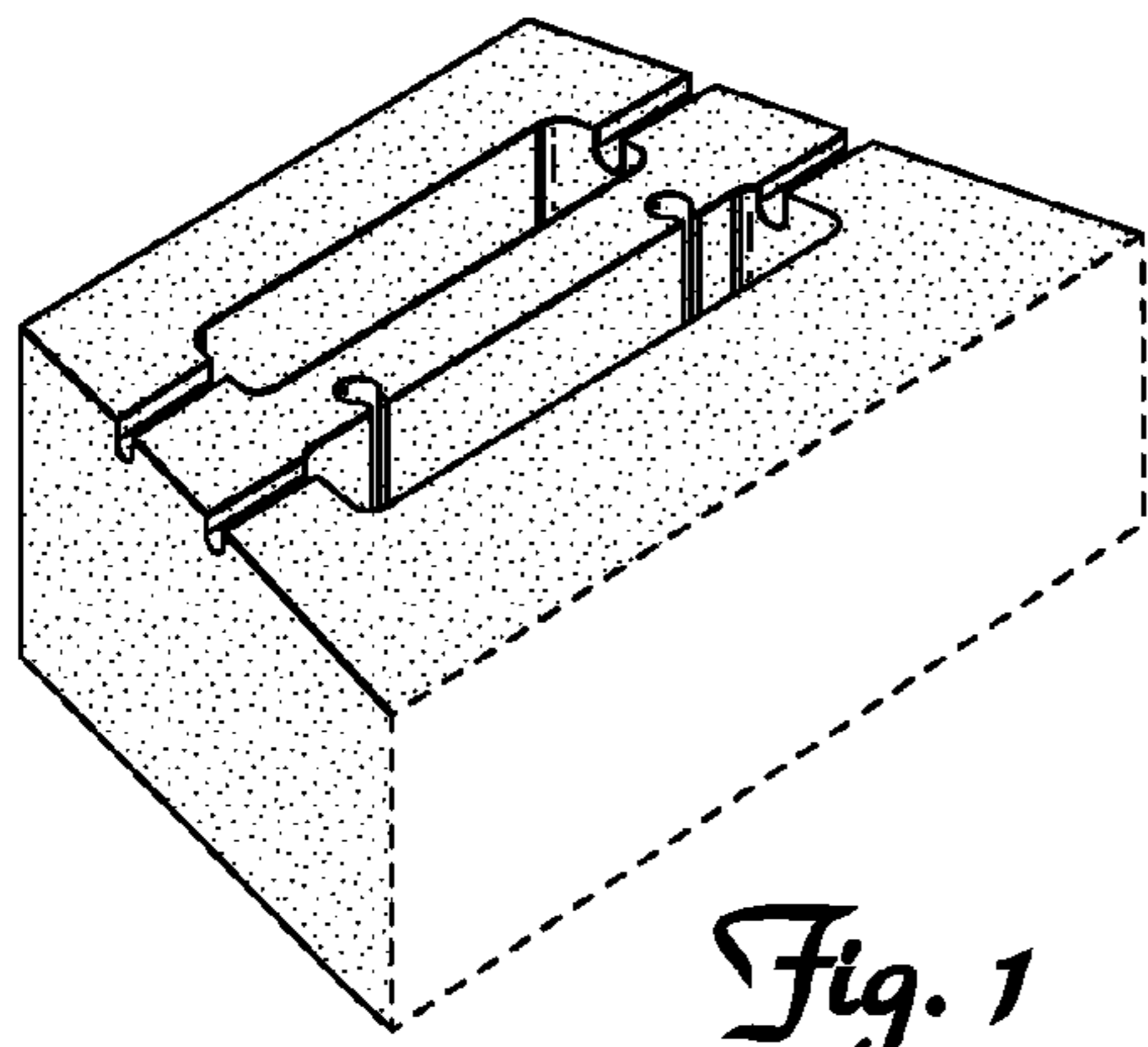


Fig. 1

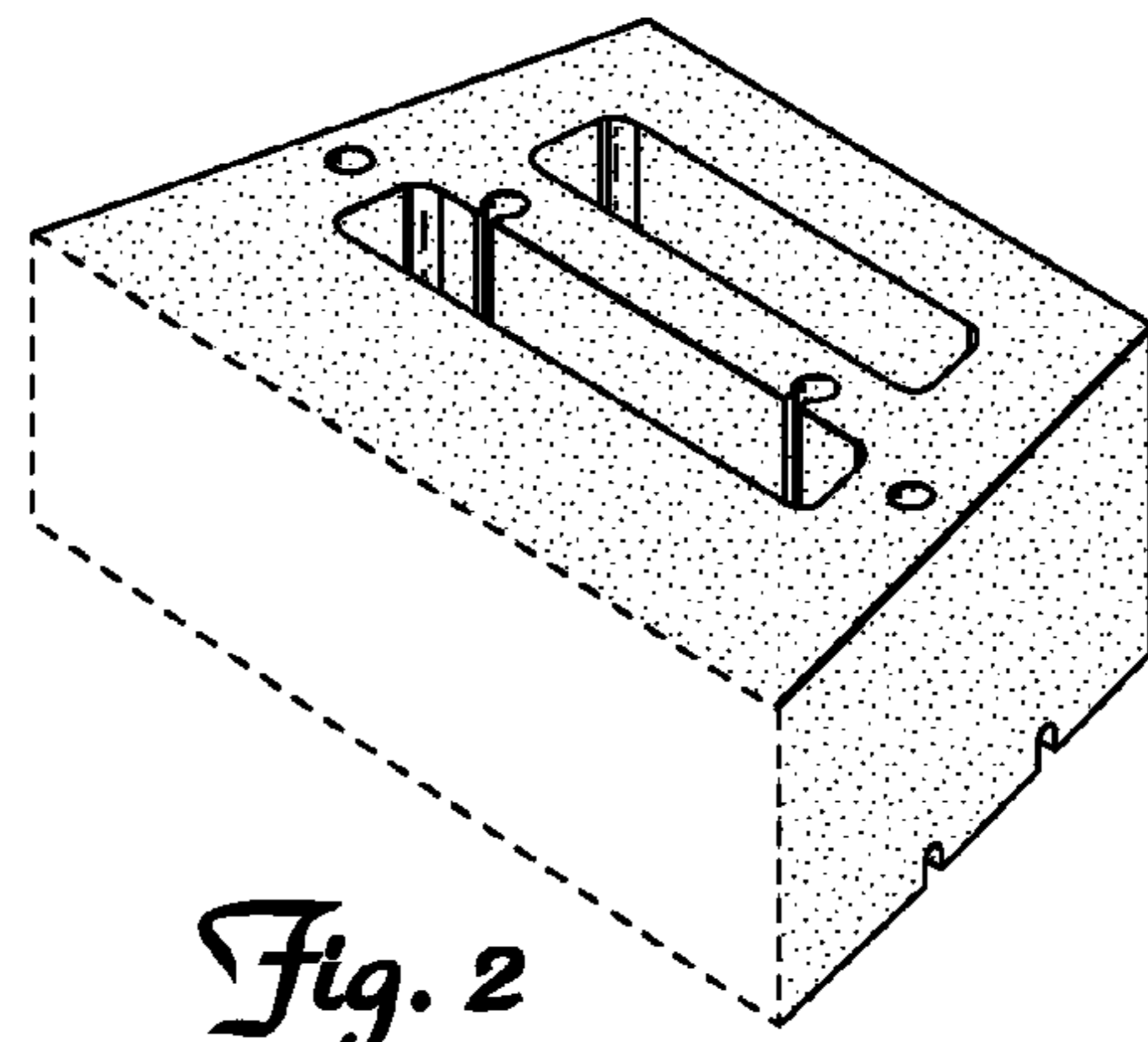


Fig. 2



Fig. 3

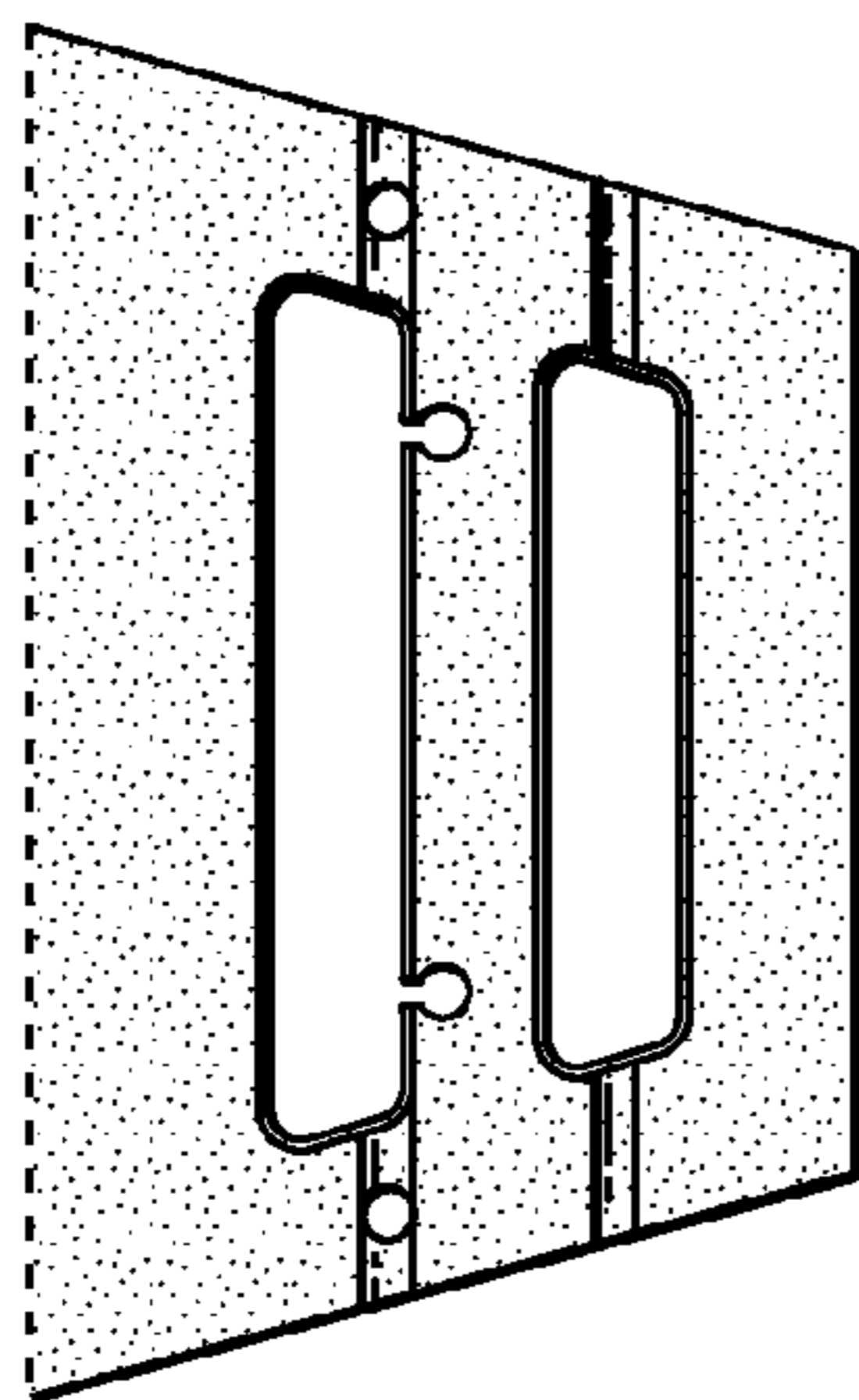


Fig. 4

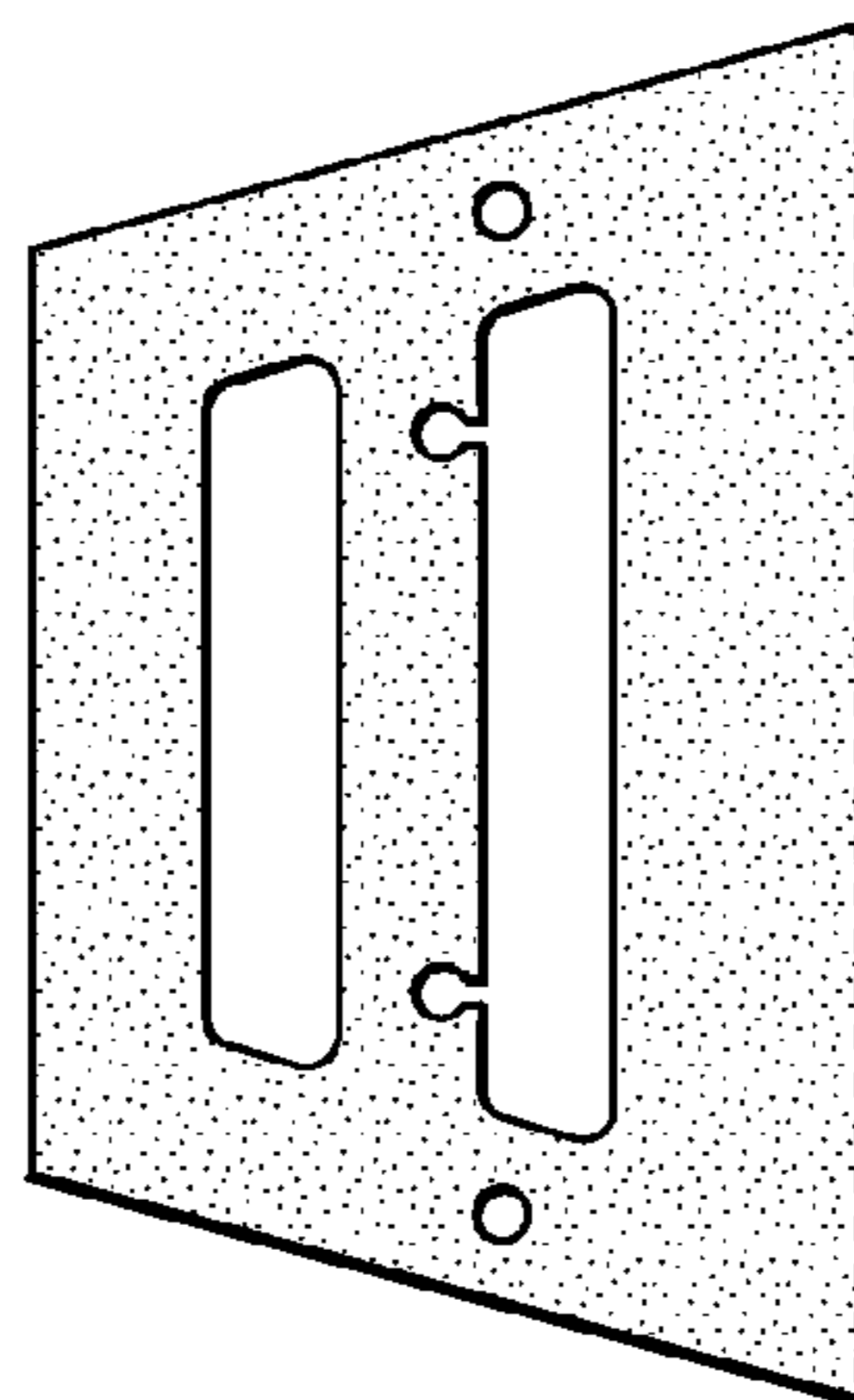


Fig. 5

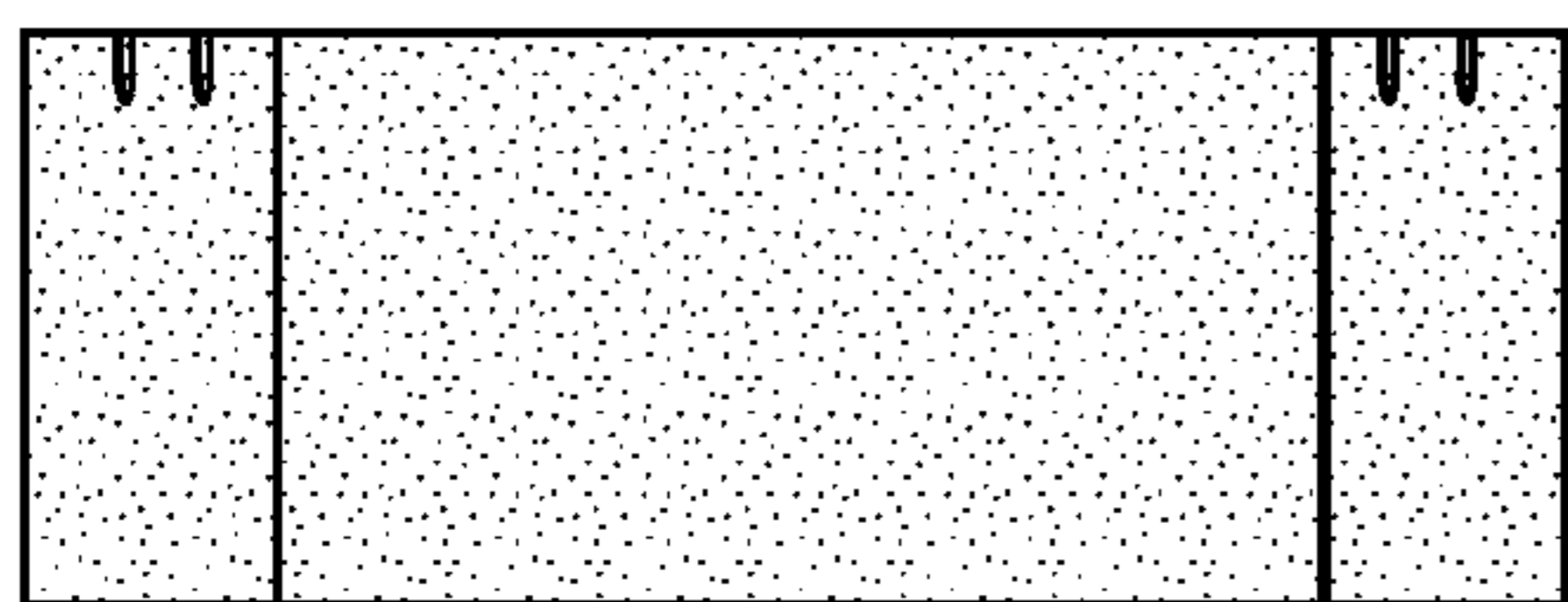


Fig. 6

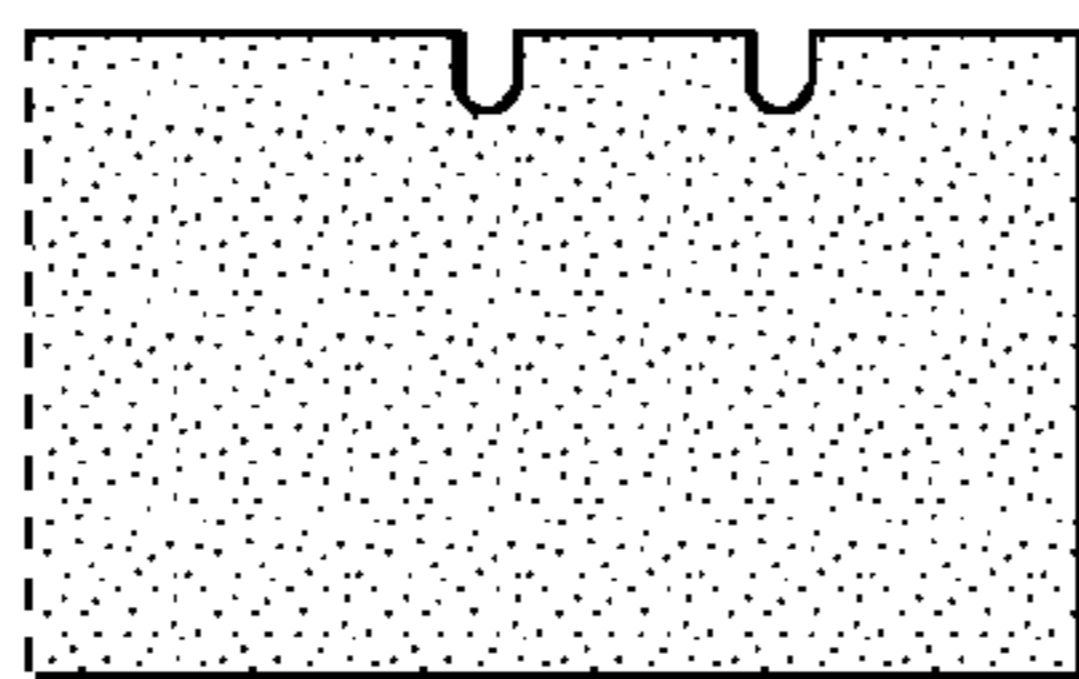


Fig. 7

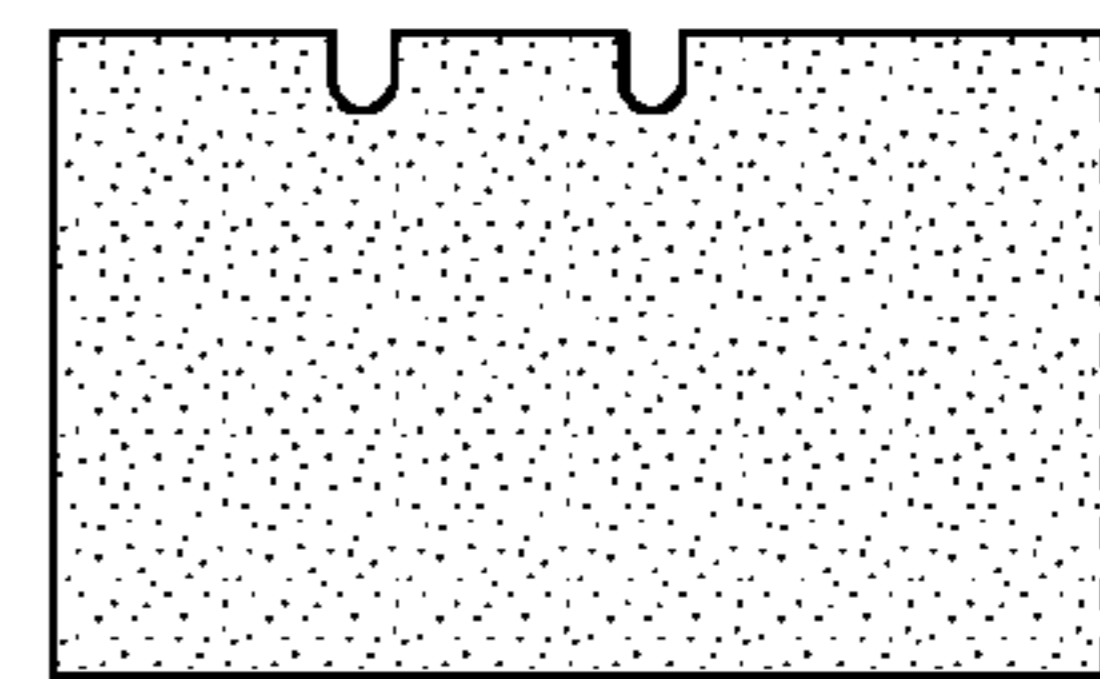


Fig. 8