



US00D688814S

(12) **United States Design Patent**
MacDonald

(10) **Patent No.:** **US D688,814 S**

(45) **Date of Patent:** **** Aug. 27, 2013**

- (54) **LANDSCAPING BLOCK**
- (75) Inventor: **Robert A. MacDonald**, Plymouth, MN (US)
- (73) Assignee: **Keystone Retaining Wall Systems LLC**, West Chester, OH (US)
- (**) Term: **14 Years**

- D381,086 S 7/1997 Forsberg
- D384,168 S 9/1997 Stevenson
- D387,434 S 12/1997 Dawson
- 5,707,184 A 1/1998 Anderson et al.
- D397,230 S 8/1998 Forsberg
- D397,451 S 8/1998 Stevenson
- D397,808 S 9/1998 Dawson
- 5,865,006 A 2/1999 Dawson
- 5,913,790 A 6/1999 Dawson
- 5,941,042 A 8/1999 Dueck

(Continued)

- (21) Appl. No.: **29/418,685**
- (22) Filed: **Apr. 19, 2012**
- (51) **LOC (9) Cl.** **25-01**
- (52) **U.S. Cl.**
USPC **D25/114**
- (58) **Field of Classification Search**
USPC D25/102-118, 136, 138, 140, 151,
D25/152, 153, 156-162, 164; D21/484-491,
D21/499-504; 405/16, 284, 286; 52/503-505,
52/574, 575, 596-612; 404/27-42
See application file for complete search history.

Primary Examiner — Anhdao Doan

(74) *Attorney, Agent, or Firm* — Popovich, Wiles & O'Connell, P.A.

(57) **CLAIM**

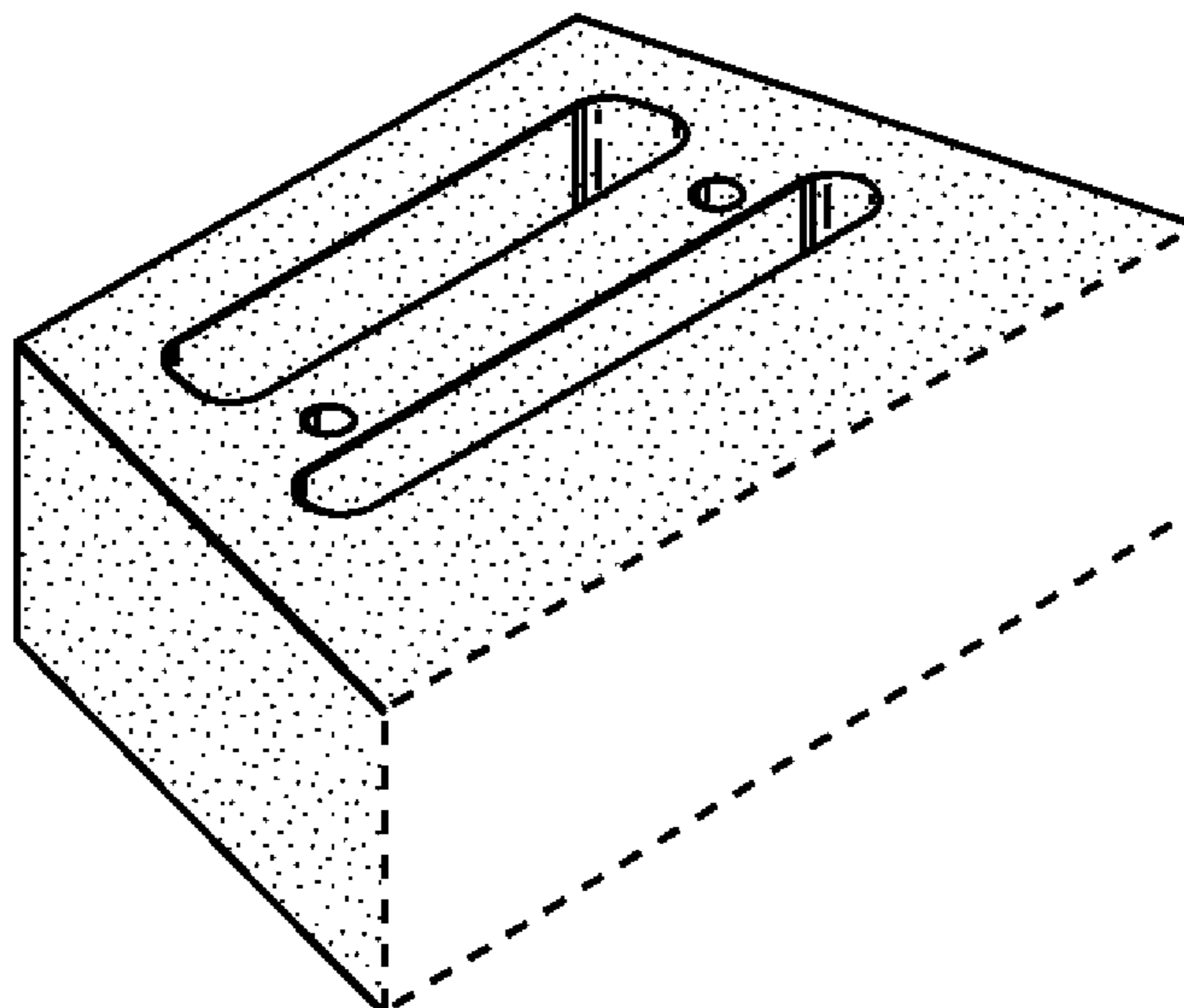
The ornamental design for a landscaping block, as shown and described.

DESCRIPTION

FIG. 1 is a front perspective view of an embodiment of a landscaping block according to my new design;
 FIG. 2 is a front view thereof;
 FIG. 3 is a top plan view thereof;
 FIG. 4 is a bottom plan view thereof;
 FIG. 5 is a rear elevational view thereof;
 FIG. 6 is a left side elevational view thereof; and
 FIG. 7 is a right side elevational view thereof.
 FIG. 8 is a front perspective view of an embodiment of a landscaping block according to my new design;
 FIG. 9 is a front view thereof;
 FIG. 10 is a top plan view thereof;
 FIG. 11 is a bottom plan view thereof;
 FIG. 12 is a rear elevational view thereof;
 FIG. 13 is a left side elevational view thereof; and,
 FIG. 14 is a right side elevational view thereof.
 The broken lines in the drawing views are included for the purpose of illustrating portions of the landscaping block that form no part of the claimed design.

- (56) **References Cited**
U.S. PATENT DOCUMENTS
- 1,385,299 A 7/1921 Bilque
- D296,007 S 5/1988 Forsberg
- D301,064 S 5/1989 Forsberg
- D319,885 S 9/1991 Blomquist et al.
- D321,060 S 10/1991 Blomquist et al.
- 5,161,918 A 11/1992 Hodel
- 5,214,898 A 6/1993 Beretta
- 5,252,017 A 10/1993 Hodel
- D341,215 S 11/1993 Blomquist et al.
- D346,667 S 5/1994 Blomquist et al.
- D347,070 S 5/1994 Anderson et al.
- D350,402 S 9/1994 Pribyl et al.
- 5,568,994 A 10/1996 Dawson
- 5,595,460 A 1/1997 Miller et al.
- 5,601,384 A 2/1997 Dawson
- 5,619,835 A 4/1997 Bailey, II et al.
- D380,560 S 7/1997 Forsberg

1 Claim, 2 Drawing Sheets



(56)

References Cited

U.S. PATENT DOCUMENTS

5,984,589 A	11/1999	Ciccarello	7,641,178 B2	1/2010	MacDonald et al.
6,019,550 A	2/2000	Wrigley et al.	D610,710 S	2/2010	LaCroix et al.
6,035,599 A	3/2000	Sonnentag	7,654,776 B2	2/2010	MacDonald et al.
D430,308 S	8/2000	Dawson	D615,669 S	5/2010	Caggiano
D433,158 S	10/2000	Hammer	D620,135 S	7/2010	Adam
6,149,352 A	11/2000	MacDonald	D620,615 S	7/2010	MacDonald et al.
D439,678 S	3/2001	Blomquist et al.	D621,070 S	8/2010	MacDonald et al.
D452,332 S	12/2001	Blomquist et al.	7,780,141 B2	8/2010	Dawson et al.
D458,387 S	6/2002	Blomquist et al.	7,934,351 B2	5/2011	Clarno
D467,009 S	12/2002	Agee	7,971,407 B2	7/2011	MacDonald
6,488,448 B1	12/2002	Blomquist et al.	D645,575 S	9/2011	Bone
6,527,483 B1	3/2003	Agee	D647,218 S	10/2011	MacDonald
6,536,994 B2	3/2003	Race	D647,219 S	10/2011	MacDonald
D479,003 S	8/2003	Nordstrand	D663,858 S	7/2012	MacDonald
6,615,561 B2	9/2003	MacDonald et al.	D665,514 S	8/2012	MacDonald
6,622,445 B1	9/2003	Shillingburg et al.	D665,515 S	8/2012	MacDonald
6,701,687 B1	3/2004	Shillingburg	D667,138 S *	9/2012	Rainey D25/113
6,709,201 B2	3/2004	Race	2002/0001509 A1	1/2002	Hong
D488,242 S	4/2004	MacDonald	2005/0102949 A1	5/2005	Whitson
D488,568 S	4/2004	MacDonald	2006/0110223 A1	5/2006	Dawson
D488,569 S	4/2004	Dawson	2008/0277561 A1	11/2008	MacDonald
D490,542 S	5/2004	MacDonald	2008/0289282 A1	11/2008	MacDonald
6,803,002 B2	10/2004	Suto et al.	2008/0302350 A1	12/2008	LaCroix
6,821,058 B1	11/2004	Dawson	2008/0307740 A1	12/2008	MacDonald
D501,935 S	2/2005	Dawson et al.	2008/0313988 A1	12/2008	MacDonald
6,854,231 B2	2/2005	MacDonald et al.	2008/0313988 A1	12/2008	MacDonald
6,912,823 B2	7/2005	MacDonald et al.	2009/0120029 A1	5/2009	LaCroix et al.
7,096,634 B2	8/2006	Dean, Jr.	2009/0151281 A1	6/2009	MacDonald et al.
7,168,892 B1	1/2007	MacDonald et al.	2009/0188196 A1	7/2009	MacDonald
D556,919 S	12/2007	Price	2009/0308015 A1	12/2009	MacDonald et al.
7,328,537 B2	2/2008	Hammer	2009/0313936 A1	12/2009	MacDonald et al.
D574,517 S *	8/2008	Foster D25/113	2010/0308502 A1	12/2010	LaCroix et al.
7,448,830 B2	11/2008	MacDonald et al.	2010/0310695 A1	12/2010	LaCroix et al.
			2011/0072753 A1	3/2011	MacDonald
			2011/0217127 A1	9/2011	MacDonald
			2011/0243669 A1	10/2011	Friederichs et al.

* cited by examiner

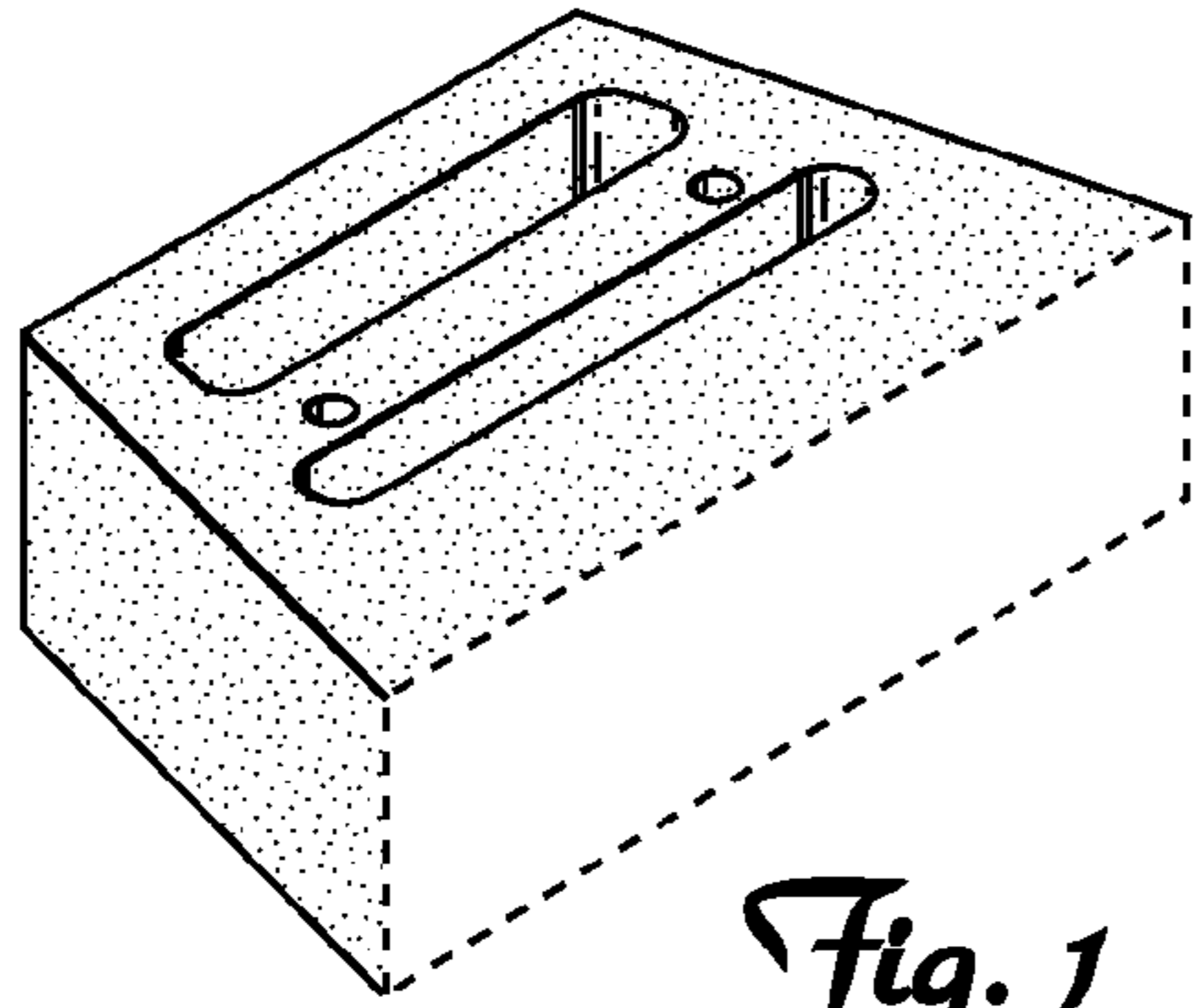


Fig. 1



Fig. 2

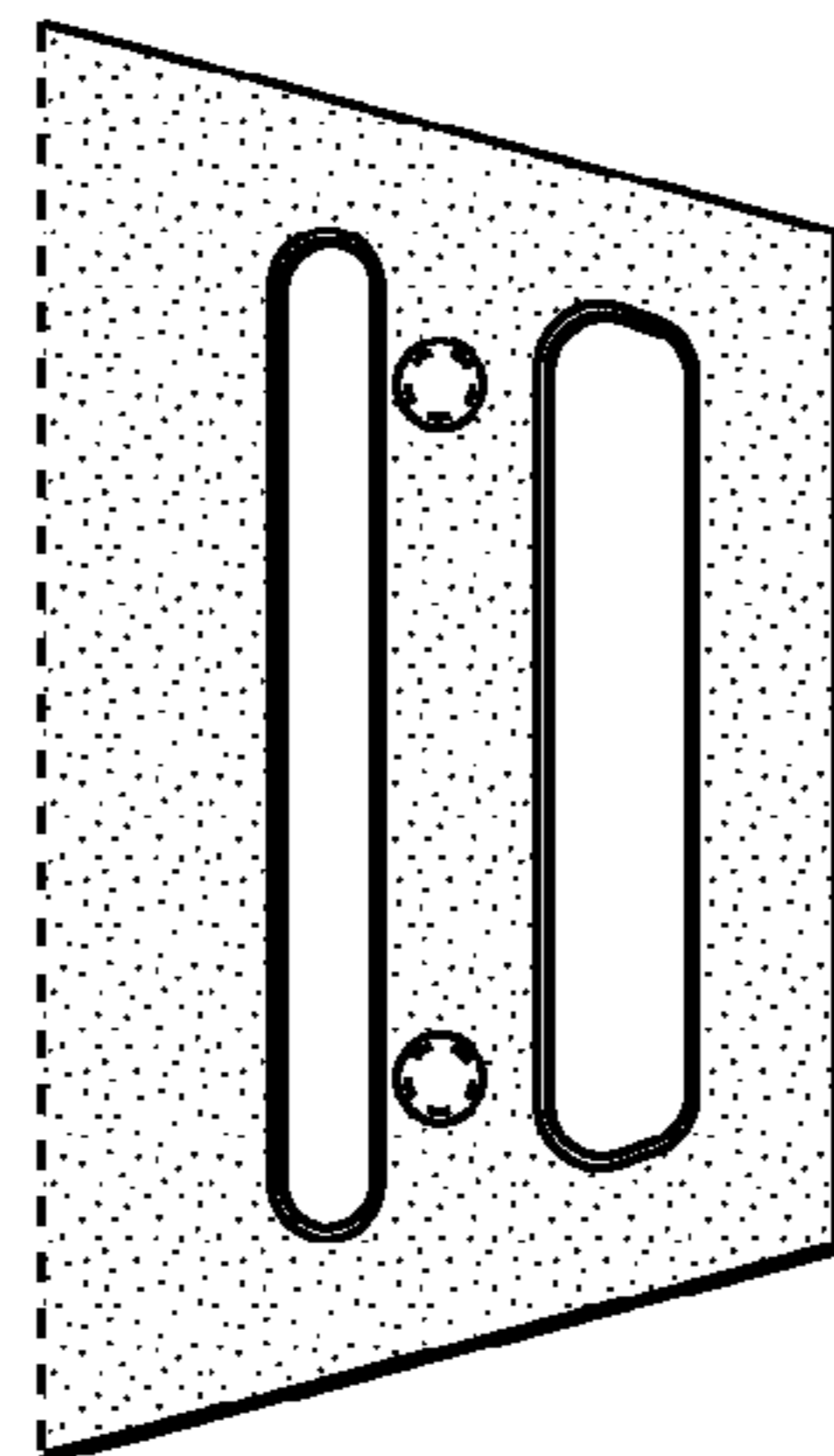


Fig. 3

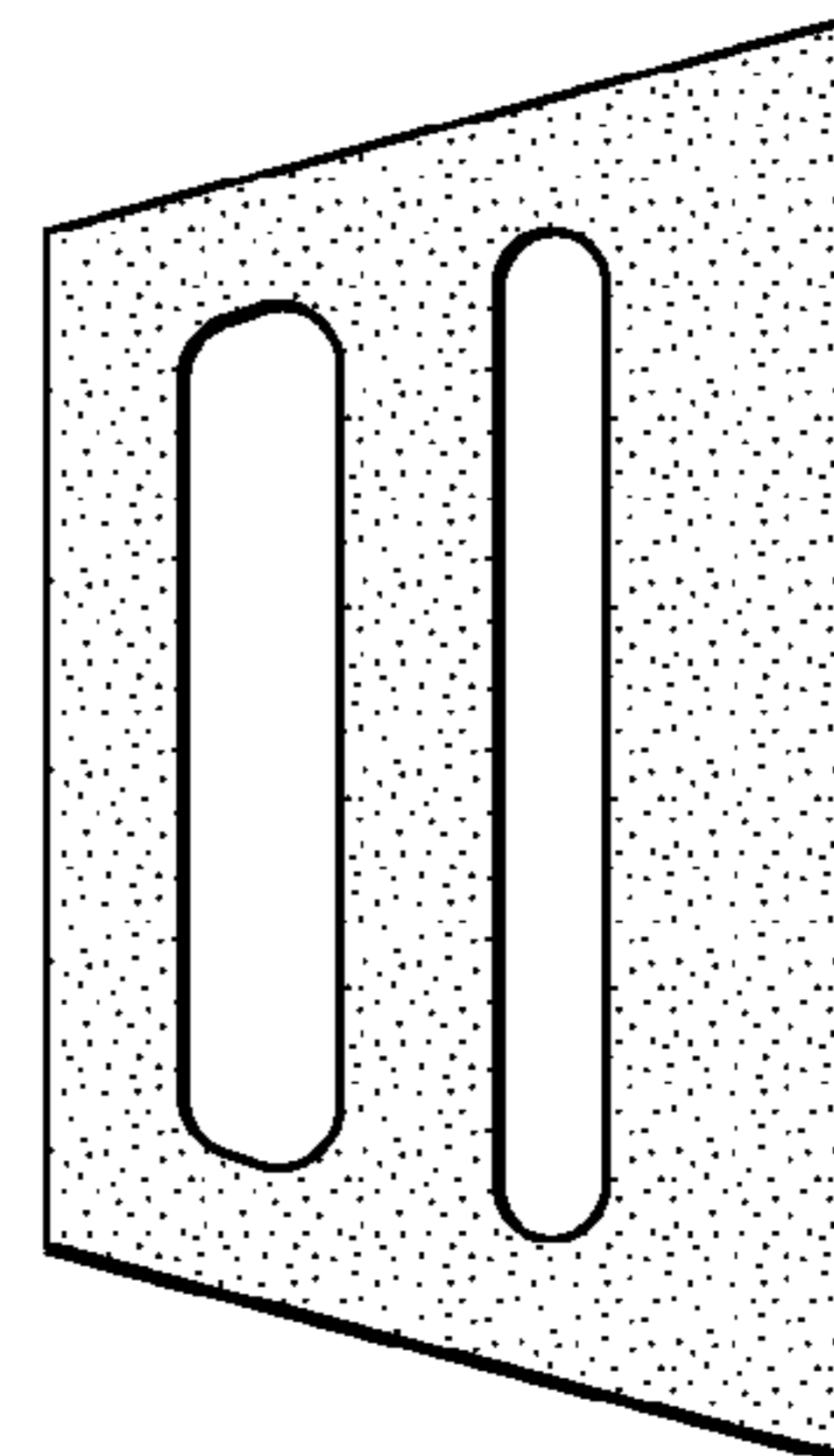


Fig. 4

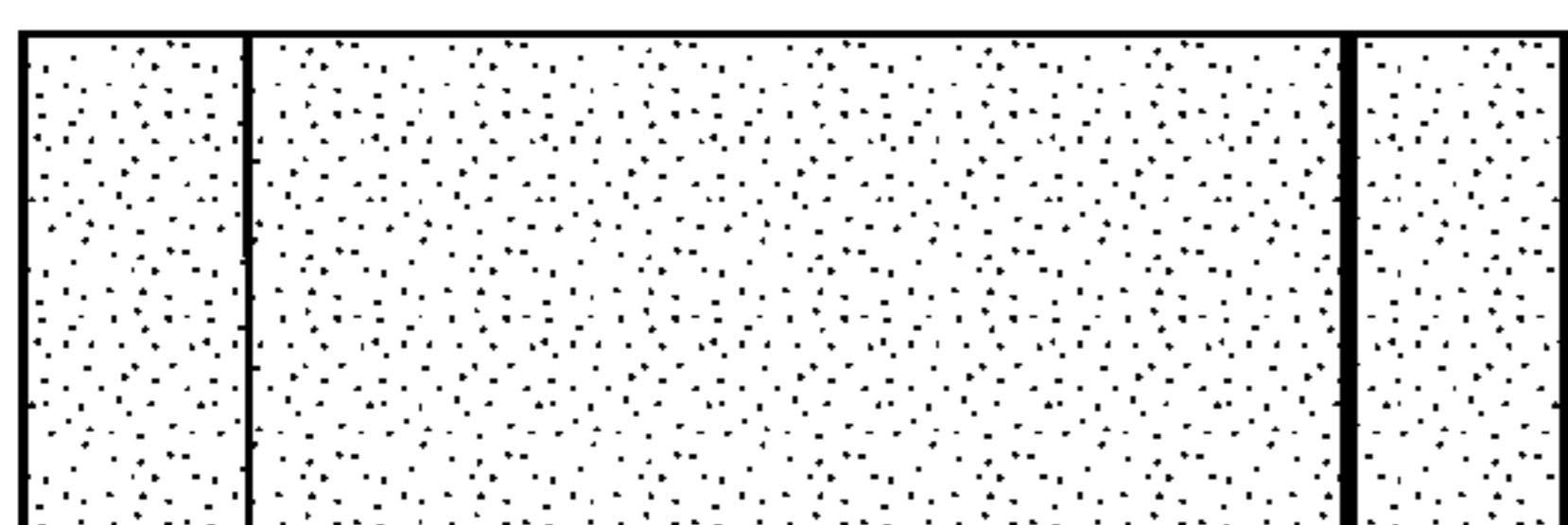


Fig. 5

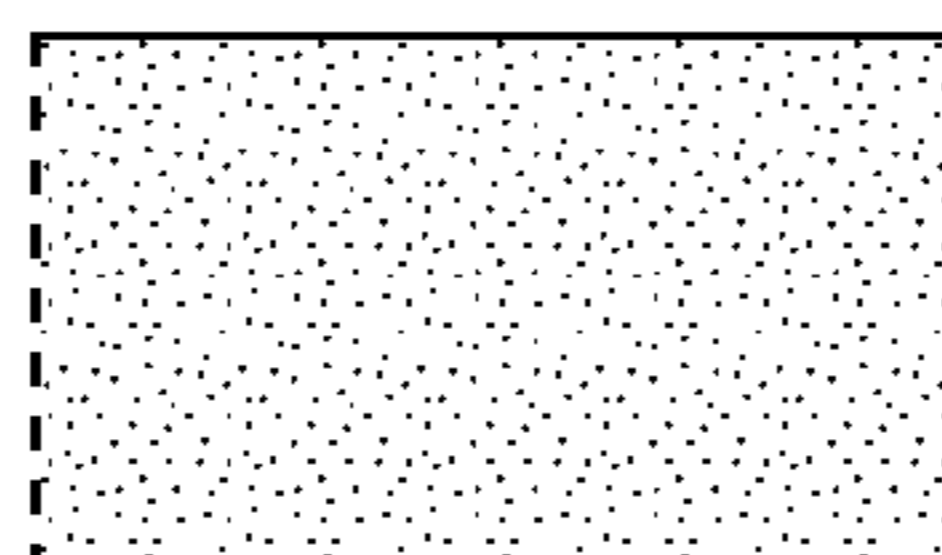


Fig. 6

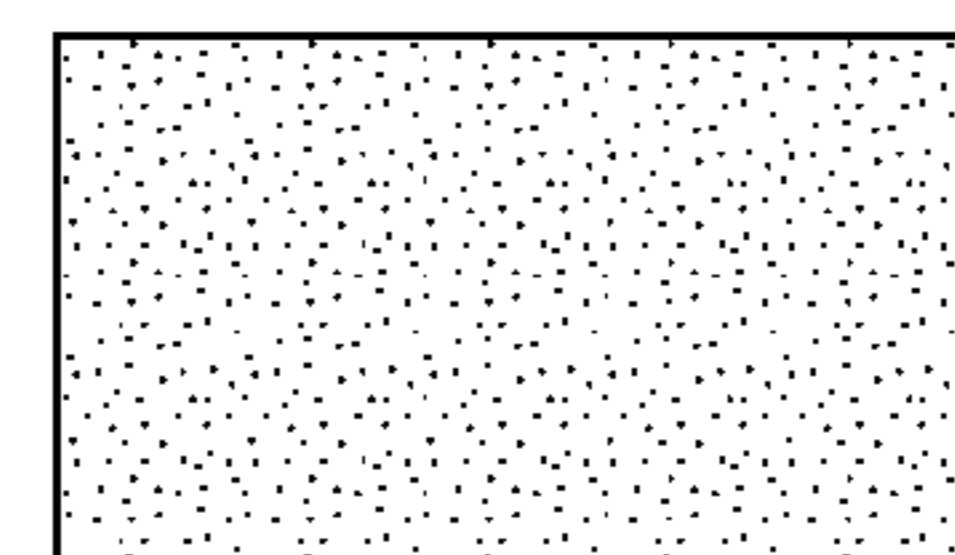


Fig. 7

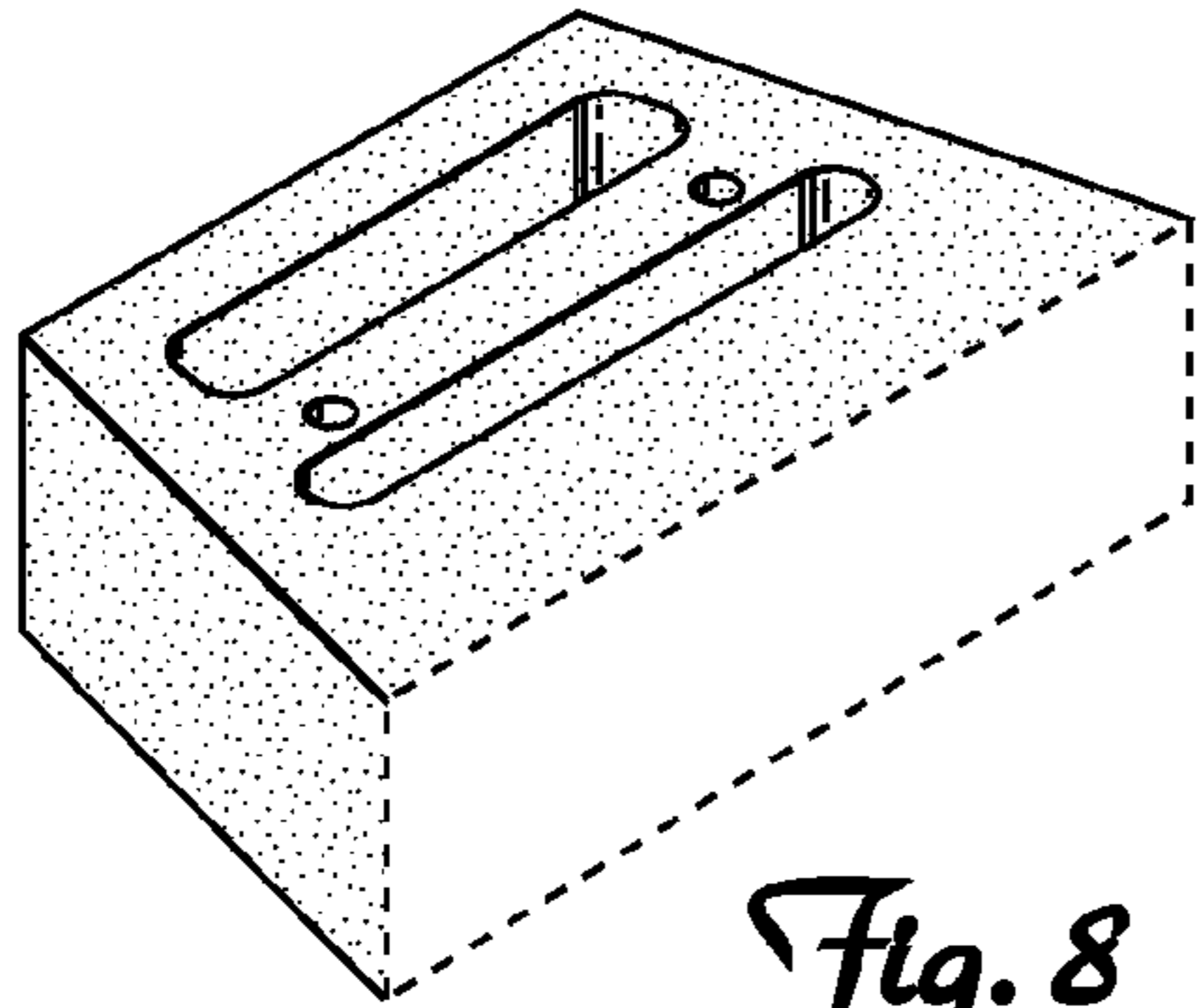


Fig. 8



Fig. 9

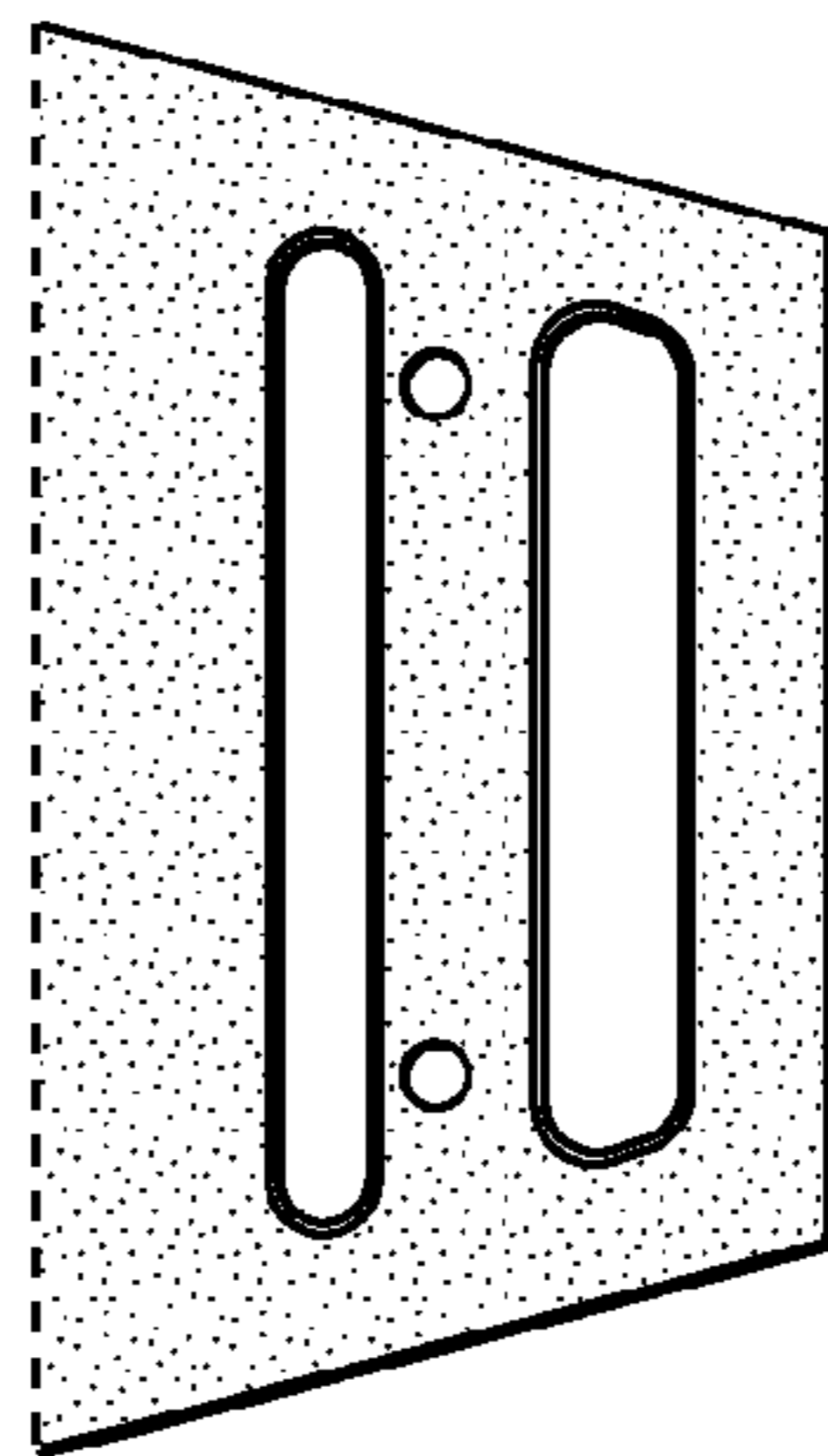


Fig. 10

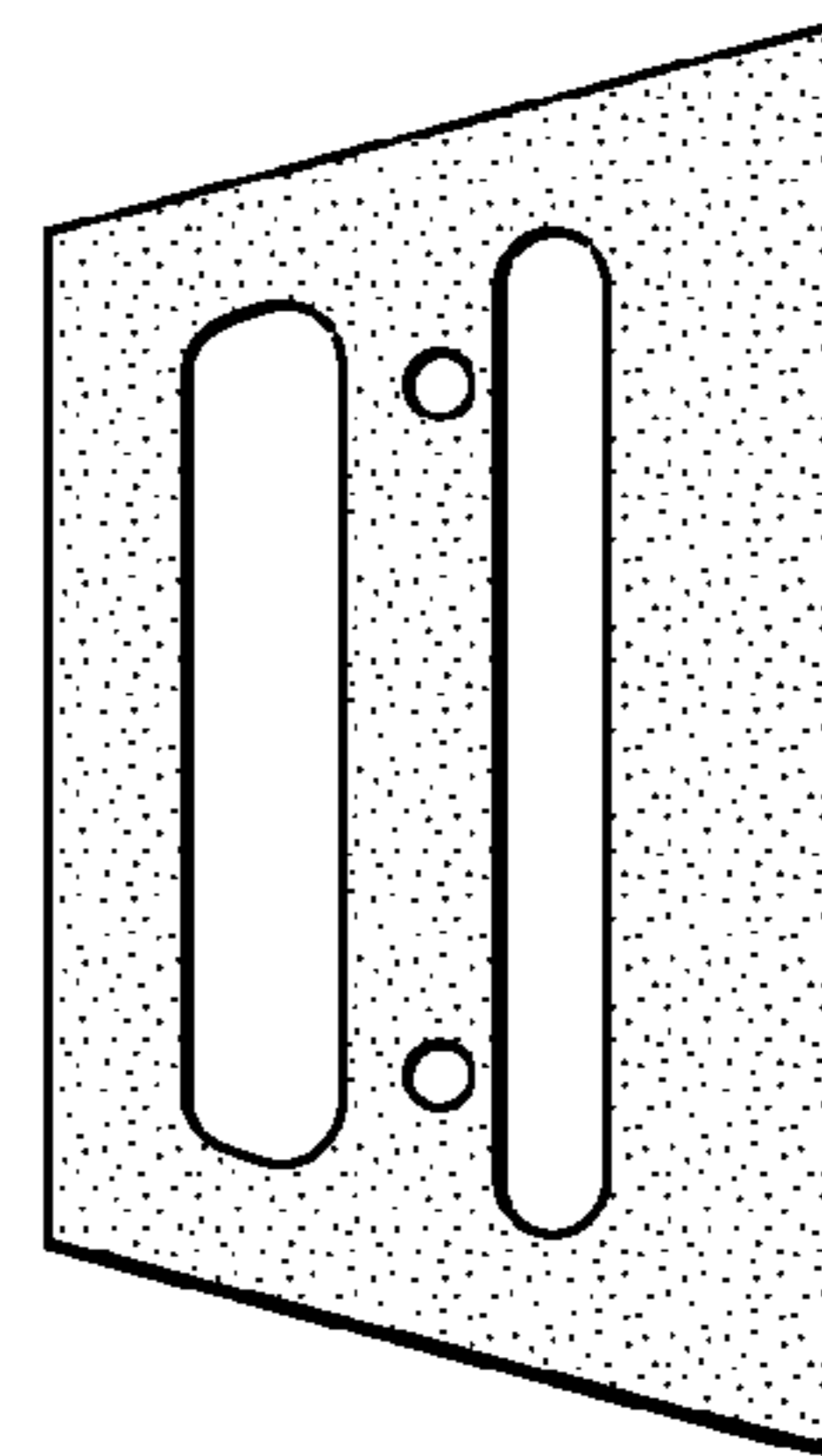


Fig. 11

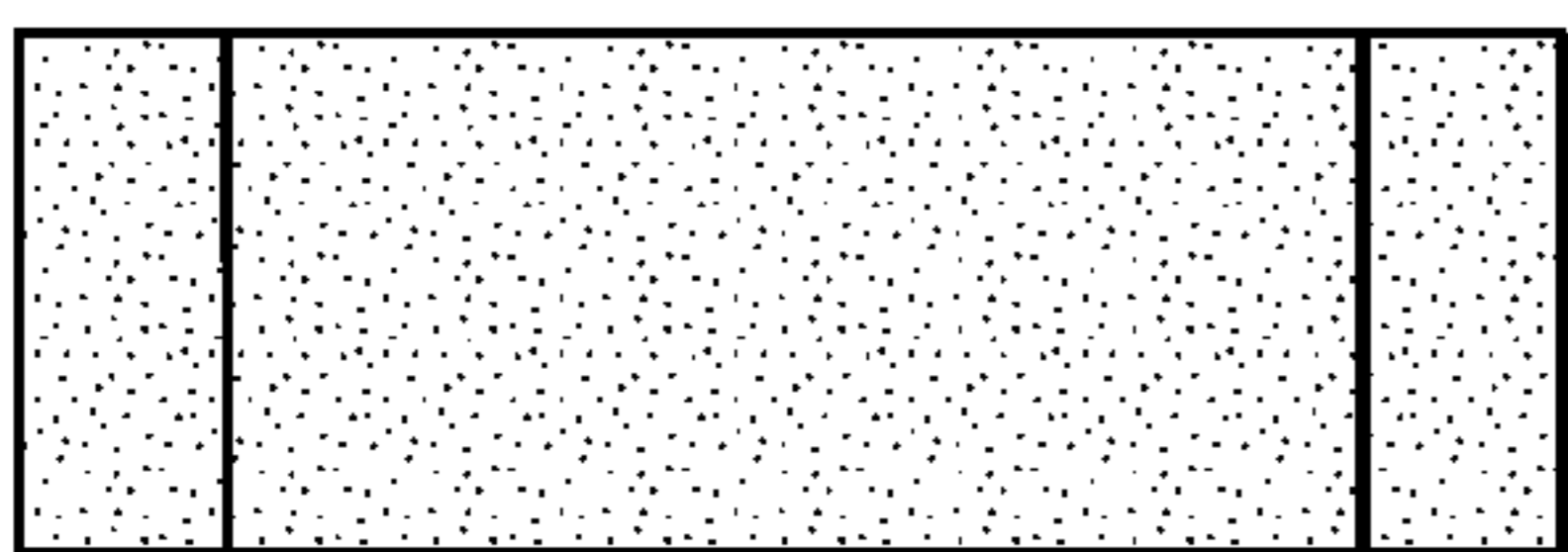


Fig. 12

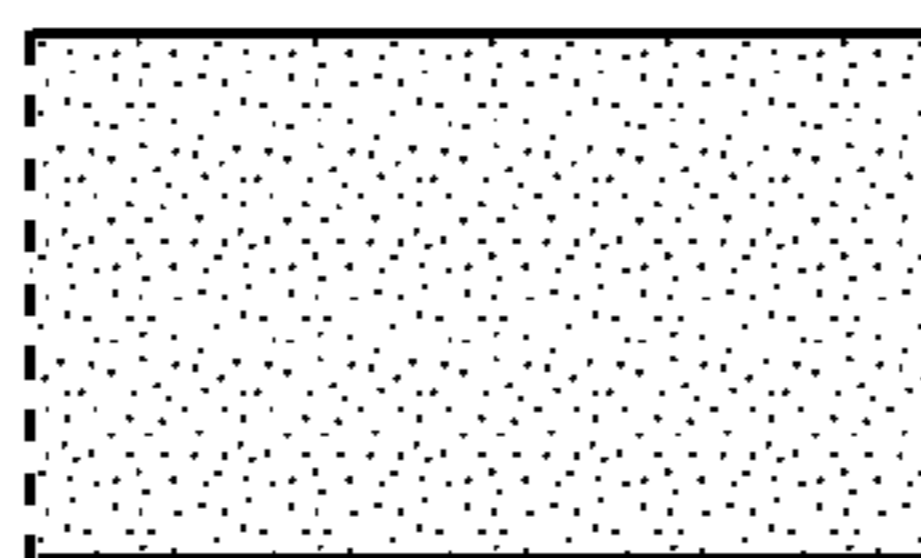


Fig. 13

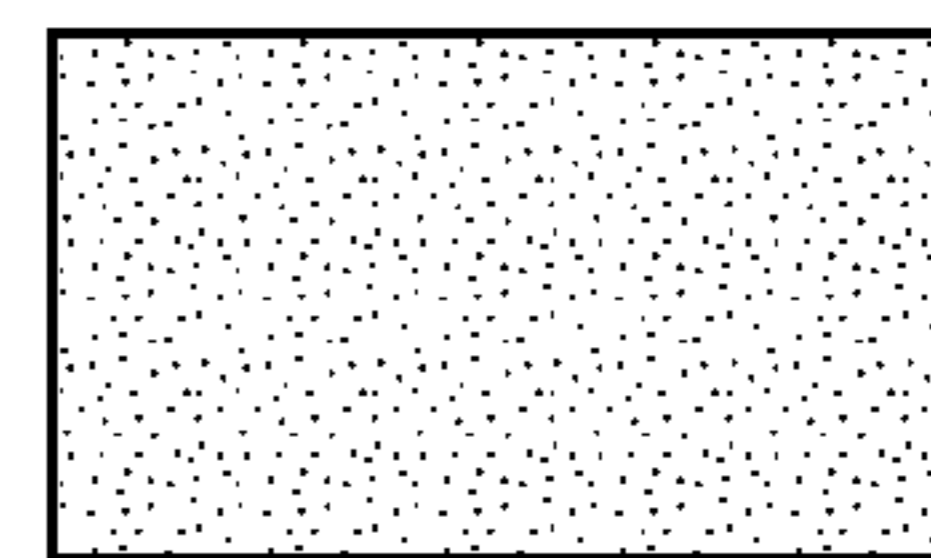


Fig. 14