



US00D688813S

(12) **United States Design Patent**
MacDonald

(10) **Patent No.:** **US D688,813 S**
(45) **Date of Patent:** **** Aug. 27, 2013**

(54) **LANDSCAPING BLOCK**
(75) Inventor: **Robert A. MacDonald**, Plymouth, MN
(US)
(73) Assignee: **Keystone Retaining Wall Systems**
LLC, West Chester, OH (US)
(**) Term: **14 Years**

D381,086 S 7/1997 Forsberg
D384,168 S 9/1997 Stevenson
D387,434 S 12/1997 Dawson
5,707,184 A 1/1998 Anderson et al.
D397,230 S 8/1998 Forsberg
D397,451 S 8/1998 Stevenson
D397,808 S 9/1998 Dawson
5,865,006 A 2/1999 Dawson
5,913,790 A 6/1999 Dawson

(Continued)

(21) Appl. No.: **29/418,680**

Primary Examiner — Anhdao Doan

(22) Filed: **Apr. 19, 2012**

(74) *Attorney, Agent, or Firm* — Popovich, Wiles & O'Connell, P.A.

(51) **LOC (9) Cl.** **25-01**

(57) **CLAIM**

(52) **U.S. Cl.**
USPC **D25/114**

The ornamental design for a landscaping block, as shown and described.

(58) **Field of Classification Search**
USPC D25/102–118, 136, 138, 140, 151,
D25/152, 153, 156–162, 164; D21/484–491,
D21/499–504; 405/16, 284, 286; 52/503–505,
52/574, 575, 596–612; 404/27–42
See application file for complete search history.

DESCRIPTION

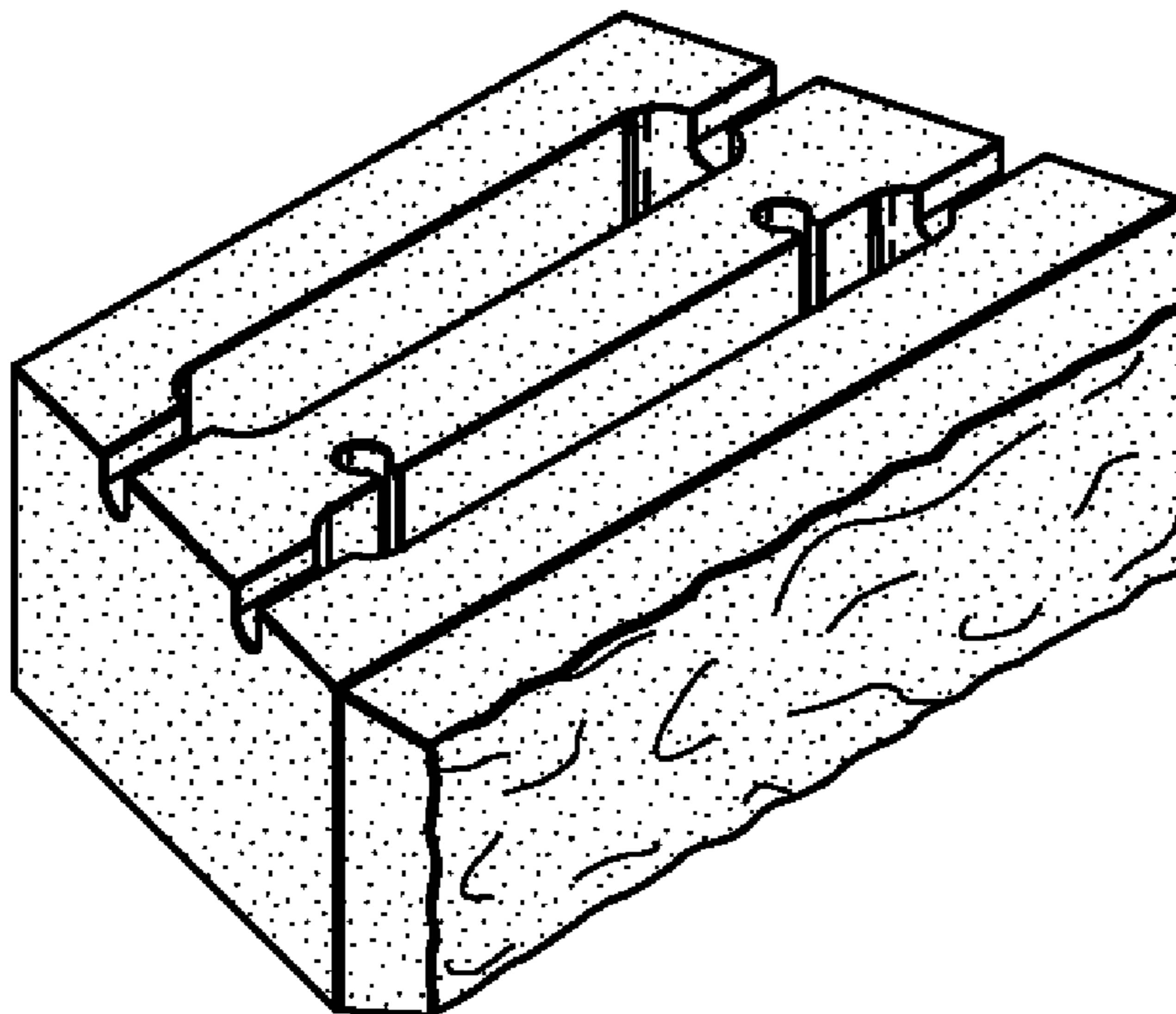
(56) **References Cited**

U.S. PATENT DOCUMENTS

1,385,299 A 7/1921 Bilque
D296,007 S 5/1988 Forsberg
D301,064 S 5/1989 Forsberg
D319,885 S 9/1991 Blomquist et al.
D321,060 S 10/1991 Blomquist et al.
5,161,918 A 11/1992 Hodel
5,214,898 A 6/1993 Beretta
5,252,017 A 10/1993 Hodel
D341,215 S 11/1993 Blomquist et al.
D346,667 S 5/1994 Blomquist et al.
D347,070 S 5/1994 Anderson et al.
D350,402 S 9/1994 Pribyl et al.
5,568,994 A 10/1996 Dawson
5,595,460 A 1/1997 Miller et al.
5,601,384 A 2/1997 Dawson
5,619,835 A 4/1997 Bailey, II et al.
D380,560 S 7/1997 Forsberg

FIG. 1 is a front top perspective view of an embodiment of a landscaping block according to my new design;
FIG. 2 is a front view thereof;
FIG. 3 is a top plan view thereof;
FIG. 4 is a bottom plan view thereof;
FIG. 5 is a rear elevational view thereof;
FIG. 6 is a left side elevational view thereof; and
FIG. 7 is a right side elevational view thereof.
FIG. 8 is a front top perspective view of an embodiment of a landscaping block according to my new design;
FIG. 9 is a front bottom perspective view thereof;
FIG. 10 is a front view thereof;
FIG. 11 is a top plan view thereof;
FIG. 12 is a bottom plan view thereof;
FIG. 13 is a rear elevational view thereof;
FIG. 14 is a left side elevational view thereof; and
FIG. 15 is a right side elevational view thereof.
The broken lines in FIG. 3 are included for the purpose of illustrating portions of the landscaping block that form no part of the claimed design.

1 Claim, 2 Drawing Sheets



(56)

References Cited

U.S. PATENT DOCUMENTS

5,941,042 A	8/1999	Dueck	7,641,178 B2	1/2010	MacDonald et al.
5,984,589 A	11/1999	Ciccarello	D610,710 S	2/2010	LaCroix et al.
6,019,550 A	2/2000	Wrigley et al.	7,654,776 B2	2/2010	MacDonald et al.
6,035,599 A	3/2000	Sonnentag	D615,669 S	5/2010	Caggiano
D430,308 S	8/2000	Dawson	D620,135 S	7/2010	Adam
D433,158 S	10/2000	Hammer	D620,615 S	7/2010	MacDonald et al.
6,149,352 A	11/2000	MacDonald	D621,070 S	8/2010	MacDonald et al.
D439,678 S	3/2001	Blomquist et al.	7,780,141 B2	8/2010	Dawson et al.
D452,332 S	12/2001	Blomquist et al.	7,934,351 B2	5/2011	Clarno
D458,387 S	6/2002	Blomquist et al.	7,971,407 B2	7/2011	MacDonald
D467,009 S	12/2002	Agee	D645,575 S	9/2011	Bone
6,488,448 B1	12/2002	Blomquist et al.	D647,218 S	10/2011	MacDonald
6,527,483 B1	3/2003	Agee	D647,219 S	10/2011	MacDonald
6,536,994 B2	3/2003	Race	D663,858 S	7/2012	MacDonald
D479,003 S	8/2003	Nordstrand	D665,514 S	8/2012	MacDonald
6,615,561 B2	9/2003	MacDonald et al.	D665,515 S	8/2012	MacDonald
6,622,445 B1	9/2003	Shillingburg et al.	D667,138 S *	9/2012	Rainey D25/113
6,701,687 B1	3/2004	Shillingburg	2002/0001509 A1	1/2002	Hong
6,709,201 B2	3/2004	Race	2005/0102949 A1	5/2005	Whitson
D488,242 S	4/2004	MacDonald	2006/0110223 A1	5/2006	Dawson
D488,568 S	4/2004	MacDonald	2008/0277561 A1	11/2008	MacDonald
D488,569 S	4/2004	Dawson	2008/0289282 A1	11/2008	MacDonald
D490,542 S	5/2004	MacDonald	2008/0302350 A1	12/2008	LaCroix
6,803,002 B2	10/2004	Suto et al.	2008/0307740 A1	12/2008	MacDonald
6,821,058 B1	11/2004	Dawson	2008/0313988 A1	12/2008	MacDonald
D501,935 S	2/2005	Dawson et al.	2008/0313988 A1	12/2008	MacDonald
6,854,231 B2	2/2005	MacDonald et al.	2009/0120029 A1	5/2009	LaCroix et al.
6,912,823 B2	7/2005	MacDonald et al.	2009/0151281 A1	6/2009	MacDonald et al.
7,096,634 B2	8/2006	Dean, Jr.	2009/0188196 A1	7/2009	MacDonald
7,168,892 B1	1/2007	MacDonald et al.	2009/0308015 A1	12/2009	MacDonald et al.
D556,919 S	12/2007	Price	2009/0313936 A1	12/2009	MacDonald et al.
7,328,537 B2	2/2008	Hammer	2010/0308502 A1	12/2010	Lacroix et al.
D574,517 S *	8/2008	Foster D25/113	2010/0310695 A1	12/2010	LaCroix et al.
7,448,830 B2	11/2008	MacDonald et al.	2011/0072753 A1	3/2011	MacDonald
			2011/0217127 A1	9/2011	MacDonald
			2011/0243669 A1	10/2011	Friederichs et al.

* cited by examiner

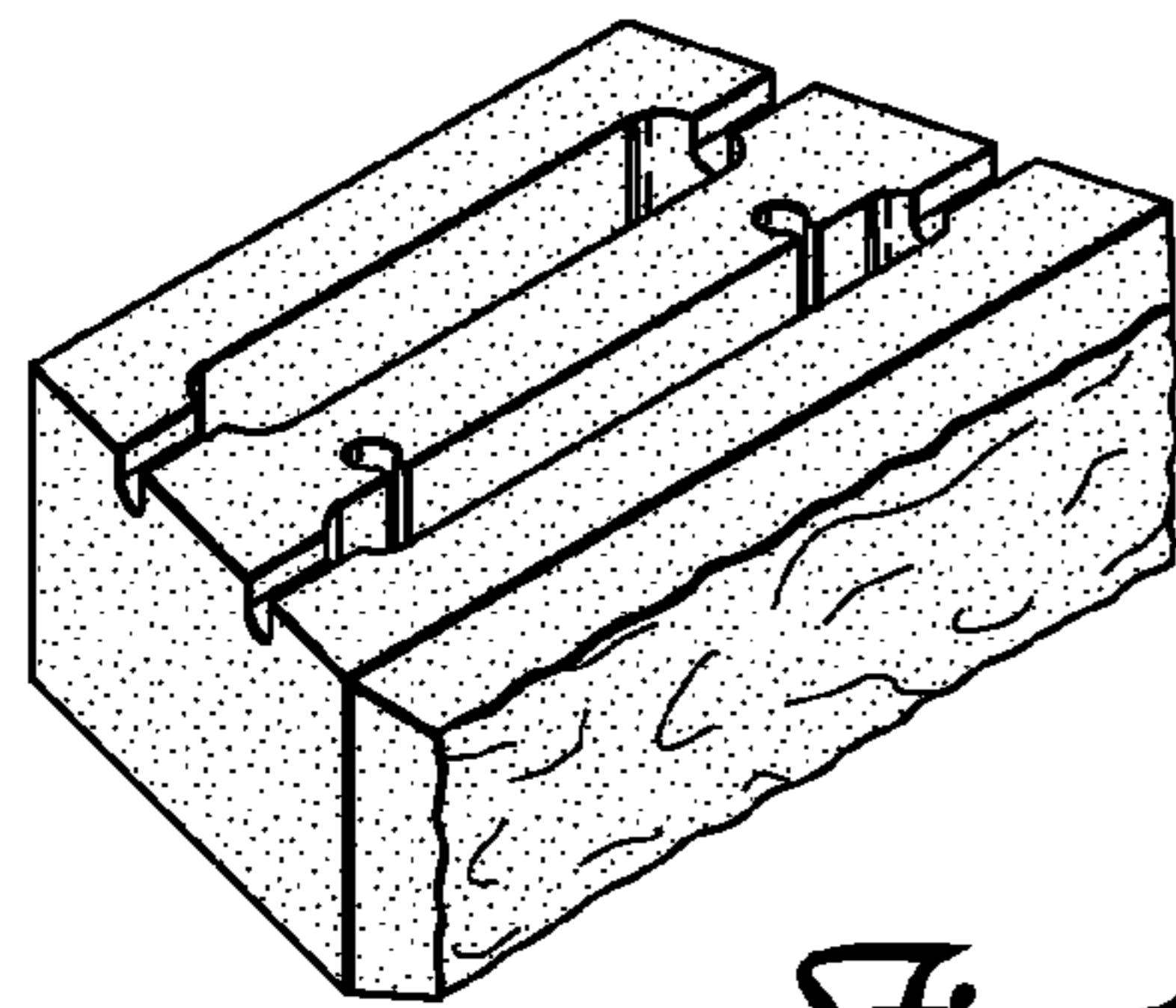


Fig. 1

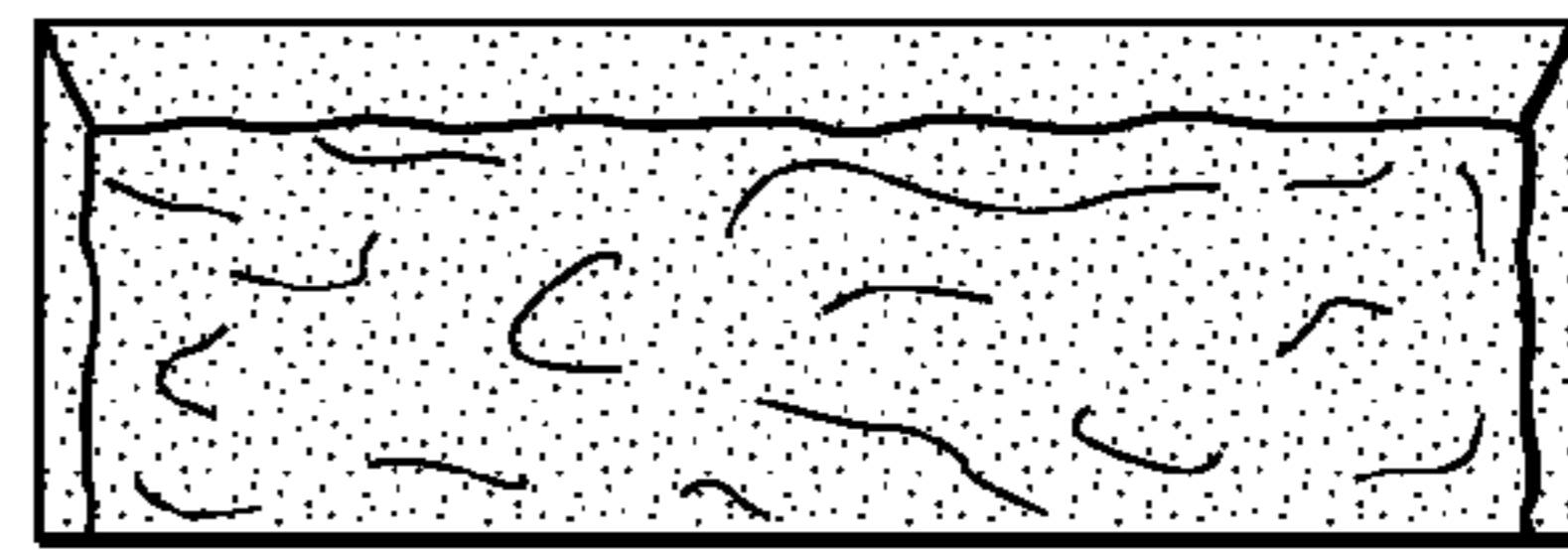


Fig. 2

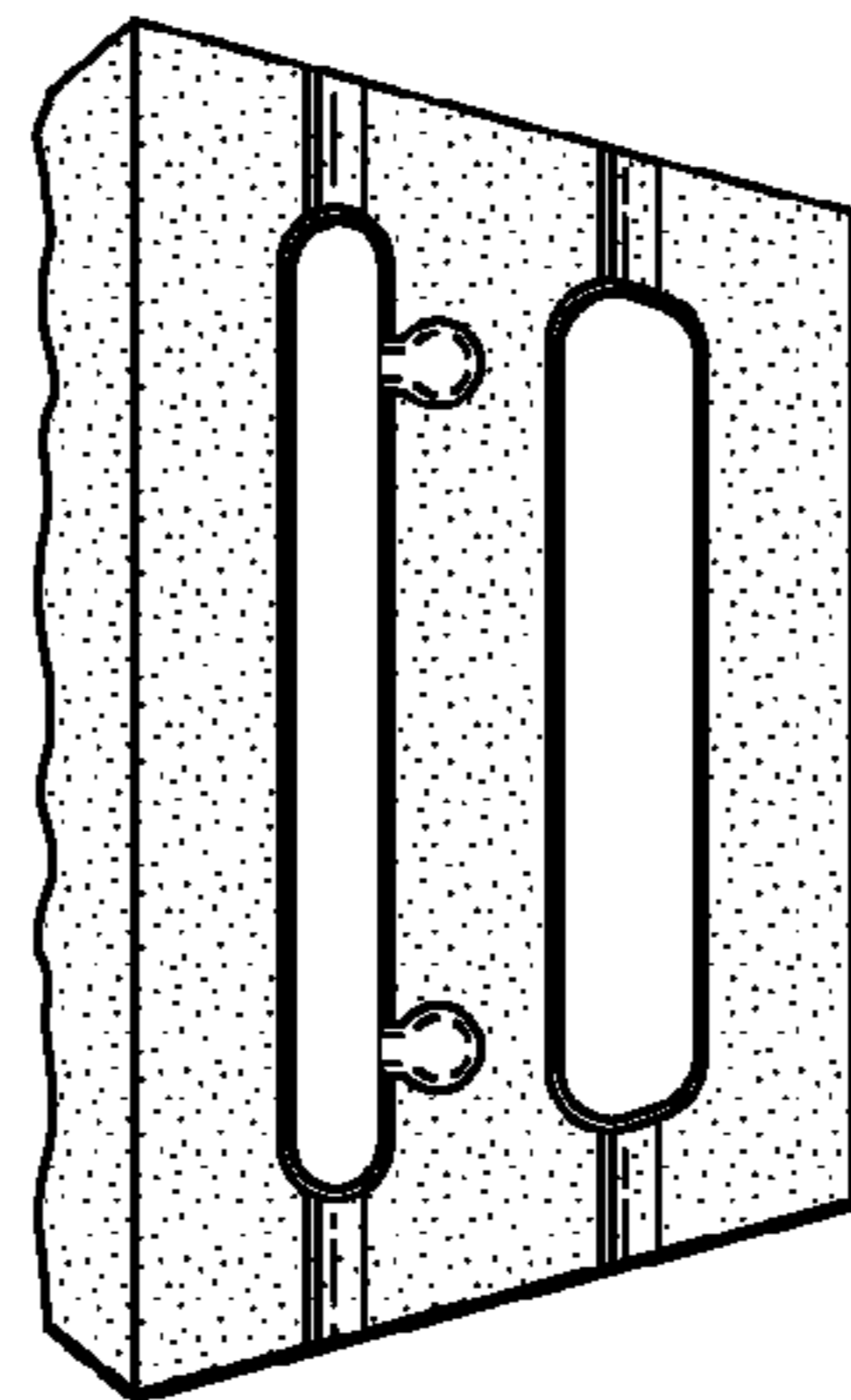


Fig. 3

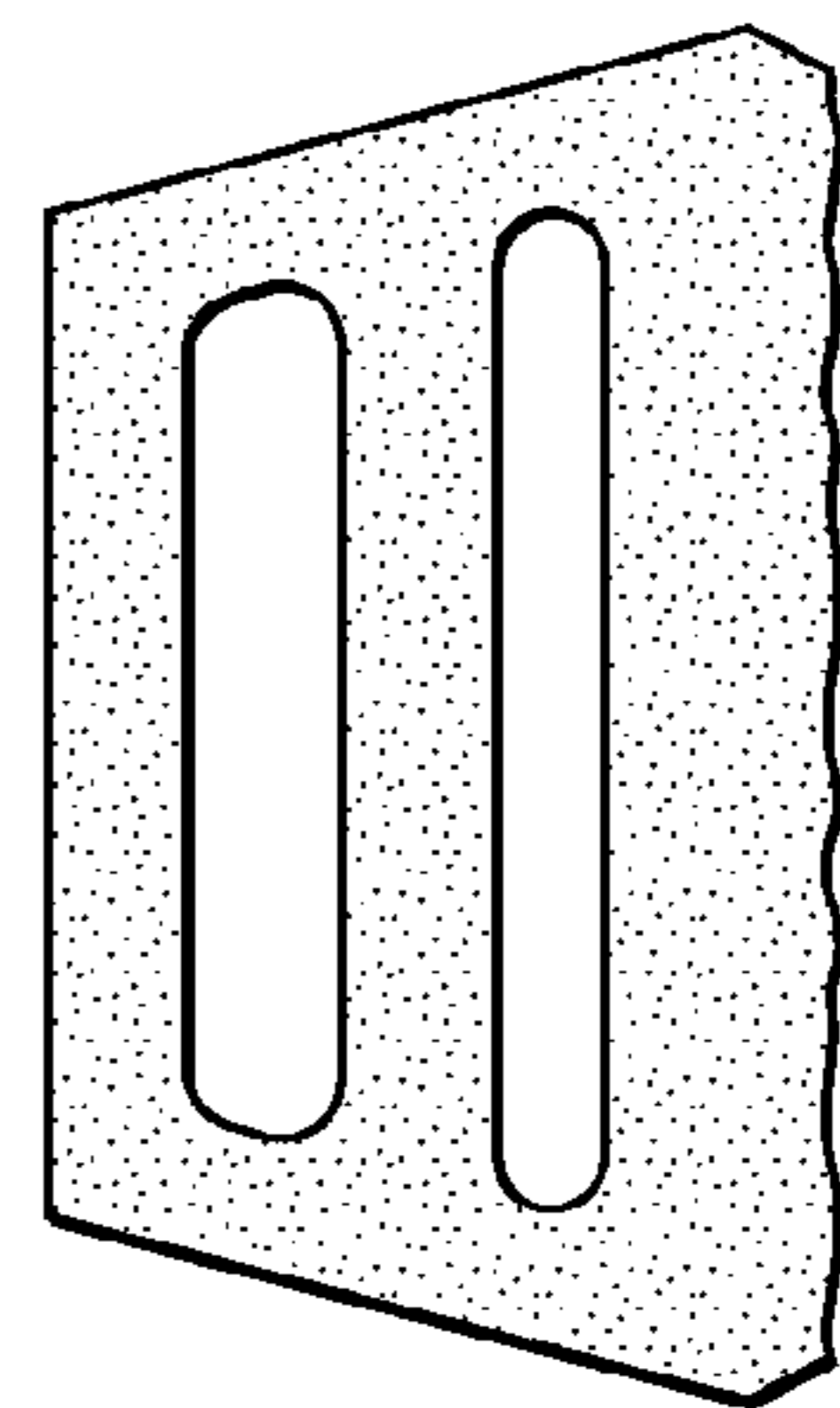


Fig. 4

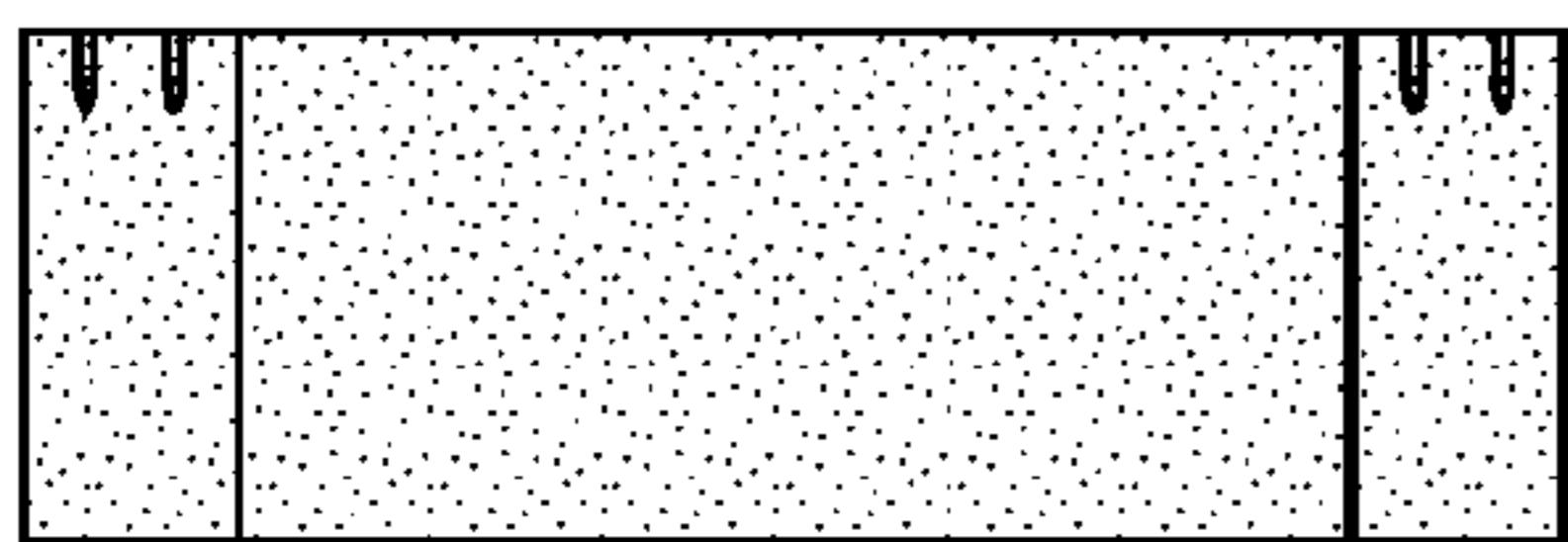


Fig. 5

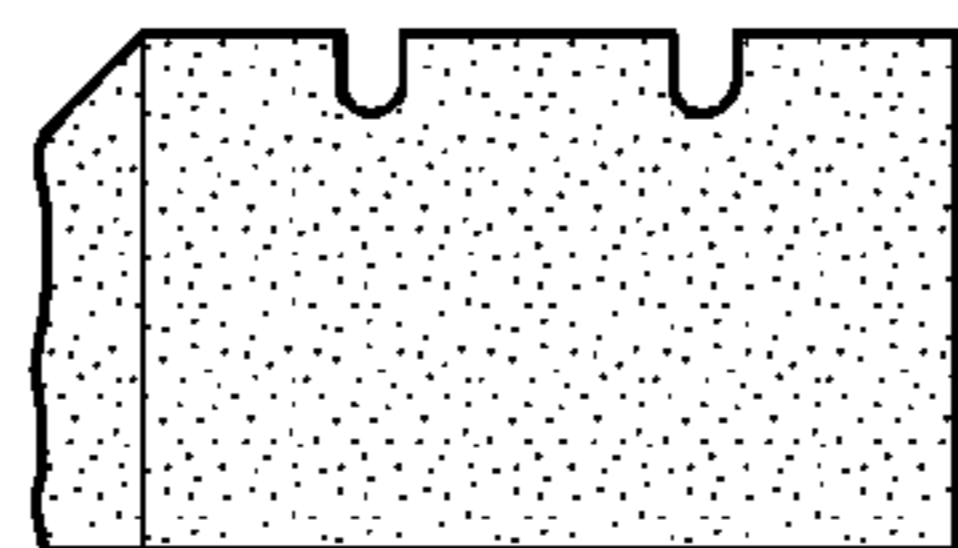


Fig. 6

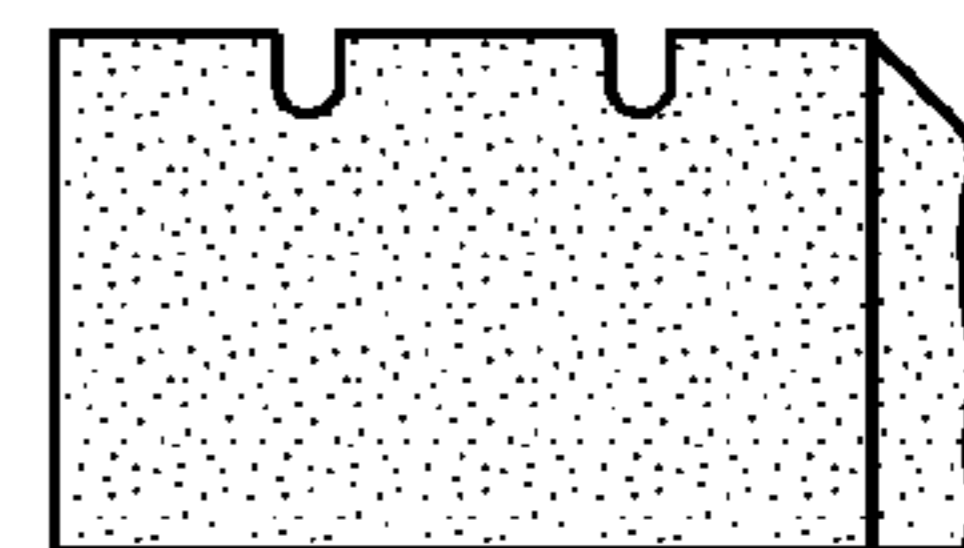


Fig. 7

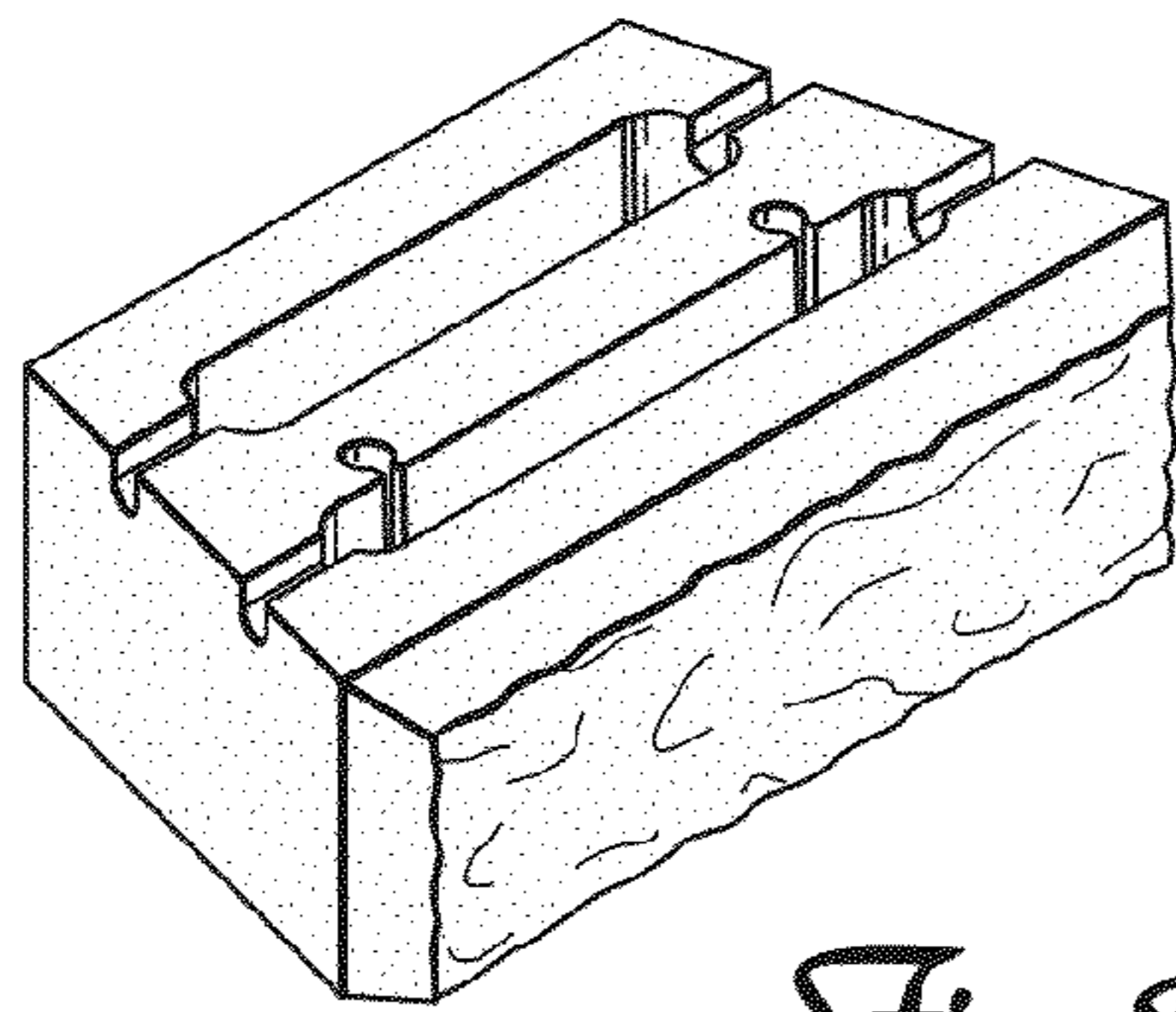


Fig. 8

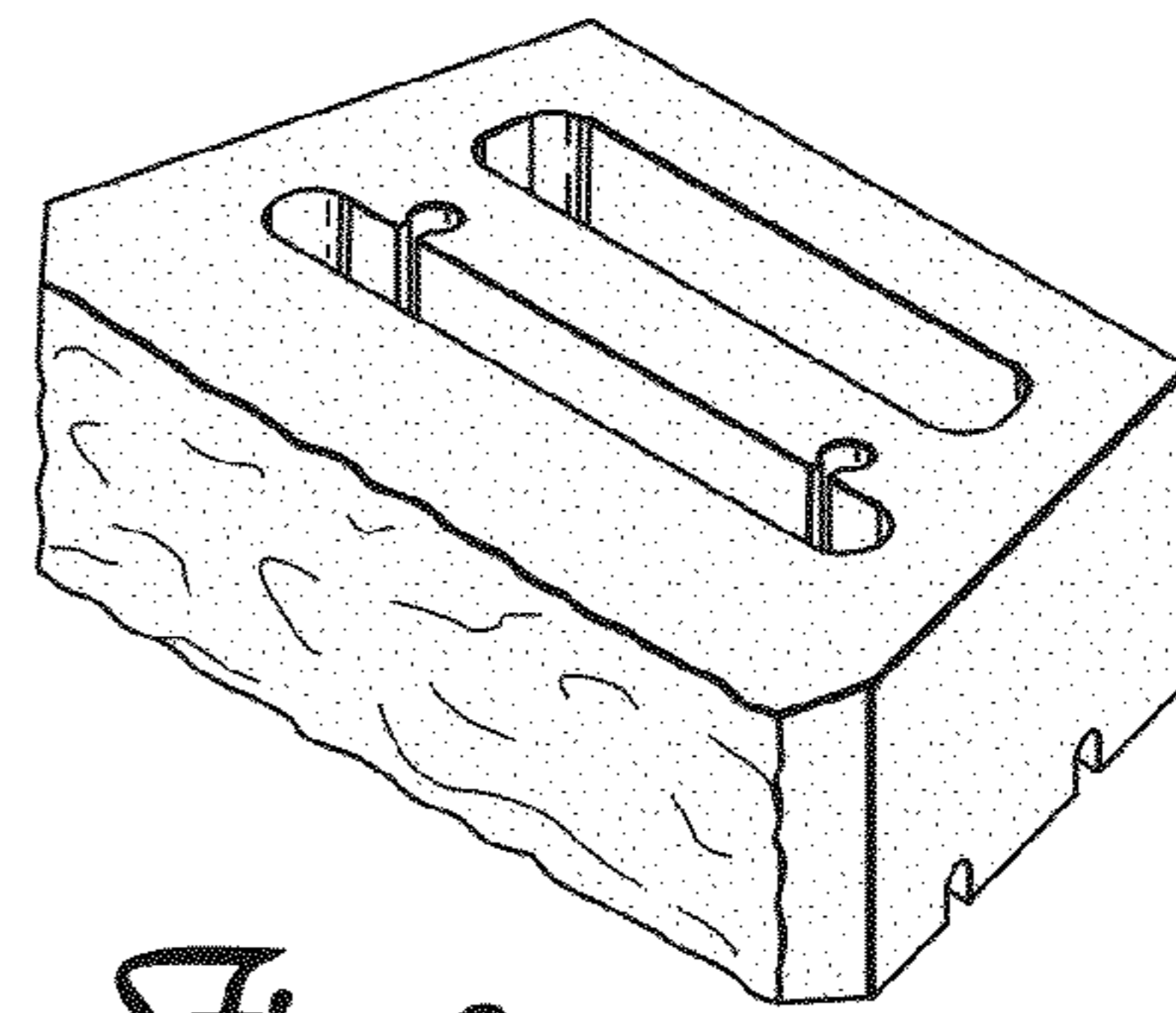


Fig. 9

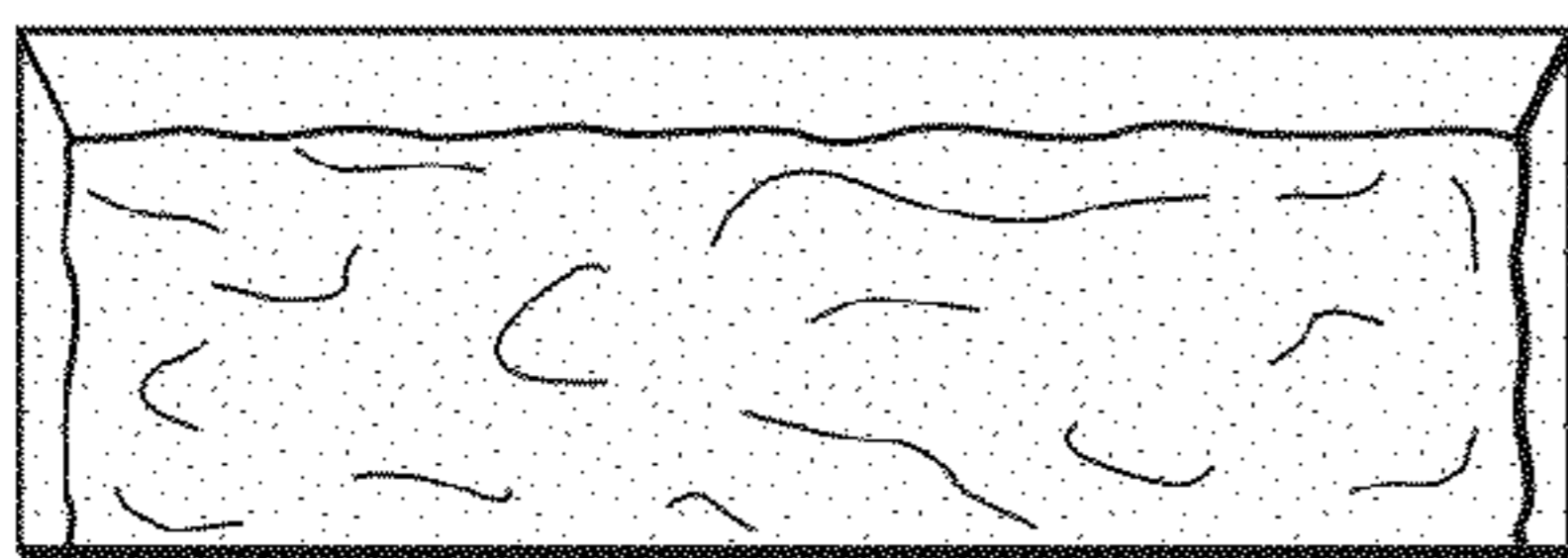


Fig. 10

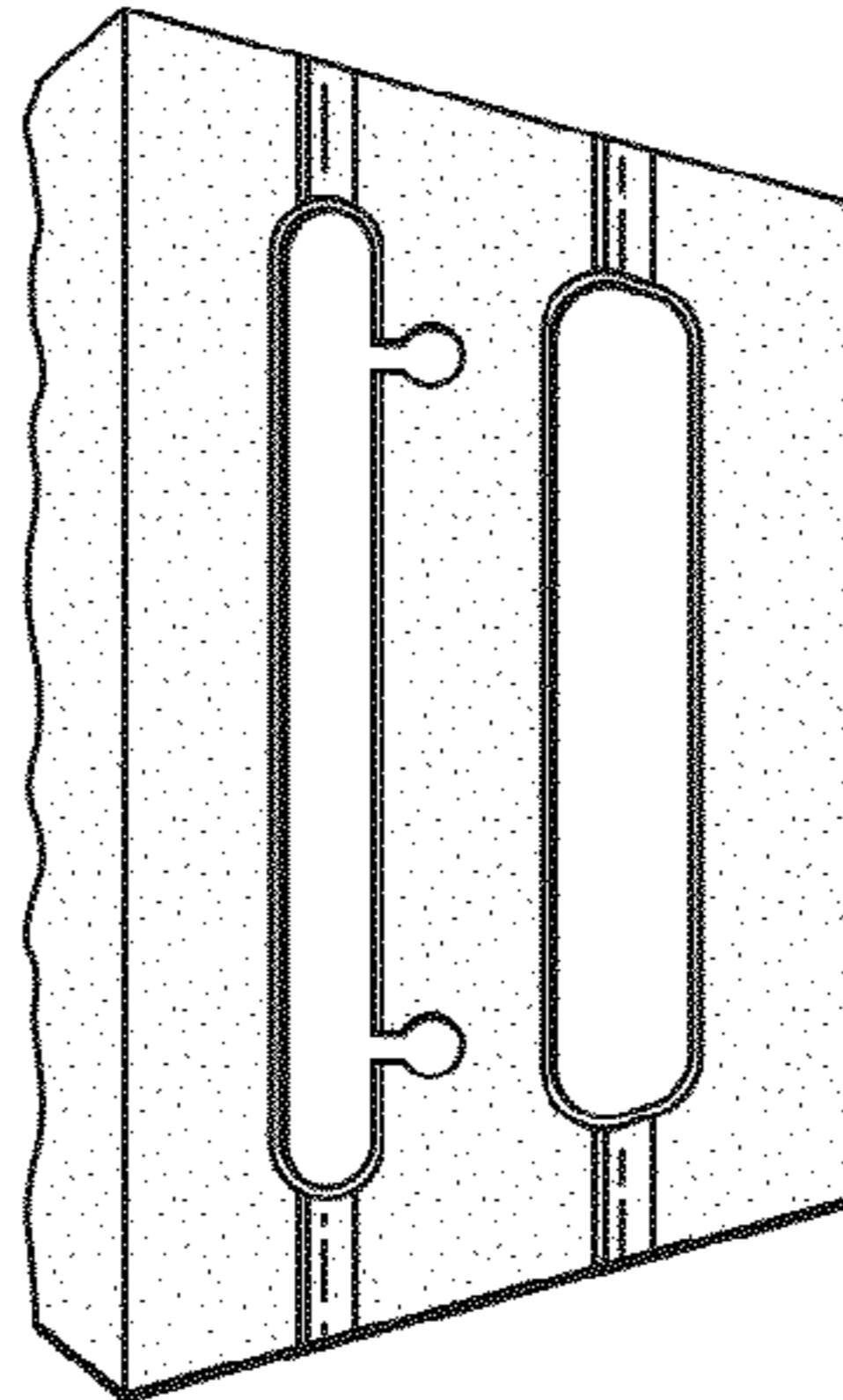


Fig. 11

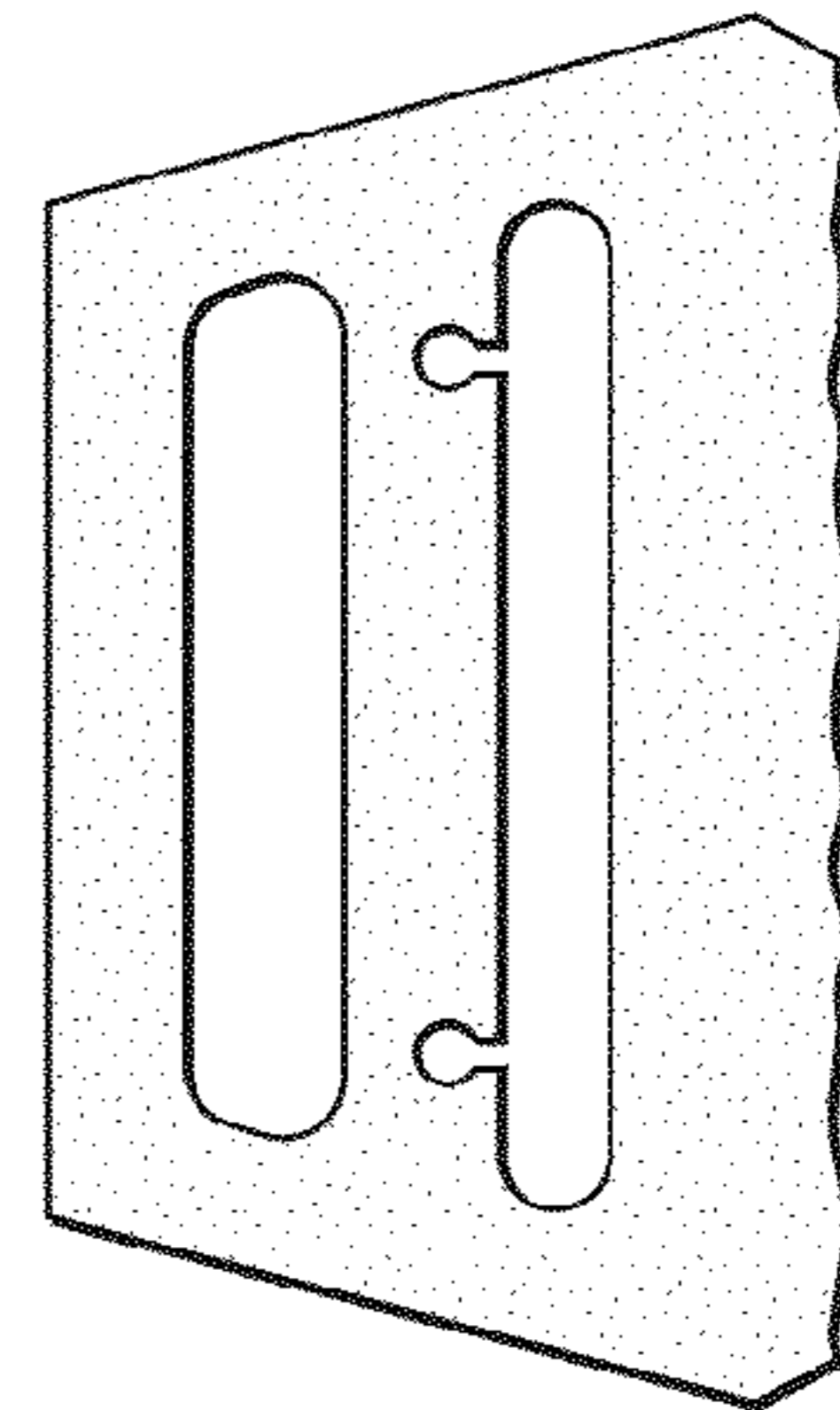


Fig. 12

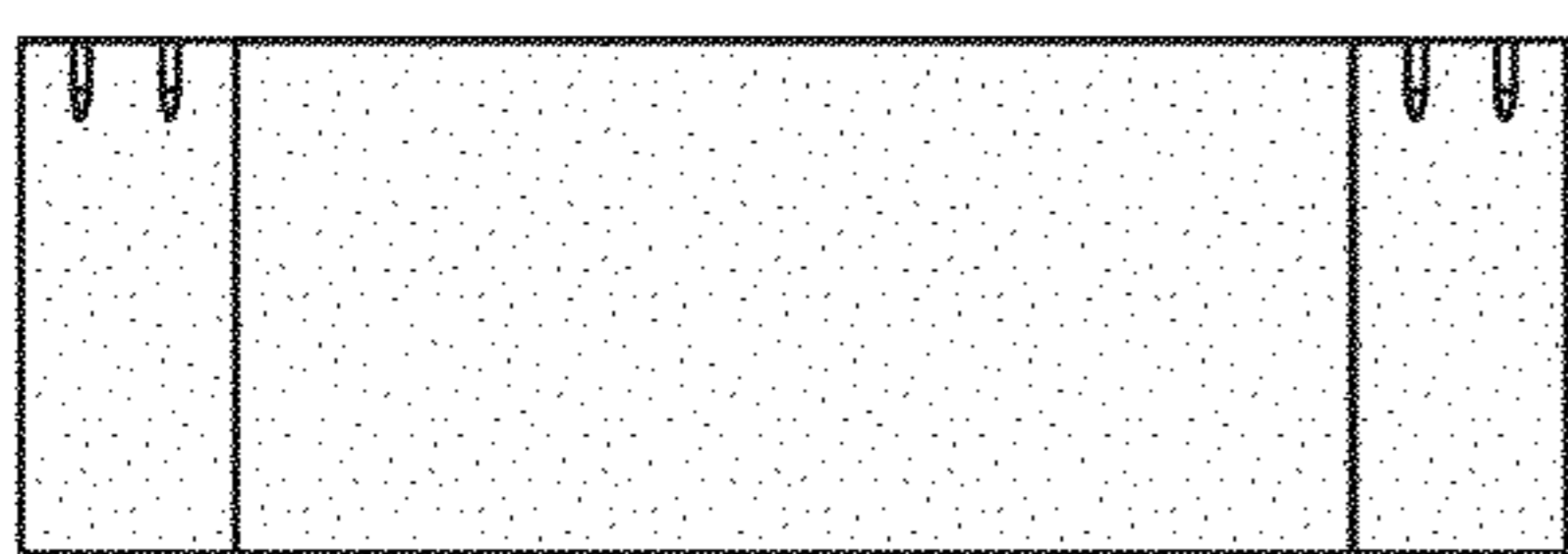


Fig. 13

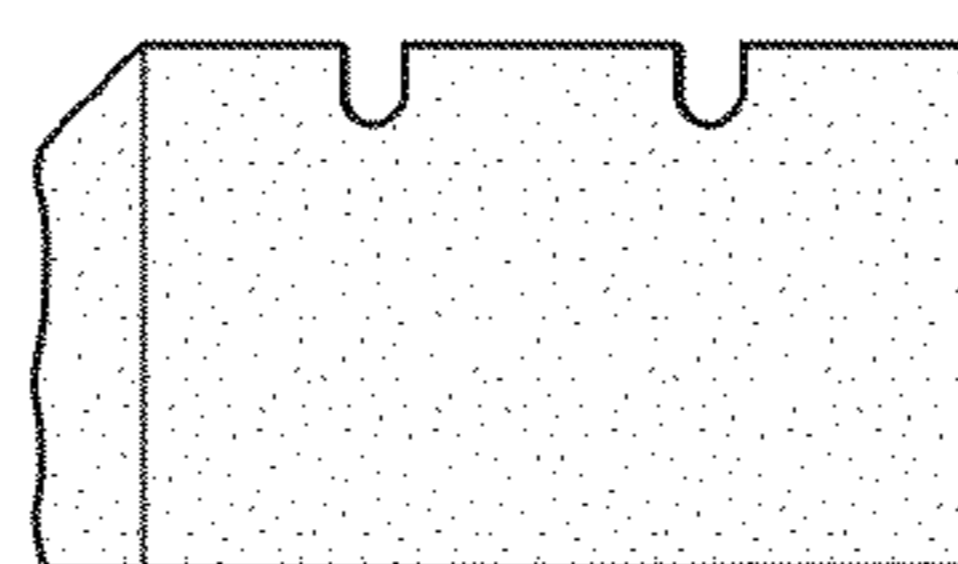


Fig. 14

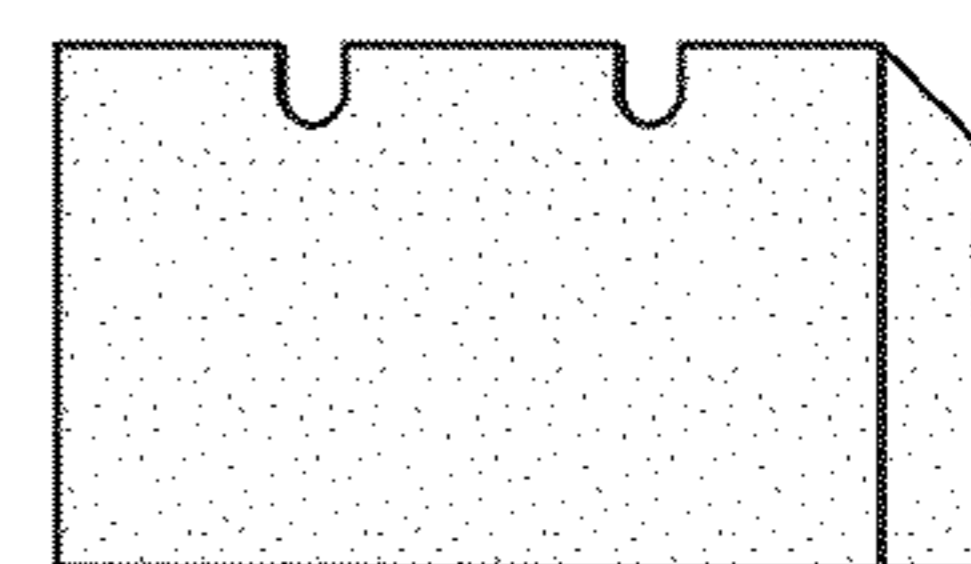


Fig. 15