



US00D688812S

(12) **United States Design Patent**
MacDonald

(10) **Patent No.:** **US D688,812 S**

(45) **Date of Patent:** **** Aug. 27, 2013**

- (54) **LANDSCAPING BLOCK**
- (75) Inventor: **Robert A. MacDonald**, Plymouth, MN (US)
- (73) Assignee: **Keystone Retaining Wall Systems LLC**, West Chester, OH (US)
- (**) Term: **14 Years**

- D381,086 S 7/1997 Forsberg
- D384,168 S 9/1997 Stevenson
- D387,434 S 12/1997 Dawson
- 5,707,184 A 1/1998 Anderson et al.
- D397,230 S 8/1998 Forsberg
- D397,451 S 8/1998 Stevenson
- D397,808 S 9/1998 Dawson
- 5,865,006 A 2/1999 Dawson
- 5,913,790 A 6/1999 Dawson
- 5,941,042 A 8/1999 Dueck

(Continued)

- (21) Appl. No.: **29/418,679**
- (22) Filed: **Apr. 19, 2012**
- (51) **LOC (9) Cl.** **25-01**
- (52) **U.S. Cl.**
USPC **D25/114**
- (58) **Field of Classification Search**
USPC D25/102-118, 136, 138, 140, 151,
D25/152, 153, 156-162, 164; D21/484-491,
D21/499-504; 405/16, 284, 286; 52/503-505,
52/574, 575, 596-612; 404/27-42
See application file for complete search history.

Primary Examiner — Anhdao Doan

(74) *Attorney, Agent, or Firm* — Popovich, Wiles & O'Connell, P.A.

(57) **CLAIM**

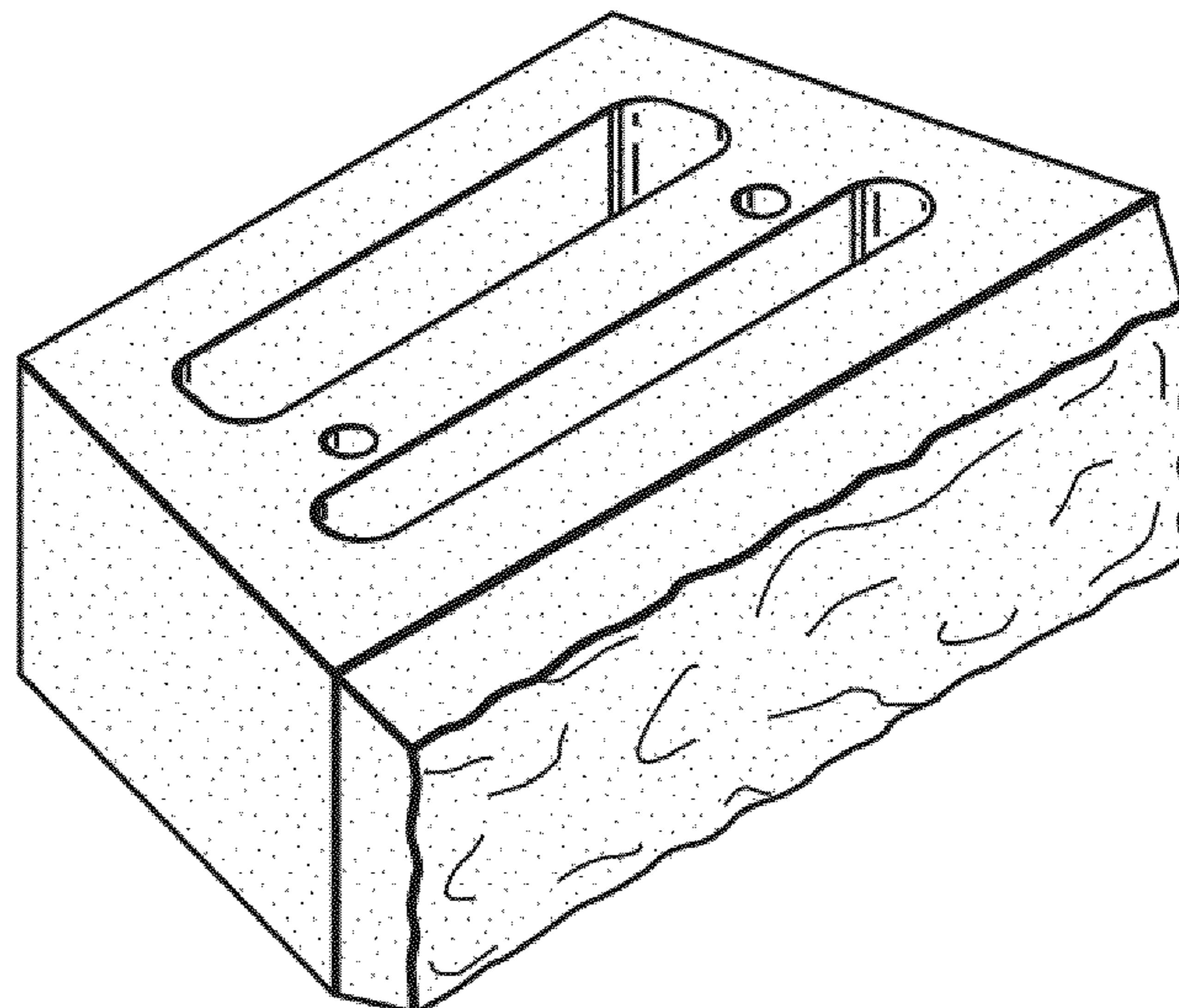
The ornamental design for a landscaping block, as shown and described.

DESCRIPTION

FIG. 1 is a front top perspective view of an embodiment of a landscaping block according to my new design;
 FIG. 2 is a front view thereof;
 FIG. 3 is a top plan view thereof;
 FIG. 4 is a bottom plan view thereof;
 FIG. 5 is a rear elevational view thereof;
 FIG. 6 is a left side elevational view thereof; and
 FIG. 7 is a right side elevational view thereof.
 FIG. 8 is a front top perspective view of an embodiment of a landscaping block according to my new design;
 FIG. 9 is a front view thereof;
 FIG. 10 is a top plan view thereof;
 FIG. 11 is a bottom plan view thereof;
 FIG. 12 is a rear elevational view thereof;
 FIG. 13 is a left side elevational view thereof; and,
 FIG. 14 is a right side elevational view thereof.
 The broken lines in FIG. 3 are included for the purpose of illustrating portions of the landscaping block that form no part of the claimed design.

- (56) **References Cited**
U.S. PATENT DOCUMENTS
- 1,385,299 A 7/1921 Bilque
- D296,007 S 5/1988 Forsberg
- D301,064 S 5/1989 Forsberg
- D319,885 S 9/1991 Blomquist et al.
- D321,060 S 10/1991 Blomquist et al.
- 5,161,918 A 11/1992 Hodel
- 5,214,898 A 6/1993 Beretta
- 5,252,017 A 10/1993 Hodel
- D341,215 S 11/1993 Blomquist et al.
- D346,667 S 5/1994 Blomquist et al.
- D347,070 S 5/1994 Anderson et al.
- D350,402 S 9/1994 Pribyl et al.
- 5,568,994 A 10/1996 Dawson
- 5,595,460 A 1/1997 Miller et al.
- 5,601,384 A 2/1997 Dawson
- 5,619,835 A 4/1997 Bailey, II et al.
- D380,560 S 7/1997 Forsberg

1 Claim, 2 Drawing Sheets



(56)

References Cited

U.S. PATENT DOCUMENTS

5,984,589	A	11/1999	Ciccarello	7,641,178	B2	1/2010	MacDonald et al.
6,019,550	A	2/2000	Wrigley et al.	D610,710	S	2/2010	LaCroix et al.
6,035,599	A	3/2000	Sonnentag	7,654,776	B2	2/2010	MacDonald et al.
D430,308	S	8/2000	Dawson	D615,669	S	5/2010	Caggiano
D433,158	S	10/2000	Hammer	D620,135	S	7/2010	Adam
6,149,352	A	11/2000	MacDonald	D620,615	S	7/2010	MacDonald et al.
D439,678	S	3/2001	Blomquist et al.	D621,070	S	8/2010	MacDonald et al.
D452,332	S	12/2001	Blomquist et al.	7,780,141	B2	8/2010	Dawson et al.
D458,387	S	6/2002	Blomquist et al.	7,934,351	B2	5/2011	Clarno
D467,009	S	12/2002	Agee	7,971,407	B2	7/2011	MacDonald
6,488,448	B1	12/2002	Blomquist et al.	D645,575	S	9/2011	Bone
6,527,483	B1	3/2003	Agee	D647,218	S	10/2011	MacDonald
6,536,994	B2	3/2003	Race	D647,219	S	10/2011	MacDonald
D479,003	S	8/2003	Nordstrand	D663,858	S	7/2012	MacDonald
6,615,561	B2	9/2003	MacDonald et al.	D665,514	S	8/2012	MacDonald
6,622,445	B1	9/2003	Shillingburg et al.	D665,515	S	8/2012	MacDonald
6,701,687	B1	3/2004	Shillingburg	D667,138	S	9/2012	Rainey D25/113
6,709,201	B2	3/2004	Race	2002/0001509	A1	1/2002	Hong
D488,242	S	4/2004	MacDonald	2005/0102949	A1	5/2005	Whitson
D488,568	S	4/2004	MacDonald	2006/0110223	A1	5/2006	Dawson
D488,569	S	4/2004	Dawson	2008/0277561	A1	11/2008	MacDonald
D490,542	S	5/2004	MacDonald	2008/0289282	A1	11/2008	MacDonald
6,803,002	B2	10/2004	Suto et al.	2008/0302350	A1	12/2008	LaCroix
6,821,058	B1	11/2004	Dawson	2008/0307740	A1	12/2008	MacDonald
D501,935	S	2/2005	Dawson et al.	2008/0313988	A1	12/2008	MacDonald
6,854,231	B2	2/2005	MacDonald et al.	2008/0313988	A1	12/2008	MacDonald
6,912,823	B2	7/2005	MacDonald et al.	2009/0120029	A1	5/2009	LaCroix et al.
7,096,634	B2	8/2006	Dean, Jr.	2009/0151281	A1	6/2009	MacDonald et al.
7,168,892	B1	1/2007	MacDonald et al.	2009/0188196	A1	7/2009	MacDonald
D556,919	S	12/2007	Price	2009/0308015	A1	12/2009	MacDonald et al.
7,328,537	B2	2/2008	Hammer	2009/0313936	A1	12/2009	MacDonald et al.
D574,517	S	8/2008	Foster D25/113	2010/0308502	A1	12/2010	LaCroix et al.
7,448,830	B2	11/2008	MacDonald et al.	2010/0310695	A1	12/2010	LaCroix et al.
				2011/0072753	A1	3/2011	MacDonald
				2011/0217127	A1	9/2011	MacDonald
				2011/0243669	A1	10/2011	Friederichs et al.

* cited by examiner

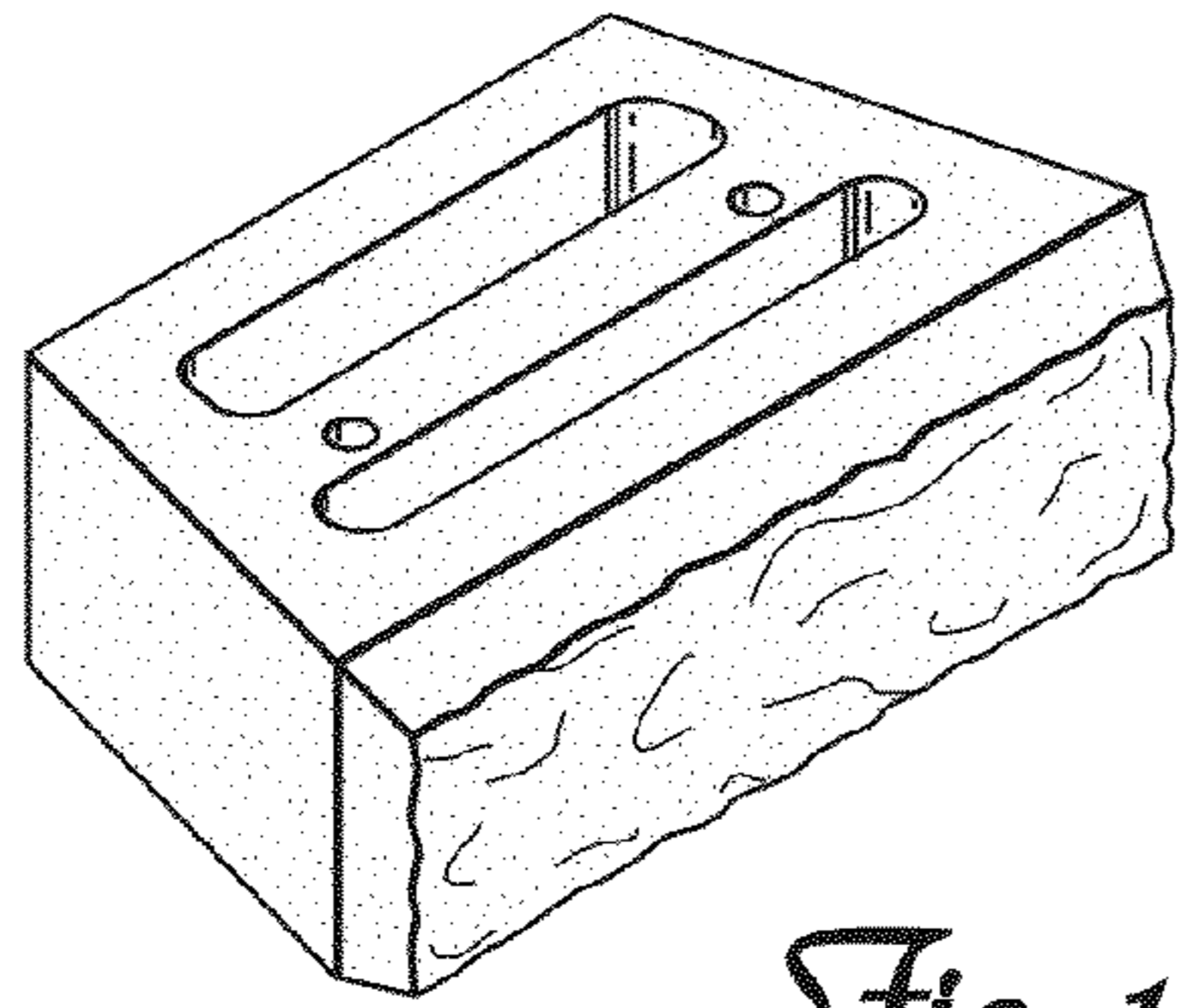


Fig. 1

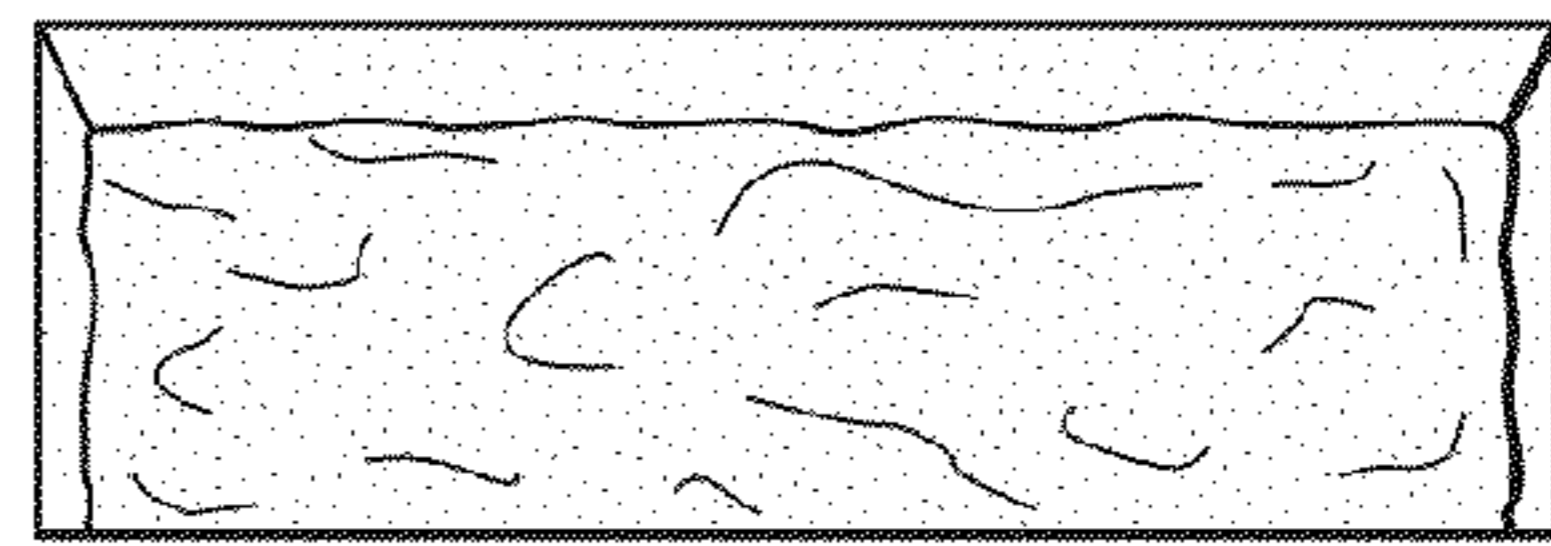


Fig. 2

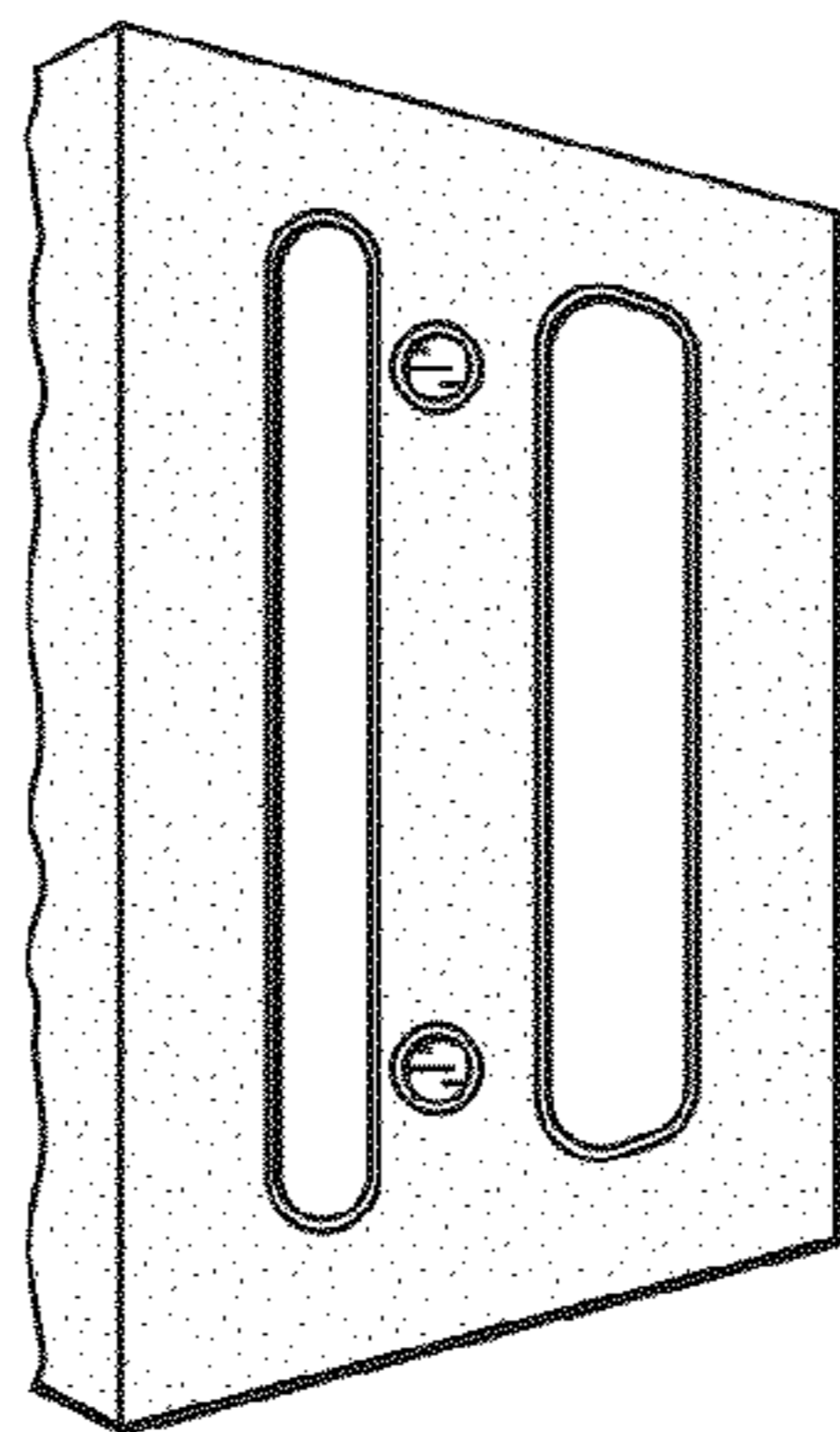


Fig. 3

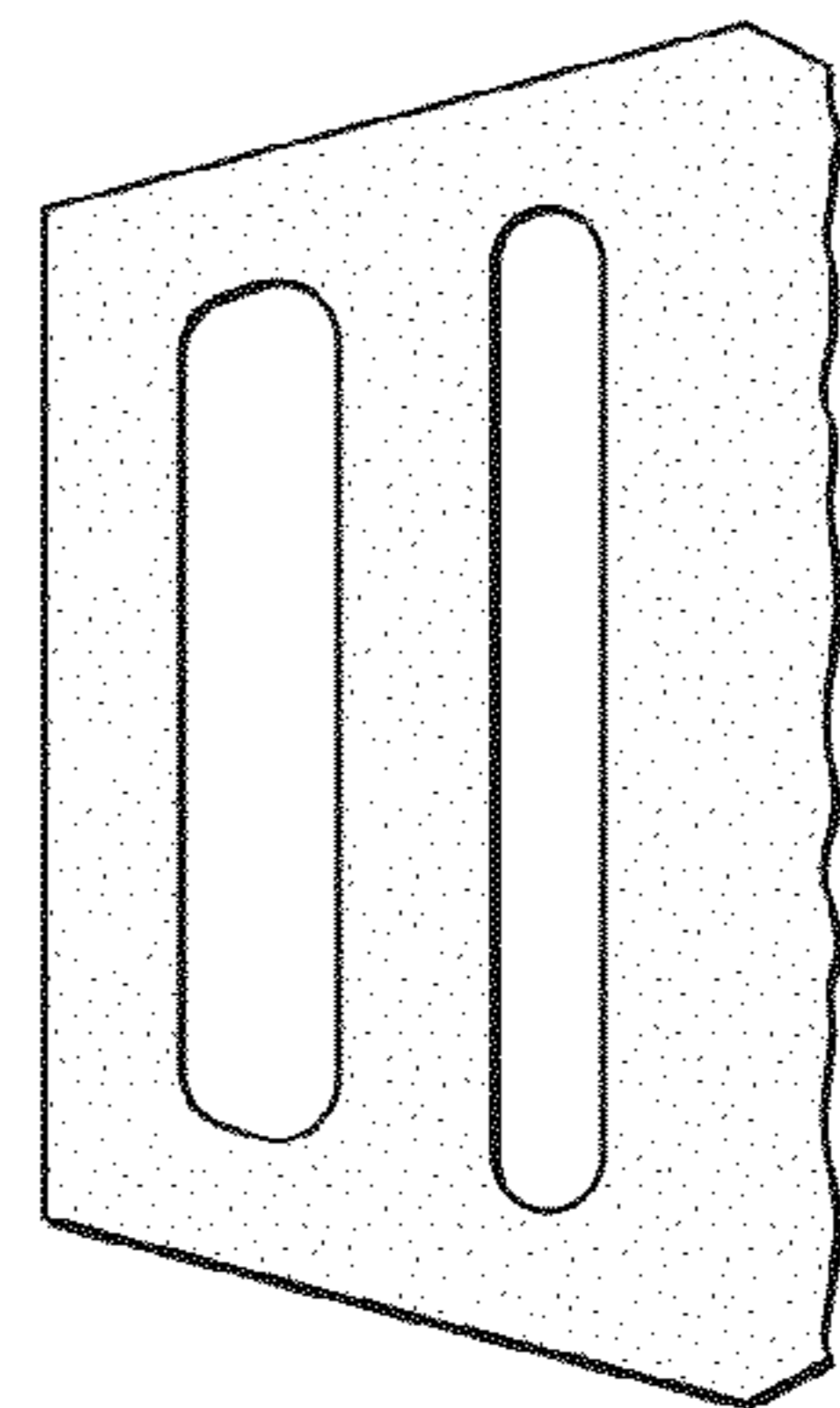


Fig. 4

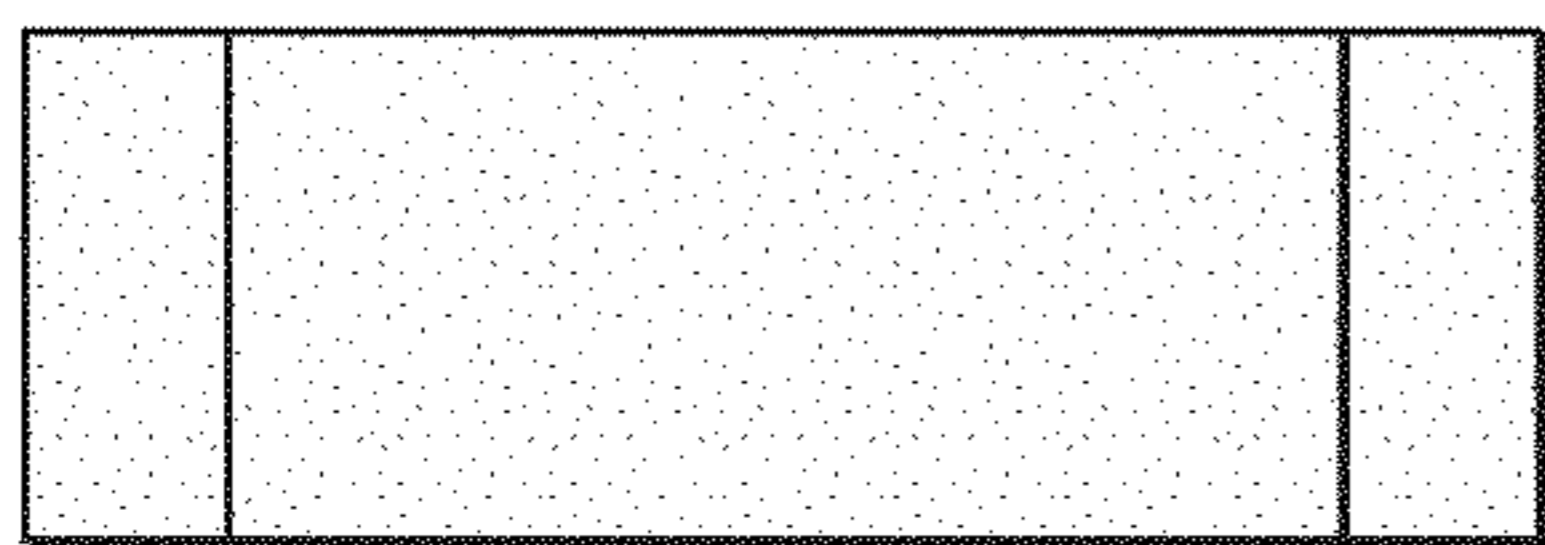


Fig. 5

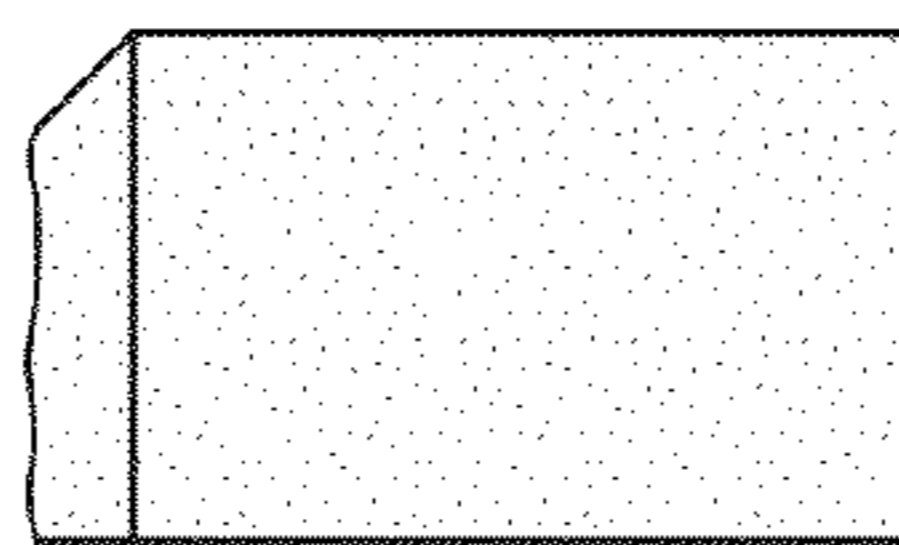


Fig. 6

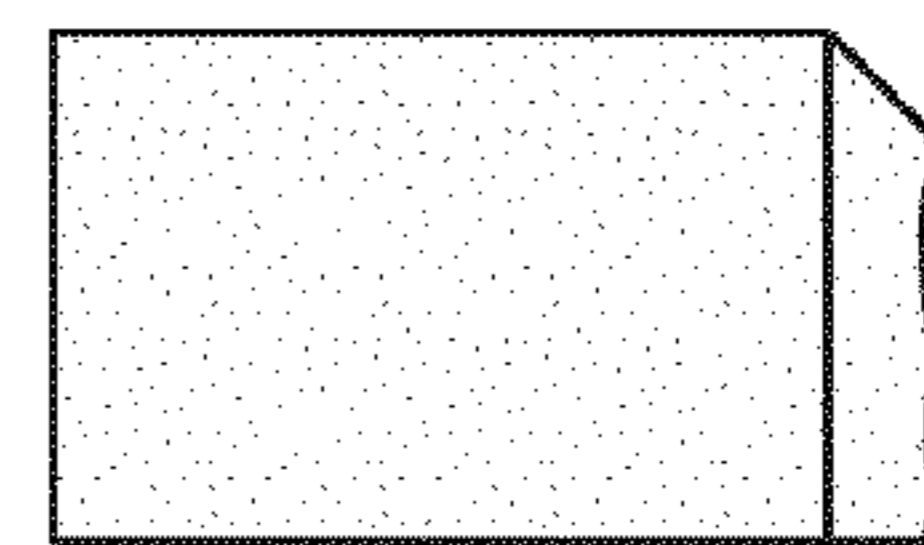


Fig. 7

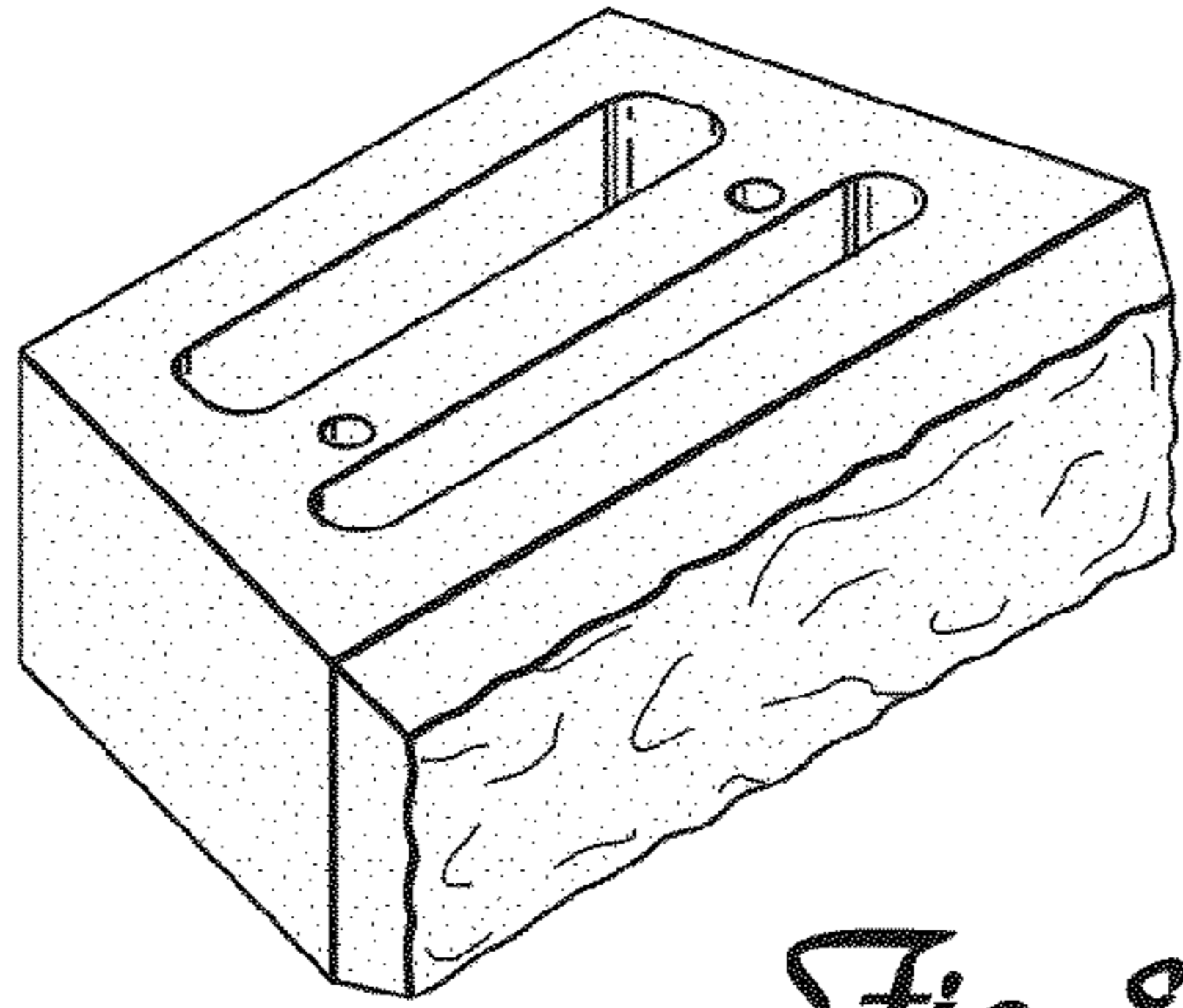


Fig. 8

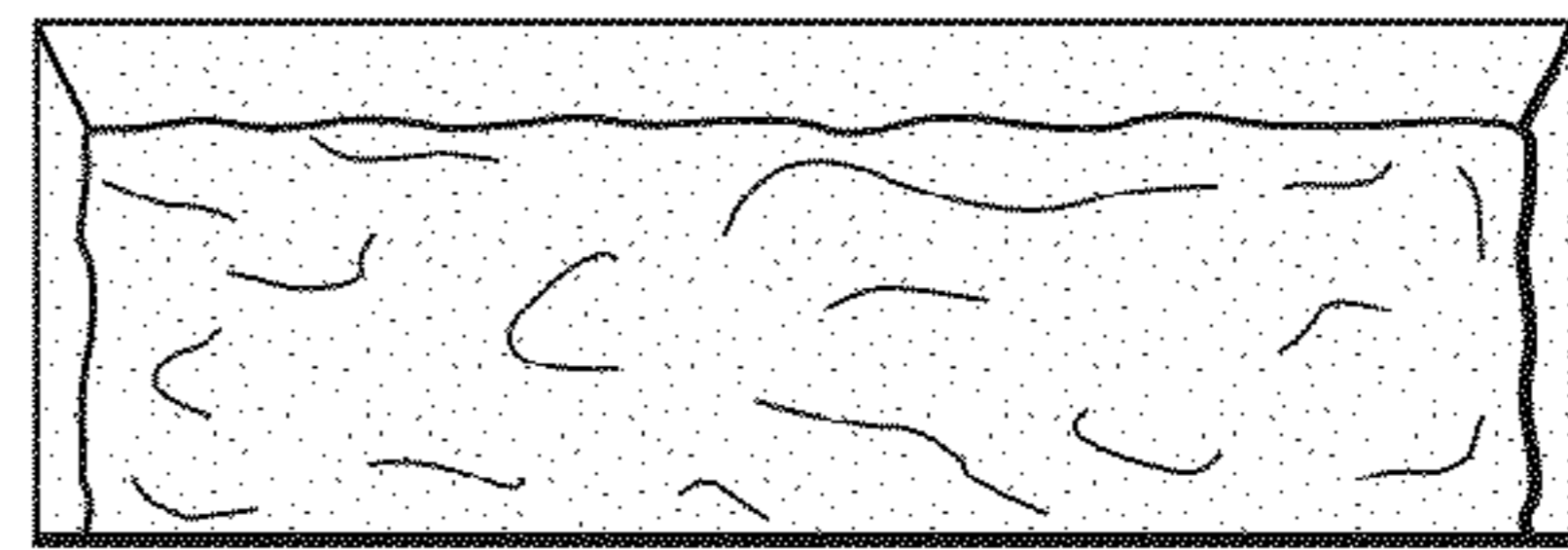


Fig. 9

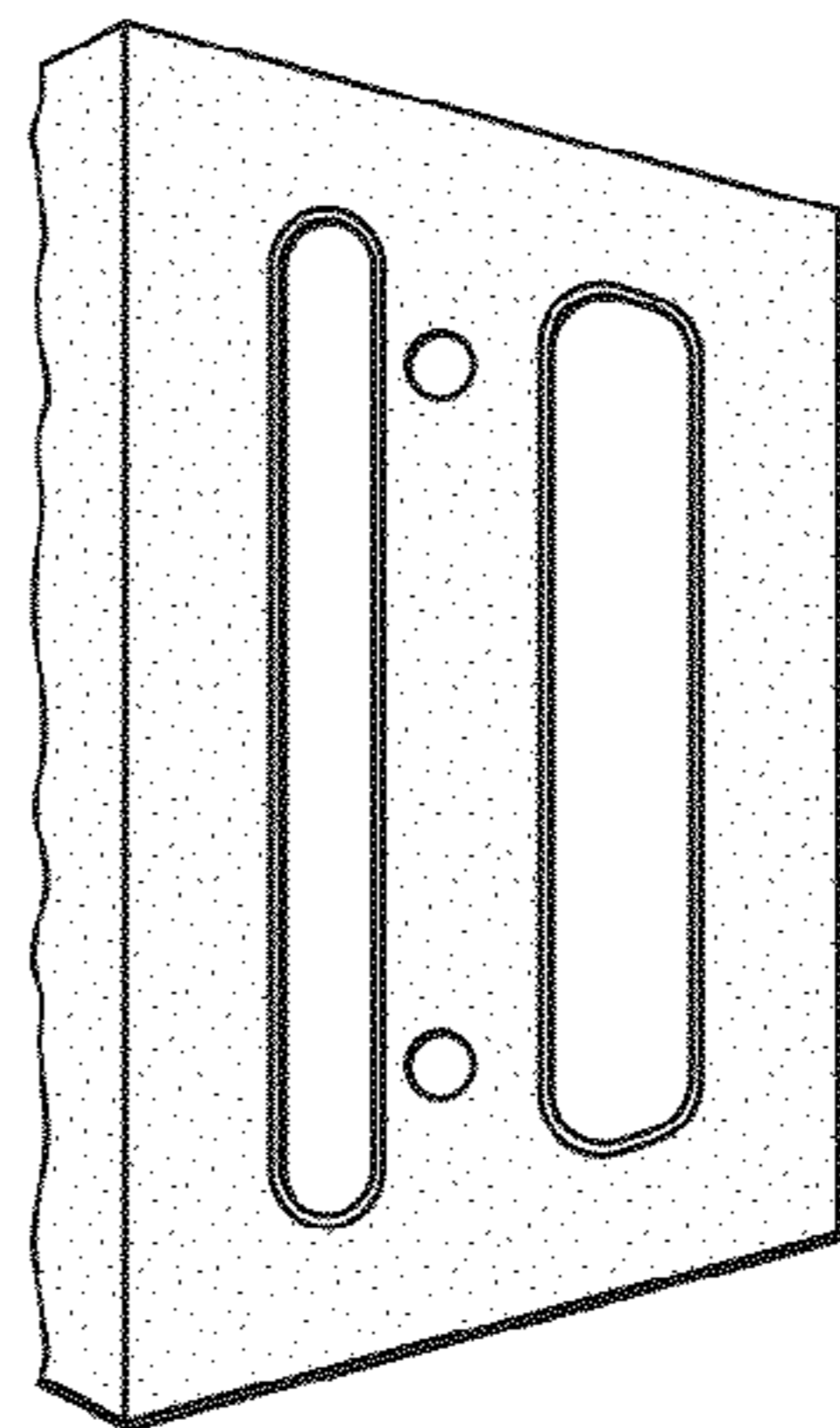


Fig. 10

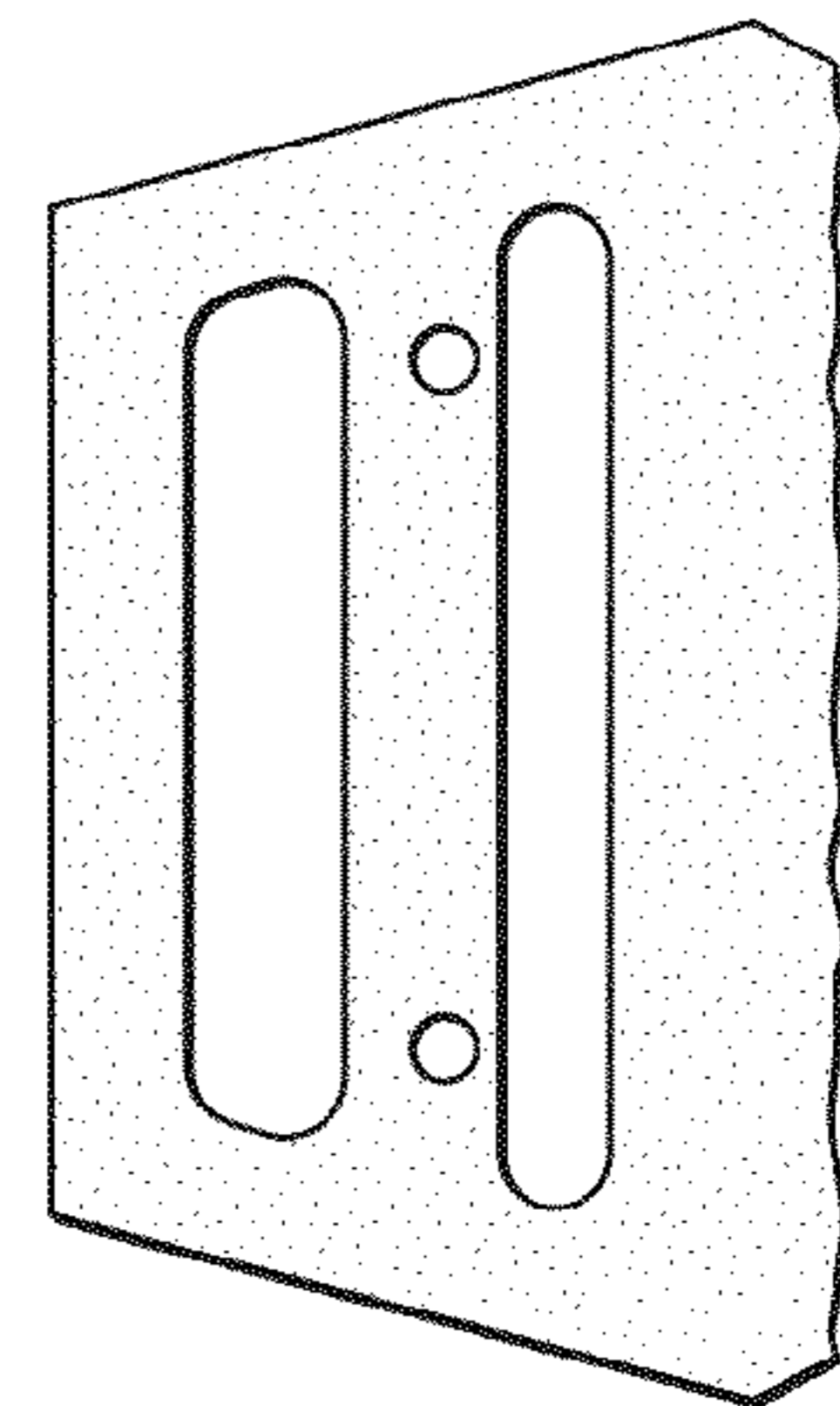


Fig. 11

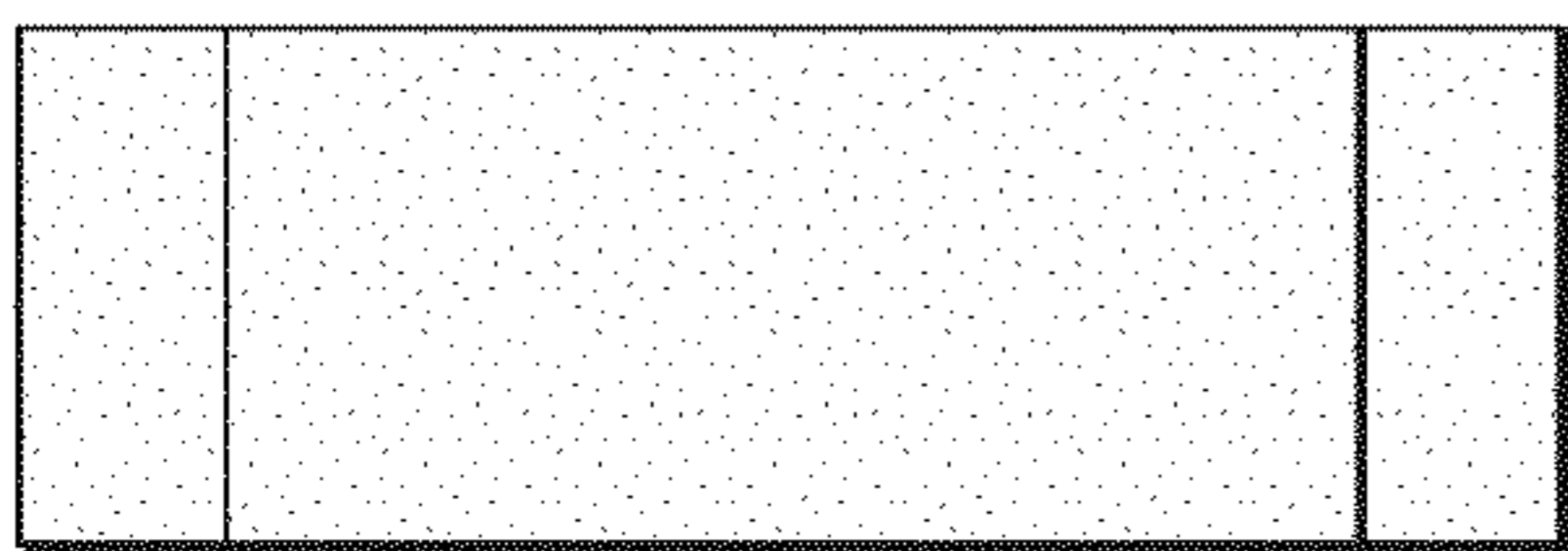


Fig. 12

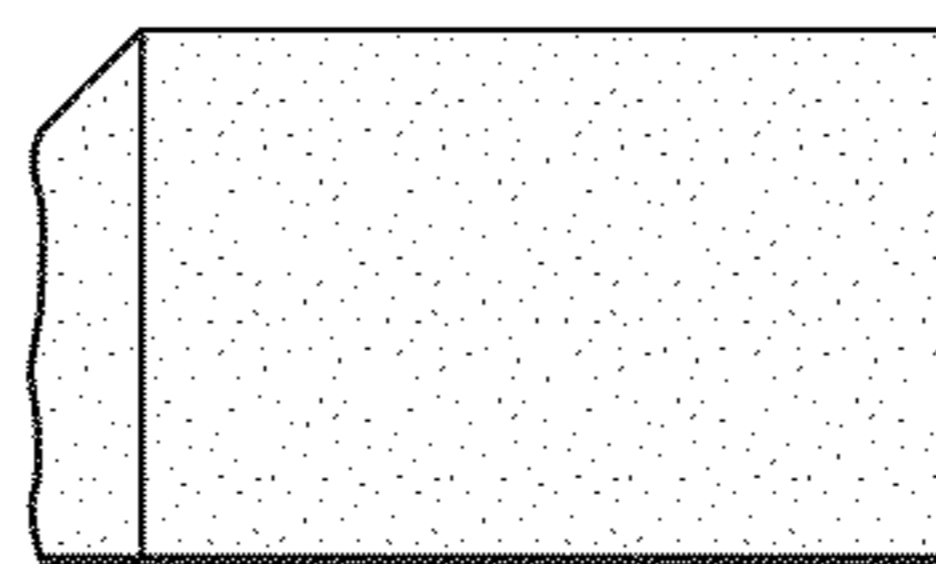


Fig. 13

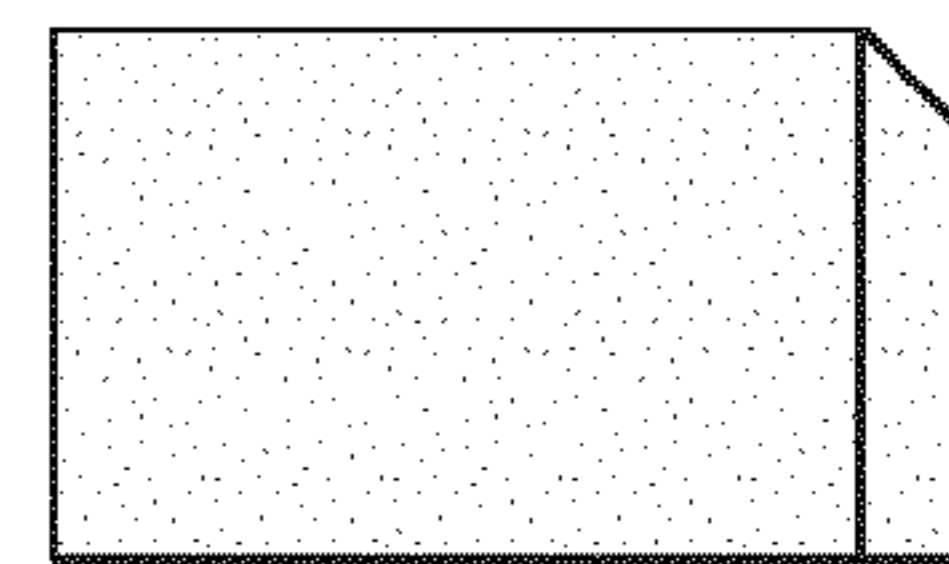


Fig. 14