



US00D688811S

(12) **United States Design Patent**
Ciccarello

(10) **Patent No.:** **US D688,811 S**

(45) **Date of Patent:** **** Aug. 27, 2013**

(54) **PAVING STONE**

(71) Applicant: **Techo-Bloc Inc.**, St. Hubert (CA)

(72) Inventor: **Charles Ciccarello**,
St-Jean-sur-Richelieu (CA)

(73) Assignee: **Techo-Bloc Inc.**, St. Hubert (CA)

(**) Term: **14 Years**

(21) Appl. No.: **29/438,154**

(22) Filed: **Nov. 27, 2012**

(30) **Foreign Application Priority Data**

Jul. 26, 2012 (CA) 146694

(51) **LOC (9) Cl.** **25-01**

(52) **U.S. Cl.**
USPC **D25/113**

(58) **Field of Classification Search**
USPC D25/102-118, 136, 138, 140, 151,
D25/152, 153, 156-162, 164; D21/484-491,
D21/499-504; 405/16, 284, 286; 52/503-505,
52/574, 575, 596-612; 404/27-42; D8/1

See application file for complete search history.

(56) **References Cited**

U.S. PATENT DOCUMENTS

D262,742	S *	1/1982	Vesterholt	D25/113
5,503,498	A *	4/1996	Scheiwiller	404/34
D431,305	S *	9/2000	Barth et al.	D25/113
6,988,847	B2 *	1/2006	Lazar	404/39
D521,592	S *	5/2006	Von Langsdorff	D25/113
D601,267	S *	9/2009	Merault	D25/113
D663,860	S *	7/2012	Thomassen	D25/113
2005/0193679	A1 *	9/2005	Langsdorff	52/605

* cited by examiner

Primary Examiner — Anhdao Doan

(74) *Attorney, Agent, or Firm* — Norton Rose Fulbright LLP

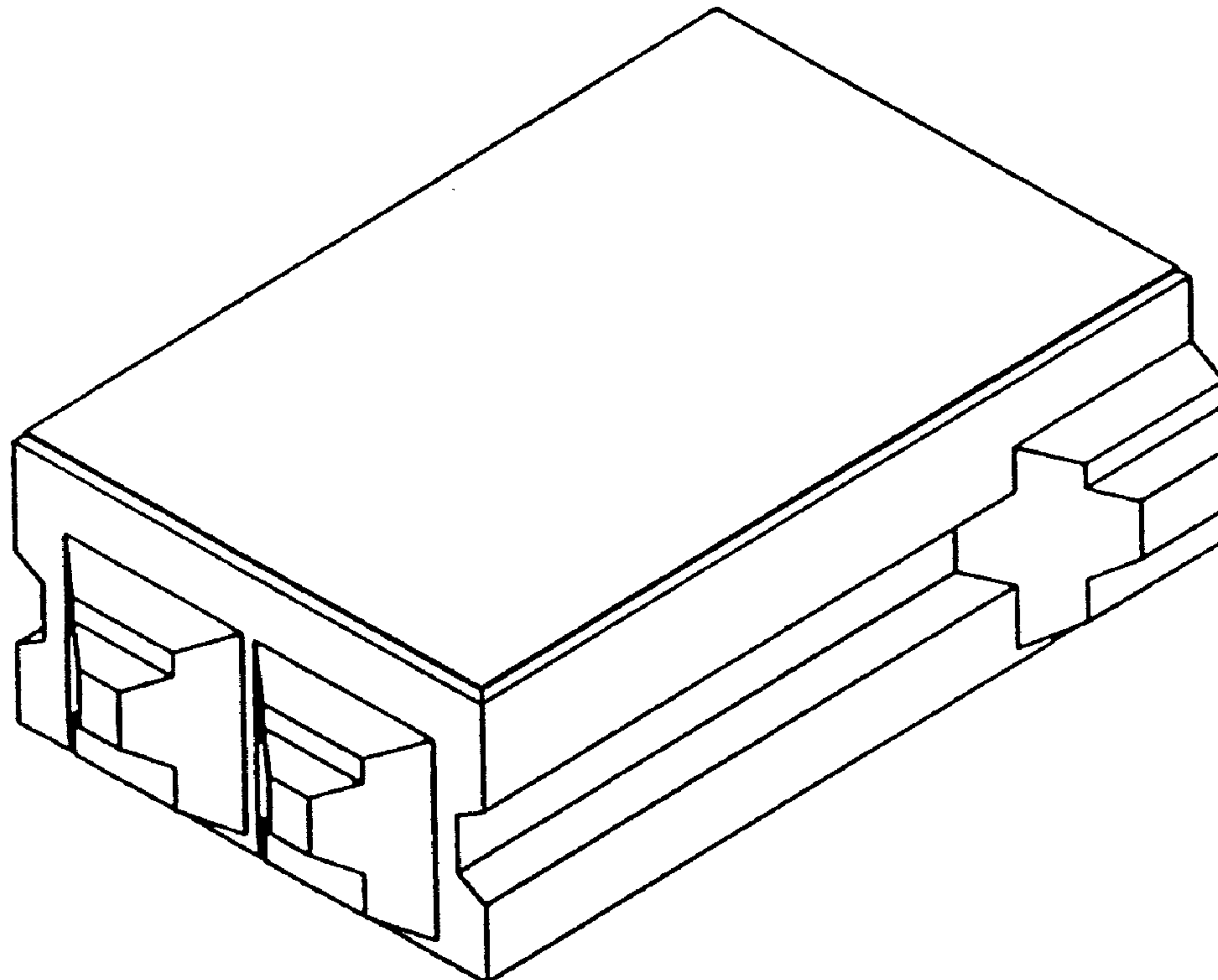
(57) **CLAIM**

The ornamental design for a paving stone, as shown and described.

DESCRIPTION

FIG. 1 is a top and front perspective view of the paving stone; FIG. 2 is a rear and bottom perspective view of the paving stone; FIG. 3 is a top view of the paving stone with the opposed bottom being identical; FIG. 4 is a side view of the paving stone, the opposed side being identical; FIG. 5 is a front end view of the paving stone; and, FIG. 6 is a rear end view of the paving stone.

1 Claim, 2 Drawing Sheets



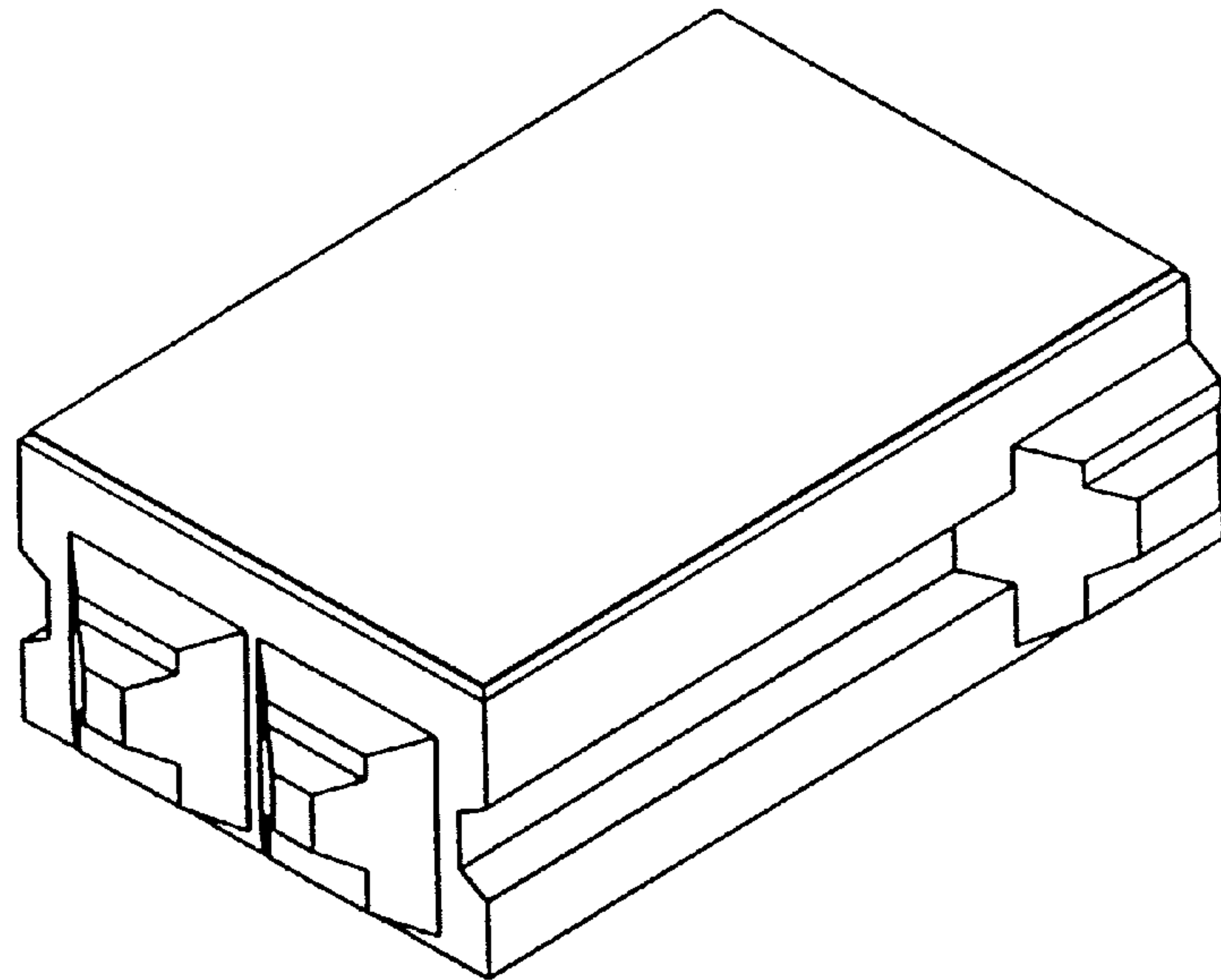


FIG. 1

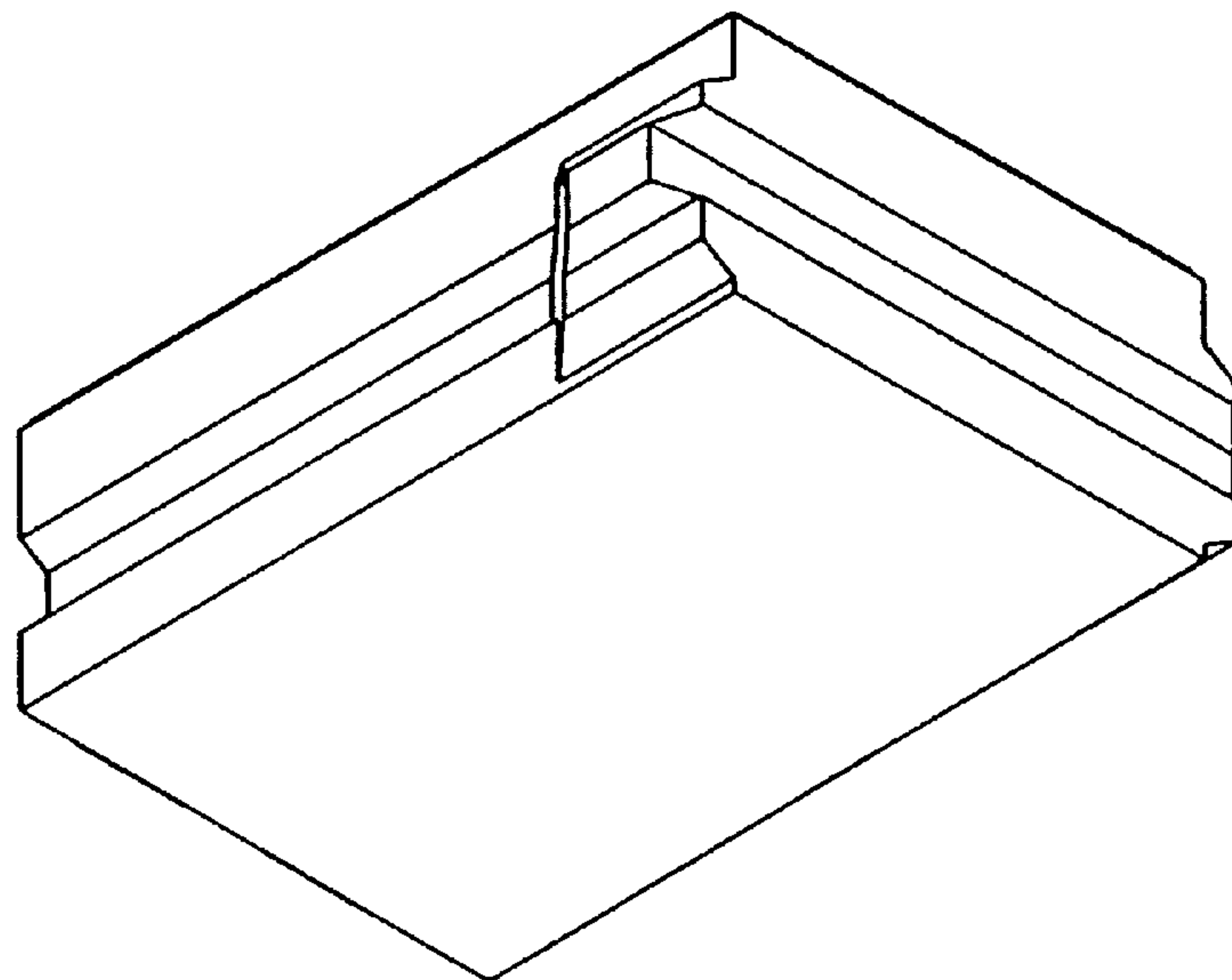


FIG. 2

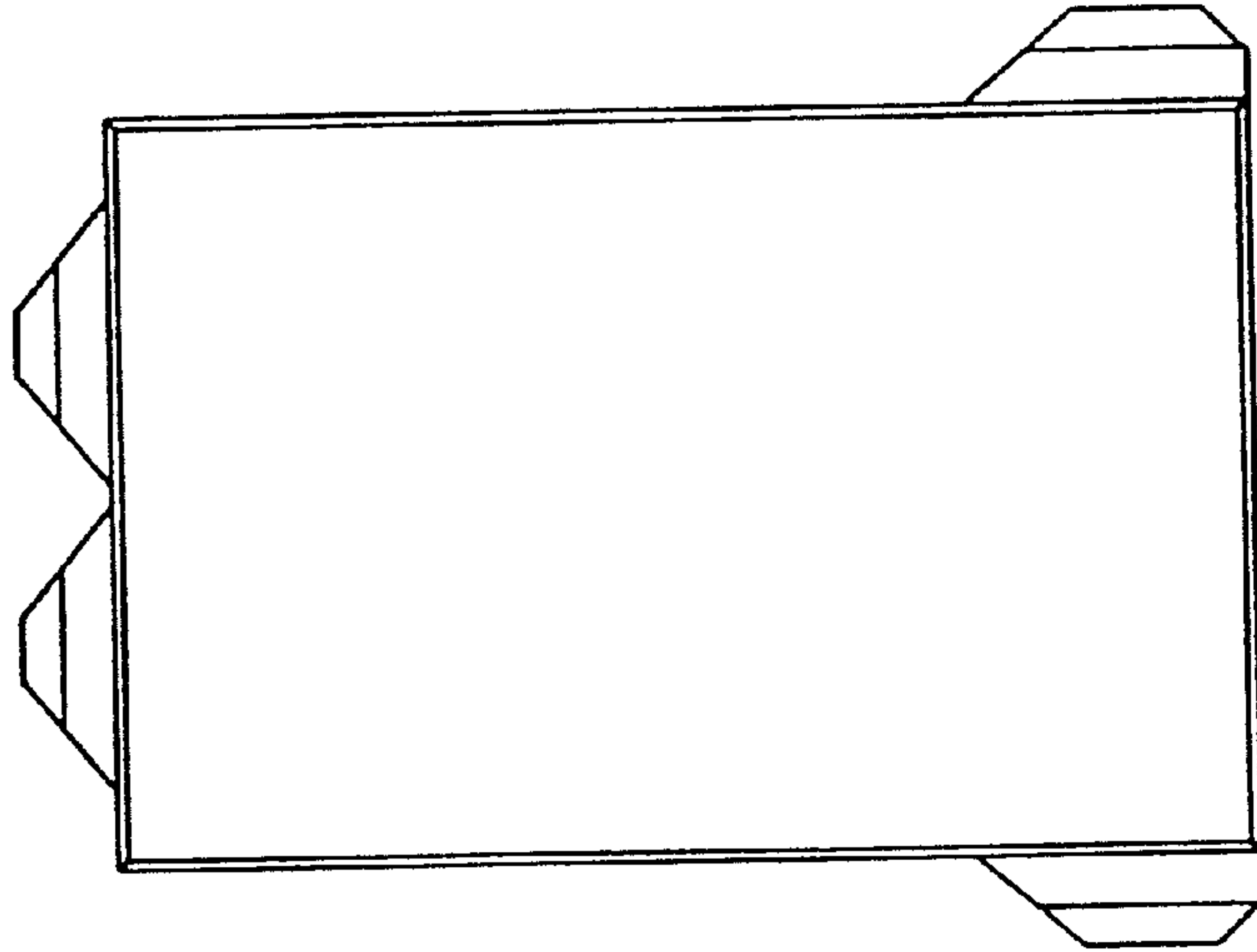


FIG. 3

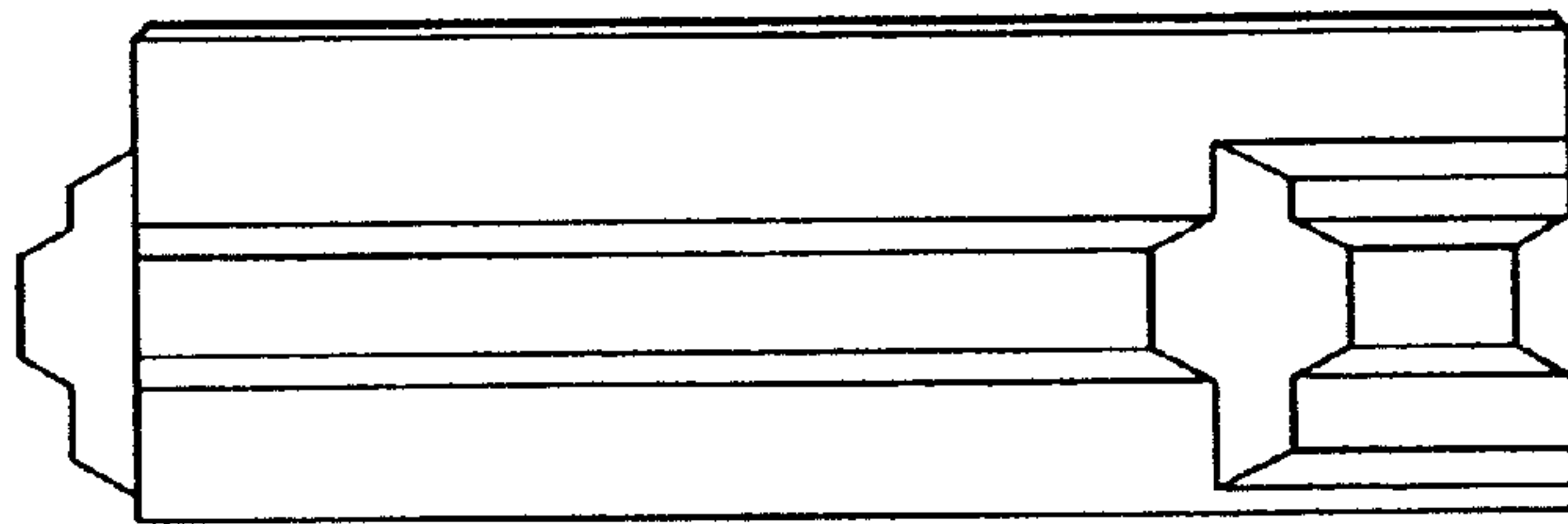


FIG. 4

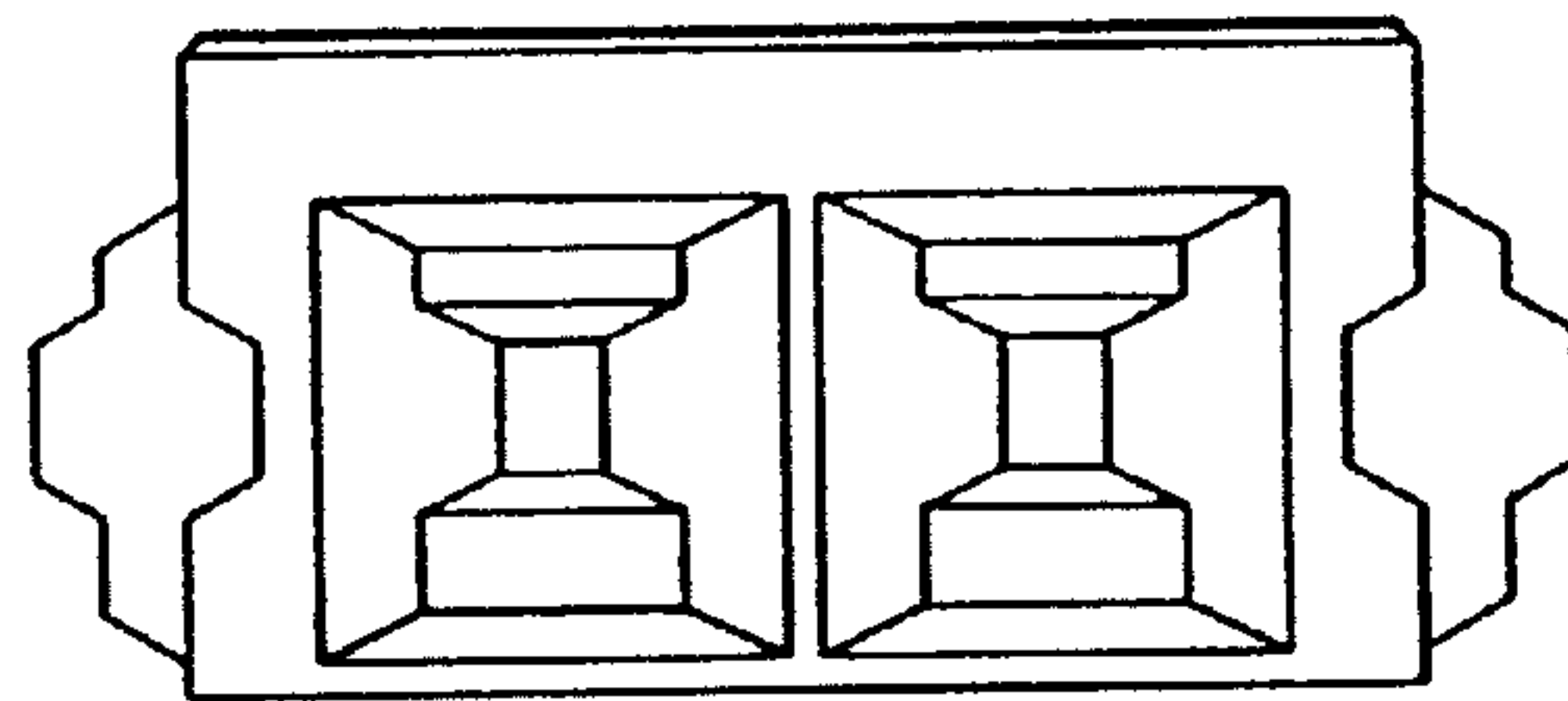


FIG. 5

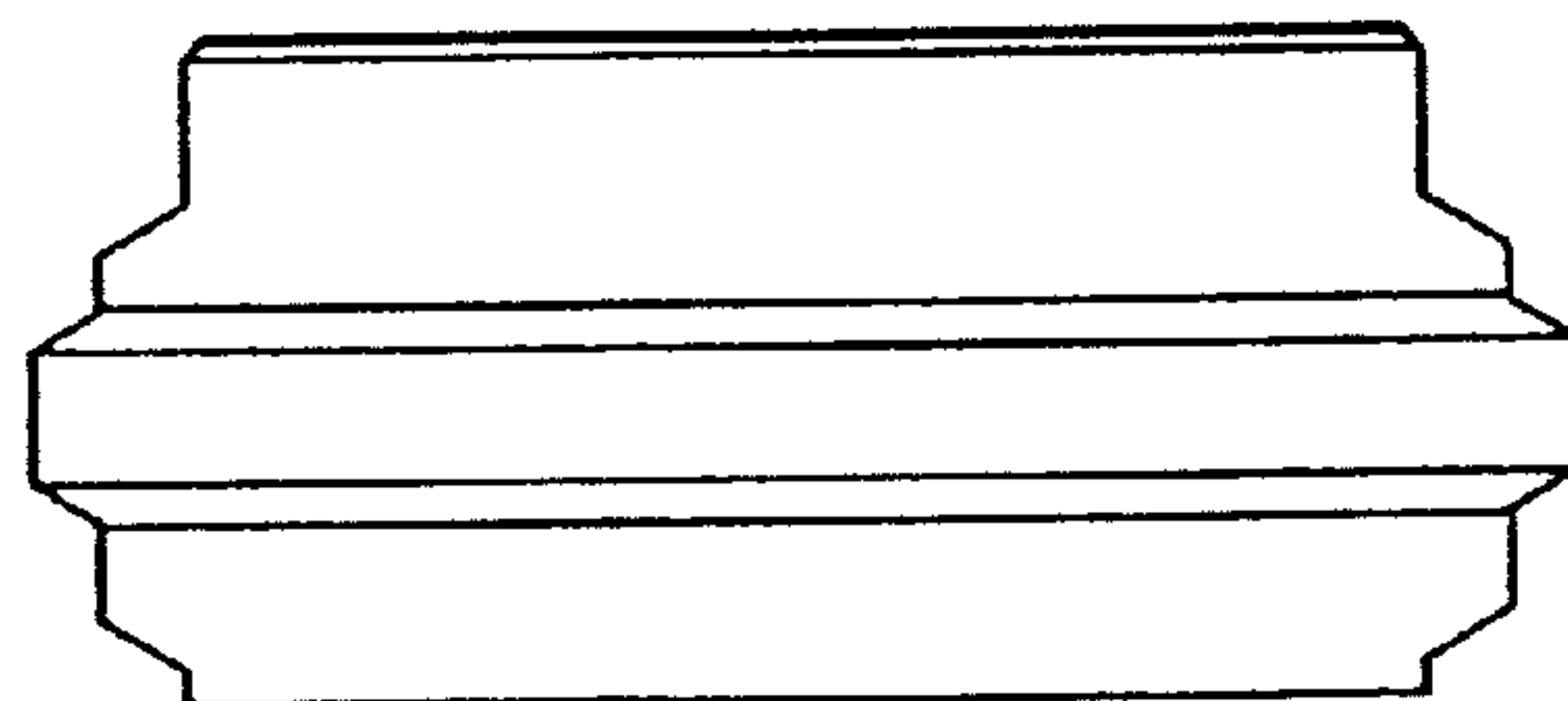


FIG. 6