



US00D688810S

(12) **United States Design Patent**
Liu

(10) **Patent No.:** **US D688,810 S**

(45) **Date of Patent:** **** Aug. 27, 2013**

(54) **MODULAR MORTISE AND TENON BASE**

(76) Inventor: **Hsuan-Hao Liu**, Taipei (TW)

(**) Term: **14 Years**

(21) Appl. No.: **29/429,683**

(22) Filed: **Aug. 15, 2012**

(51) **LOC (9) Cl.** **25-01**

(52) **U.S. Cl.**
USPC **D25/113**

(58) **Field of Classification Search**
USPC D25/102-118, 136, 138, 140, 151,
D25/152, 153, 156-162, 164; D21/484-491,
D21/499-504; 405/16, 284, 286; 52/503-505,
52/574, 575, 596-612; 404/27-42
See application file for complete search history.

(56) **References Cited**

U.S. PATENT DOCUMENTS

2,684,589	A *	7/1954	Perretton	52/591.2
5,379,565	A *	1/1995	Vienne	52/606
5,457,926	A *	10/1995	Jensen	52/604
5,465,542	A *	11/1995	Terry	52/309.7
D429,822	S *	8/2000	Jensen	D25/118
D502,554	S *	3/2005	Luaces	D25/118

D509,597	S *	9/2005	Yanagisawa	D25/115
8,074,419	B1 *	12/2011	Humphress et al.	52/607
2010/0018150	A1 *	1/2010	Azar	52/606

* cited by examiner

Primary Examiner — Anhdao Doan

(74) *Attorney, Agent, or Firm* — Muncy, Geissler, Olds & Lowe, PLLC

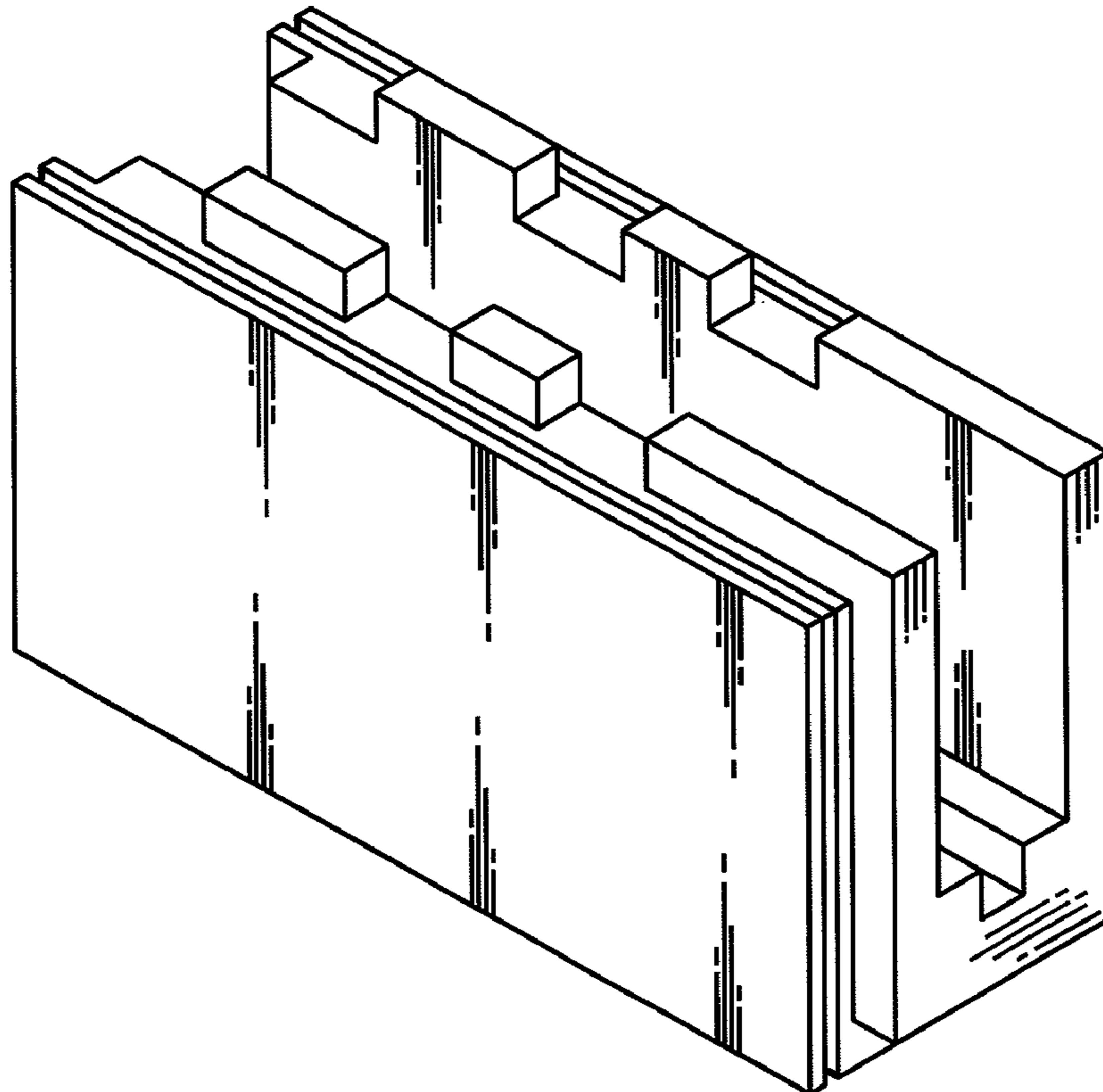
(57) **CLAIM**

The ornamental design for a modular mortise and tenon base, as shown and described.

DESCRIPTION

FIG. 1 is a perspective view of a modular mortise and tenon base;
FIG. 2 is a front view thereof;
FIG. 3 is a back view thereof;
FIG. 4 is a left side view thereof;
FIG. 5 is a right side view thereof;
FIG. 6 is a top view thereof;
FIG. 7 is a bottom view thereof;
FIG. 8 is a cross-sectional view taken along line 8-8 in FIG. 6;
FIG. 9 is a cross-sectional view taken along line 9-9 in FIG. 6;
and,
FIG. 10 is a cross-sectional view taken along line 10-10 in FIG. 6.

1 Claim, 10 Drawing Sheets



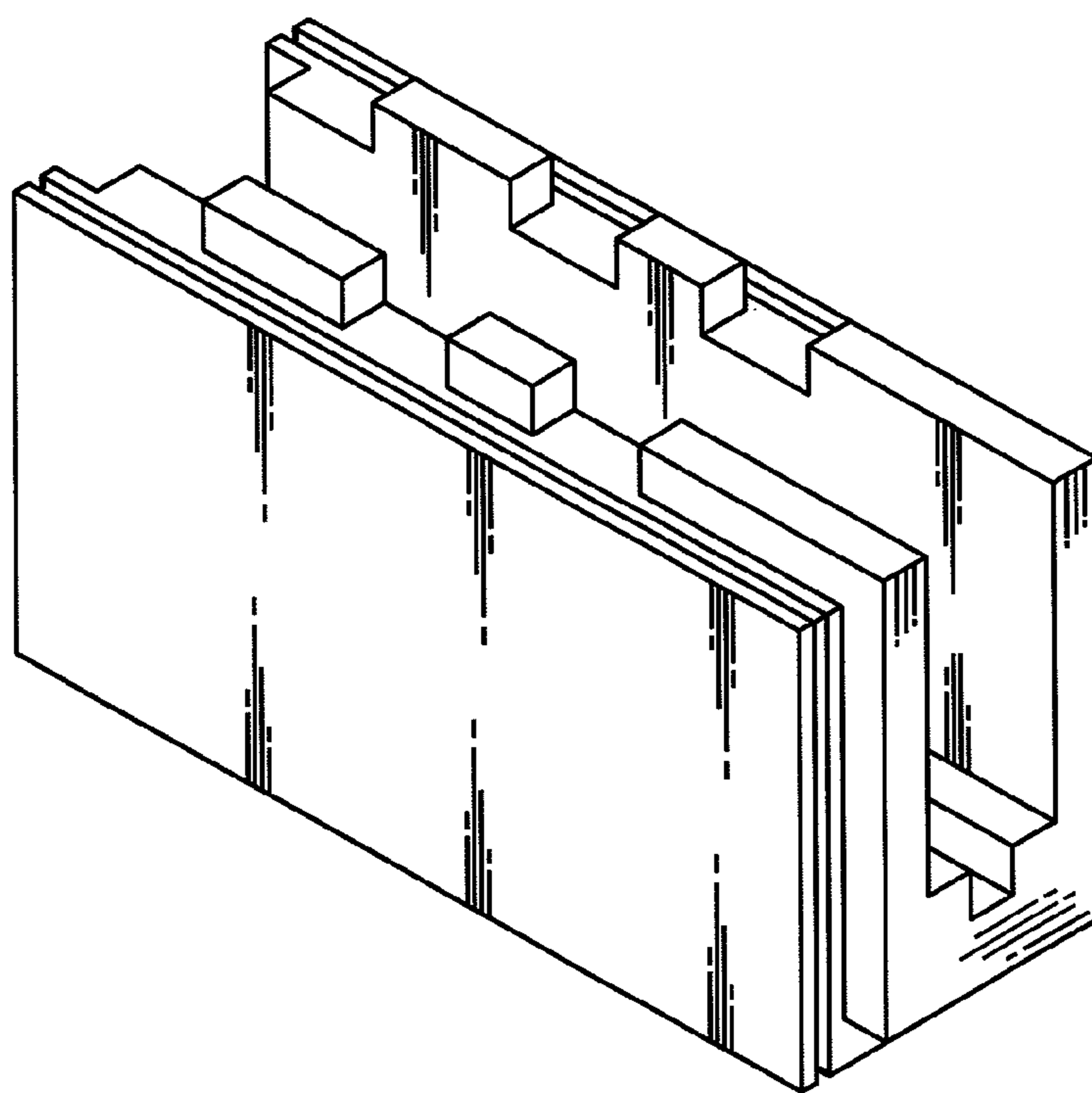


FIG. 1

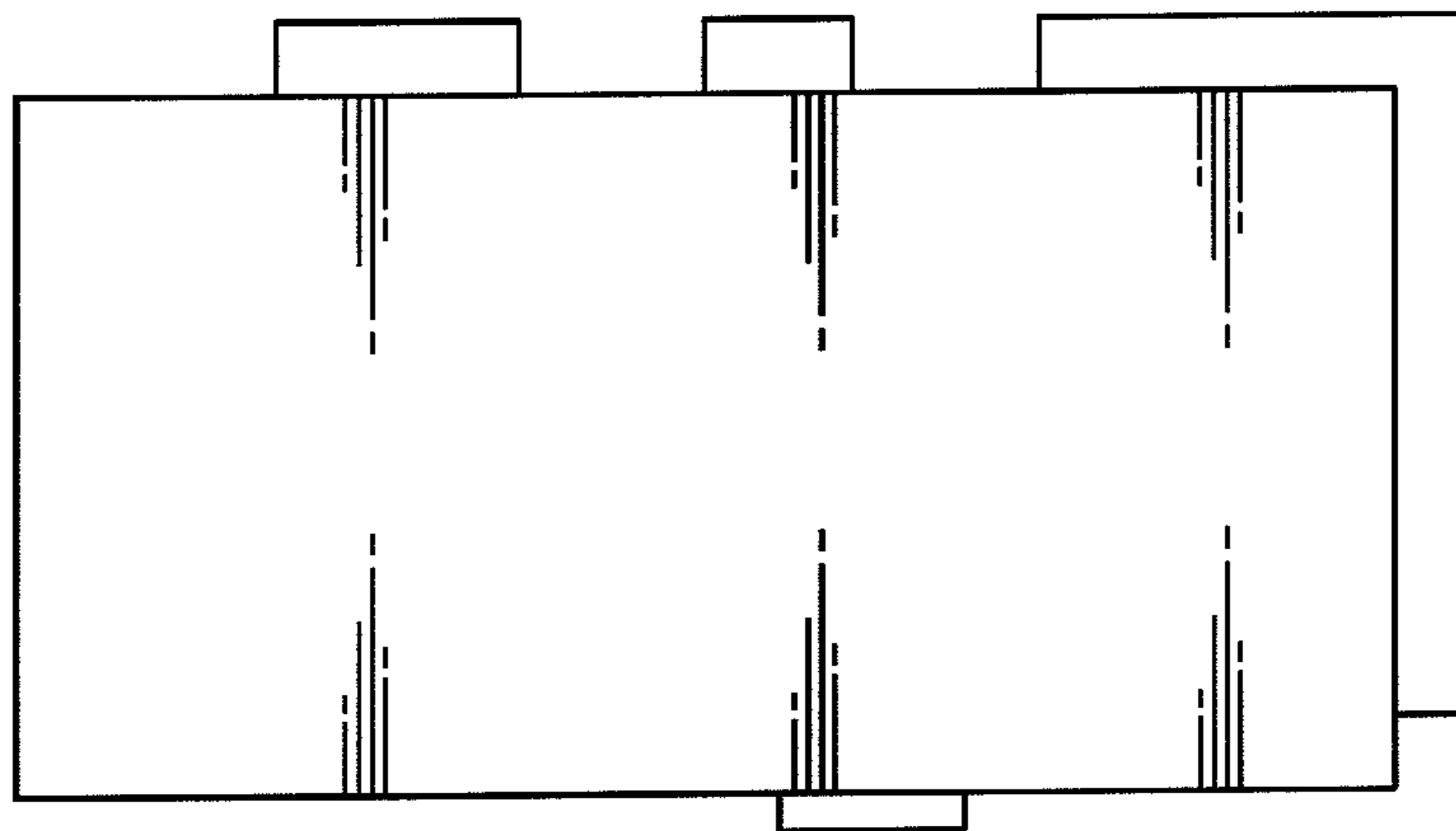


FIG. 2

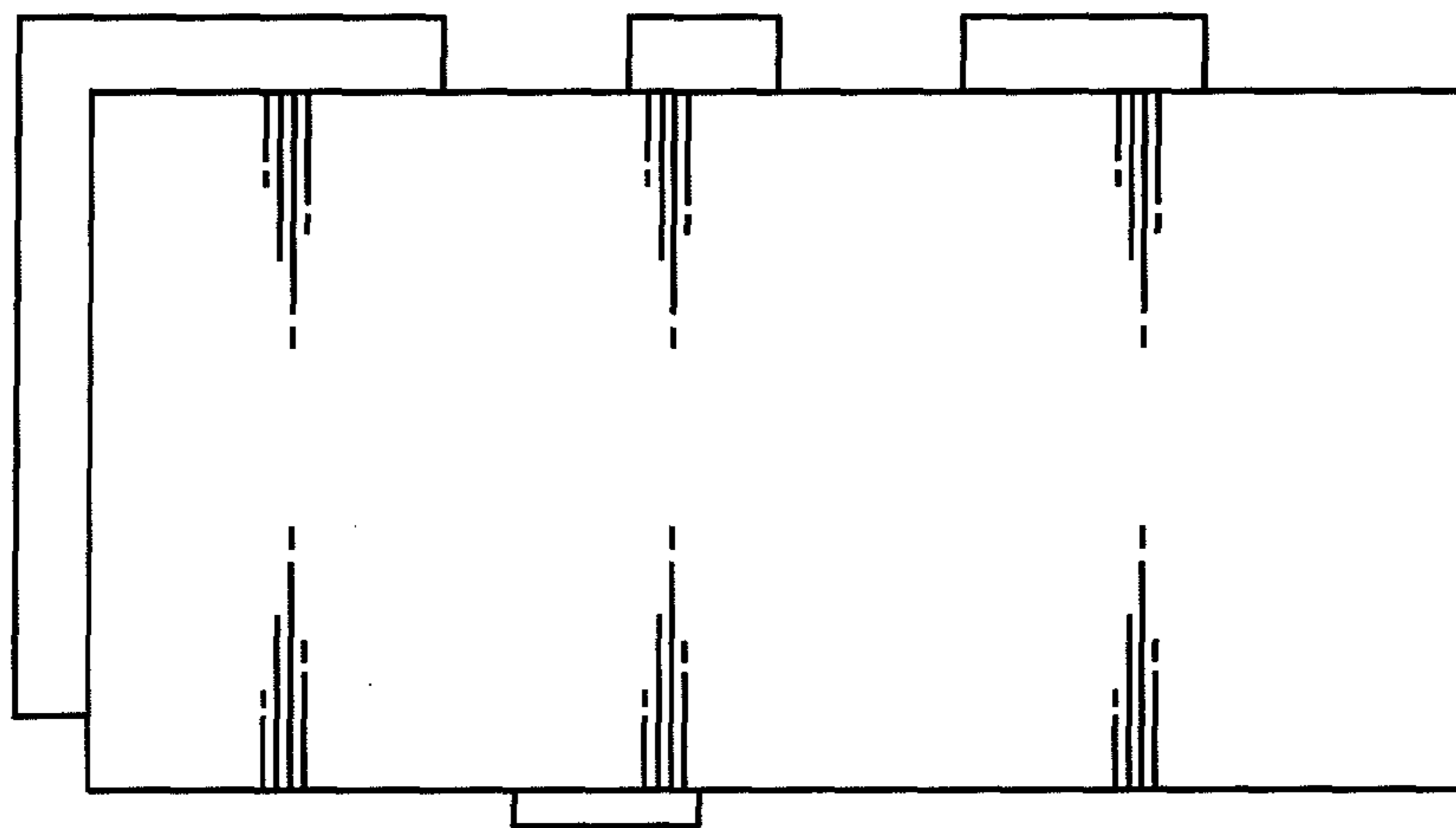


FIG. 3

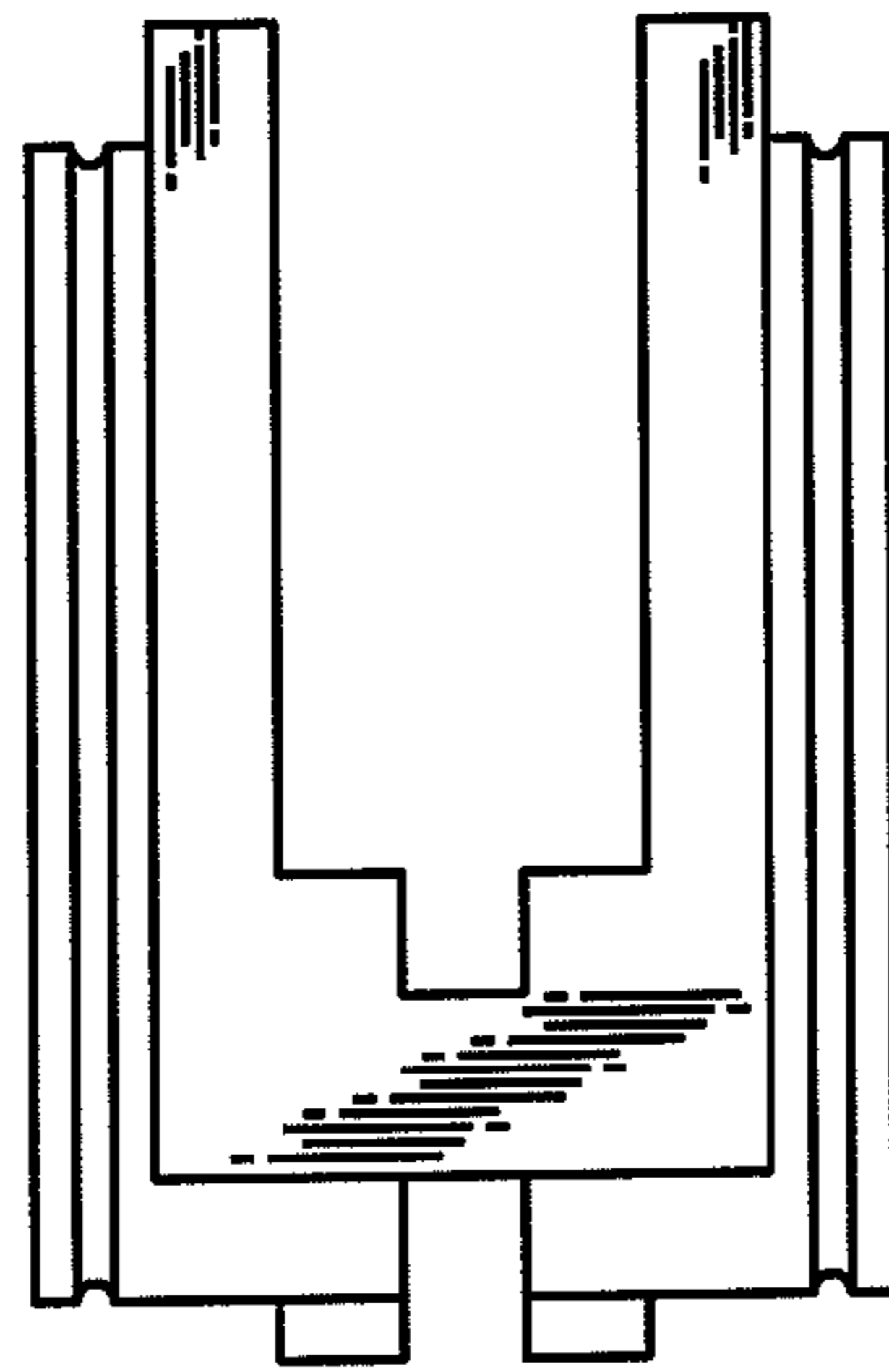


FIG. 4

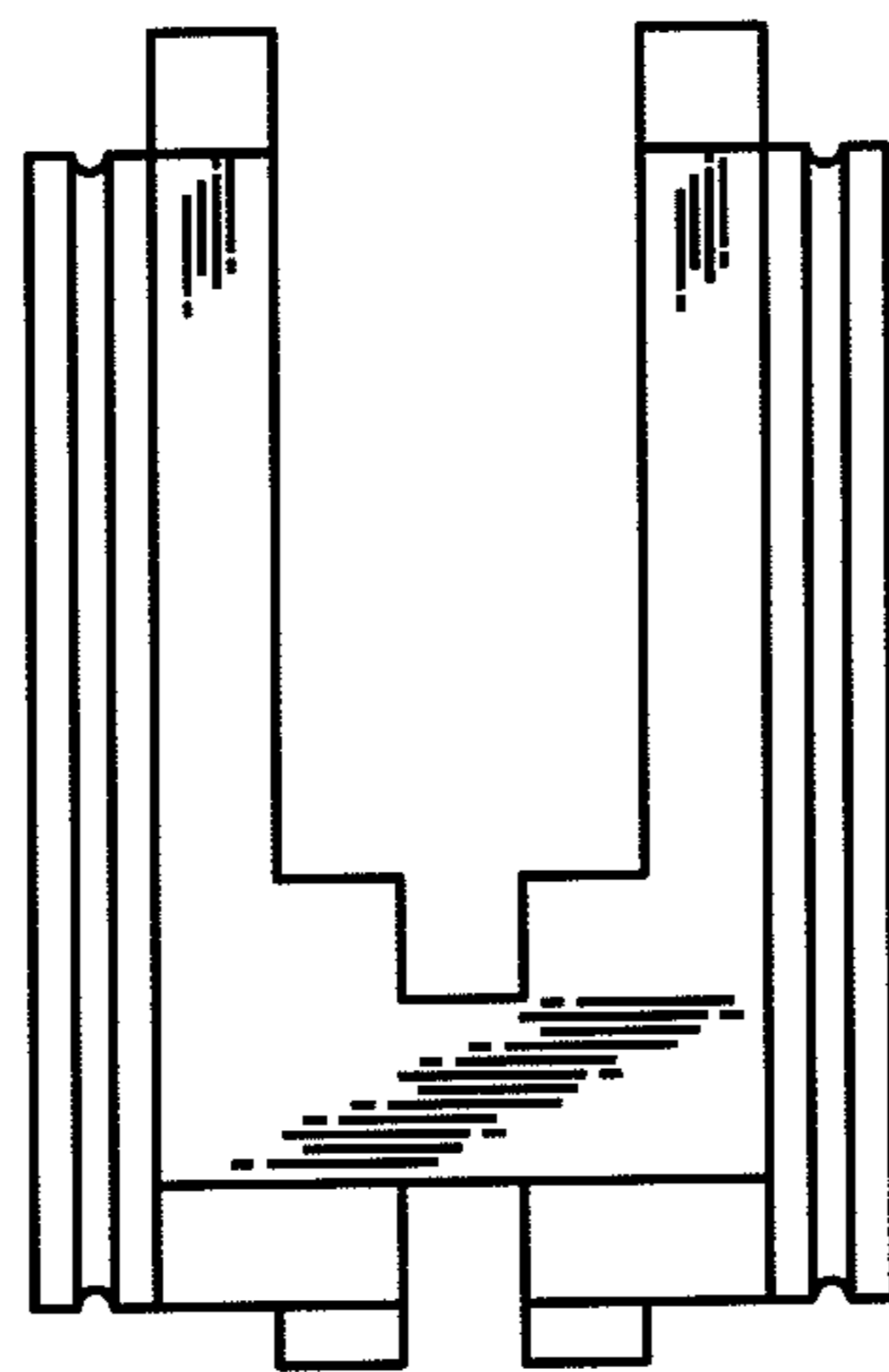


FIG. 5

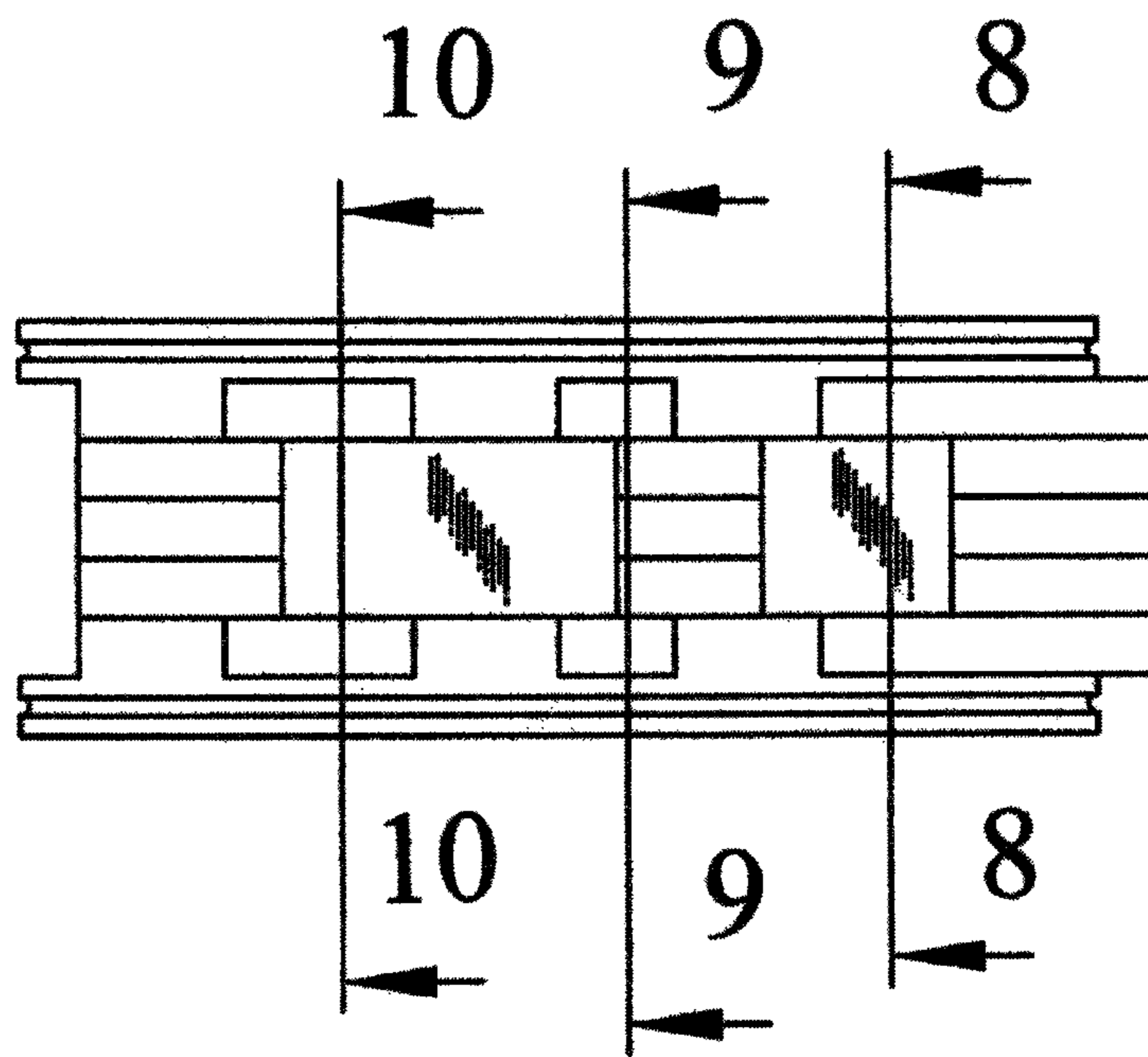


FIG. 6

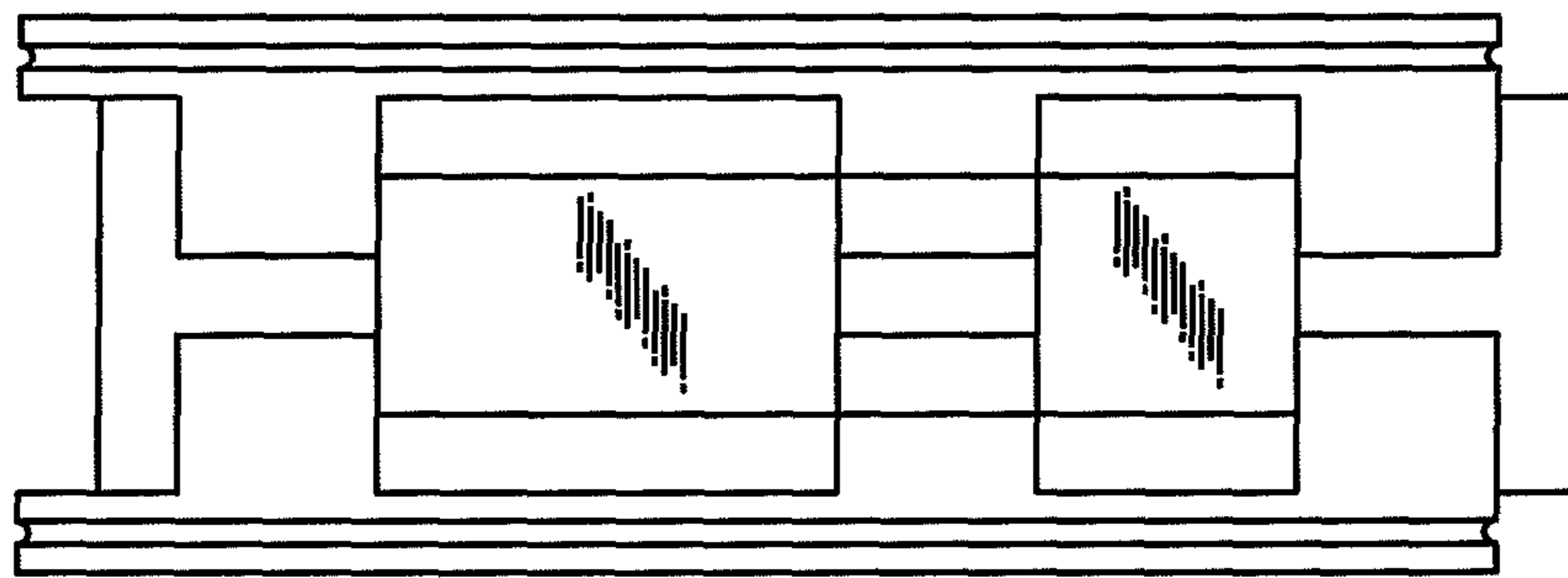


FIG. 7

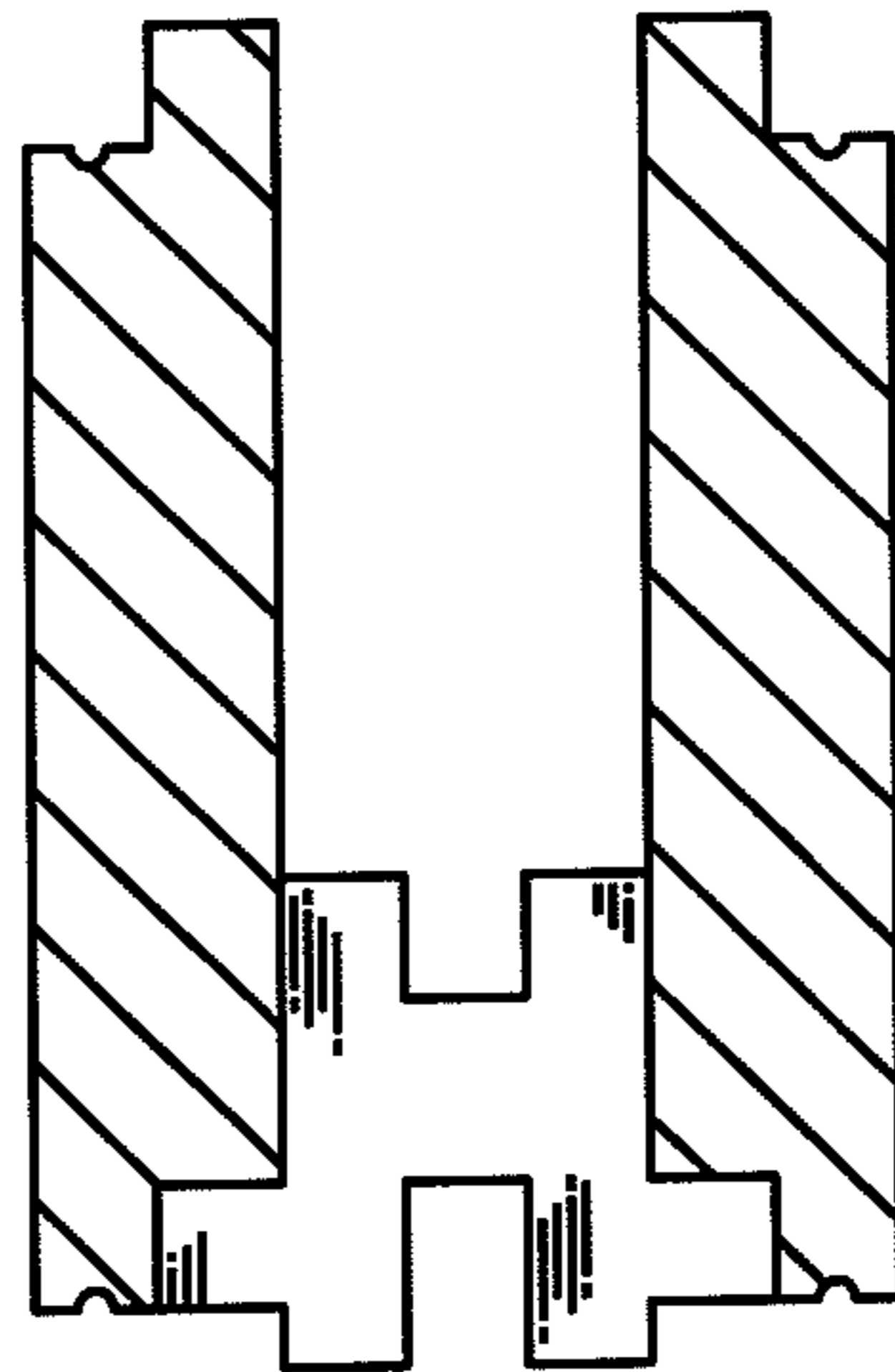


FIG. 8

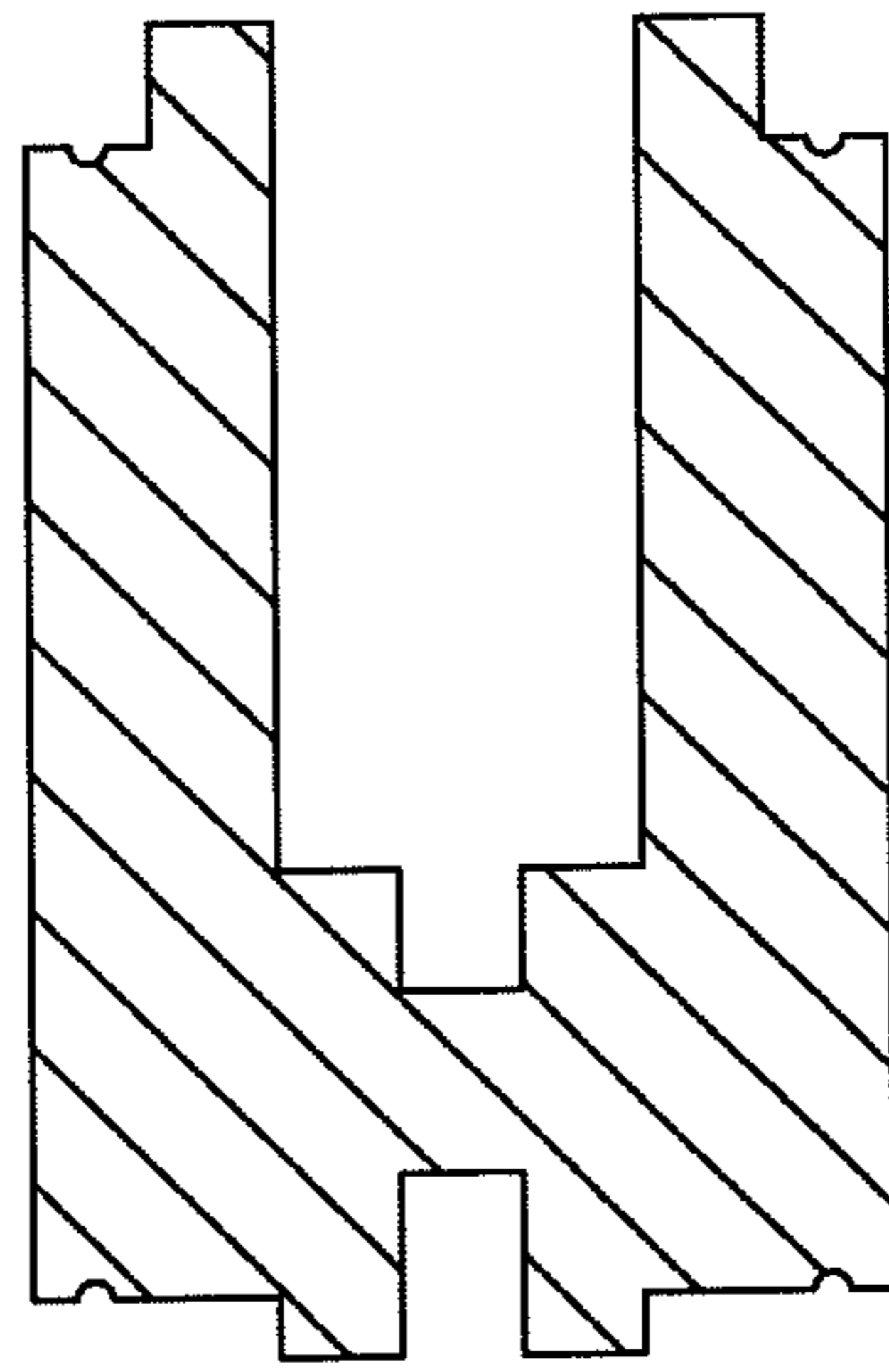


FIG. 9

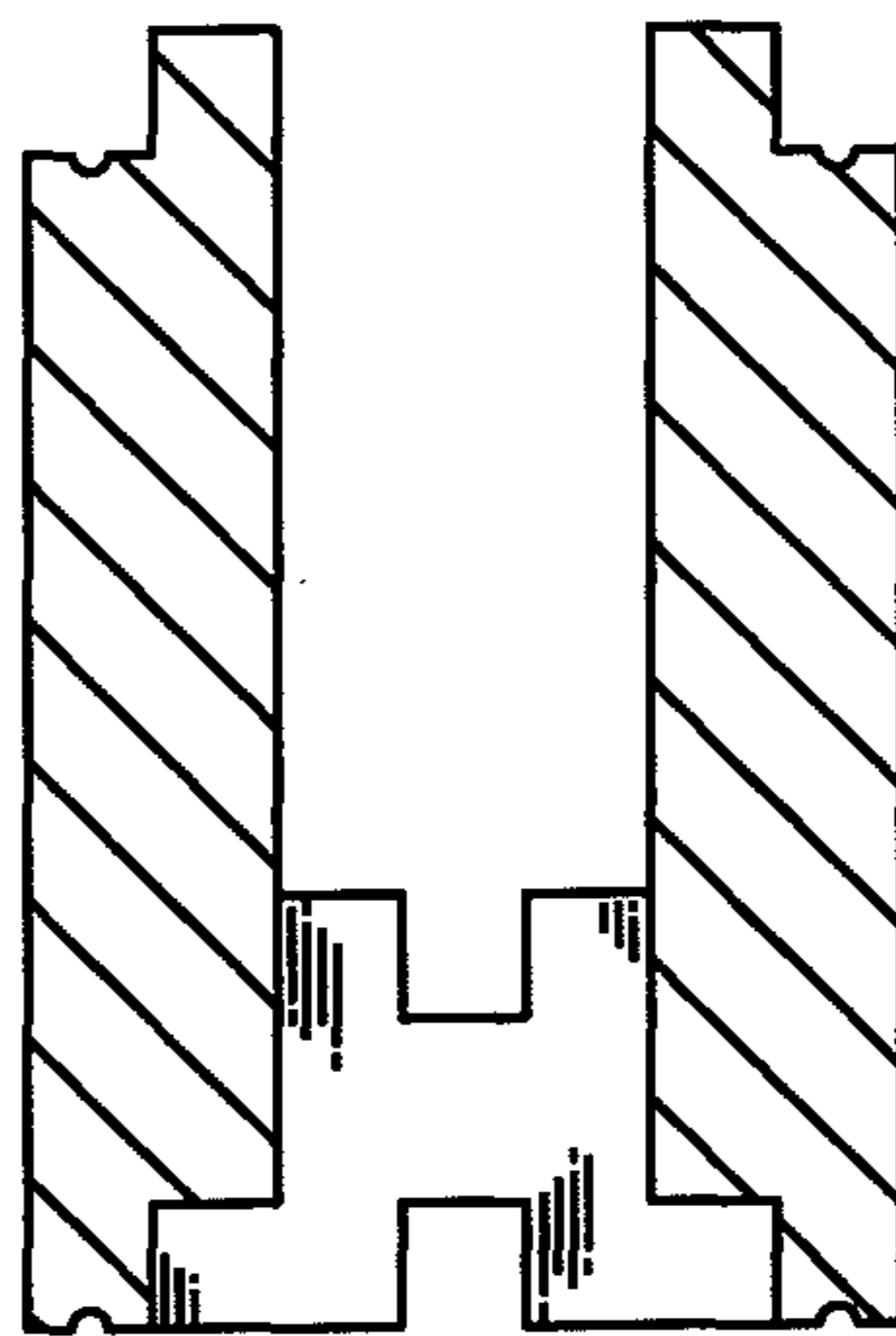


FIG. 10