



US00D688808S

(12) **United States Design Patent**  
**Bussiere**

(10) **Patent No.:** **US D688,808 S**

(45) **Date of Patent:** **\*\* Aug. 27, 2013**

(54) **WINDOW FRAME PORTION**

(75) Inventor: **Geoffroy Bussiere**, Rougemont (CA)

(73) Assignee: **Industries Spectal Inc.**, Granby (CA)

(\*\*) Term: **14 Years**

(21) Appl. No.: **29/412,600**

(22) Filed: **Feb. 6, 2012**

(51) **LOC (9) Cl.** ..... **25-02**

(52) **U.S. Cl.**  
USPC ..... **D25/60**

(58) **Field of Classification Search**  
USPC ..... D25/60; 49/72, 101, 136, 286, 293,  
49/316, 394, 402, 504; 52/204.1, 204.66  
See application file for complete search history.

(56) **References Cited**

**U.S. PATENT DOCUMENTS**

1,939,892	A *	12/1933	Goddard et al.	.....	52/766
D211,457	S *	6/1968	Anderson	.....	D25/60
4,638,596	A *	1/1987	Gallardo	.....	49/56
7,581,768	B2 *	9/2009	Balbo Di Vinadio	.....	292/288
2007/0011961	A1 *	1/2007	Annes	.....	52/204.1

\* cited by examiner

*Primary Examiner* — Doris Clark

(74) *Attorney, Agent, or Firm* — Goudreau Gage Dubuc;  
Gwendoline Bruneau

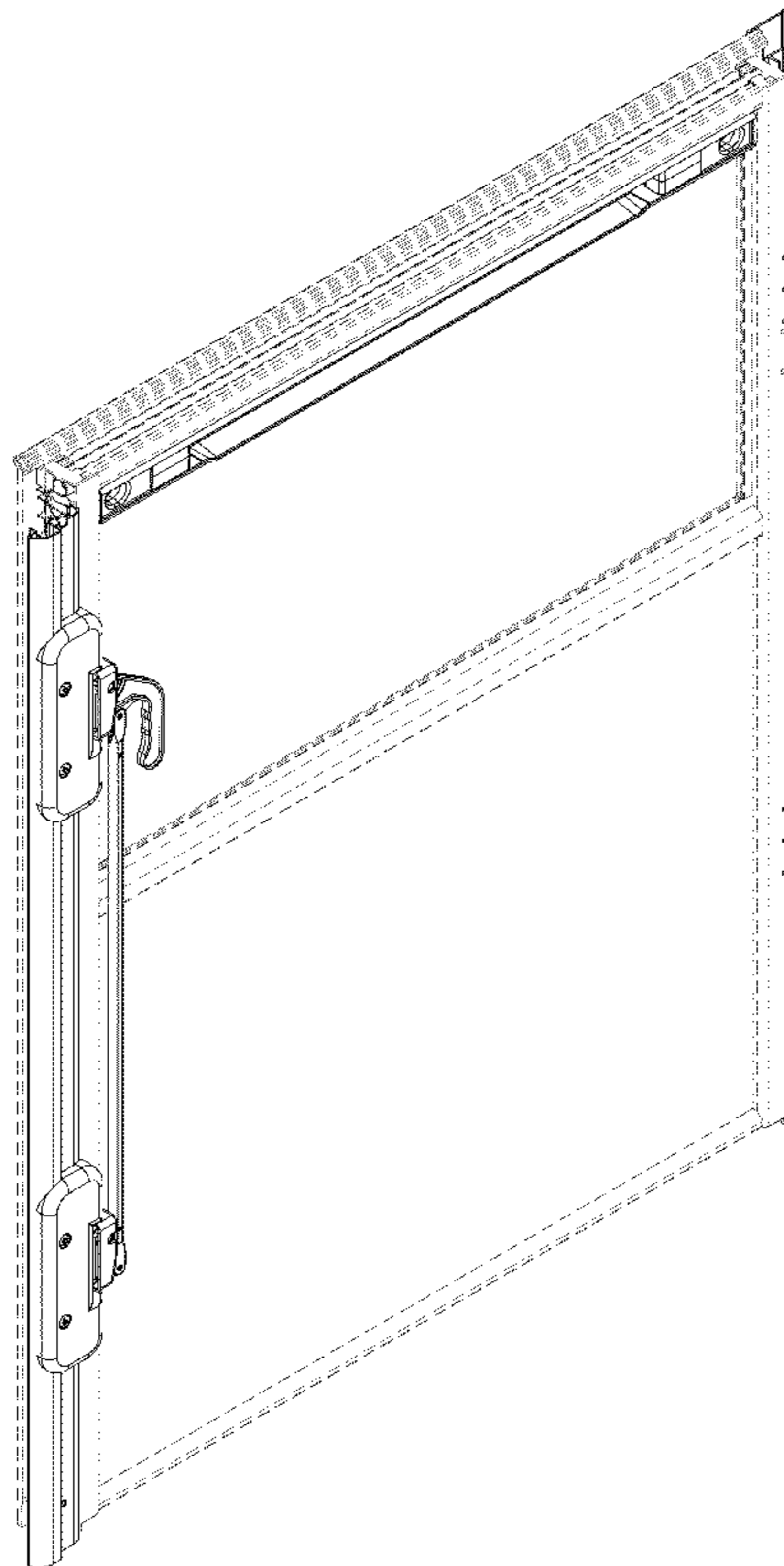
(57) **CLAIM**

The ornamental design for a window frame portion, as shown and described.

**DESCRIPTION**

FIG. 1 is a front perspective view of the window frame portion;  
 FIG. 2 is a back perspective view of the window frame portion of FIG. 1;  
 FIG. 3 is a plan back view of the window frame portion of FIG. 1;  
 FIG. 4 is a plan front view of the window frame portion of FIG. 1;  
 FIG. 5 is a first side view of the window frame portion of FIG. 1;  
 FIG. 6 is a top view of the window frame portion of FIG. 1;  
 FIG. 7 is a bottom view of the window frame portion of FIG. 1; and,  
 FIG. 8 is a second side view of the window frame portion of FIG. 1.  
 The broken lines show portions of the window frame portion for illustrative purposes only and form no part of the claimed design.

**1 Claim, 7 Drawing Sheets**



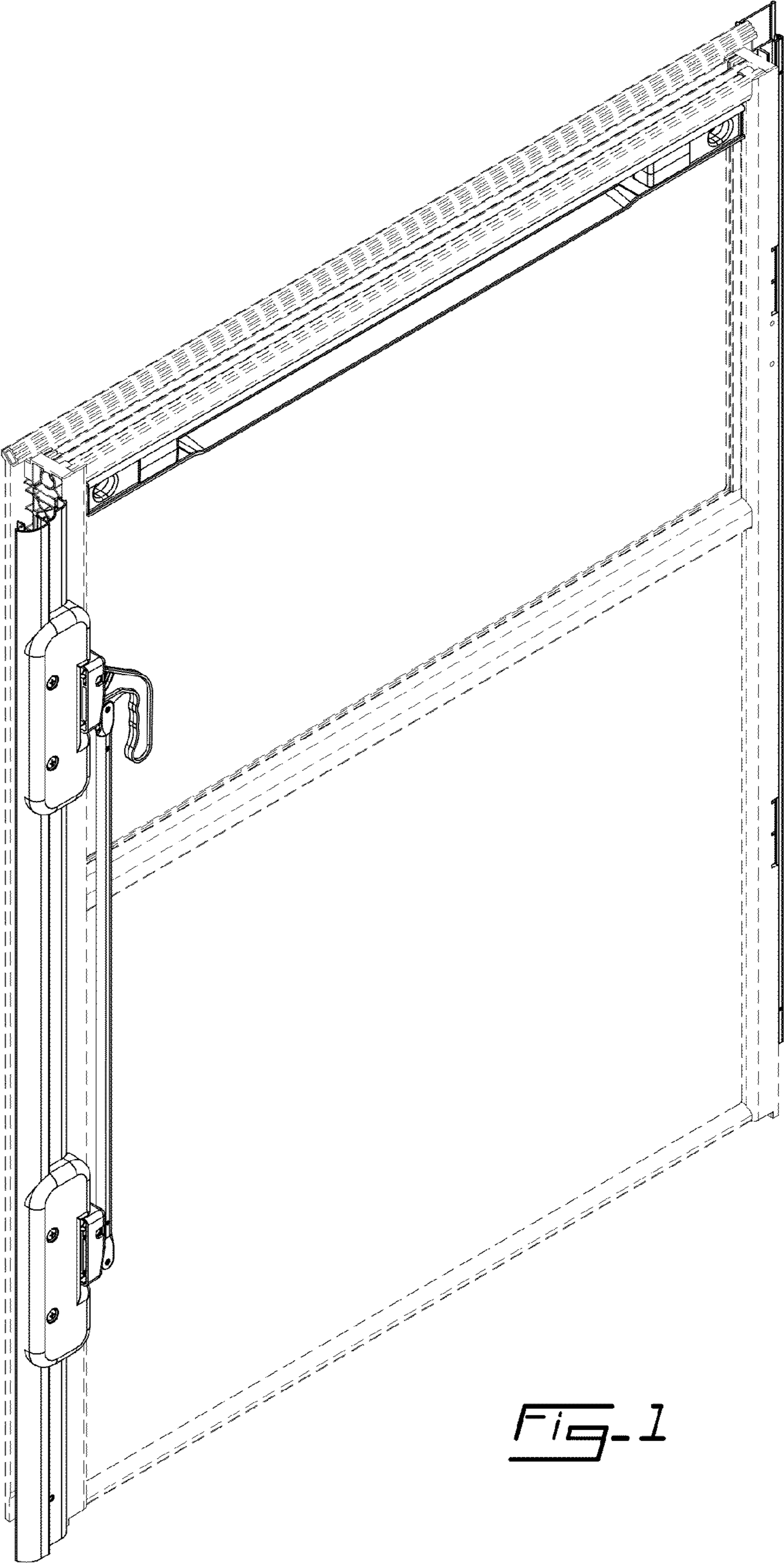


Fig-1

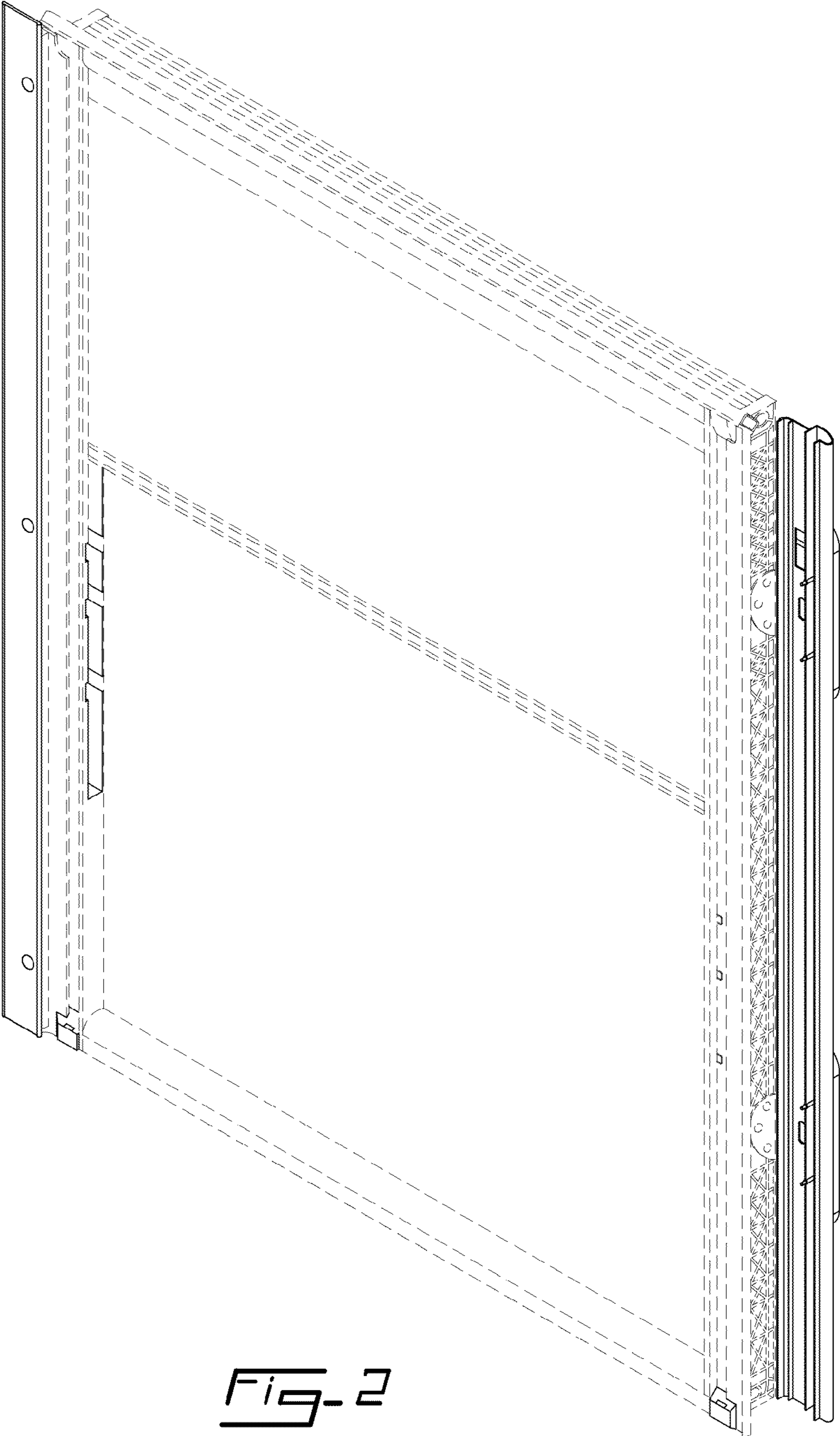


Fig-2

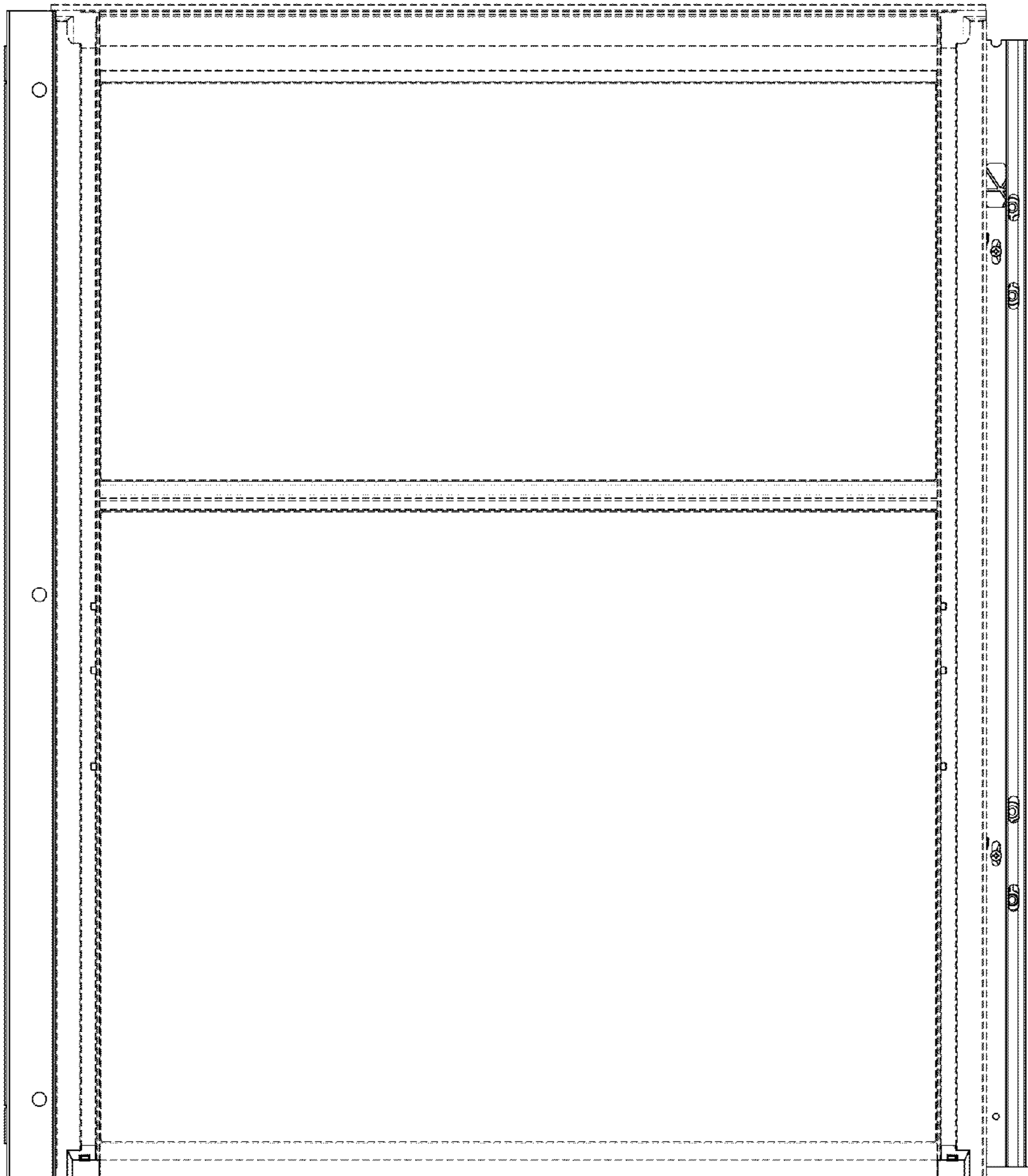


Fig. 3

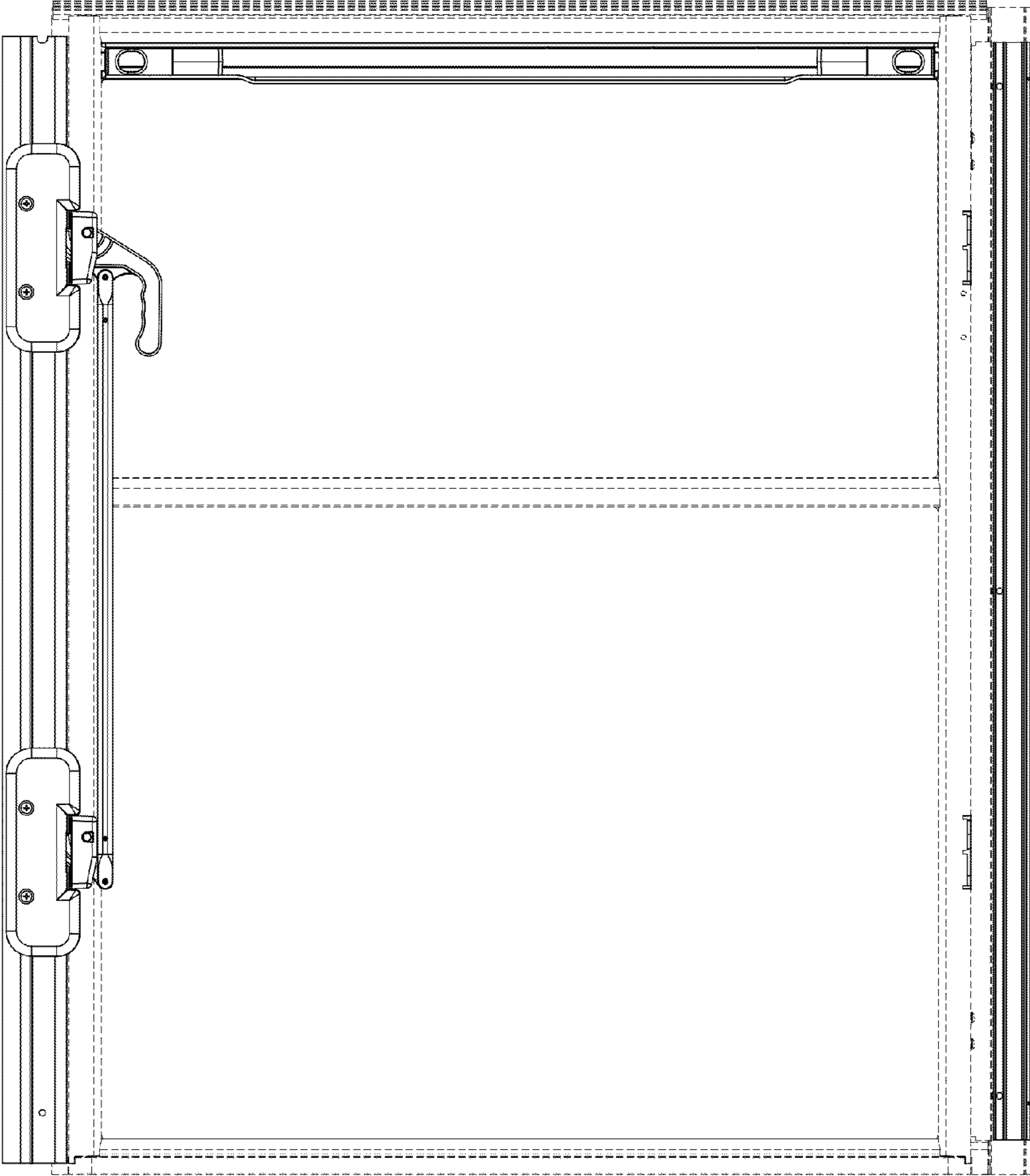


Fig-4

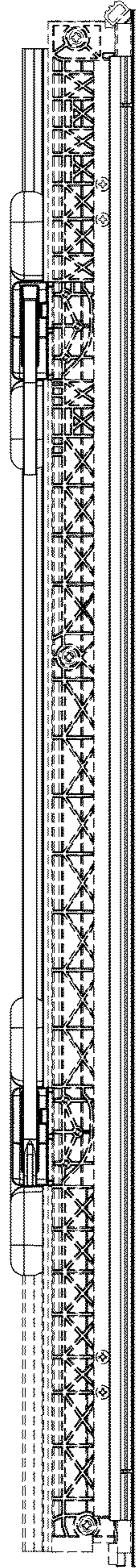


Fig. 5

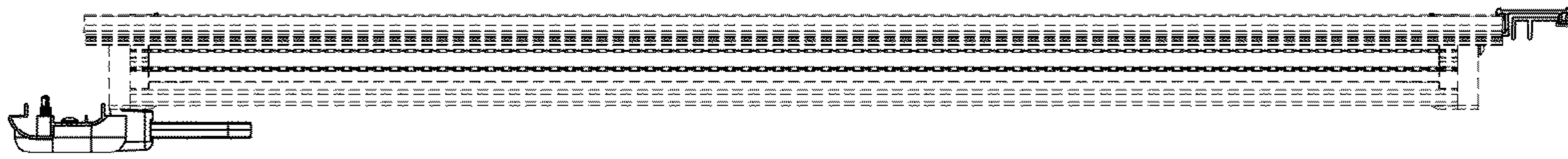


Fig-6

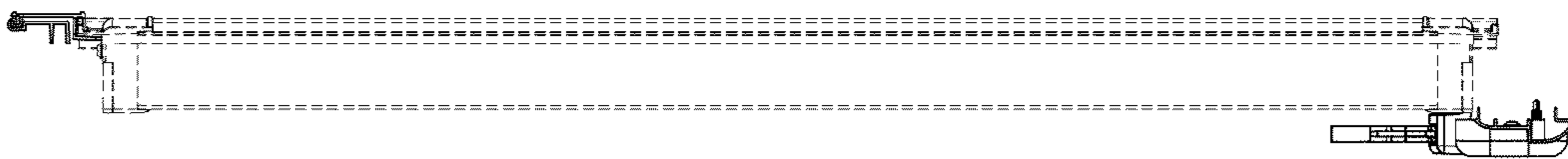


Fig-7

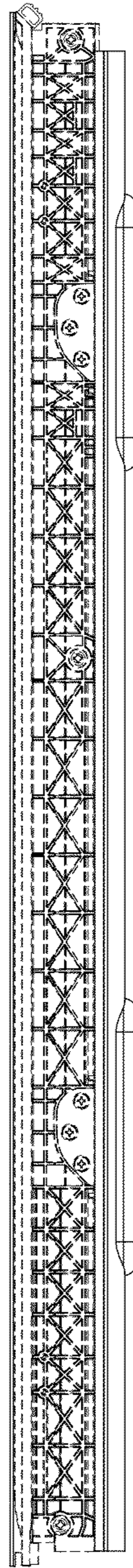


Fig. 8