



US00D688804S

(12) **United States Design Patent**
Kim et al.

(10) **Patent No.:** **US D688,804 S**

(45) **Date of Patent:** **** Aug. 27, 2013**

(54) **BLOOD TEST MACHINE**

(75) Inventors: **Jung-Hoon Kim**, Seoul (KR);
Sang-Min Hyun, Seoul (KR)

(73) Assignee: **Samsung Electronics Co., Ltd.**,
Suwon-si (KR)

(**) Term: **14 Years**

(21) Appl. No.: **29/422,829**

(22) Filed: **May 24, 2012**

(30) **Foreign Application Priority Data**

Dec. 30, 2011 (KR) 30-2011-0056528

(51) **LOC (9) Cl.** **24-01**

(52) **U.S. Cl.**
USPC **D24/216**

(58) **Field of Classification Search**
USPC D24/216, 217, 219, 223–226, 231,
D24/232, 107, 169, 186; D10/81; 422/500,
422/547, 62–65, 67; 435/287.1, 287.3; 436/43,
436/45, 47
See application file for complete search history.

(56) **References Cited**

U.S. PATENT DOCUMENTS

D404,140 S * 1/1999 Meguro D24/232
D424,956 S * 5/2000 von Buelow et al. D10/81

D482,796 S * 11/2003 Oyama et al. D24/232
D549,827 S * 8/2007 Maeno et al. D24/169
D581,823 S * 12/2008 Mori et al. D10/81
D617,909 S * 6/2010 Taniguchi et al. D24/219
D638,545 S * 5/2011 Okawa et al. D24/186
D640,378 S * 6/2011 Okawa et al. D24/186
D641,477 S * 7/2011 Boessneck et al. D24/169
D657,068 S * 4/2012 Shibata D24/216
D670,402 S * 11/2012 Shibata D24/216

* cited by examiner

Primary Examiner — Anhdao Doan

(74) *Attorney, Agent, or Firm* — NSIP Law

(57) **CLAIM**

The ornamental design for a blood test machine, as shown and described.

DESCRIPTION

FIG. 1 is a front perspective view of a blood test machine;
FIG. 2 is a front view of the blood test machine of FIG. 1;
FIG. 3 is a rear view of the blood test machine of FIG. 1;
FIG. 4 is a left-side view of the blood test machine of FIG. 1;
FIG. 5 is a right-side view of the blood test machine of FIG. 1;
FIG. 6 is a top plan view of the blood test machine of FIG. 1;
and,
FIG. 7 is a bottom plan view of the blood test machine of FIG. 1.
Features shown in broken lines in FIGS. 2, 3, 4, 5, 6, and 7 form no part of the claimed design.

1 Claim, 7 Drawing Sheets

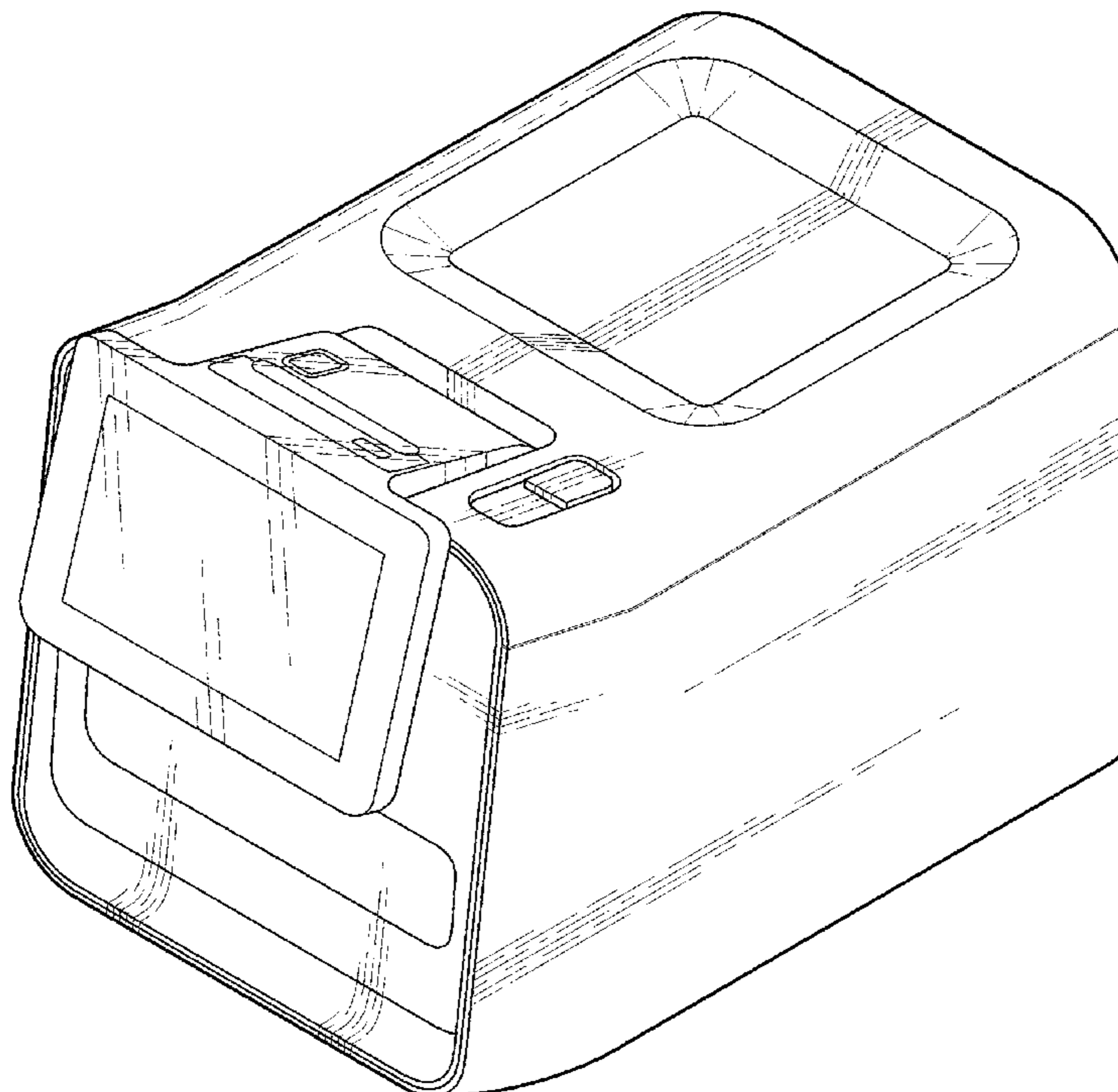


FIG. 1

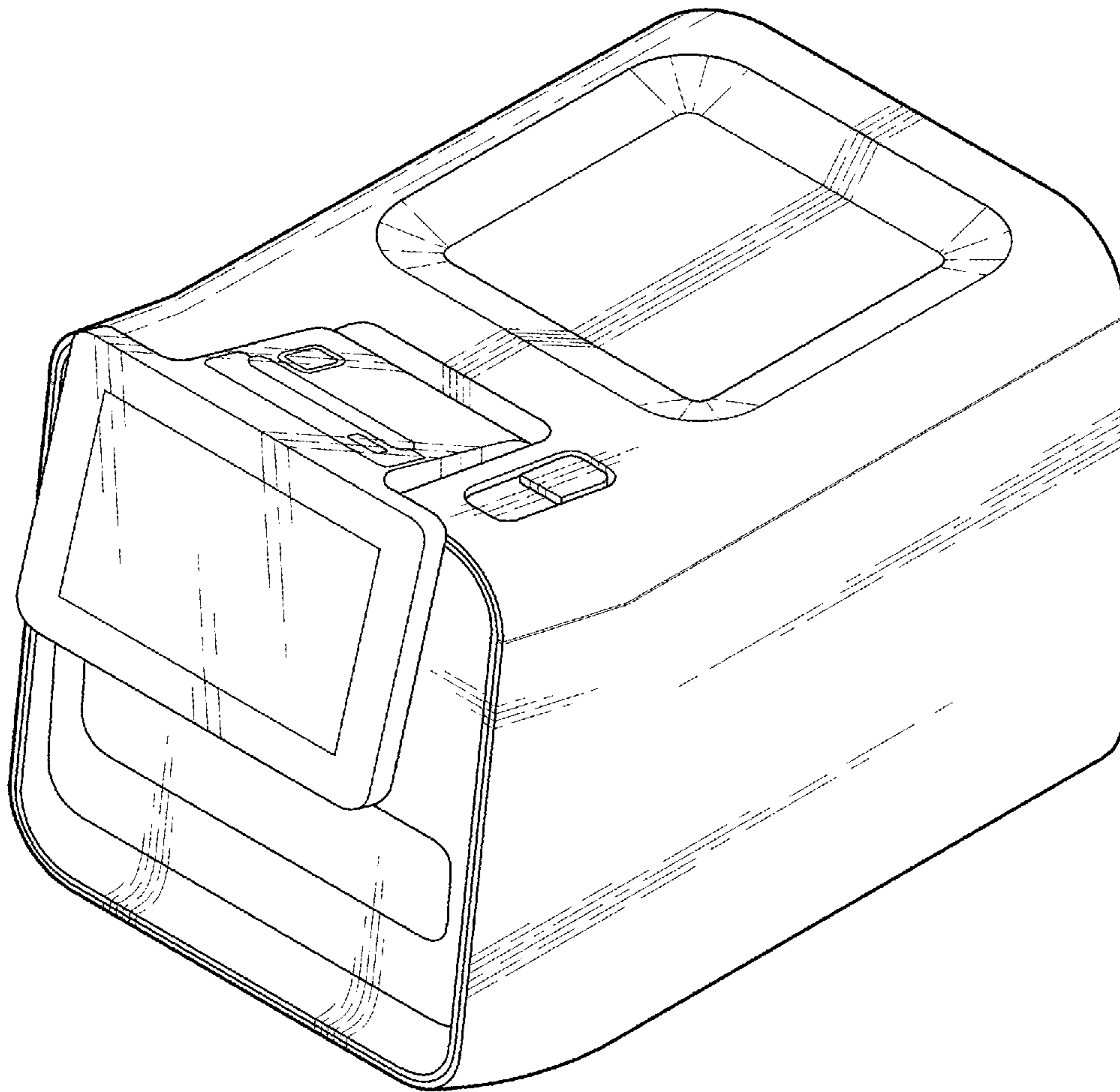


FIG. 2

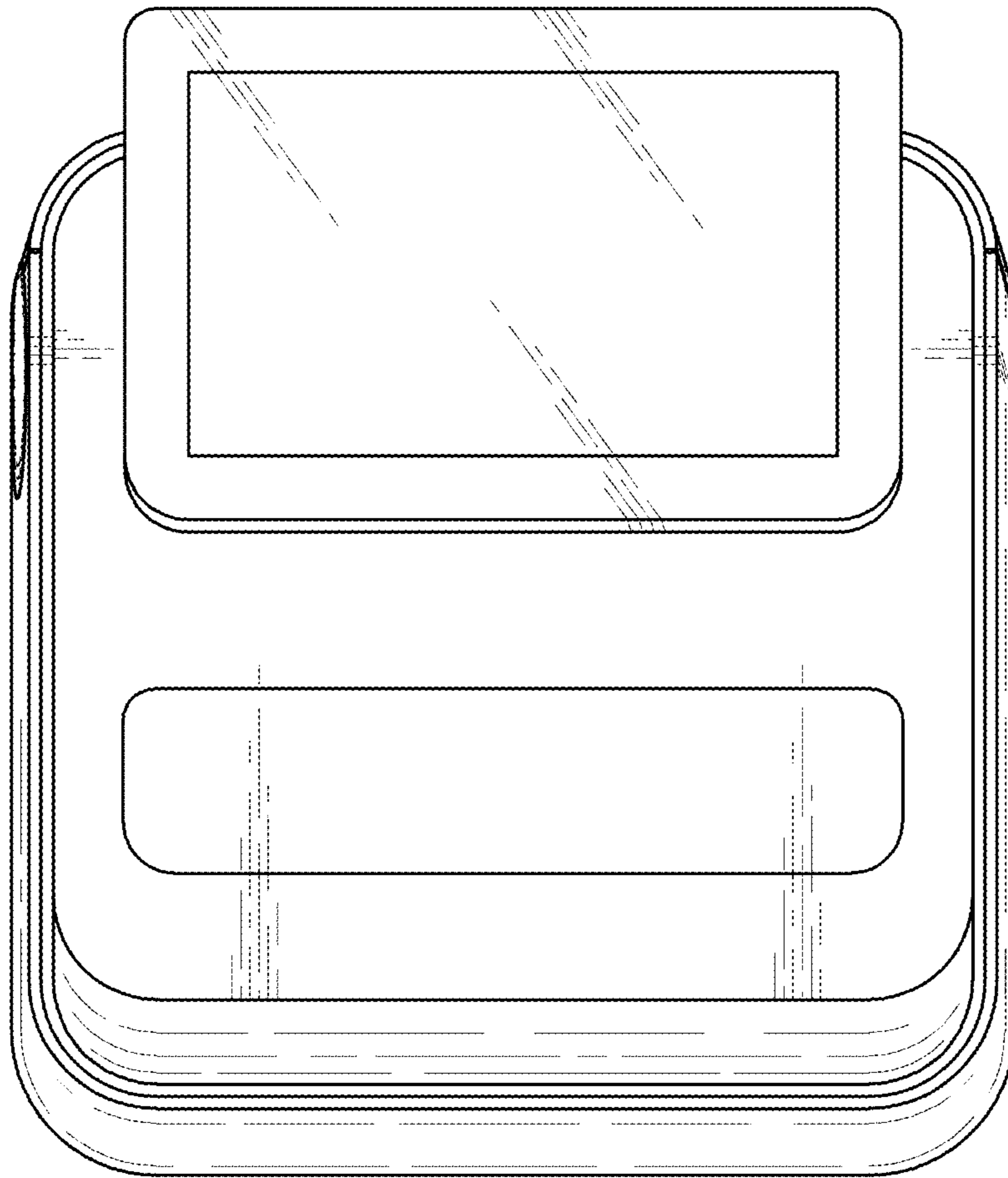


FIG. 3

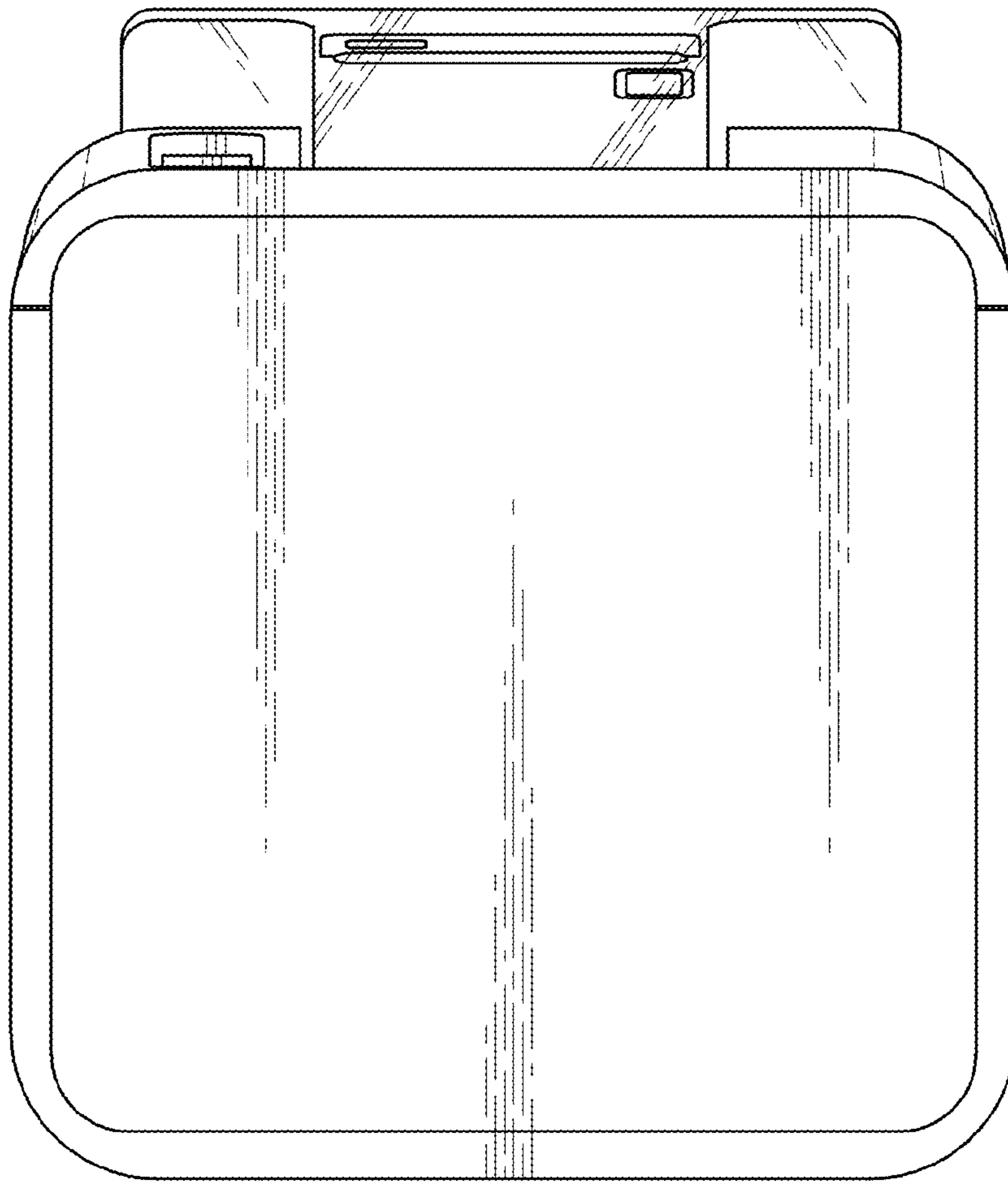


FIG. 4

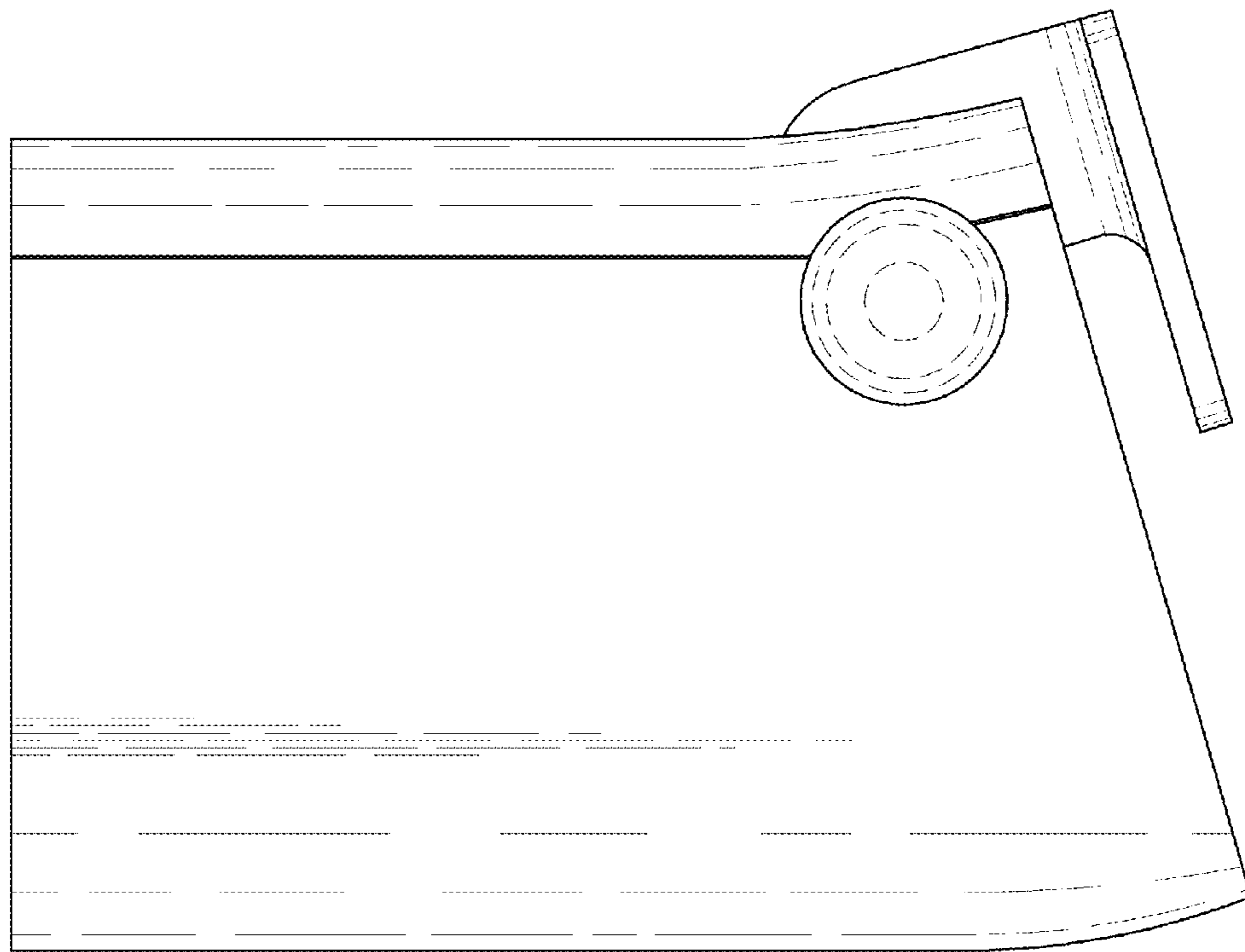


FIG. 5

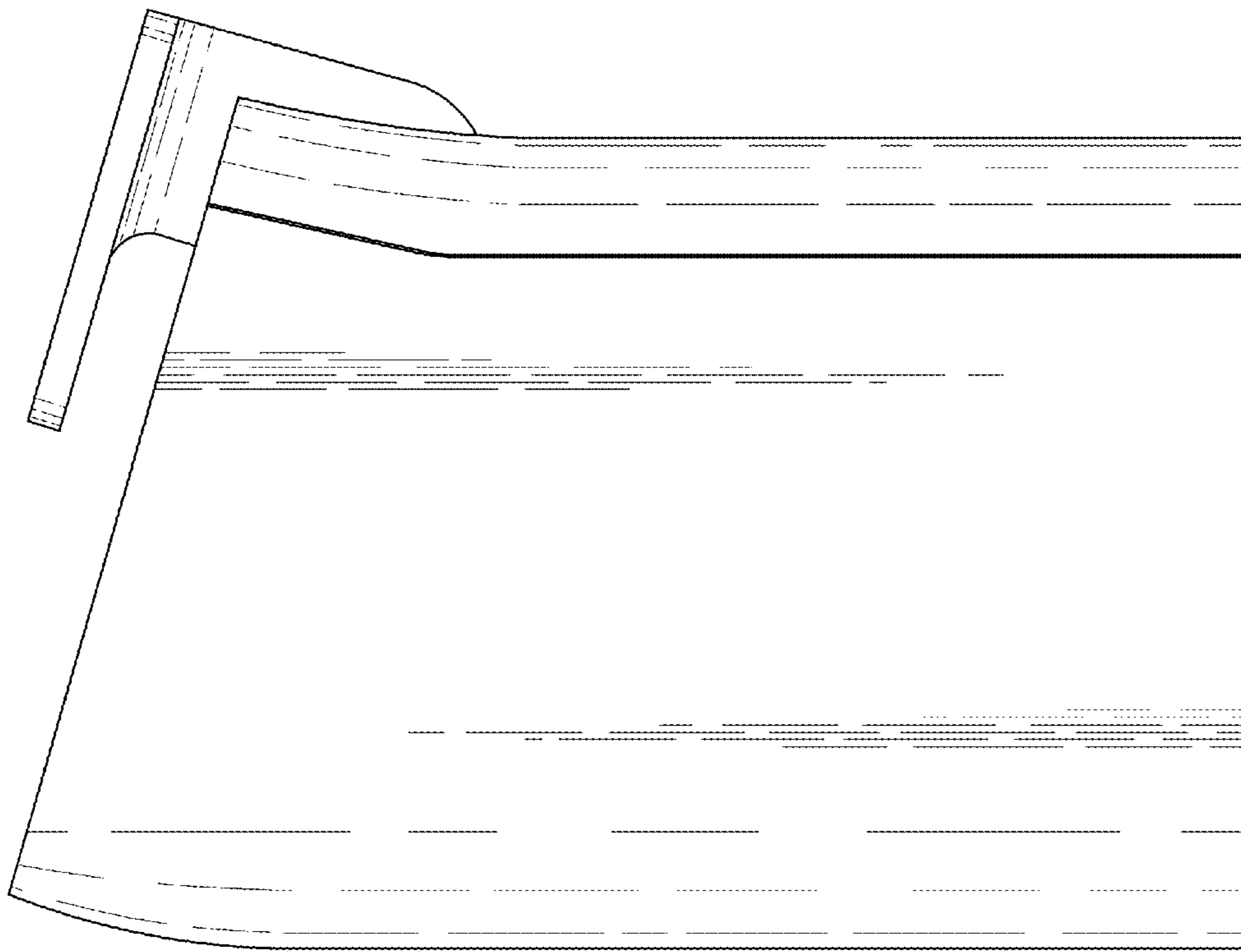


FIG. 6

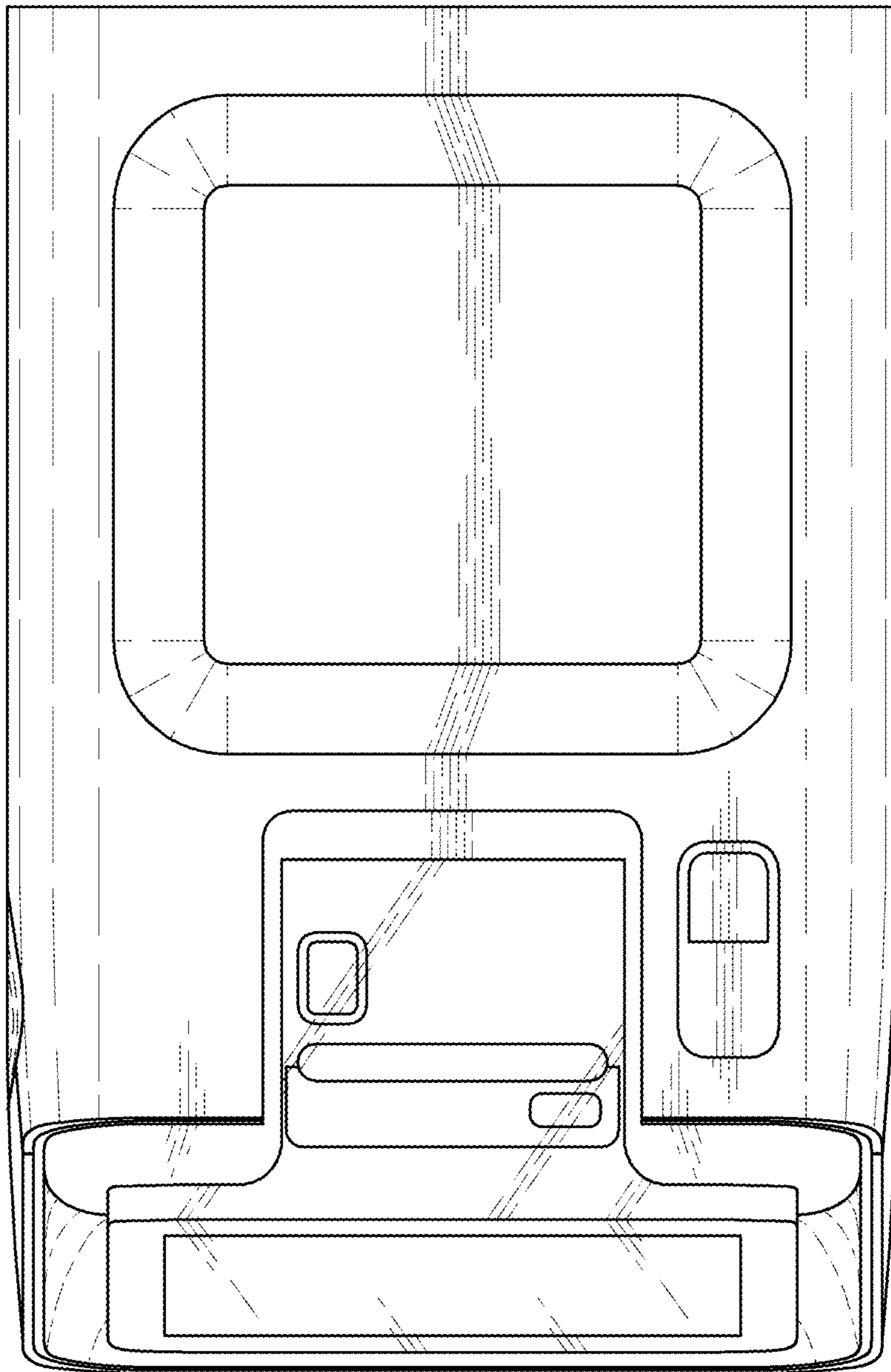


FIG. 7

