



US00D688802S

(12) **United States Design Patent**
Boege et al.

(10) **Patent No.:** **US D688,802 S**

(45) **Date of Patent:** **** Aug. 27, 2013**

(54) **ELECTROCARDIOGRAPH**

(71) Applicant: **Capical GmbH**, Braunschweig (DE)

(72) Inventors: **Henning Boege**, Braunschweig (DE);
Insa Kautzner, Braunschweig (DE);
Manfred Neumann, Braunschweig
(DE); **Martin Oehler**, Braunschweig
(DE)

(73) Assignee: **Capical GmbH**, Braunschweig (DE)

(**) Term: **14 Years**

(21) Appl. No.: **29/439,850**

(22) Filed: **Dec. 17, 2012**

(30) **Foreign Application Priority Data**

Jun. 19, 2012 (EM) 002059600

(51) **LOC (9) Cl.** **24-01**

(52) **U.S. Cl.**
USPC **D24/158**

(58) **Field of Classification Search**
USPC D24/164–168, 186, 187, 107; 600/509,
600/522, 523, 528

See application file for complete search history.

(56) **References Cited**

U.S. PATENT DOCUMENTS

D257,391	S	*	10/1980	Gammon	D24/168
D273,325	S	*	4/1984	Macquignon	D24/167
4,840,183	A	*	6/1989	Takahashi et al.	600/528
D326,521	S	*	5/1992	Sawada	D24/167
D460,556	S	*	7/2002	Daynes et al.	D24/168
D544,099	S	*	6/2007	Umeda et al.	D24/167
D616,549	S	*	5/2010	Sudhir	D24/167
D639,437	S	*	6/2011	Bishay et al.	D24/167
2009/0299206	A1	*	12/2009	Wang et al.	600/522

* cited by examiner

Primary Examiner — Anhdao Doan

(74) *Attorney, Agent, or Firm* — Whitham Curtis
Christofferson & Cook, PC

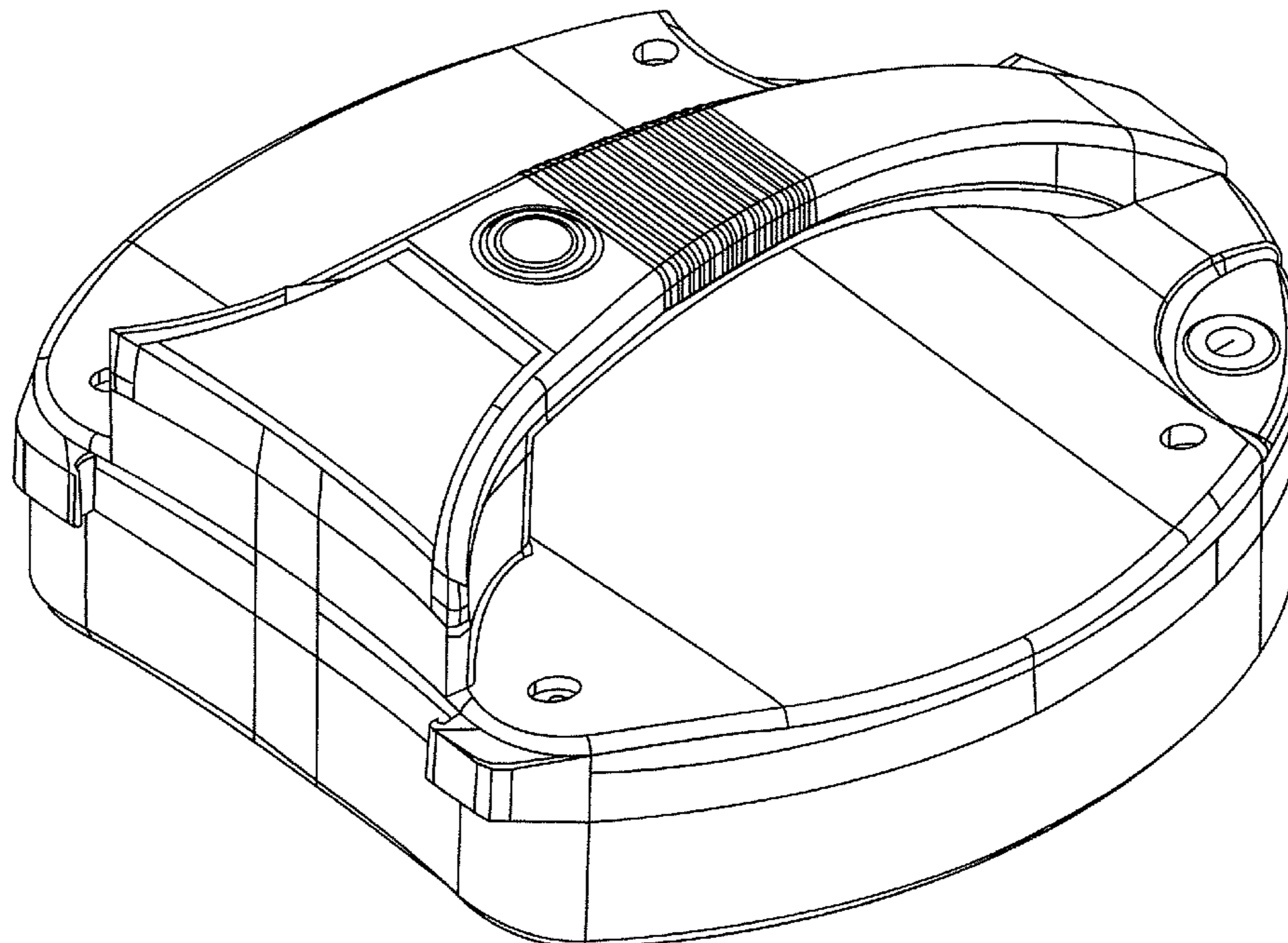
(57) **CLAIM**

The ornamental design for an electrocardiograph, as shown and described.

DESCRIPTION

FIG. 1 is a perspective view of an electrocardiograph;
FIG. 2 is another perspective view thereof;
FIG. 3 is a rear elevational view thereof;
FIG. 4 is a side elevational view thereof, the opposite side
being a mirror image;
FIG. 5 is a top plan view thereof; and,
FIG. 6 is a front elevational view thereof.
The rippled bottom surface shown in broken lines in FIGS. 3,
4, and 6 forms no part of the claimed design.

1 Claim, 6 Drawing Sheets



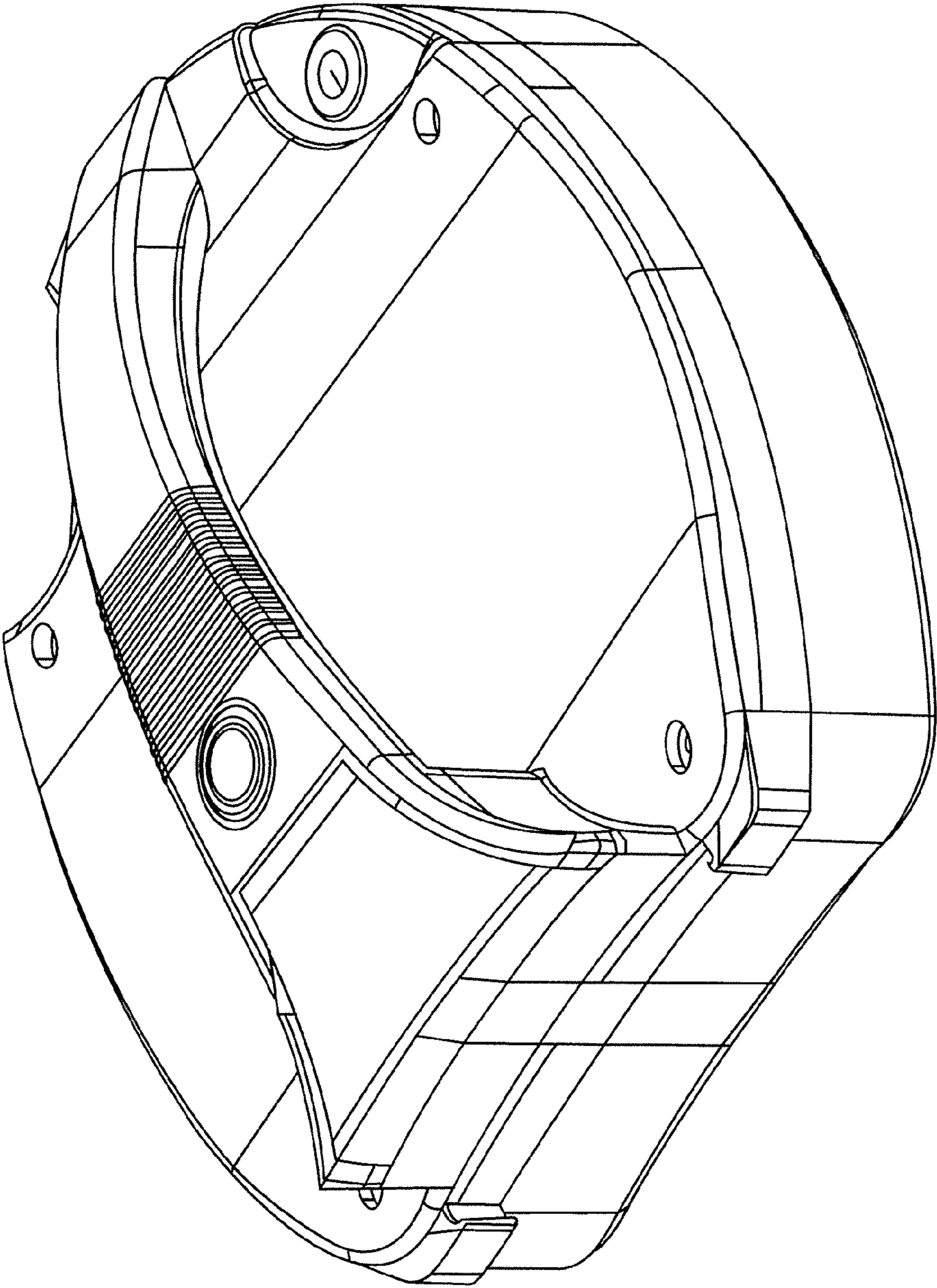


Figure 1

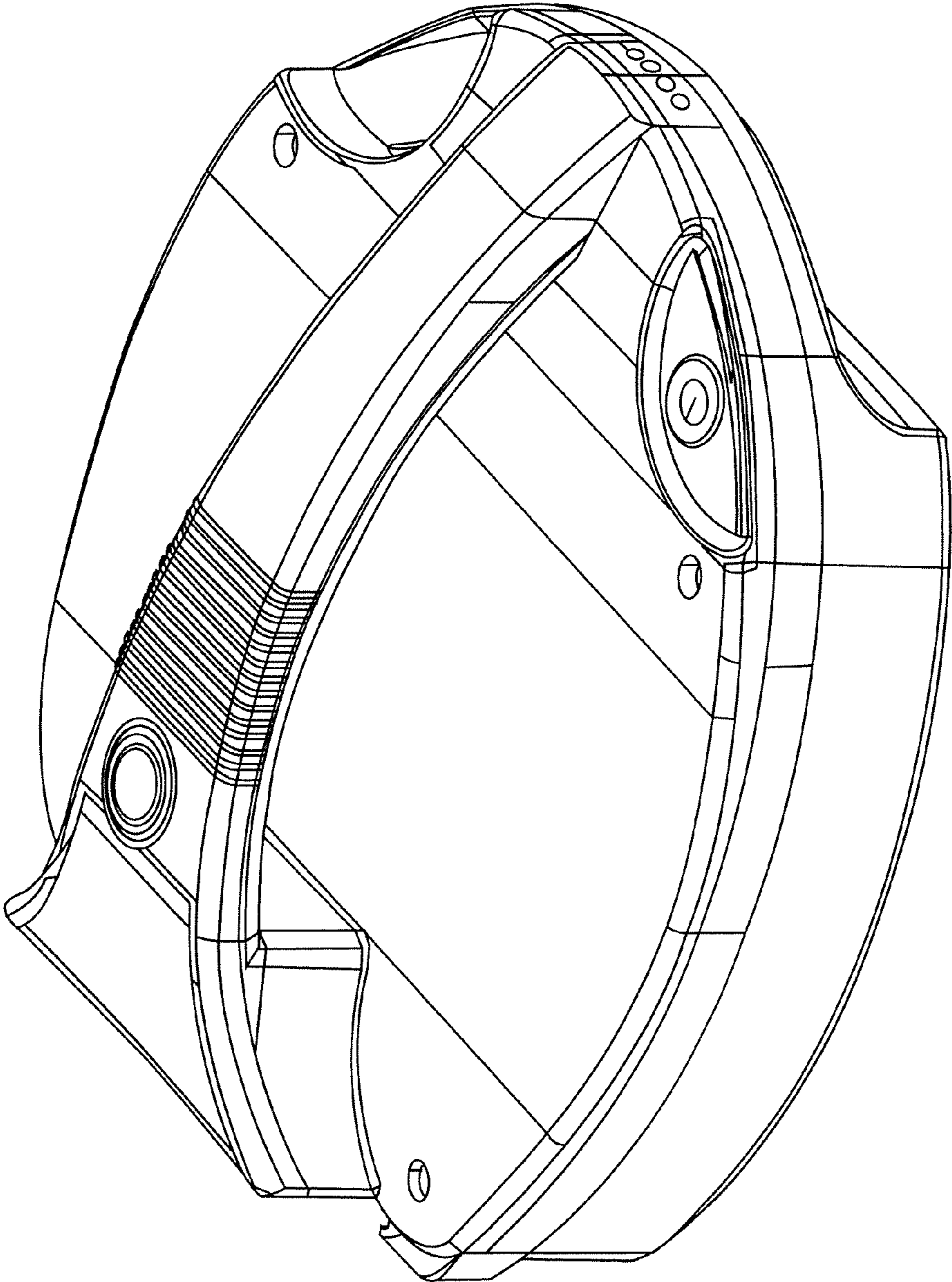


Figure 2

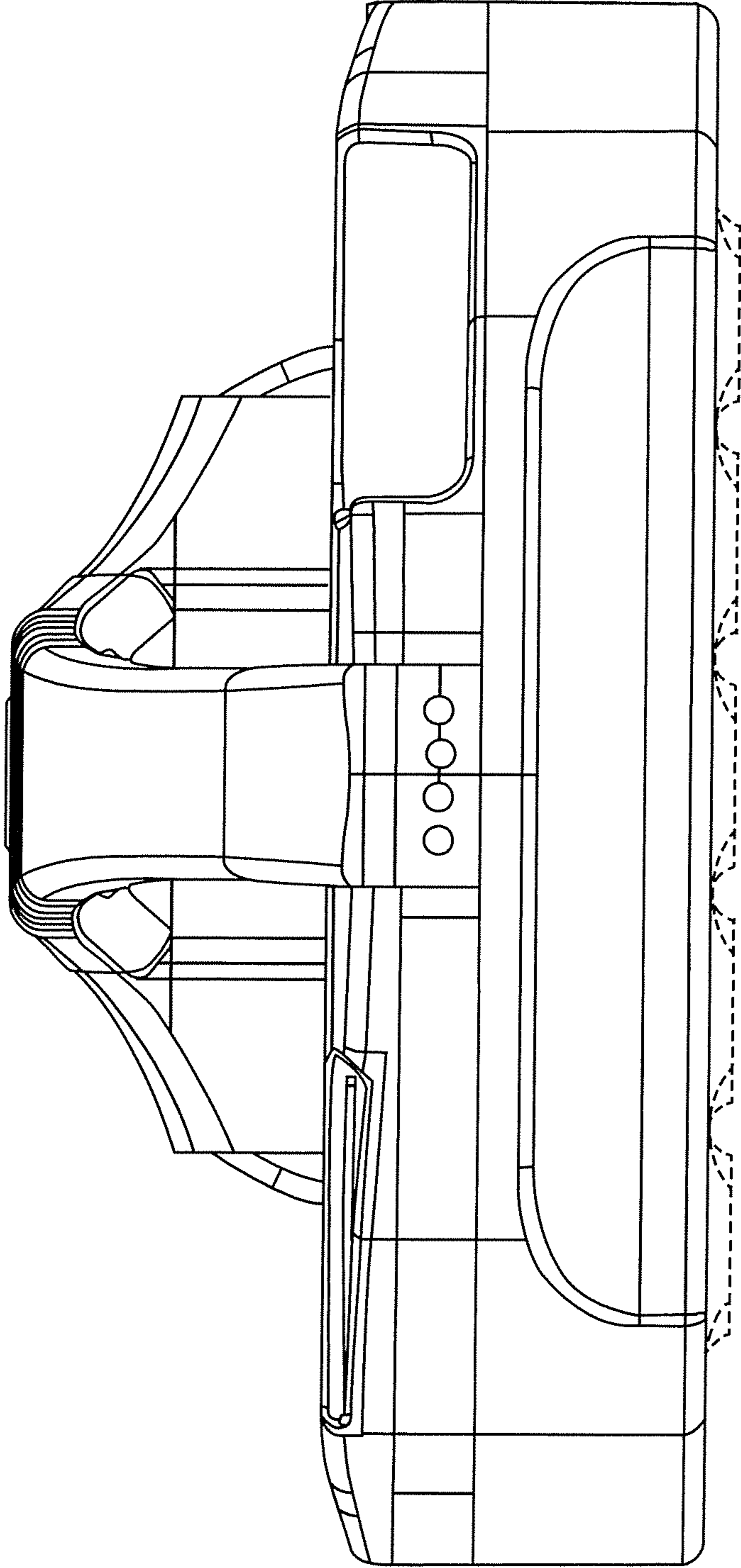


Figure 3

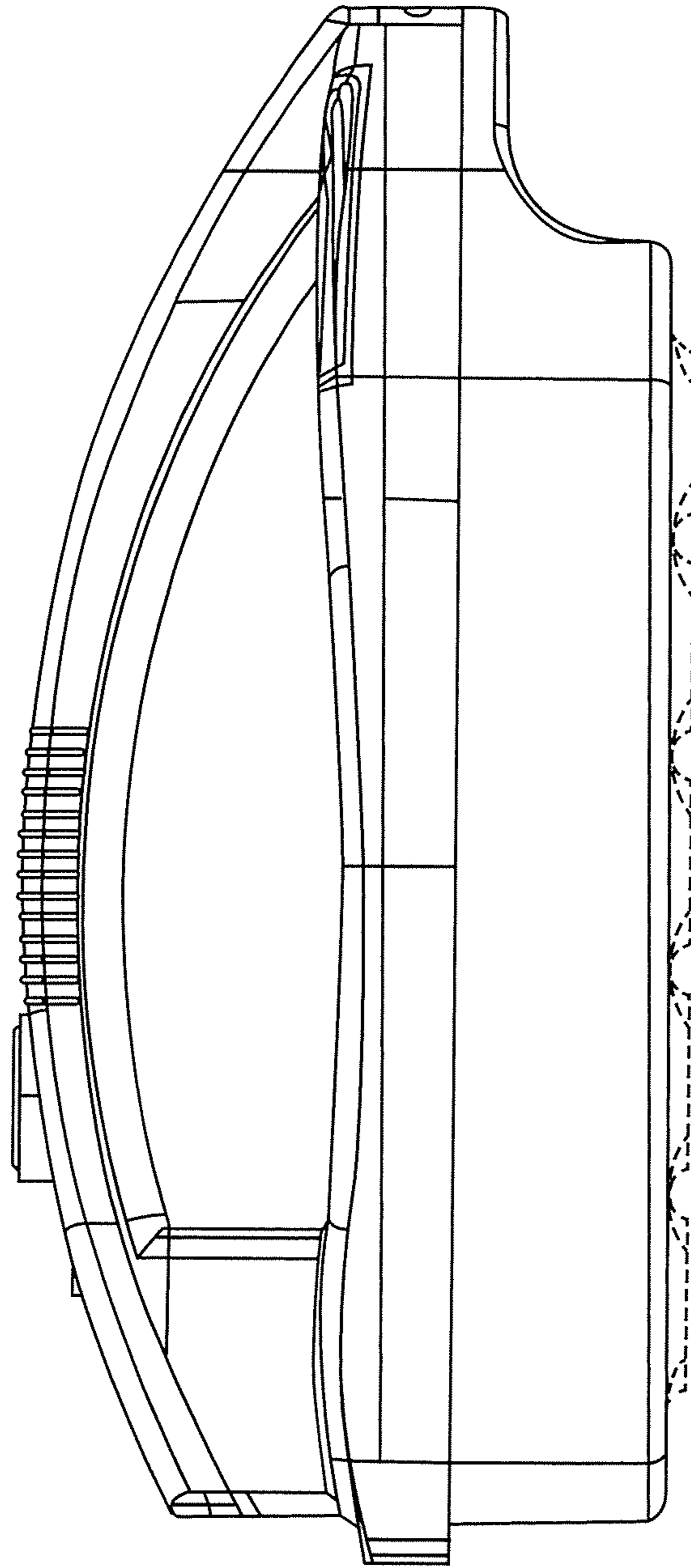


Figure 4

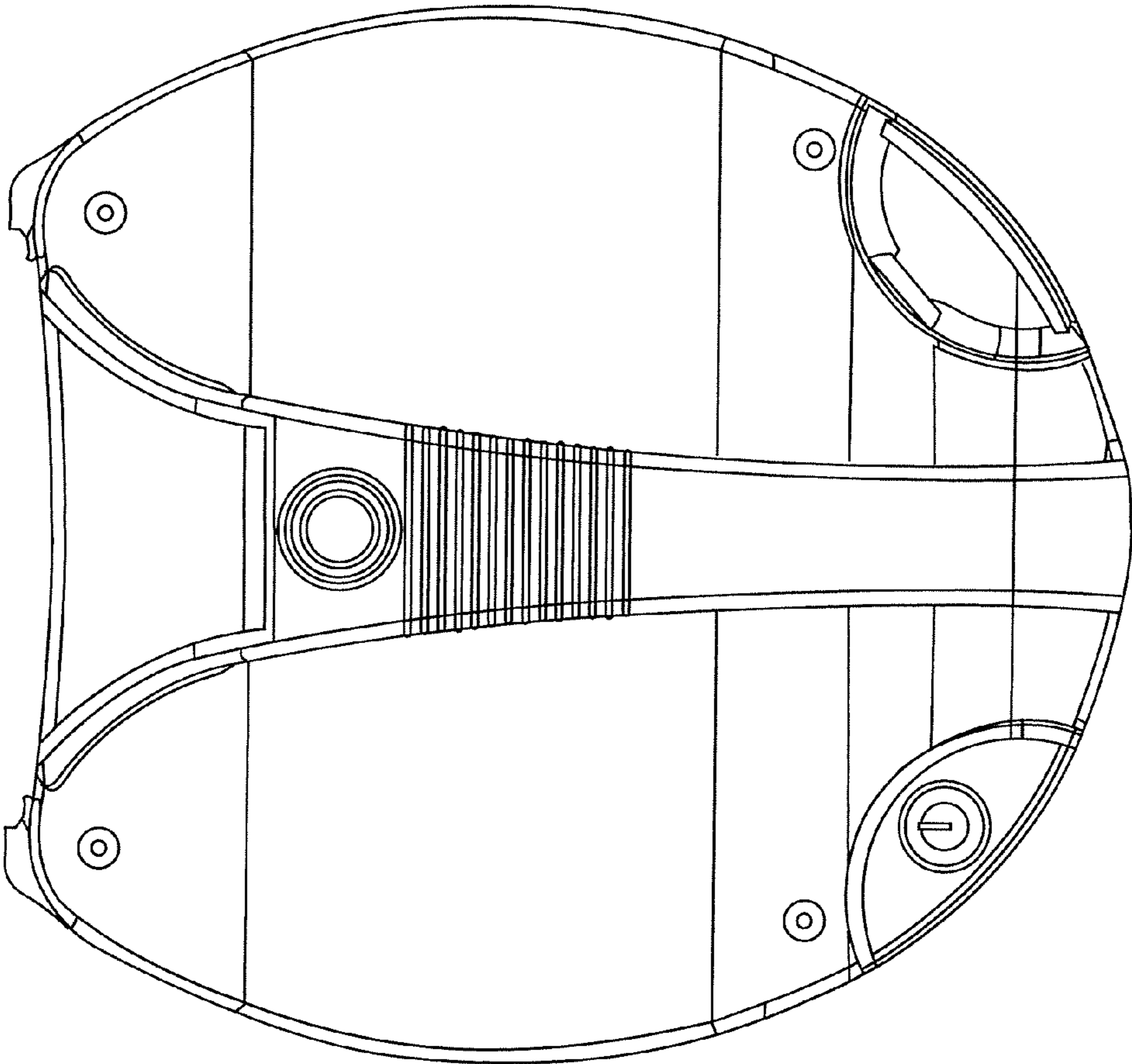


Figure 5

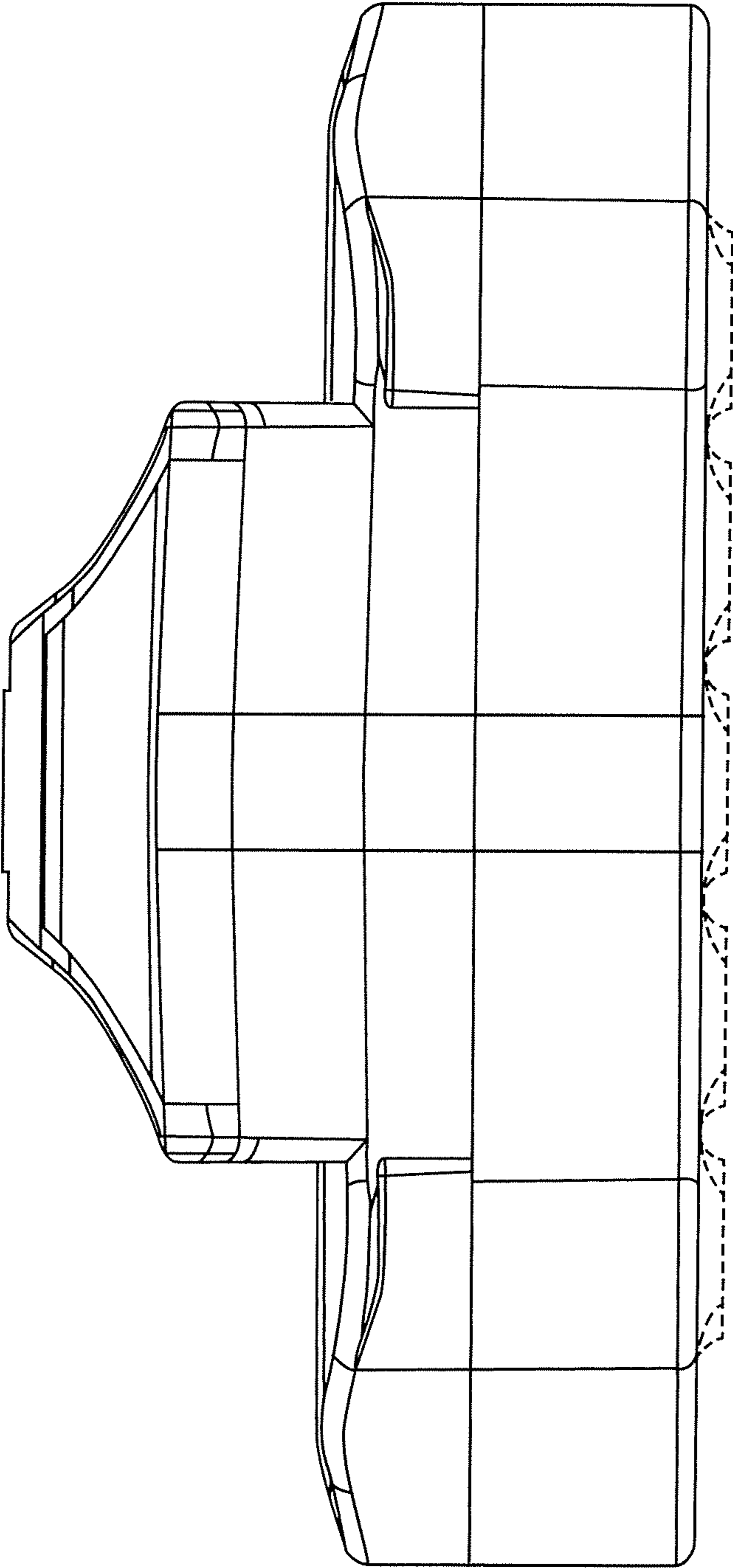


Figure 6