



US00D688796S

(12) **United States Design Patent**
Niunoya et al.

(10) **Patent No.:** **US D688,796 S**

(45) **Date of Patent:** **** Aug. 27, 2013**

(54) **CAP FOR A BLOOD COLLECTION TUBE**

(75) Inventors: **Masatoshi Niunoya**, Shunan (JP);
Ryusuke Okamoto, Shunan (JP)

(73) Assignee: **Sekisui Medical Co., Ltd.**, Tokyo (JP)

(**) Term: **14 Years**

(21) Appl. No.: **29/403,130**

(22) Filed: **Sep. 30, 2011**

(30) **Foreign Application Priority Data**

Jun. 14, 2011 (JP) 2011-013436

(51) **LOC (9) Cl.** **24-04**

(52) **U.S. Cl.**
USPC **D24/127**

(58) **Field of Classification Search**
USPC D24/127-131, 112-114, 224, 133,
D24/186; 606/181, 185; 604/232, 187, 158,
604/164.08, 192, 263, 163, 181, 184, 198,
604/227; 600/101, 139, 143, 576; 128/200.24,
128/207.14, 207.15; D9/436, 439, 453;
435/307.1; 422/529

See application file for complete search history.

(56) **References Cited**

U.S. PATENT DOCUMENTS

3,589,983	A *	6/1971	Holderith et al.	D24/224
4,712,671	A *	12/1987	Salacuse	D9/453
D328,033	S *	7/1992	DiGuisseppi	D9/439
5,527,513	A *	6/1996	Burns	422/549
D442,090	S *	5/2001	Jackson et al.	D9/453
7,090,646	B2 *	8/2006	McKinnon et al.	600/576
D561,587	S *	2/2008	Lin	D9/453
D564,355	S *	3/2008	Berman	D9/453
D566,555	S *	4/2008	Berman	D9/453
D581,049	S *	11/2008	Sudo	D24/130
D621,522	S *	8/2010	Wilkinson	D24/224
D631,350	S *	1/2011	Beach et al.	D9/453

2005/0065454 A1* 3/2005 Manoussakis 600/576

* cited by examiner

Primary Examiner — David Muller

(74) *Attorney, Agent, or Firm* — Cheng Law Group, PLLC

(57) **CLAIM**

The ornamental design for a cap for a blood collection tube, as shown and described.

DESCRIPTION

FIG. 1 is a front elevational view of a cap for a blood collection tube, showing our new design;

FIG. 2 is a rear elevational view thereof;

FIG. 3 is a right side elevational view thereof, with the left side elevational view being identical thereto;

FIG. 4 is a top plan view thereof;

FIG. 5 is a bottom plan view thereof;

FIG. 6 is a cross sectional view thereof; taken along the line 6-6 of FIG. 1;

FIG. 7 is a bottom plan view of a cover member of the cap;

FIG. 8 is a perspective view thereof;

FIG. 9 is a cross sectional view thereof; taken along the line 9-9 of FIG. 7;

FIG. 10 is a front elevational view of a stopper member of the cap;

FIG. 11 is a top plan view thereof;

FIG. 12 is a bottom plan view thereof; and,

FIG. 13 is a cross sectional view thereof; taken along the line 13-13 of FIG. 10.

The article related to the present design application is a cap for a blood collection tube shown in FIGS. 1-6. The cap for the blood collection tube shown in FIGS. 1-6 consists of a cover member which is shown in detail in FIGS. 7-9 and a stopper member which is shown in detail in FIGS. 10-13. The cover member covers the stopper member and is united with the stopper member after insertion of the stopper member into the cover member. FIG. 6 (which illustrates the cross sectional view taken along line 6-6 of FIG. 1) shows the stopper member at the center area of FIG. 6 and the cover member is shown surrounding the stopper member in FIG. 6.

1 Claim, 13 Drawing Sheets

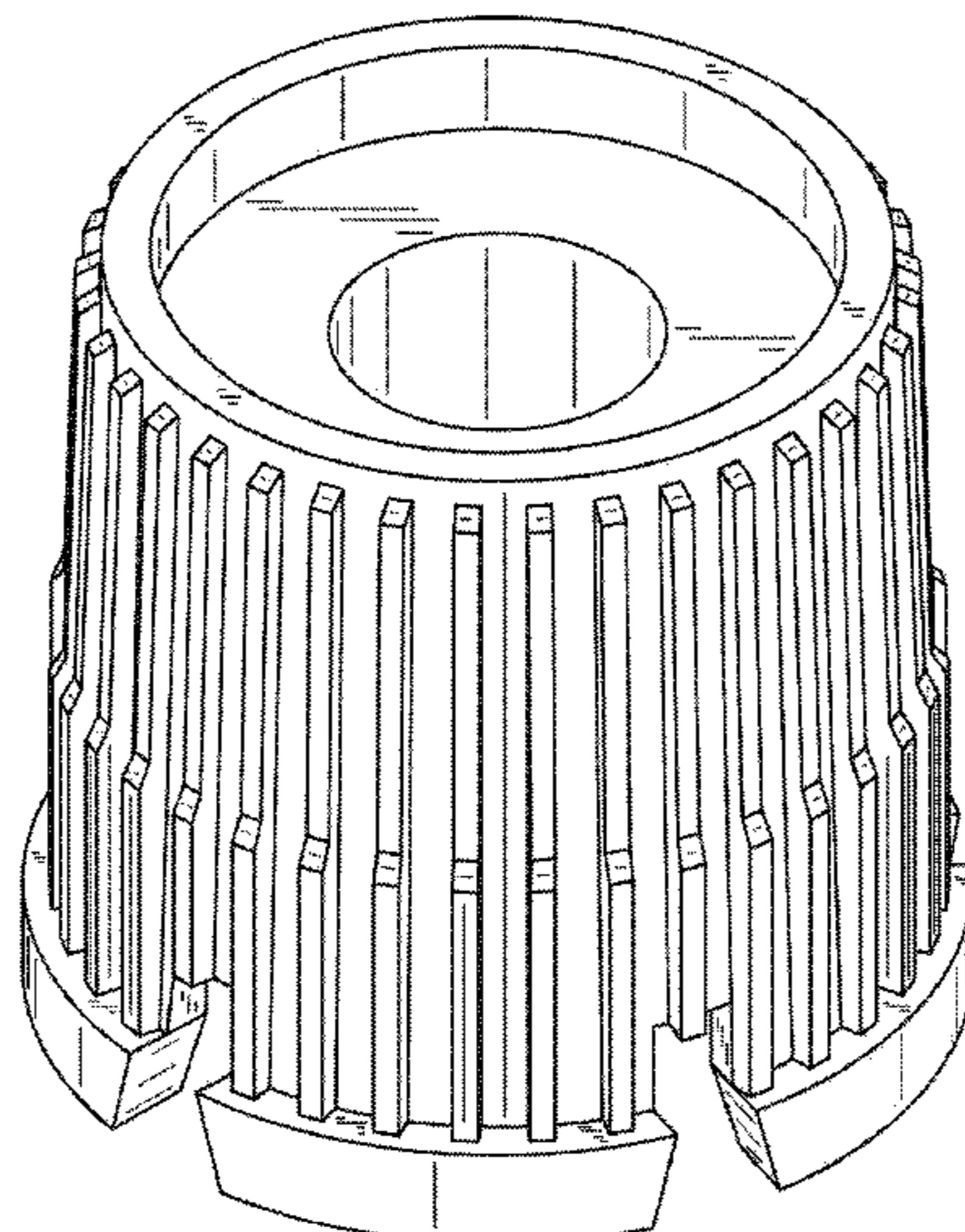


FIG. 1

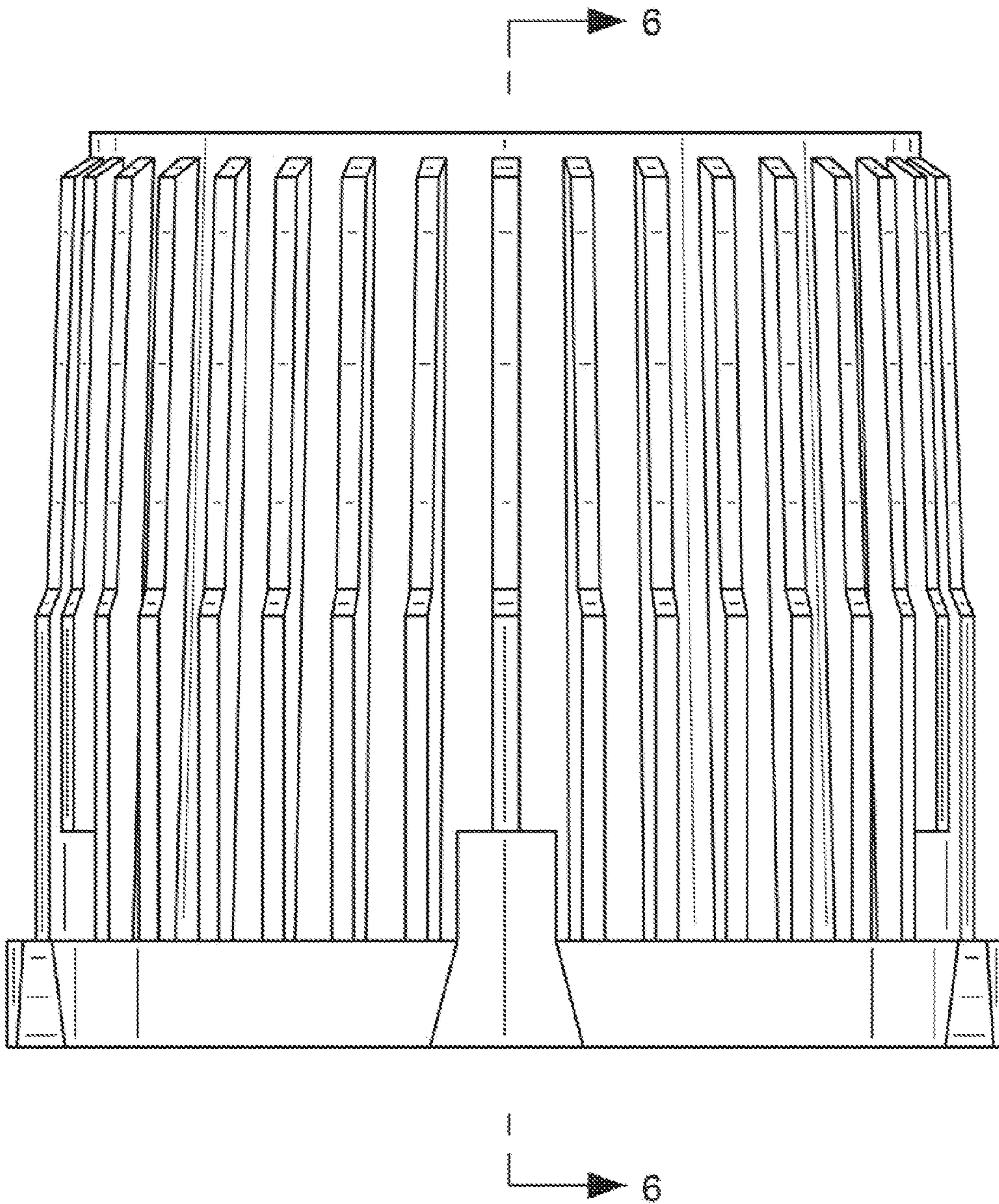


FIG.2

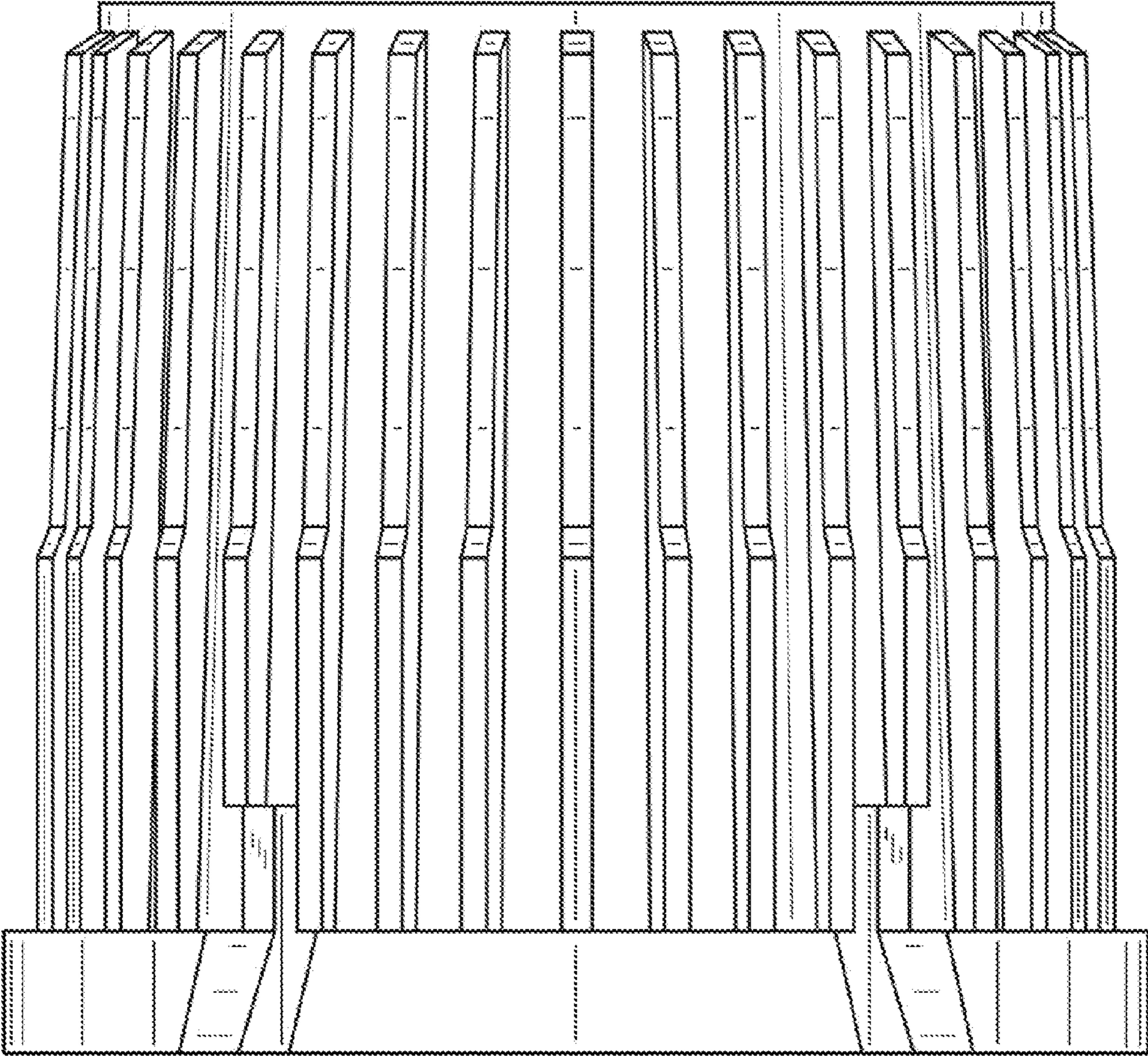


FIG.3

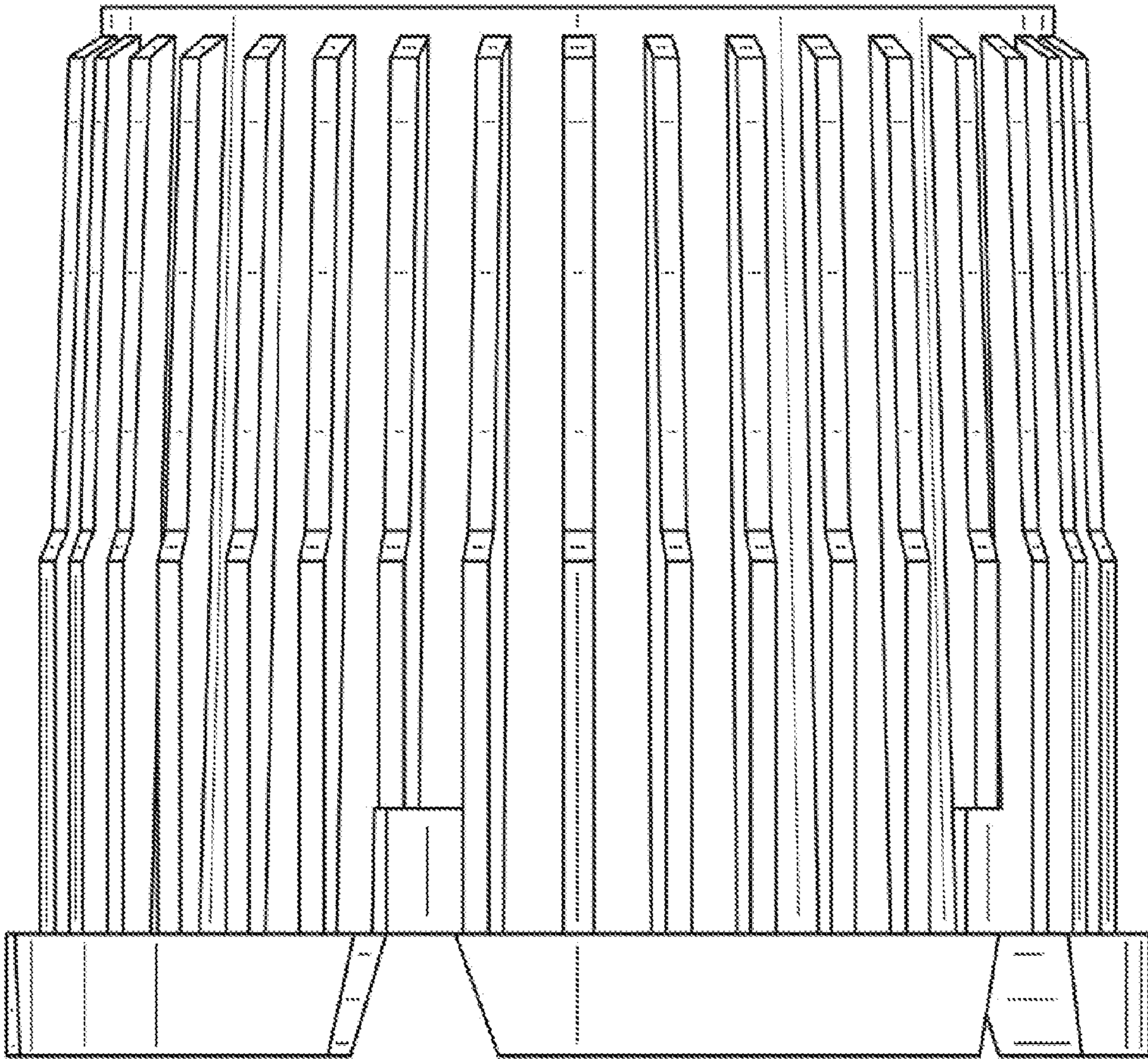


FIG.4

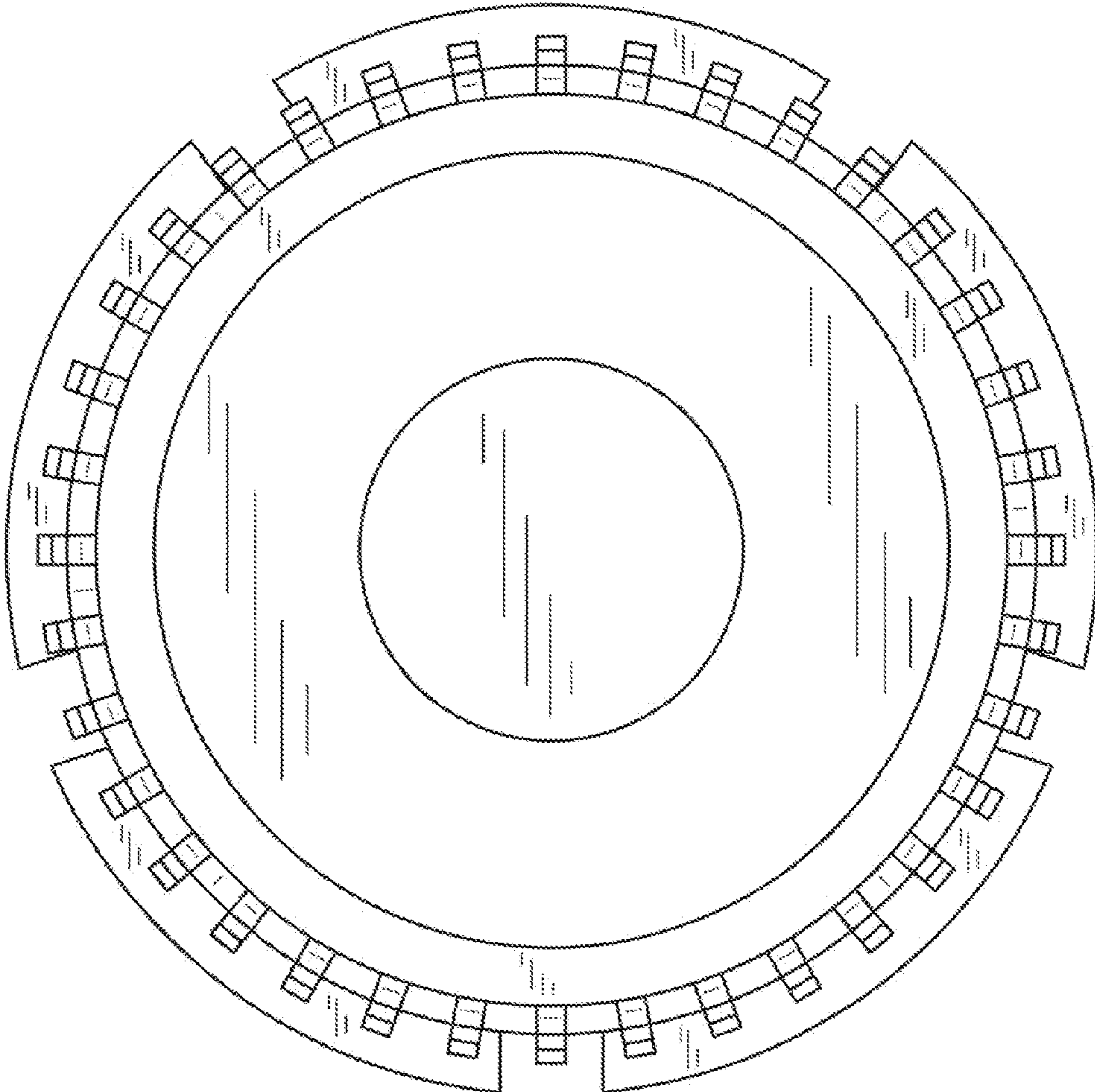


FIG.5

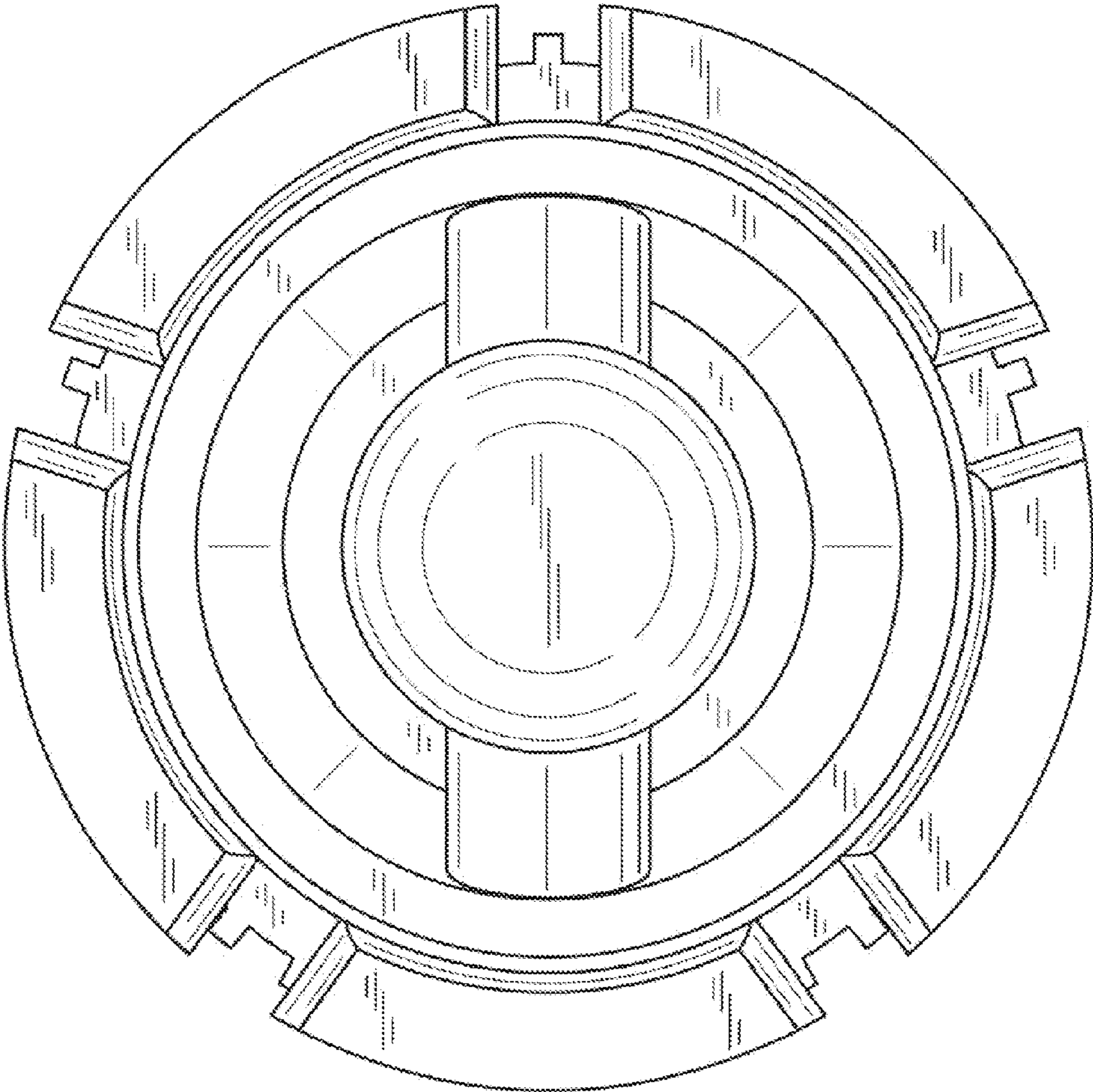


FIG.6

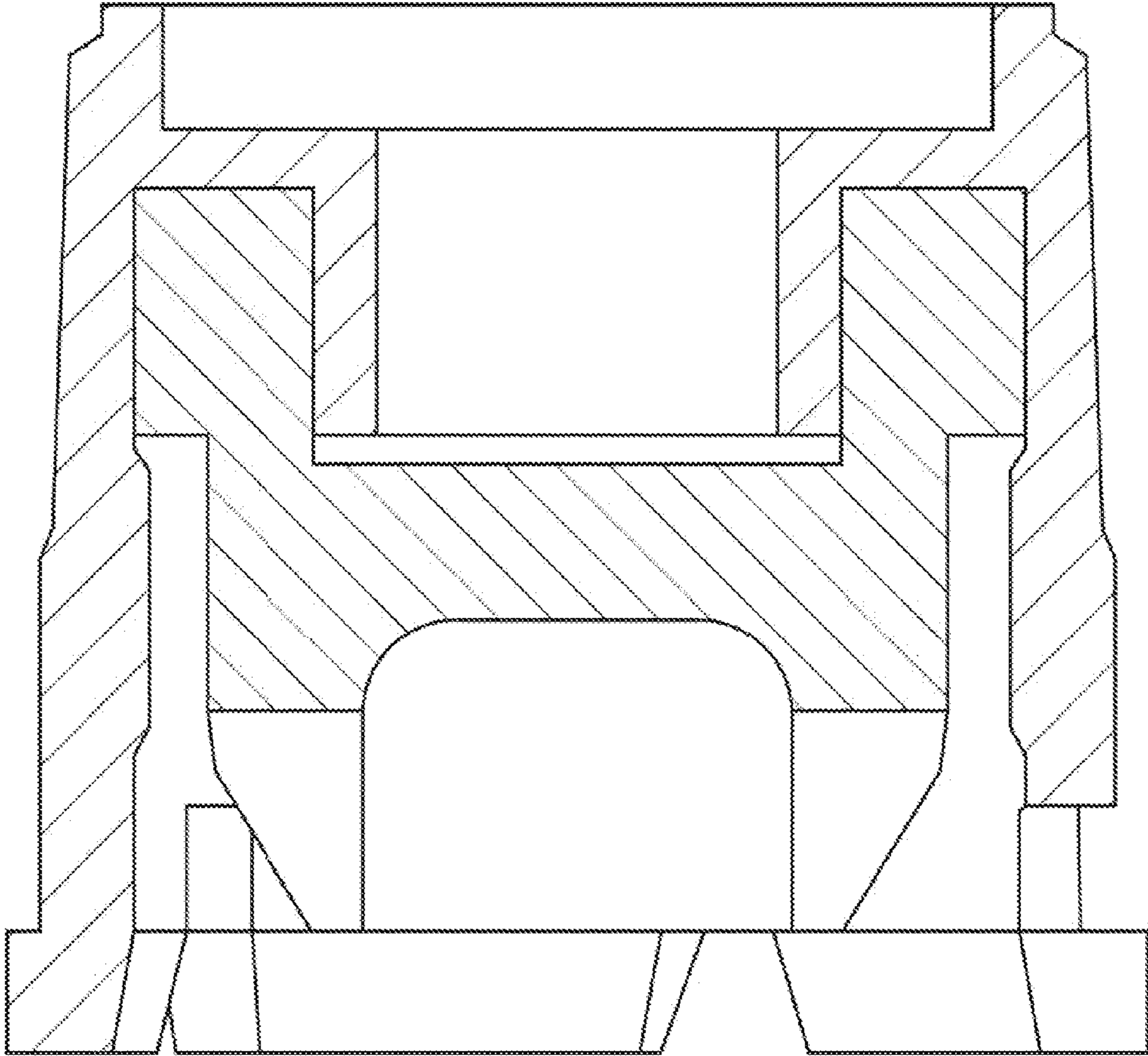


FIG.7

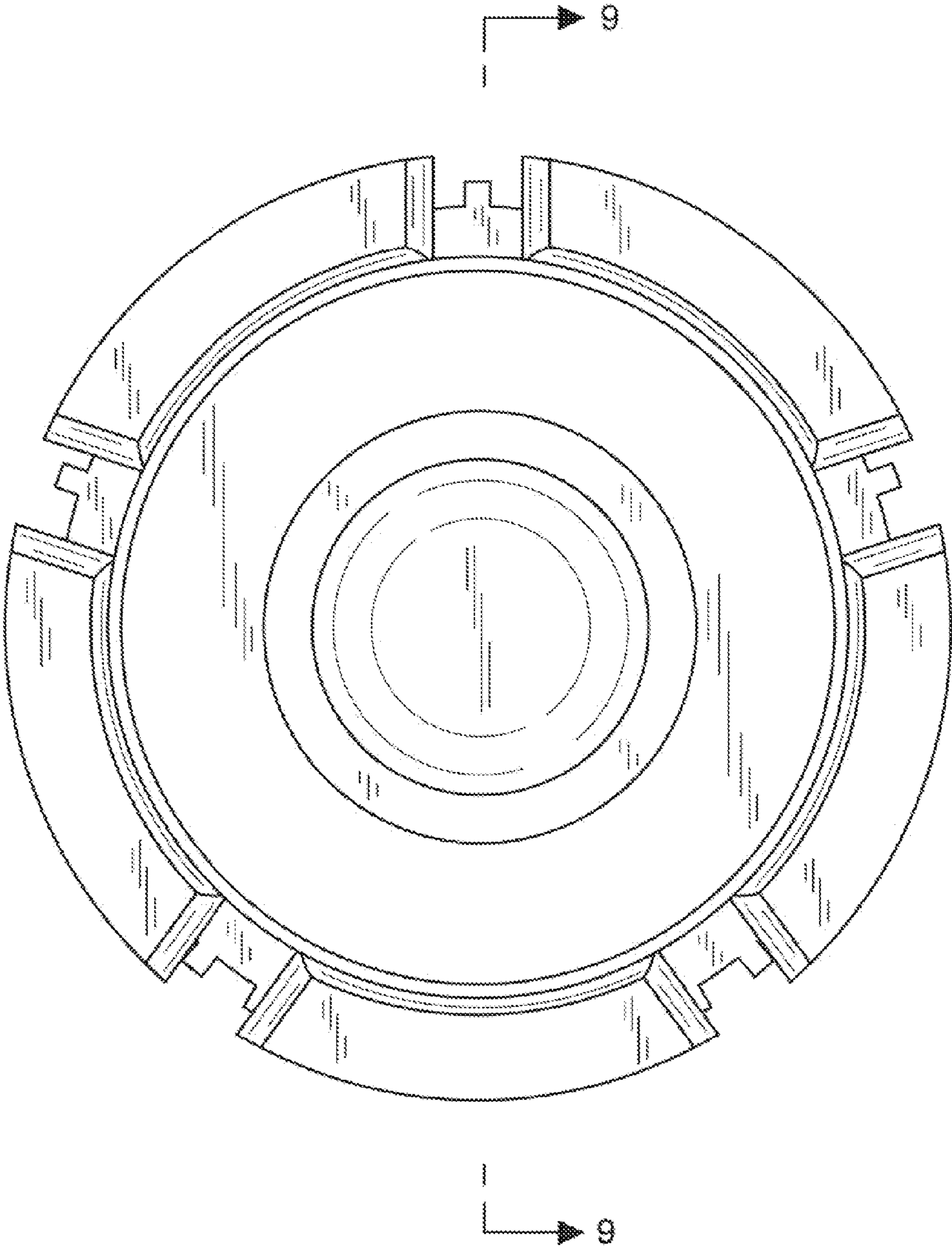


FIG.8

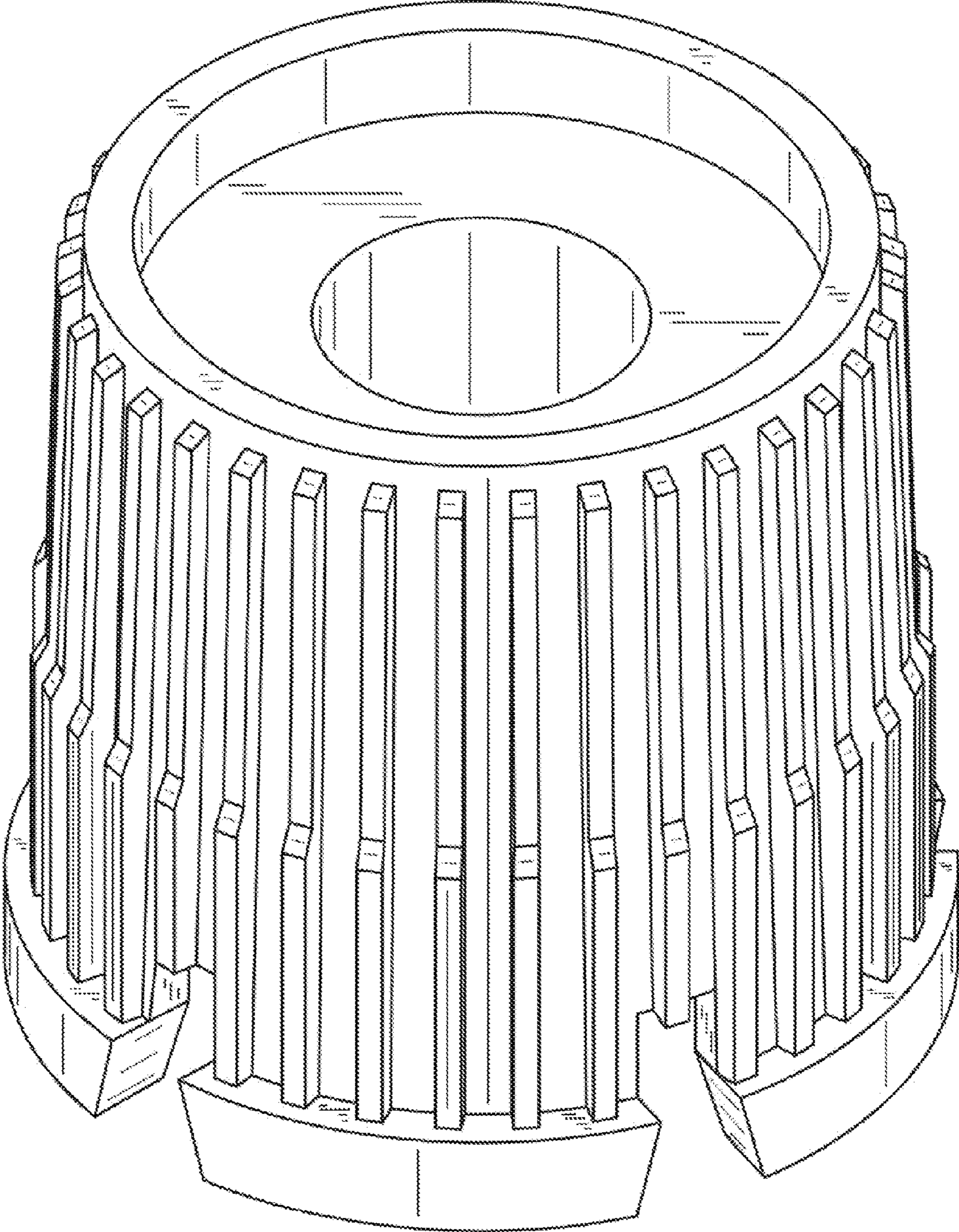


FIG.9

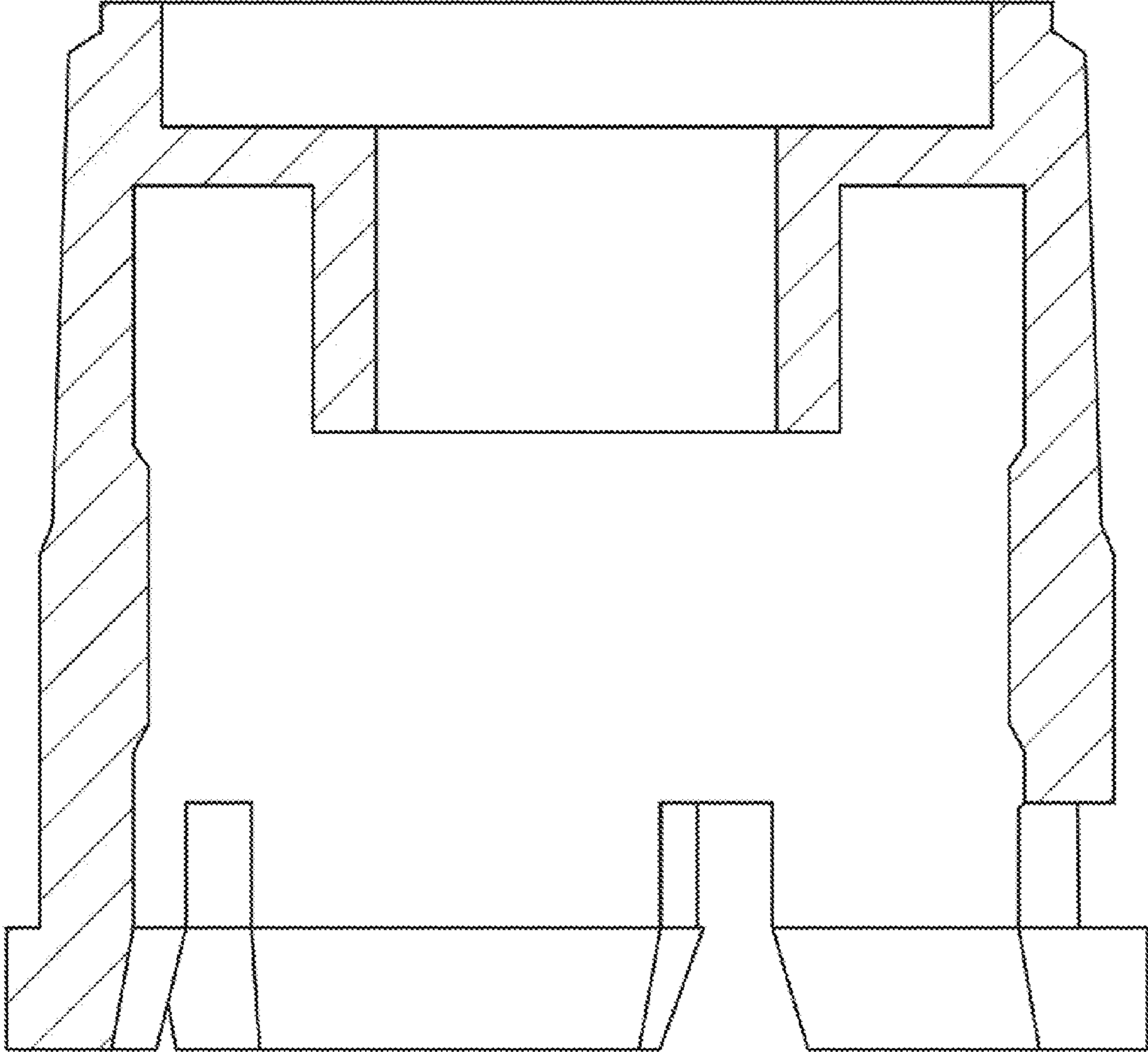


FIG. 10

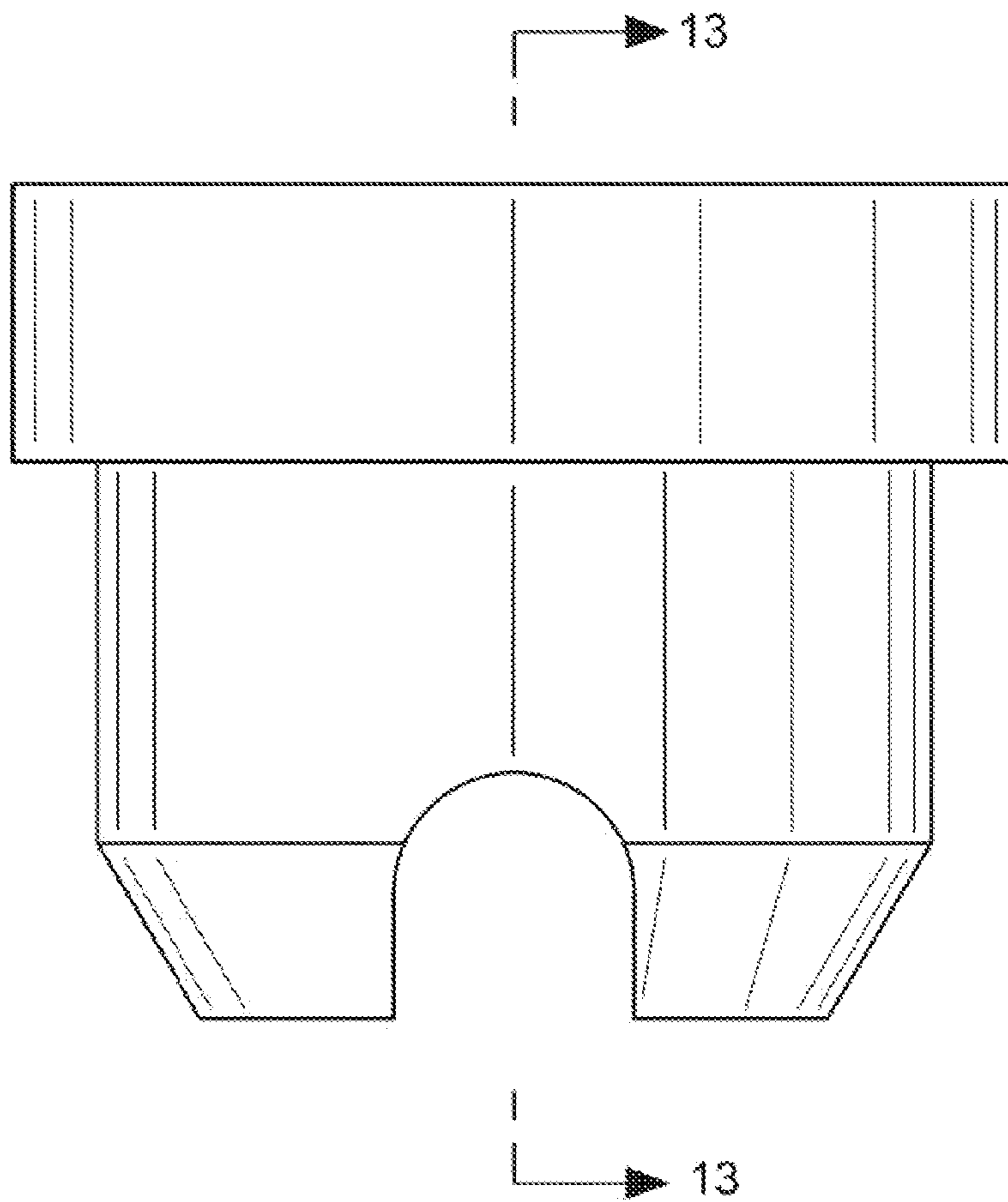


FIG.11

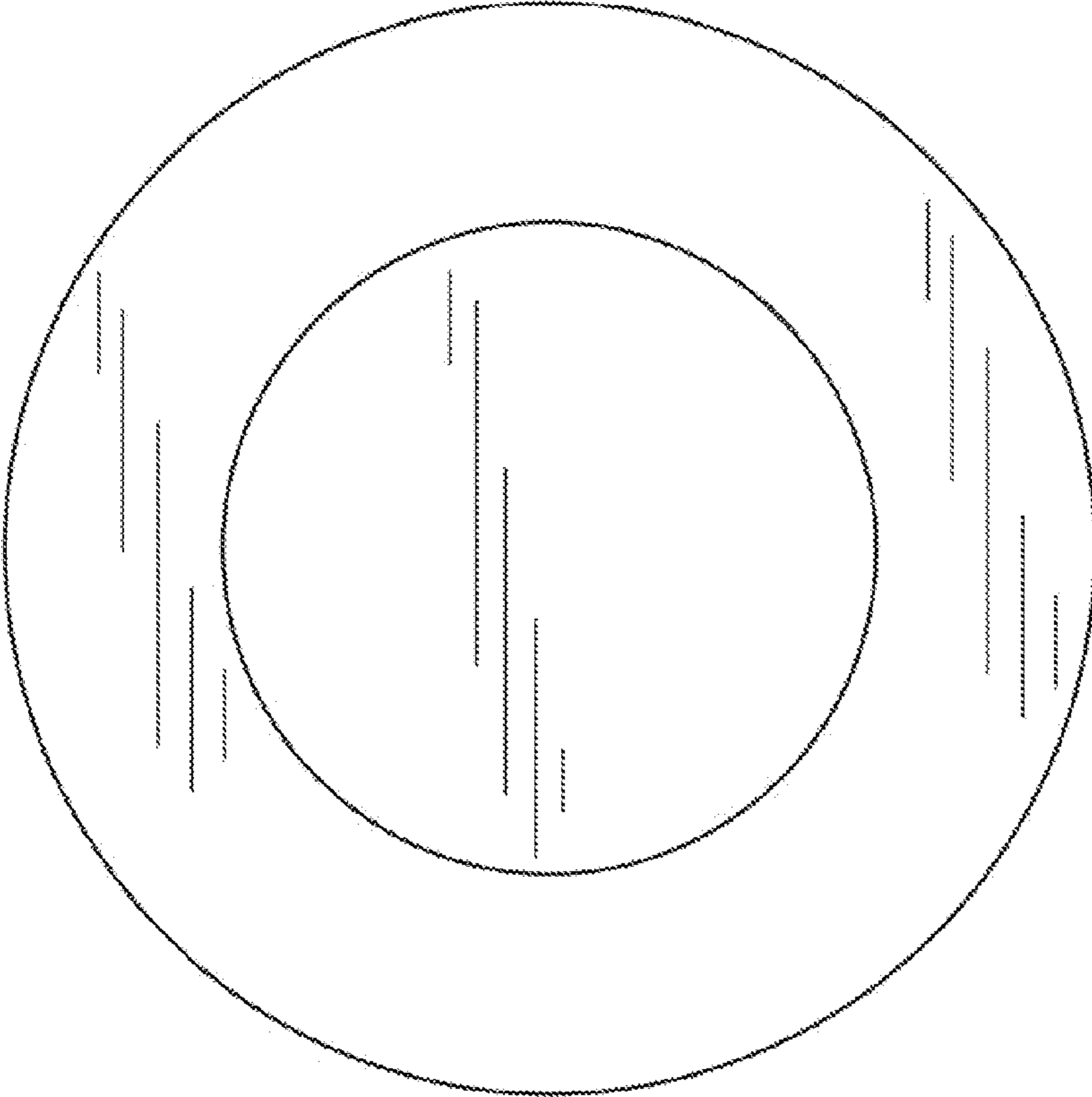


FIG.12

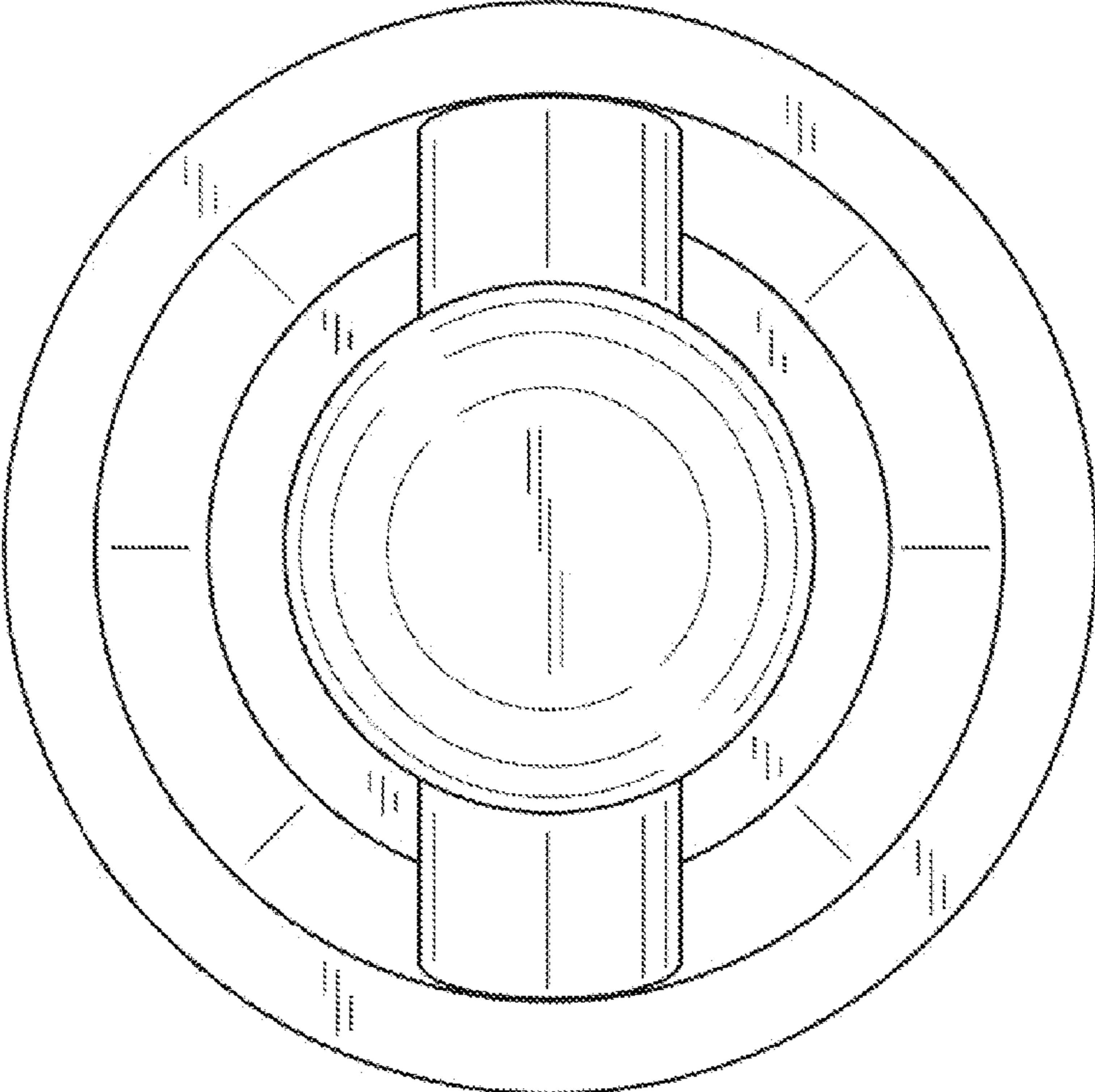


FIG. 13

