



US00D688795S

(12) **United States Design Patent**  
**Matsuura**

(10) **Patent No.:** **US D688,795 S**

(45) **Date of Patent:** **\*\* Aug. 27, 2013**

(54) **SPERM SAMPLER**

*Primary Examiner* — David Muller

(75) Inventor: **Tsutomu Matsuura**, Nakano-ku (JP)

(74) *Attorney, Agent, or Firm* — Masuvalley & Partners

(73) Assignee: **Tenga Co., Ltd.**, Nakano-ku (JP)

(\*\*) Term: **14 Years**

(57) **CLAIM**

The ornamental design for a sperm sampler, as shown and described.

(21) Appl. No.: **29/375,187**

(22) Filed: **Sep. 17, 2010**

(30) **Foreign Application Priority Data**

**DESCRIPTION**

Mar. 18, 2010 (JP) ..... D2010-006723

(51) **LOC (9) Cl.** ..... **24-04**

(52) **U.S. Cl.**  
USPC ..... **D24/121**

(58) **Field of Classification Search**  
USPC ..... D24/121, 107, 108, 224, 216, 215,  
D24/130, 144, 111; D9/730, 733, 547, 432,  
D9/529, 782; 604/317, 318; 600/573, 579,  
600/584; D7/589; 222/136, 129  
See application file for complete search history.

FIG. 1 is a front elevation view of a sperm sampler in accordance with one embodiment of the present invention.

FIG. 2 is a rear elevation view of the sperm sampler in accordance with one embodiment of the present invention.

FIG. 3 is a right elevation view of the sperm sampler in accordance with one embodiment of the present invention.

FIG. 4 is a left elevation view of the sperm sampler in accordance with one embodiment of the present invention.

FIG. 5 is a top plan view of the sperm sampler in accordance with one embodiment of the present invention.

FIG. 6 is a bottom plan view of the sperm sampler in accordance with one embodiment of the present invention.

FIG. 7 is a perspective view of the sperm sampler in accordance with one embodiment of the present invention.

FIG. 8 is a perspective view of the sperm sampler in accordance with one embodiment of the present invention.

FIG. 9 is a perspective view of the sperm sampler showing a base portion in broken lines separated from the device; and, FIG. 10 is a perspective view of the sperm sampler showing a base portion in broken lines attached to the device.

The broken line showing of parts of the drawings is included for the purpose of illustrating use and environment and forms no part of the claimed design.

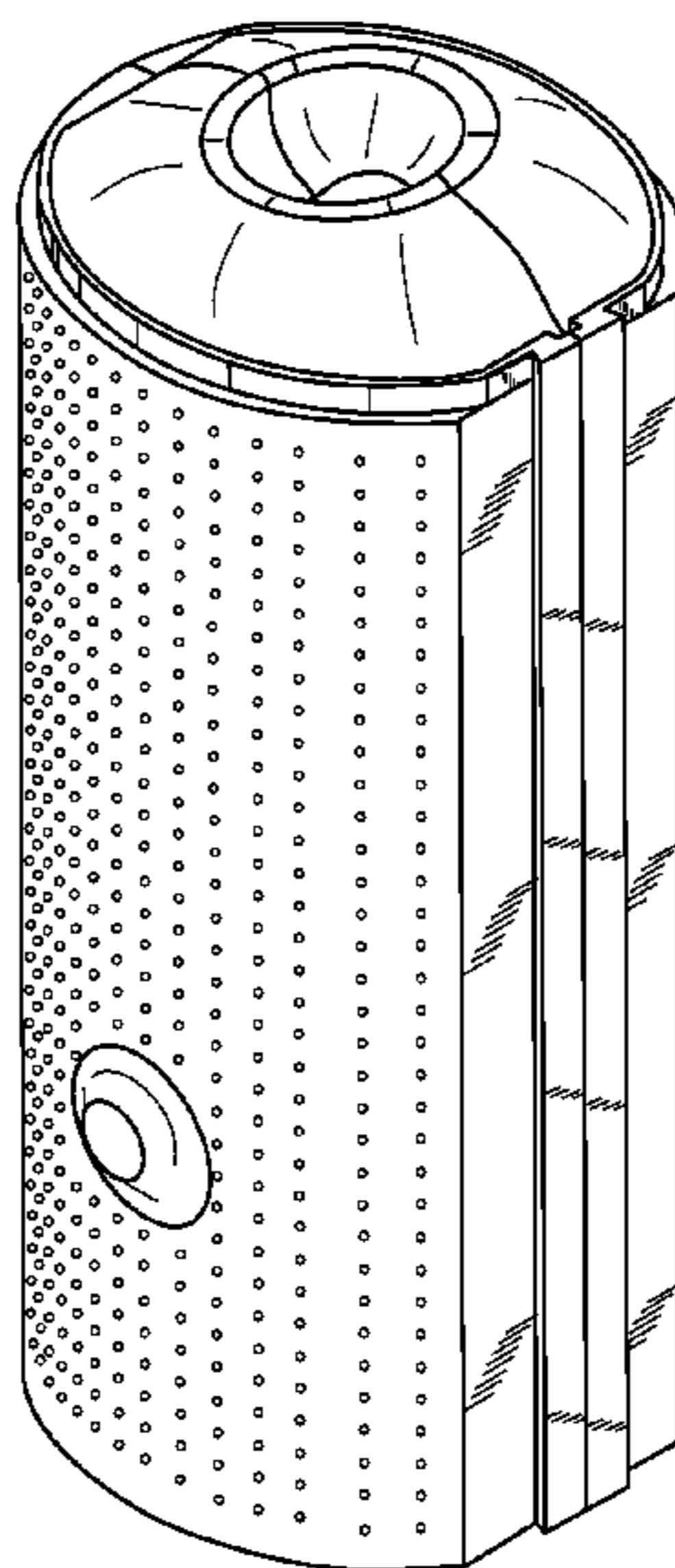
(56) **References Cited**

U.S. PATENT DOCUMENTS

4,981,144	A *	1/1991	Carels, Jr.	600/573
6,464,108	B2 *	10/2002	Corba	222/136
D500,555	S *	1/2005	Hellstrom	D24/224
D505,493	S *	5/2005	Ryan	D24/216
D553,254	S *	10/2007	Colin et al.	D24/224
D561,908	S *	2/2008	Py et al.	D24/224
D583,058	S *	12/2008	Short	D24/216
D596,290	S *	7/2009	Kawamura	D24/130
D598,095	S *	8/2009	Hansen	D24/144
D620,604	S *	7/2010	Alford	D24/224
D625,406	S *	10/2010	Seki et al.	D24/111
7,874,420	B2 *	1/2011	Coon	222/129
D660,451	S *	5/2012	Matsuura	D24/216

\* cited by examiner

**1 Claim, 10 Drawing Sheets**



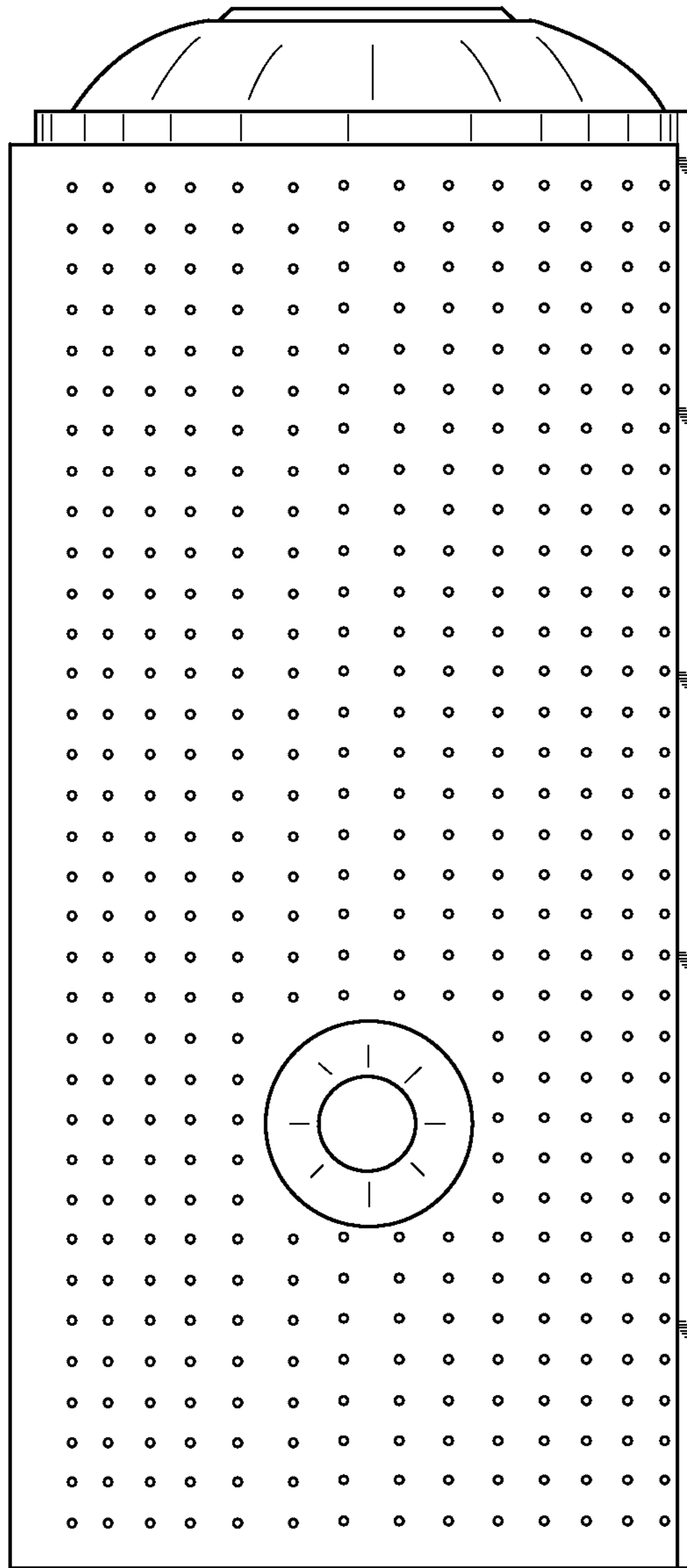


Figure 1

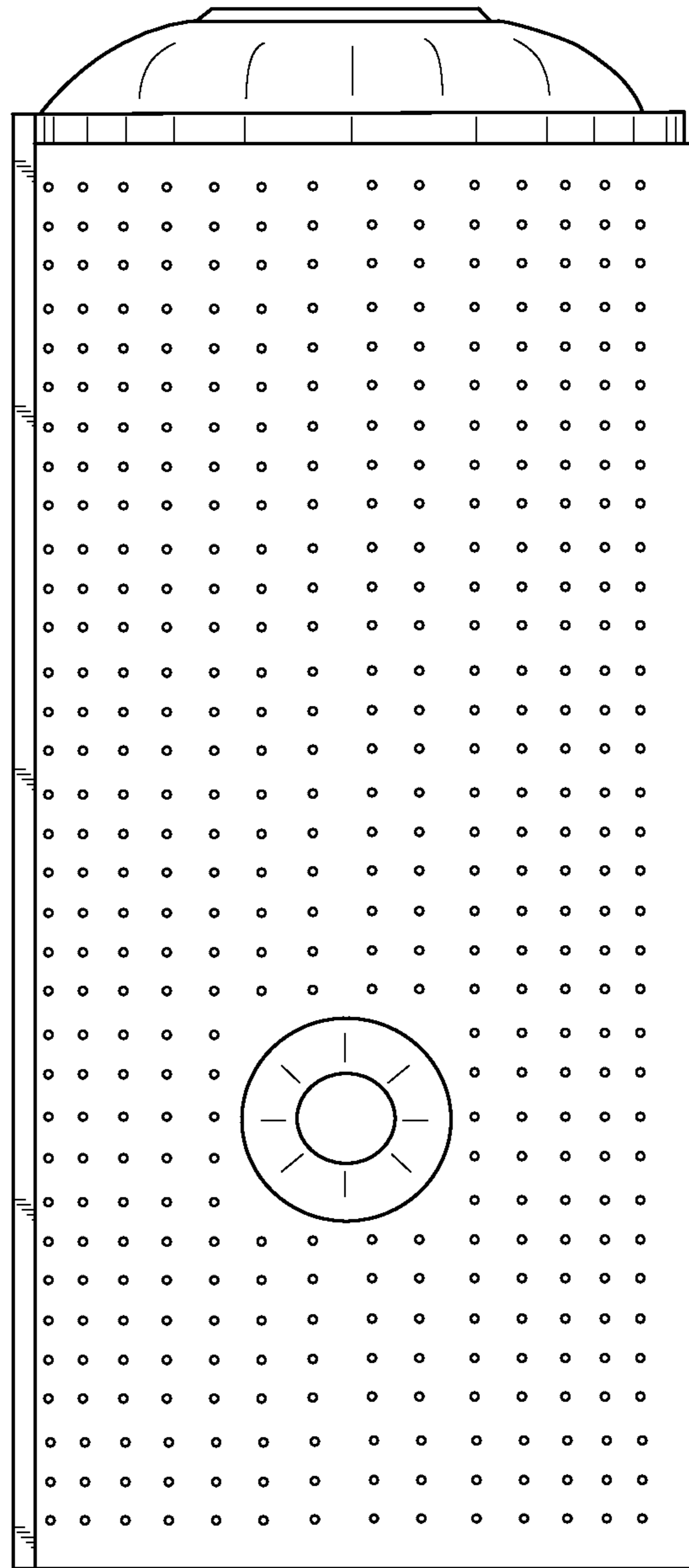


Figure 2

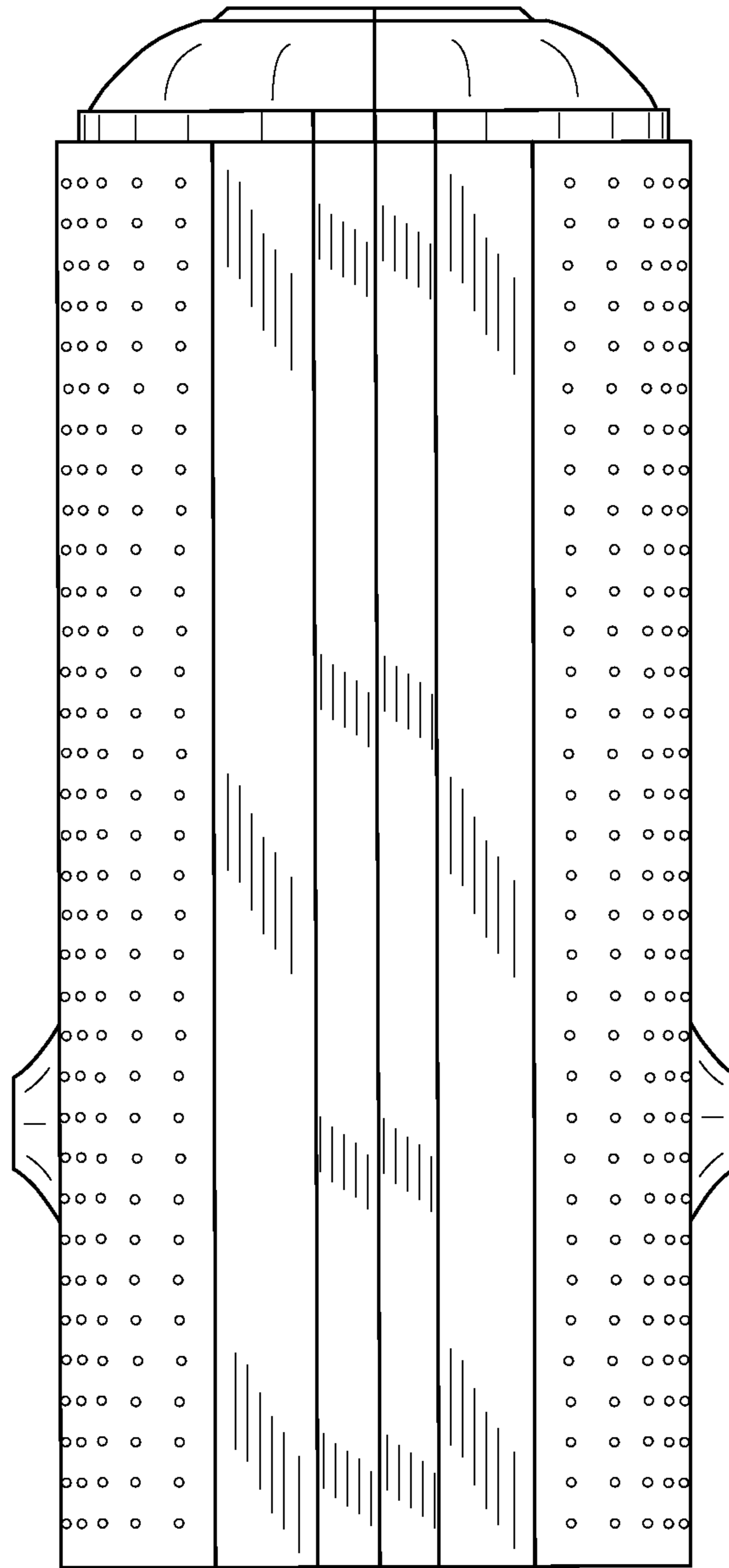


Figure 3

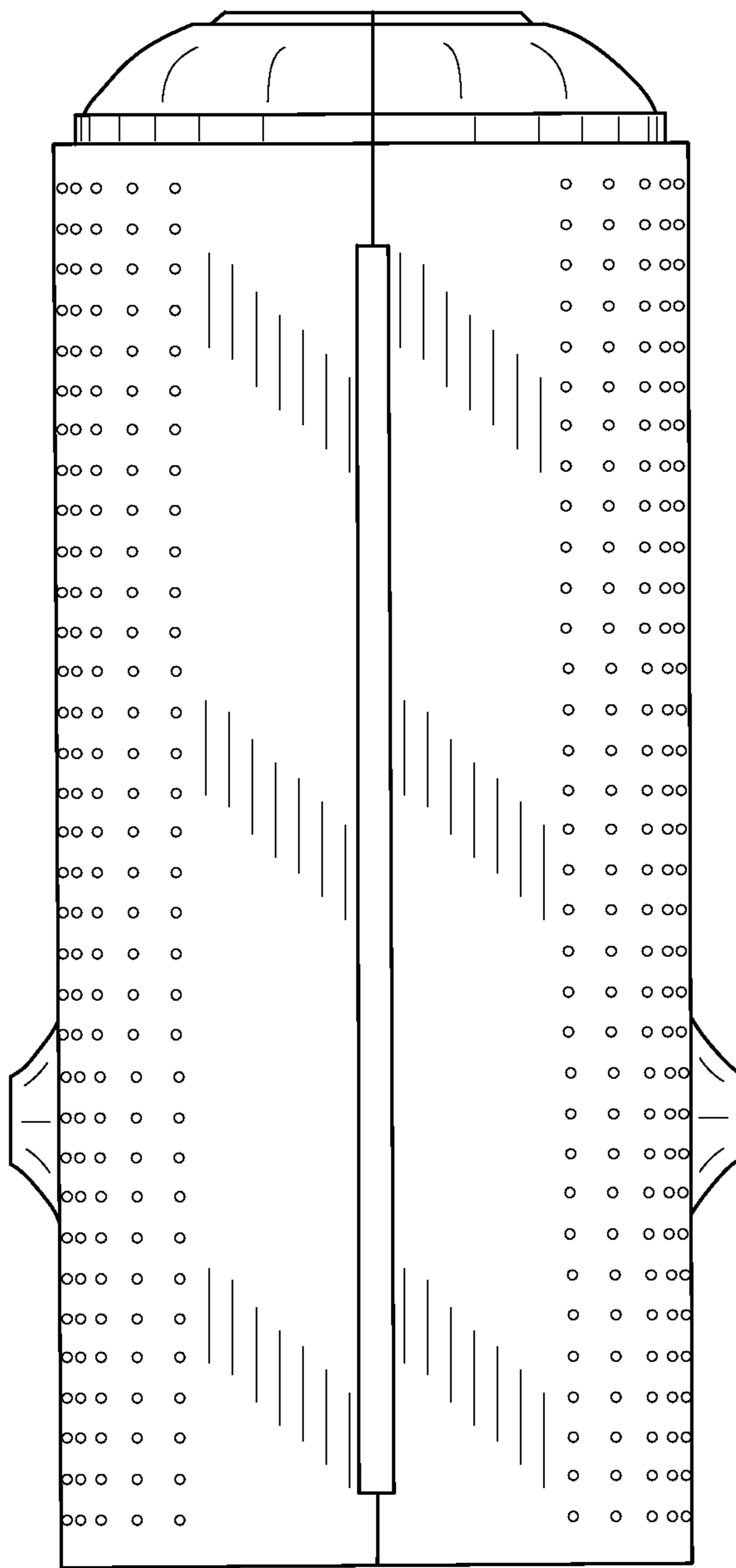


Figure 4

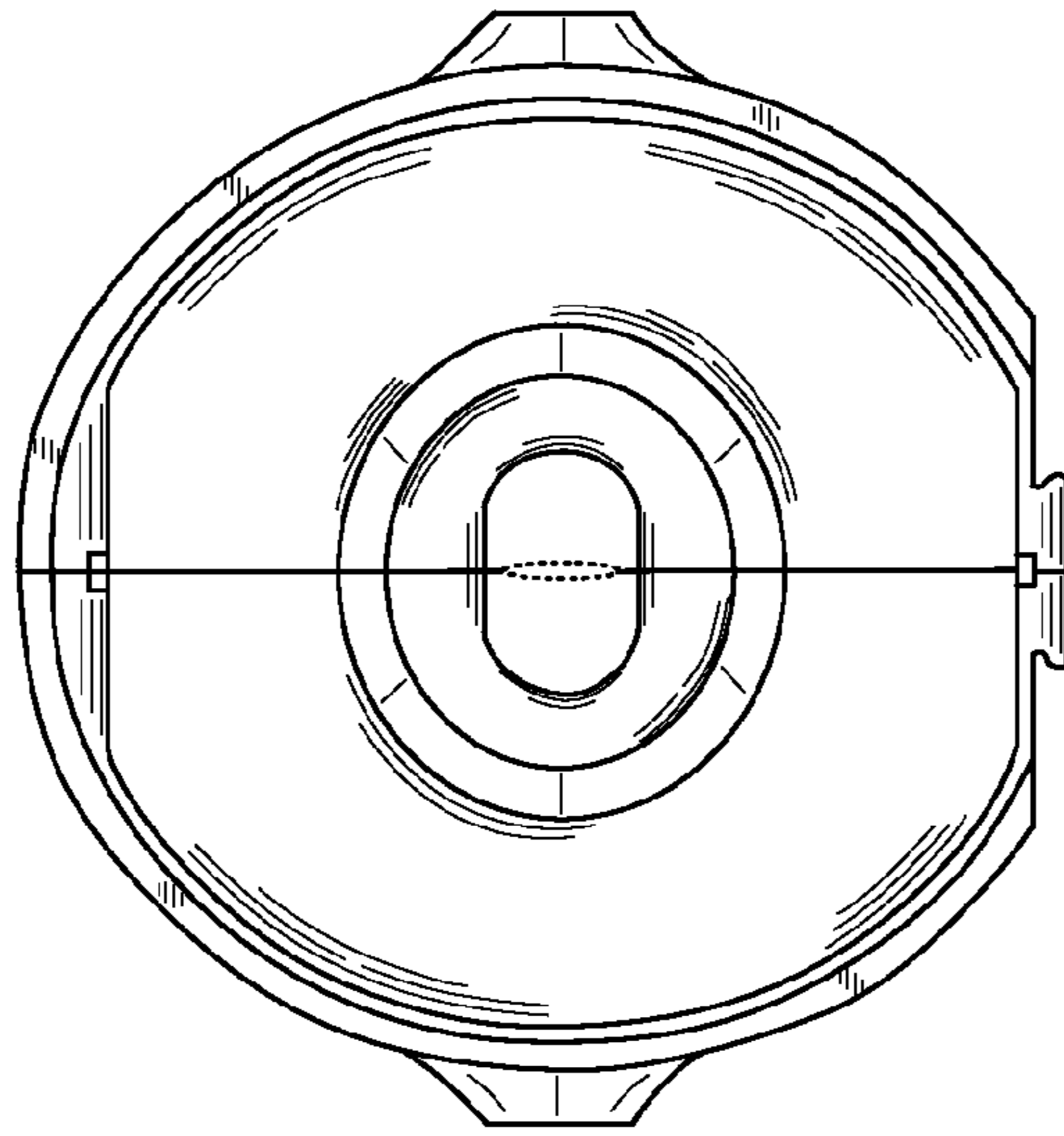


Figure 5

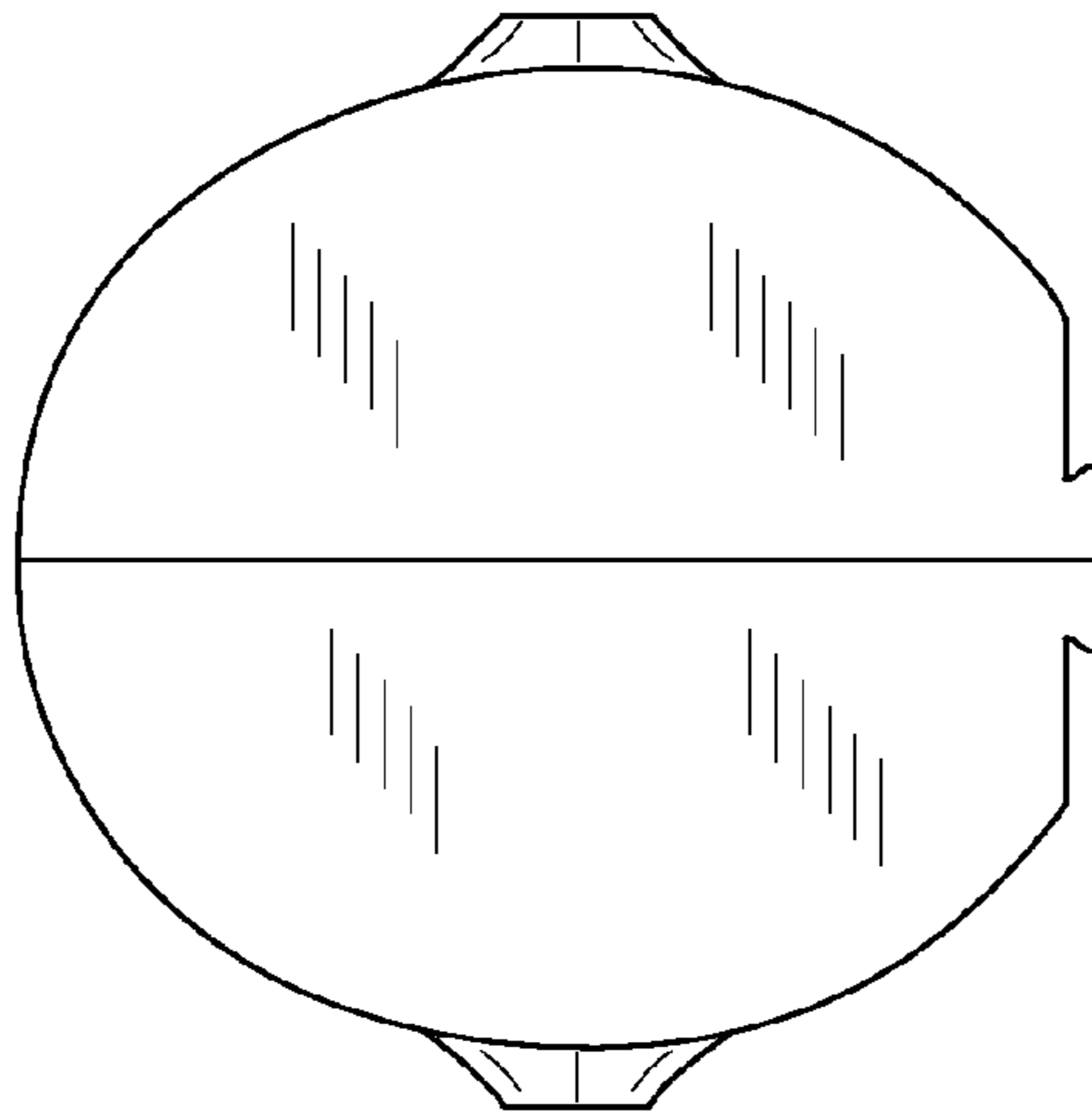


Figure 6



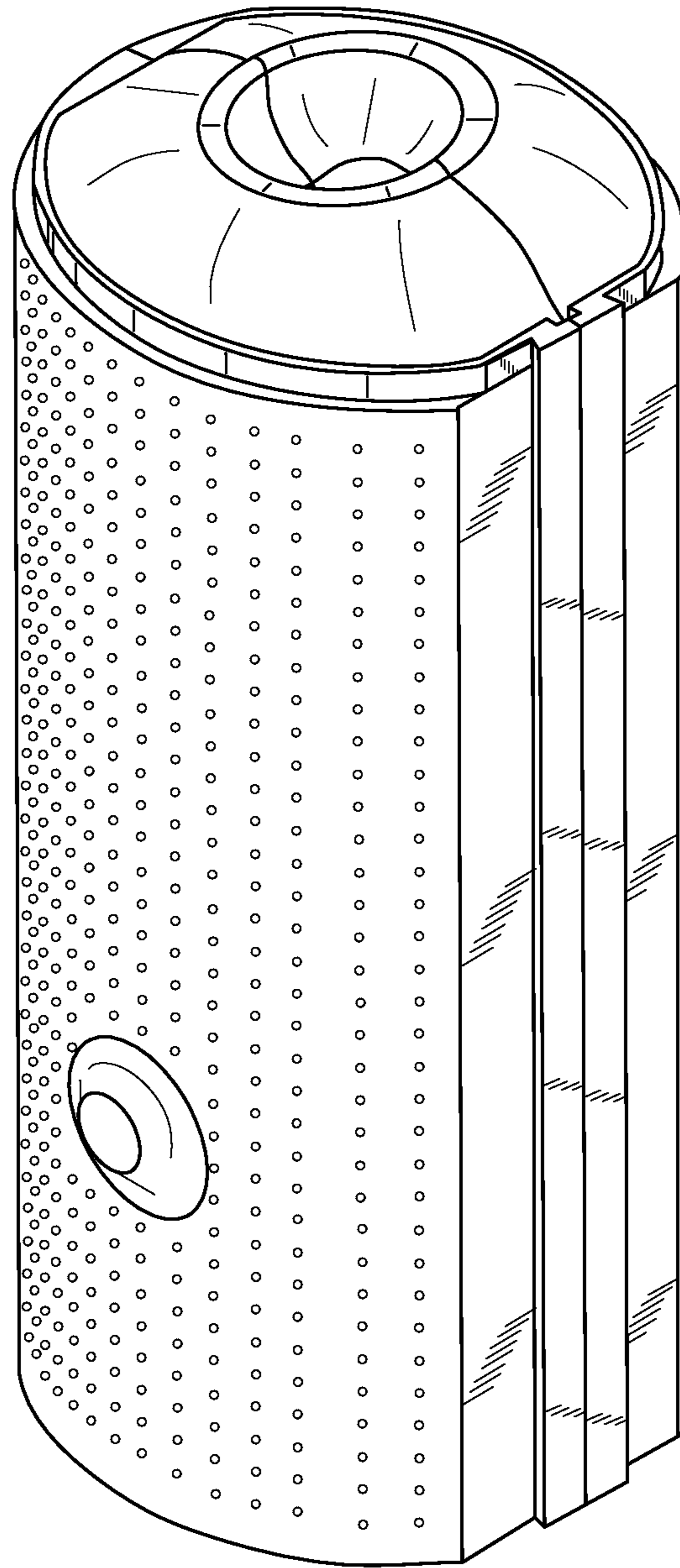


Figure 7



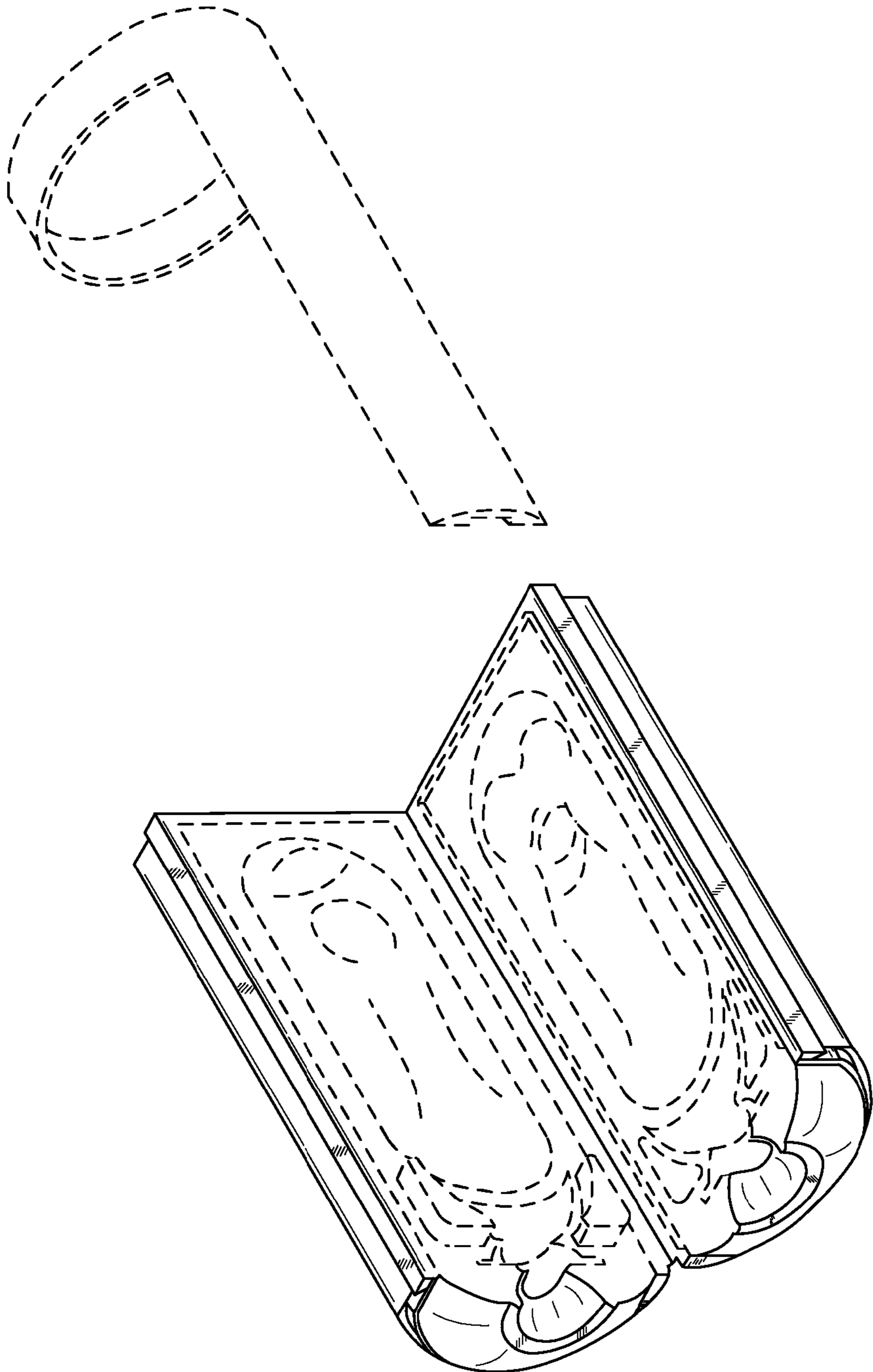


Figure 8

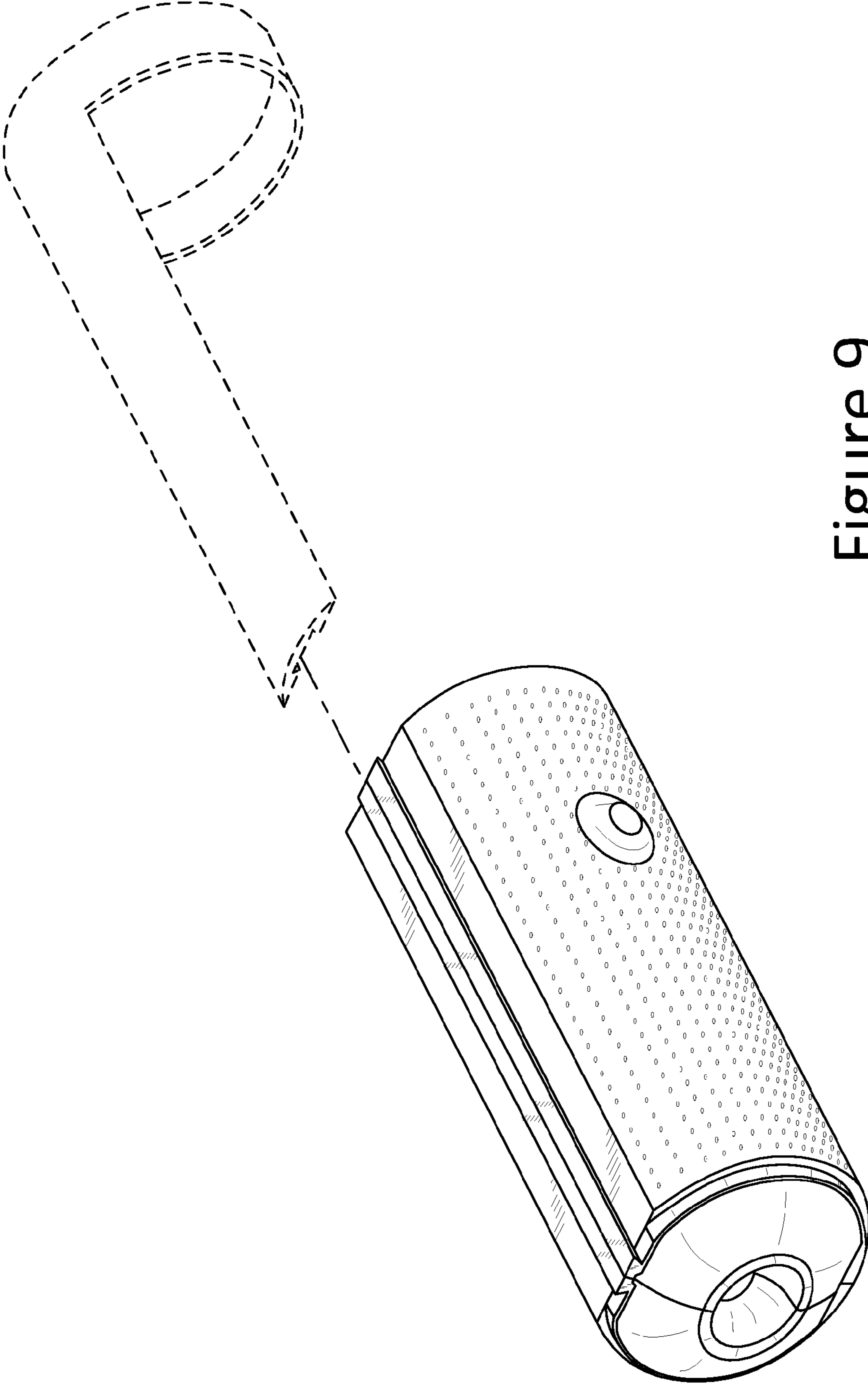


Figure 9

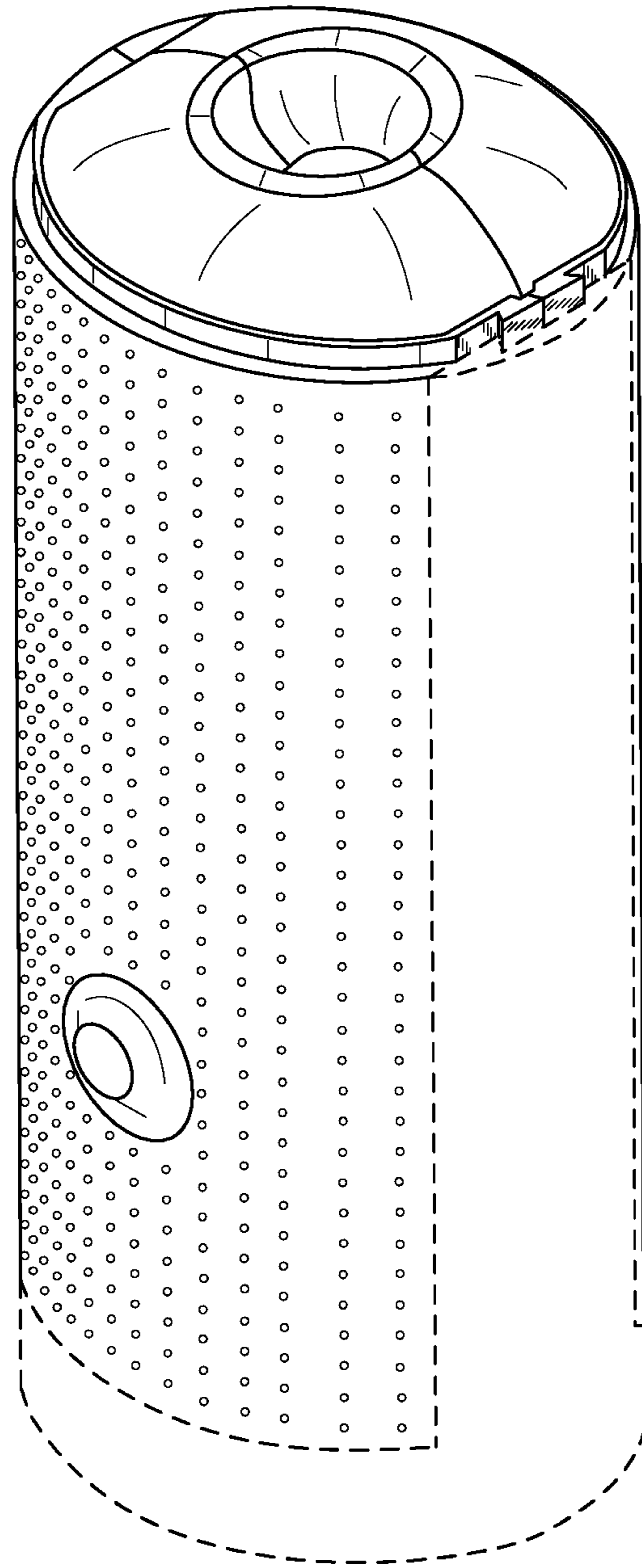


Figure 10