



US00D688787S

(12) **United States Design Patent**  
**Miller et al.**

(10) **Patent No.:** **US D688,787 S**

(45) **Date of Patent:** **\*\* Aug. 27, 2013**

(54) **AIRWAY DEVICE CAP AND STRAP HOLDER**

(75) Inventors: **Andrew Miller**, Crowthorne (GB);  
**Muhammed Aslam Nasir**, Caddington  
(GB)

(73) Assignees: **Intersurgical AG** (LI); **Muhammed  
Aslam Nasir** (GB)

(\*\*) Term: **14 Years**

(21) Appl. No.: **29/407,461**

(22) Filed: **Nov. 29, 2011**

(30) **Foreign Application Priority Data**

Jun. 8, 2011 (EM) ..... 001874991-0001  
Jun. 8, 2011 (EM) ..... 001874991-0002  
Jun. 8, 2011 (EM) ..... 001874991-0003

(51) **LOC (9) Cl.** ..... **29-02**

(52) **U.S. Cl.**  
USPC ..... **D24/110**

(58) **Field of Classification Search**  
USPC ..... D24/110, 110.5; 128/200.26, 207.14,  
128/207.15; 600/194, 196  
See application file for complete search history.

(56) **References Cited**

**U.S. PATENT DOCUMENTS**

2,099,127 A 11/1937 Leech ..... 128/207.15  
3,616,799 A 11/1971 Sparks ..... 128/351  
3,734,100 A 5/1973 Walker et al. .... 128/351  
3,968,800 A 7/1976 Vilasi ..... 128/343  
3,995,643 A 12/1976 Merav ..... 128/351  
4,509,514 A 4/1985 Brain ..... 128/207.15  
4,995,388 A 2/1991 Brain ..... 128/207.15  
5,054,483 A \* 10/1991 Marten et al. .... 128/207.14  
5,174,283 A 12/1992 Parker ..... 128/200.26  
5,241,956 A 9/1993 Brain ..... 128/207.15  
5,249,571 A 10/1993 Brain ..... 128/207.14

5,282,464 A 2/1994 Brain ..... 128/207.15  
5,285,778 A 2/1994 Mackin ..... 128/207.15  
5,297,547 A 3/1994 Brain ..... 128/207.15  
5,303,697 A 4/1994 Brain ..... 128/200.26  
5,305,743 A 4/1994 Brain ..... 128/207.15  
5,322,062 A 6/1994 Servas ..... 128/207.14  
5,355,879 A 10/1994 Brain ..... 128/207.15  
5,391,248 A 2/1995 Brain ..... 156/242  
5,477,851 A 12/1995 Callaghan et al. .... 128/207.15  
5,584,290 A 12/1996 Brain ..... 128/207.15

(Continued)

**FOREIGN PATENT DOCUMENTS**

CA 1 324 551 11/1993  
CA 2 191 749 12/1995

(Continued)

**OTHER PUBLICATIONS**

PCT International Search Report, dated Jan. 14, 2009 (20 pgs).

(Continued)

*Primary Examiner* — Ian Simmons  
*Assistant Examiner* — Richelle Shelton  
(74) *Attorney, Agent, or Firm* — Hayes Soloway P.C.

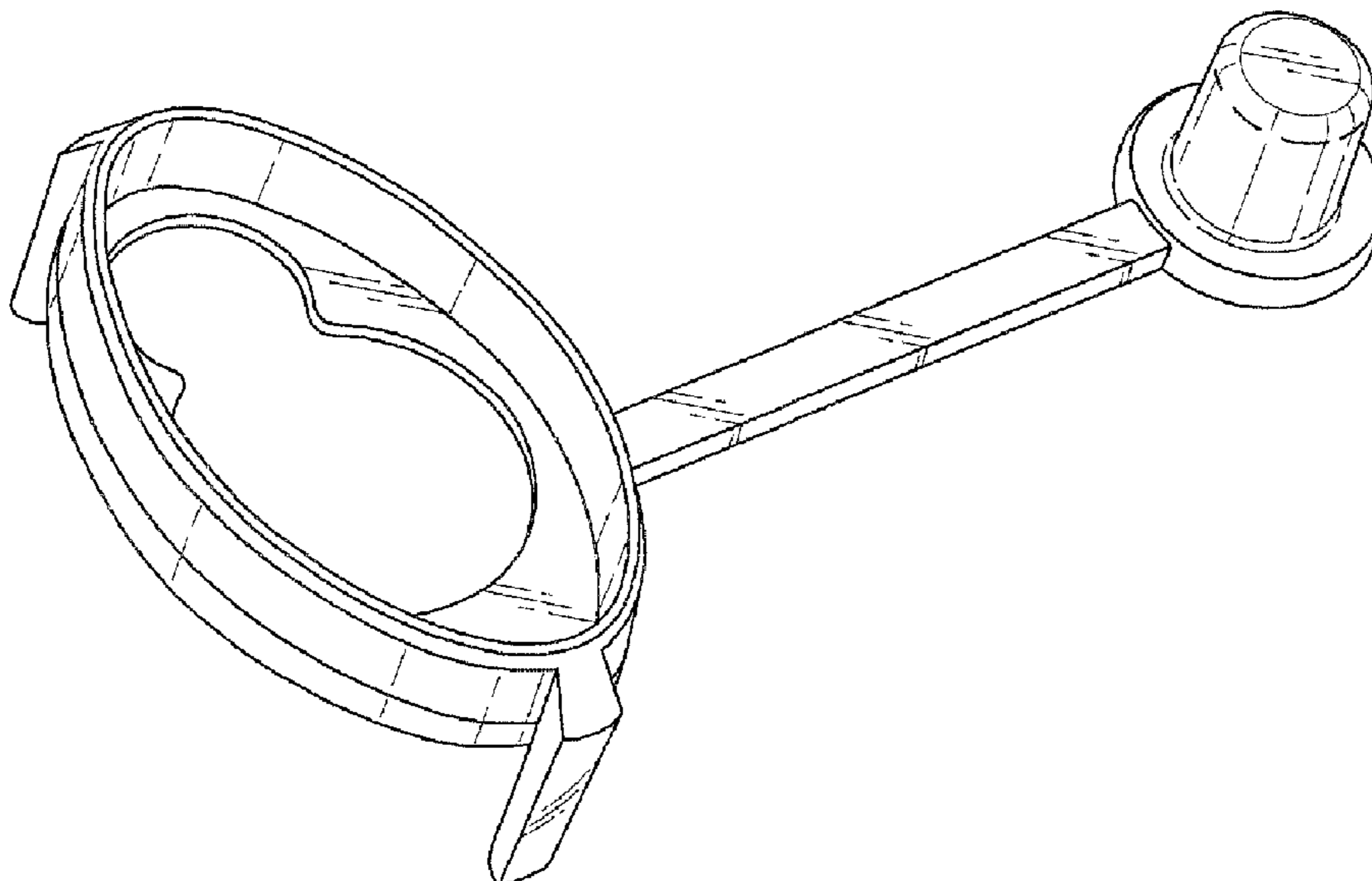
(57) **CLAIM**

The ornamental design for a airway device cap and strap holder, as shown and described.

**DESCRIPTION**

FIG. 1 is a front view of the airway device cap and strap holder, showing our new design;  
FIG. 2 is a rear elevational view thereof;  
FIG. 3 is a side elevational view thereof, the opposite side being a mirror image thereof;  
FIG. 4 is a top plan view thereof;  
FIG. 5 is a top perspective view thereof; and,  
FIG. 6 is a bottom perspective view thereof.

**1 Claim, 3 Drawing Sheets**



(56)

References Cited

U.S. PATENT DOCUMENTS

5,623,921 A 4/1997 Kinsinger et al. .... 128/200.26  
 5,632,271 A 5/1997 Brain ..... 128/207.15  
 5,655,519 A 8/1997 Alfery ..... 128/200.26  
 5,682,880 A 11/1997 Brain ..... 128/207.15  
 5,711,293 A 1/1998 Brain ..... 128/200.24  
 5,791,341 A 8/1998 Bullard ..... 128/207.15  
 5,865,176 A 2/1999 O'Neil ..... 128/207.15  
 5,878,745 A 3/1999 Brain ..... 128/207.15  
 5,881,726 A 3/1999 Neame ..... 128/207.15  
 5,896,858 A 4/1999 Brain ..... 128/207.15  
 5,915,383 A 6/1999 Pagan ..... 128/207.15  
 5,921,988 A 7/1999 Legrand ..... 606/87  
 5,937,859 A 8/1999 Augustine et al. .... 128/207.15  
 5,937,860 A 8/1999 Cook ..... 128/207.15  
 5,964,217 A 10/1999 Christopher ..... 128/200.26  
 5,976,072 A 11/1999 Greenberg ..... 600/120  
 5,979,445 A 11/1999 Neame et al. .... 128/207.15  
 5,988,167 A 11/1999 Kamen ..... 128/207.15  
 6,003,514 A 12/1999 Pagan ..... 128/207.15  
 6,055,984 A 5/2000 Brain ..... 128/207.14  
 6,070,581 A 6/2000 Augustine et al. .... 128/207.15  
 6,079,409 A 6/2000 Brain ..... 128/200.26  
 D429,811 S 8/2000 Bermudez ..... D24/110.5  
 6,095,144 A 8/2000 Pagan ..... 128/207.15  
 6,152,136 A 11/2000 Pagan ..... 128/207.15  
 6,216,696 B1 4/2001 van den Berg ..... 128/207.14  
 6,280,675 B1 8/2001 Legrand ..... 264/262  
 6,311,688 B1 \* 11/2001 Augustine et al. .... 128/200.26  
 6,318,367 B1 11/2001 Mongeon ..... 128/207.15  
 6,439,232 B1 8/2002 Brain ..... 128/207.15  
 6,474,332 B2 11/2002 Arndt ..... 128/200.26  
 6,536,437 B1 3/2003 Dragisic ..... 128/207.18  
 6,604,525 B2 8/2003 Pagan ..... 128/207.15  
 6,631,720 B1 10/2003 Brain ..... 128/207.14  
 6,679,263 B2 1/2004 Luchetti et al. .... 128/207.15  
 6,698,430 B2 3/2004 Van Landuyt ..... 128/207.15  
 6,705,318 B1 3/2004 Brain ..... 128/207.14  
 6,792,948 B2 9/2004 Brain ..... 128/207.14  
 6,799,574 B1 10/2004 Collins ..... 128/207.15  
 6,877,512 B2 4/2005 Imai et al. .... 128/207.15  
 6,918,388 B2 7/2005 Brain ..... 128/200.26  
 6,918,391 B1 7/2005 Moore ..... 128/842  
 6,971,382 B1 \* 12/2005 Corso ..... 128/200.26  
 7,004,169 B2 2/2006 Brain ..... 128/207.14  
 D518,572 S \* 4/2006 Nasir ..... D24/110.5  
 D518,890 S \* 4/2006 Nasir ..... D24/110.5  
 7,040,312 B2 5/2006 Alfery et al. .... 128/200.26  
 7,047,973 B2 5/2006 Chang ..... 128/207.15  
 7,096,868 B2 8/2006 Tateo et al. .... 128/207.15  
 7,134,431 B2 11/2006 Brain ..... 128/200.26  
 7,140,368 B1 11/2006 Collins ..... 128/207.14  
 7,263,998 B2 9/2007 Miller ..... 128/207.15  
 RE39,938 E 12/2007 Brain ..... 128/207.15  
 7,305,985 B2 12/2007 Brain ..... 128/200.26  
 7,506,648 B2 3/2009 Brain ..... 128/207.15  
 D611,138 S \* 3/2010 Nasir ..... D24/110.5  
 D615,188 S \* 5/2010 Nasir ..... D24/110.5  
 D618,788 S 6/2010 Dubach ..... D24/110.5  
 7,762,261 B1 7/2010 Fortuna ..... 128/207.14  
 7,806,119 B2 10/2010 Nasir ..... 128/205.25  
 7,896,007 B2 3/2011 Brain ..... 128/207.15  
 8,001,964 B2 \* 8/2011 McDonald et al. .... 128/200.26  
 2001/0015207 A1 8/2001 Pagan ..... 128/207.15  
 2002/0010417 A1 1/2002 Bertram ..... 604/96.01  
 2002/0010617 A1 1/2002 Hamaguchi et al. .... 705/10  
 2002/0078961 A1 6/2002 Collins ..... 128/207.15  
 2002/0112728 A1 8/2002 Landuyt ..... 128/207.15  
 2002/0170556 A1 11/2002 Gaitini ..... 128/200.14  
 2003/0037790 A1 2/2003 Brain ..... 128/207.14  
 2003/0066532 A1 4/2003 Gobel ..... 128/207.15  
 2003/0101998 A1 6/2003 Zocca et al. .... 128/207.15  
 2003/0136413 A1 7/2003 Brain et al. .... 128/207.15  
 2003/0172925 A1 9/2003 Zocca et al. .... 128/202.22  
 2003/0172933 A1 9/2003 Nimmo ..... 128/207.14  
 2004/0020488 A1 2/2004 Kniewasser ..... 128/204.18

2004/0020491 A1 2/2004 Fortuna ..... 128/207.15  
 2005/0051173 A1 3/2005 Brain ..... 128/207.14  
 2005/0051175 A1 3/2005 Brain ..... 128/207.14  
 2005/0066975 A1 3/2005 Brain ..... 128/207.15  
 2005/0103345 A1 5/2005 Brain ..... 128/207.15  
 2006/0081245 A1 4/2006 Gould ..... 128/200.26  
 2006/0207601 A1 9/2006 Nasir ..... 128/207.14  
 2008/0142017 A1 6/2008 Brain ..... 128/207.15  
 2008/0308109 A1 \* 12/2008 Brain ..... 128/207.14  
 2010/0126512 A1 5/2010 Nasir ..... 128/207.14

FOREIGN PATENT DOCUMENTS

CA 2 346 248 4/2000  
 CN 1 166 138 11/1997  
 CN 1 236 323 11/1999  
 CN 1 236 326 11/1999  
 CN 1 351 509 5/2002  
 DE 42 33 933 4/1993  
 DE 43 30 032 4/1994  
 DE 195 00 550 7/1996  
 DE 299 02 267 7/1999  
 DE 201 00 176 5/2001  
 DE 202 06 692 8/2002  
 EM 000067210-0001 8/2003  
 EM 000067210-0002 8/2003  
 EM 000197124-0001 6/2004  
 EM 000197124-0002 6/2004  
 EM 000197124-0003 6/2004  
 EM 000197124-0004 6/2004  
 EM 000197124-0005 6/2004  
 EM 000197124-0006 6/2004  
 EM 000180757-0001 7/2004  
 EM 000482195-0001 2/2006  
 EM 000482195-0002 2/2006  
 EP 0 277 797 8/1988  
 EP 0 389 272 9/1990  
 EP 0 448 878 10/1991  
 EP 0 586 717 3/1994  
 EP 0 794 807 9/1997  
 EP 0 834 331 8/1998  
 EP 0 857 492 8/1998  
 EP 0 875 260 11/1998  
 EP 0 884 061 12/1998  
 EP 0 911 049 4/1999  
 EP 0 935 971 8/1999  
 EP 1 125 595 8/2001  
 EP 1 579 885 9/2005  
 EP 1 875 937 1/2008  
 ES 1 046 206 1/2000  
 FR 2 094 264 1/1972  
 FR 2 690 018 10/1993  
 FR 2 760 186 9/1998  
 FR 2 807 307 10/2001  
 FR 2 827 482 1/2003  
 FR 2 851 107 8/2004  
 GB 1 402 255 8/1975  
 GB 2 113 348 8/1983  
 GB 2 128 561 5/1984  
 GB 2 168 256 6/1986  
 GB 2 249 959 5/1992  
 GB 2 267 034 11/1993  
 GB 2 285 765 7/1995  
 GB 2 317 342 3/1998  
 GB 2 319 182 5/1998  
 GB 2 326 009 12/1998  
 GB 2 330 312 4/1999  
 GB 2 337 020 11/1999  
 GB 2 359 996 9/2001  
 GB 2 364 644 2/2002  
 GB 2 373 188 9/2002  
 GB 2 393 399 3/2004  
 GB 2 404 863 2/2005  
 GB 2 413 963 11/2005  
 IE 922073 12/1993  
 IT 1224077 9/1990  
 TW 224047 11/2004  
 WO WO 94/17848 8/1994  
 WO WO 95/09665 4/1995  
 WO WO 97/12640 4/1997

WO	WO 98/06276	2/1998
WO	WO 98/24498	6/1998
WO	WO 98/50096	11/1998
WO	WO 99/24101	5/1999
WO	WO 00/30706	6/1999
WO	WO 99/44665	9/1999
WO	WO 00/09189	2/2000
WO	WO 00/61213	10/2000
WO	WO 01/13980	3/2001
WO	WO 0197890	12/2001
WO	WO 02/32490	4/2002
WO	WO 03/020340	3/2003
WO	WO 2004/016308	2/2004
WO	WO 2005/016427	2/2005

U.S. Appl. No. 29/353,658, filed Jan. 12, 2010.  
 U.S. Appl. No. 12/627,844, filed Nov. 30, 2009.  
 U.S. Appl. No. 29/416,561, filed Mar. 23, 2012.  
 U.S. Appl. No. 12/680,731, filed Mar. 29, 2010.  
 U.S. Appl. No. 13/130,555, filed May 20, 2011.  
 U.S. Appl. No. 12/859,169, filed Aug. 18, 2010.  
 U.S. Appl. No. 13/403,806, filed Feb. 23, 2012.  
 U.S. Appl. No. 29/402,009, filed Sep. 19, 2011.  
 U.S. Appl. No. 29/428,284, filed Jul. 27, 2012.  
 U.S. Appl. No. 10/568,362, filed Feb. 14, 2006.  
 U.S. Appl. No. 10/983,199, filed Nov. 5, 2004.  
 U.S. Appl. No. 13/805,956, filed Dec. 20, 2012.  
 U.S. Appl. No. 12/627,844, filed Nov. 30, 2009, Nasir.  
 U.S. Appl. No. 29/416,561, filed Mar. 23, 2012, Miller et al.  
 U.S. Appl. No. 13/130,555, filed May 20, 2011, Nasir.  
 U.S. Appl. No. 12/859,169, Aug. 18, 2010, Nasir.  
 U.S. Appl. No. 13/403,806, filed Feb. 23, 2012, Nasir.  
 U.S. Appl. No. 29/428,284, filed Jul. 27, 2012, Nasir et al.  
 U.S. Appl. No. 13/805,956, filed Dec. 20, 2012, Nasir et al.

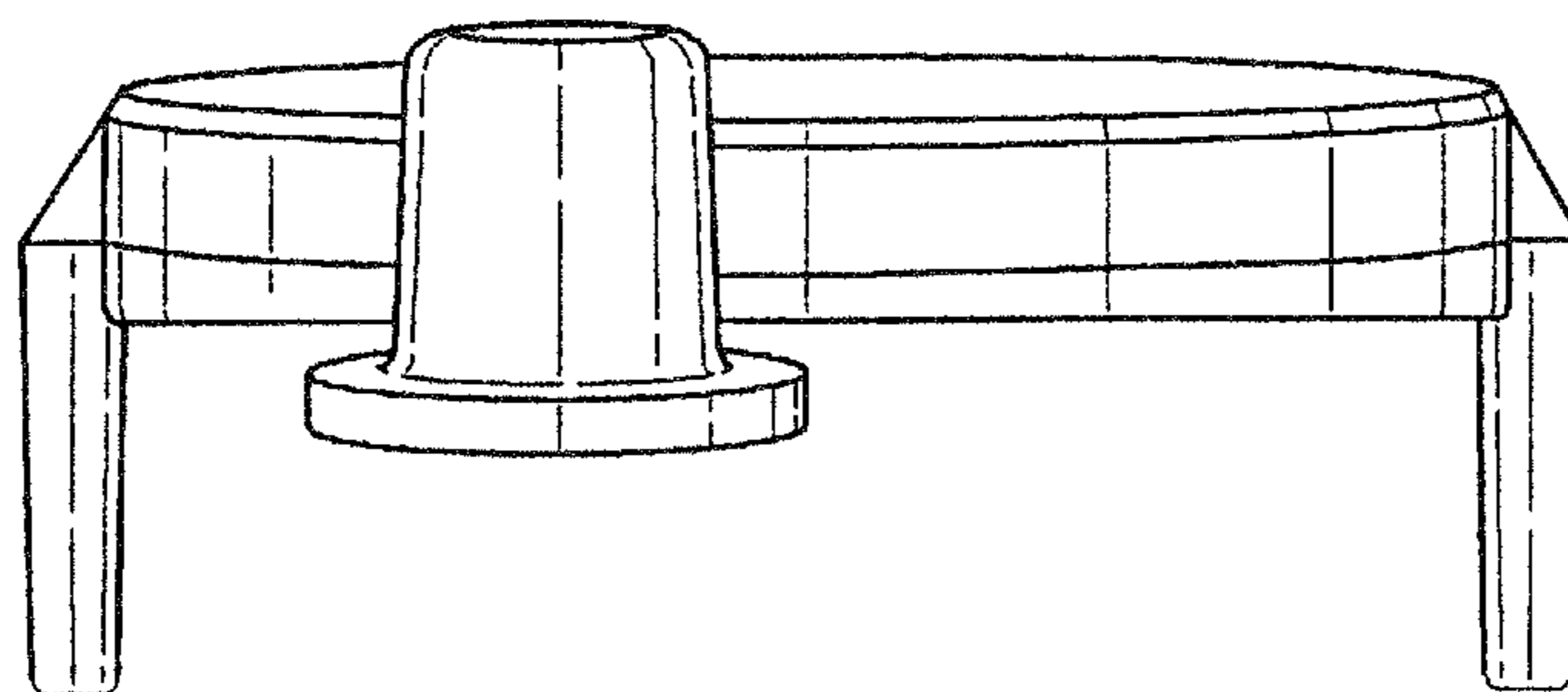
OTHER PUBLICATIONS

Office Action issued in U.S. Appl. No. 29/353,658 dated Aug. 19, 2011 (10 pgs).

“The Development of the Laryngeal Mask—a Brief History of the Invention, Early Clinical Studies and Experimental Work from Which the Laryngeal Mask Evolved” A.I.J. Brain, European Journal of Anesthesiology, 1991, Supplement 4, pp. 5-17.

\* cited by examiner

**FIG. 1**



**FIG. 2**

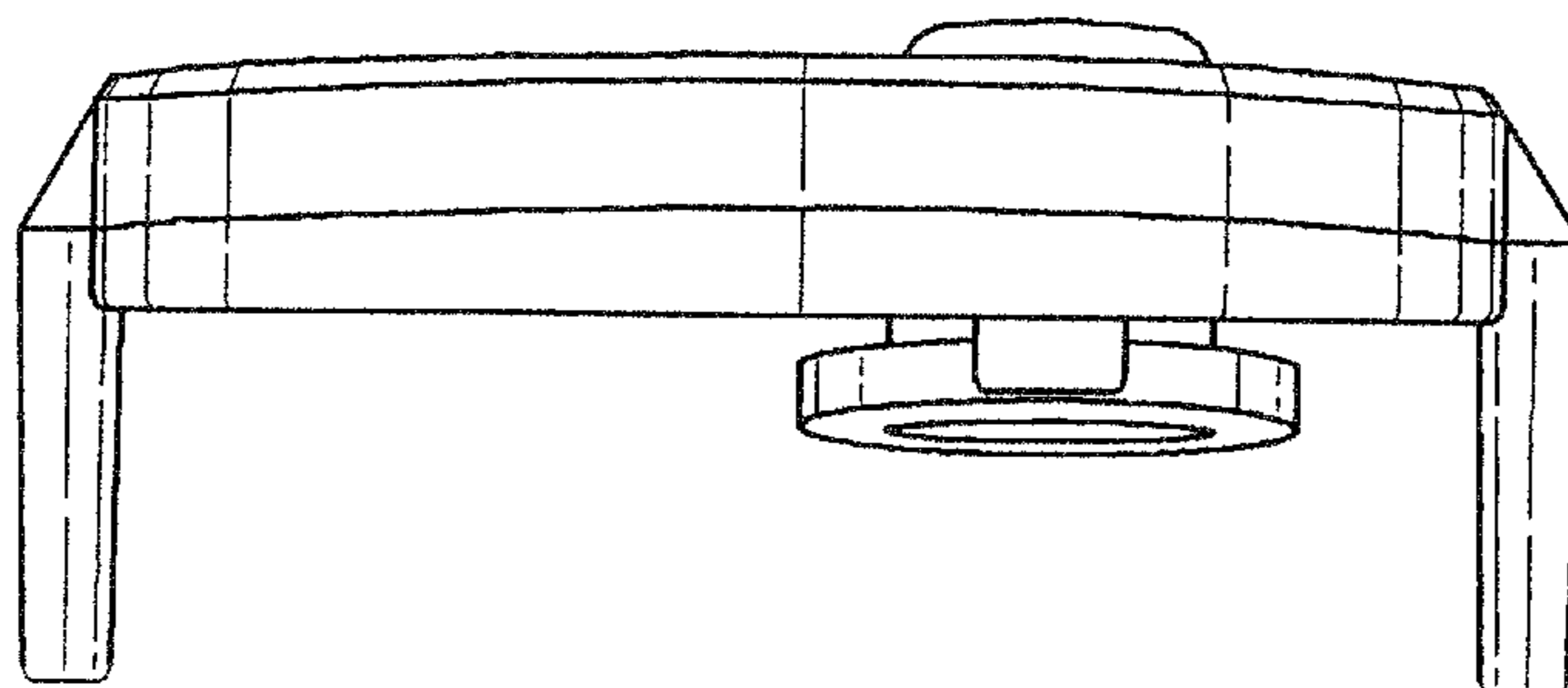


FIG. 3

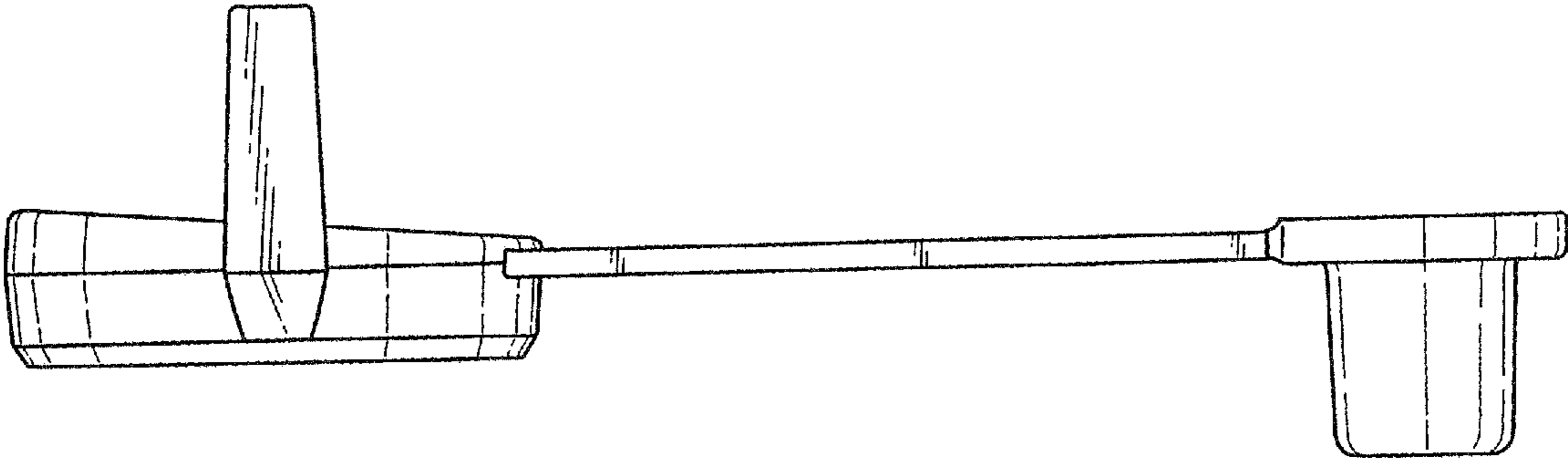
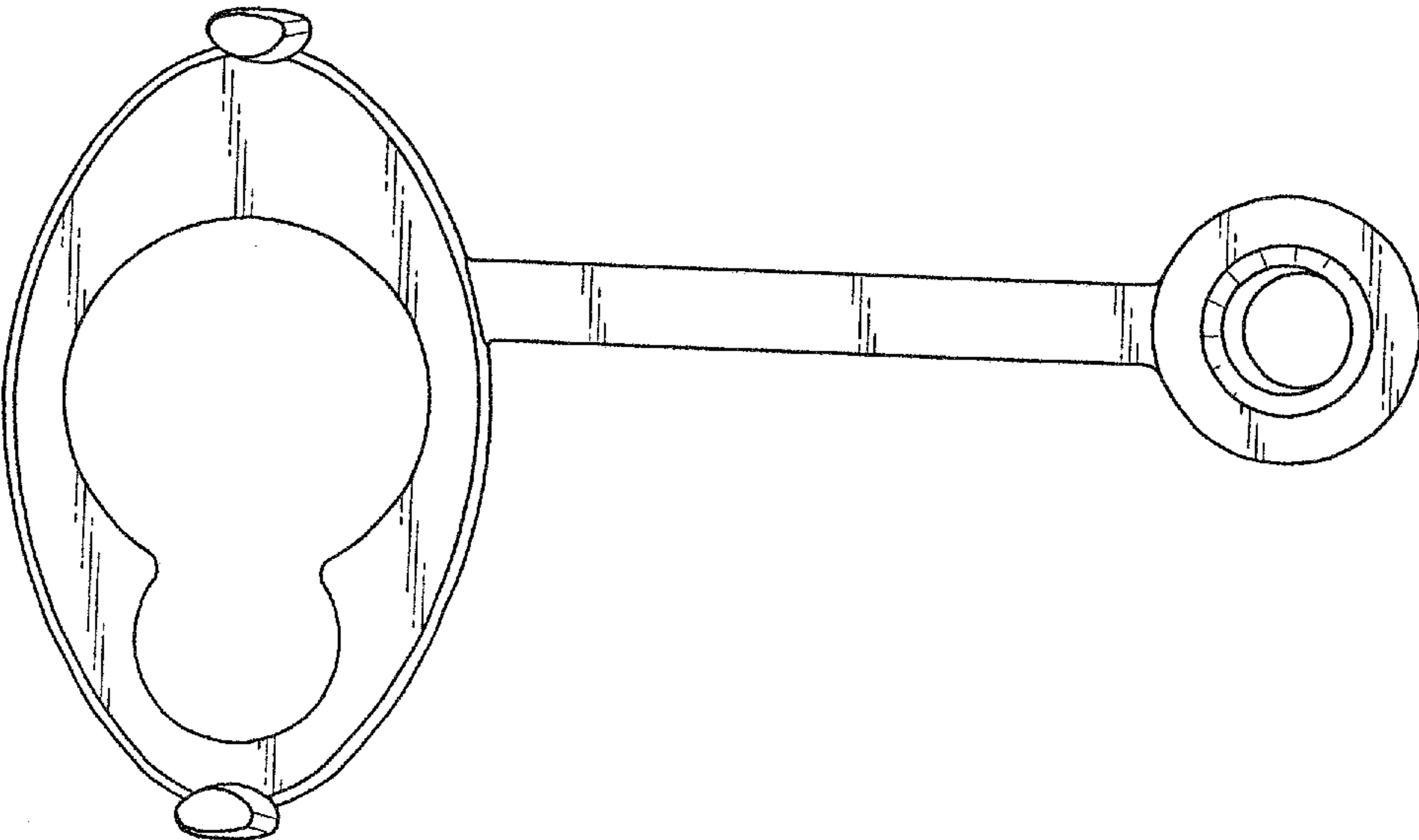
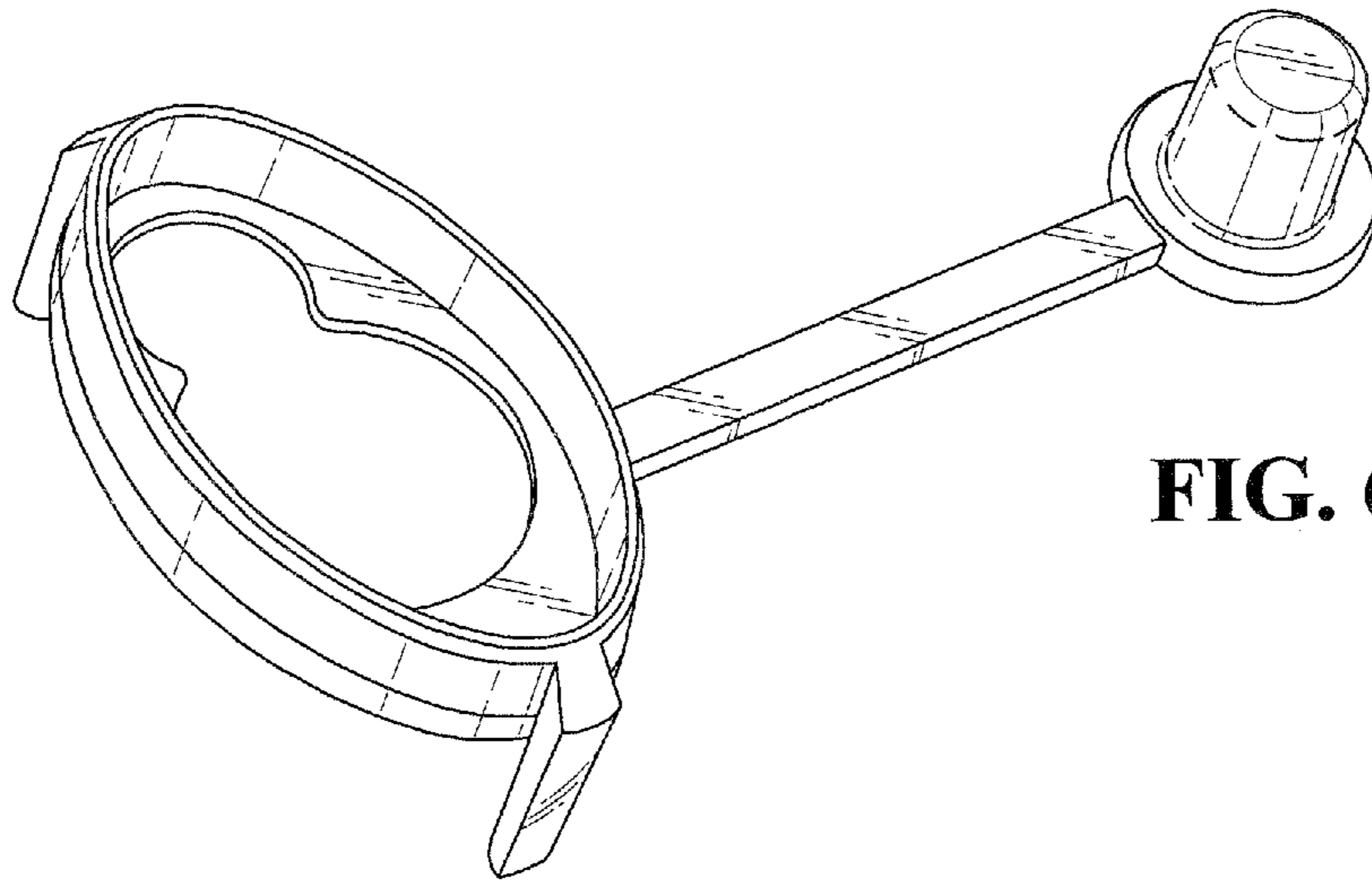
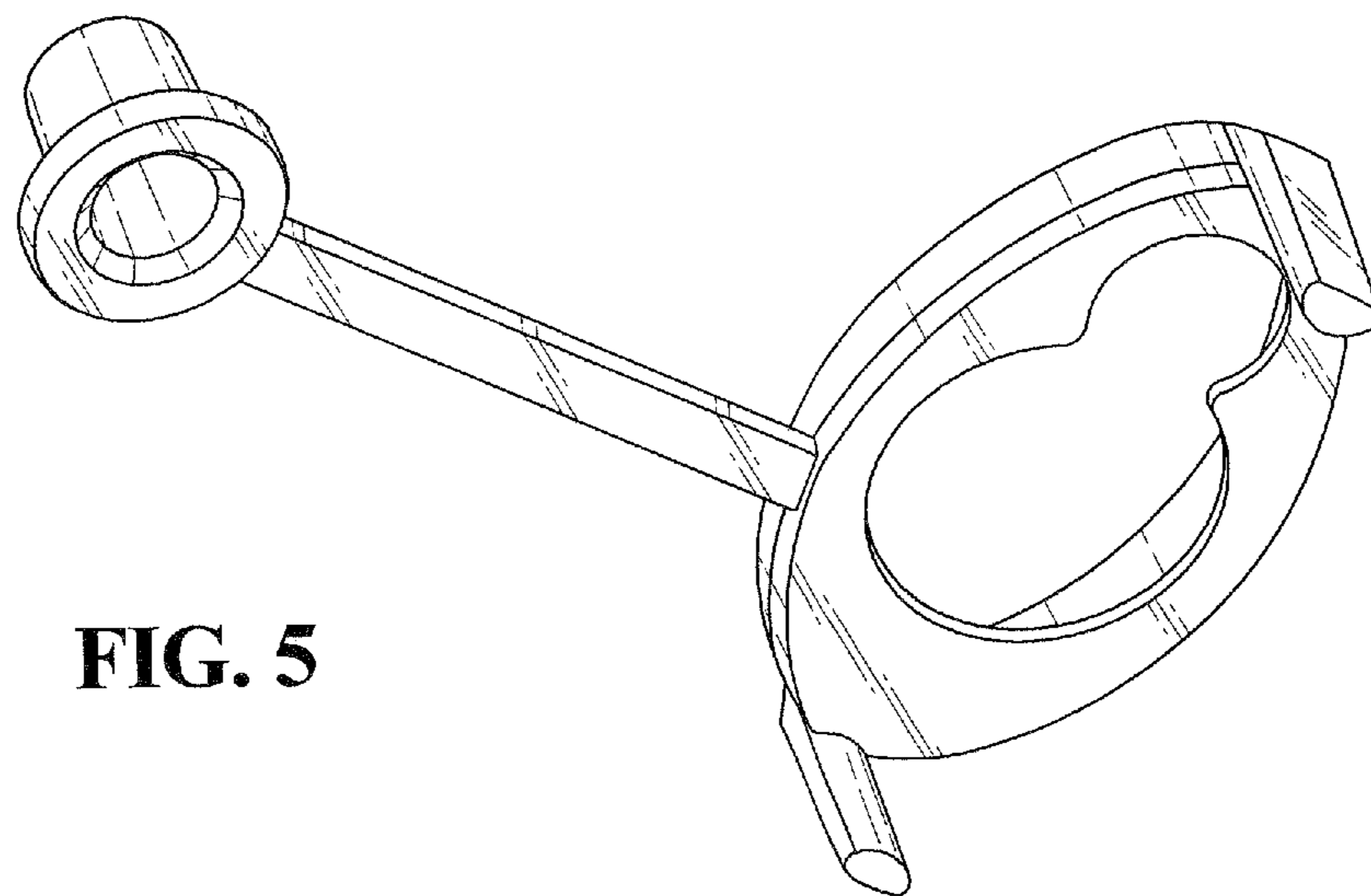


FIG. 4





**FIG. 6**



**FIG. 5**

UNITED STATES PATENT AND TRADEMARK OFFICE  
**CERTIFICATE OF CORRECTION**

PATENT NO. : D688,787 S  
APPLICATION NO. : 29/407461  
DATED : August 27, 2013  
INVENTOR(S) : Miller et al.

Page 1 of 1

It is certified that error appears in the above-identified patent and that said Letters Patent is hereby corrected as shown below:

On the title page item [56], page 2, Col. 2, line 5, insert:  
--2005/0081861 4/2005 Nasir.....128/207.14--.

Signed and Sealed this  
Twenty-first Day of April, 2015



Michelle K. Lee  
*Director of the United States Patent and Trademark Office*