



US00D688775S

(12) **United States Design Patent**
Bossini et al.

(10) **Patent No.:** **US D688,775 S**

(45) **Date of Patent:** **** Aug. 27, 2013**

(54) **SHOWER**

(75) Inventors: **Nadia Bossini**, Lumezzane S.S. (IT);
Takeuchi Hiroyuki, Kitakyushu (JP)

(73) Assignees: **Bossini S.p.A.**, Brescia (IT); **Toto Ltd.**,
Kitakyushu (JP)

(**) Term: **14 Years**

(21) Appl. No.: **29/424,172**

(22) Filed: **Jun. 8, 2012**

(30) **Foreign Application Priority Data**

Dec. 12, 2011 (IT) BS2011O0040

(51) **LOC (9) Cl.** **23-01**

(52) **U.S. Cl.**
USPC **D23/223**

(58) **Field of Classification Search**
USPC D23/213, 223, 226, 229, 230; 239/460-462,
239/525-526, 394
See application file for complete search history.

(56) **References Cited**

U.S. PATENT DOCUMENTS

D591,828 S * 5/2009 Lobermeier D23/223
D610,651 S * 2/2010 Wu et al. D23/223
D629,868 S * 12/2010 Barnard D23/223

D654,984 S * 2/2012 Schoenherr et al. D23/223
D655,381 S * 3/2012 Flowers et al. D23/223
D655,384 S * 3/2012 Schoenherr et al. D23/223
D659,794 S * 5/2012 Flowers et al. D23/223
D667,928 S * 9/2012 Cutler et al. D23/223
D672,011 S * 12/2012 Andrew et al. D23/223

* cited by examiner

Primary Examiner — Robin V Webster

(74) *Attorney, Agent, or Firm* — Kilyk & Bowersox,
P.L.L.C.

(57) **CLAIM**

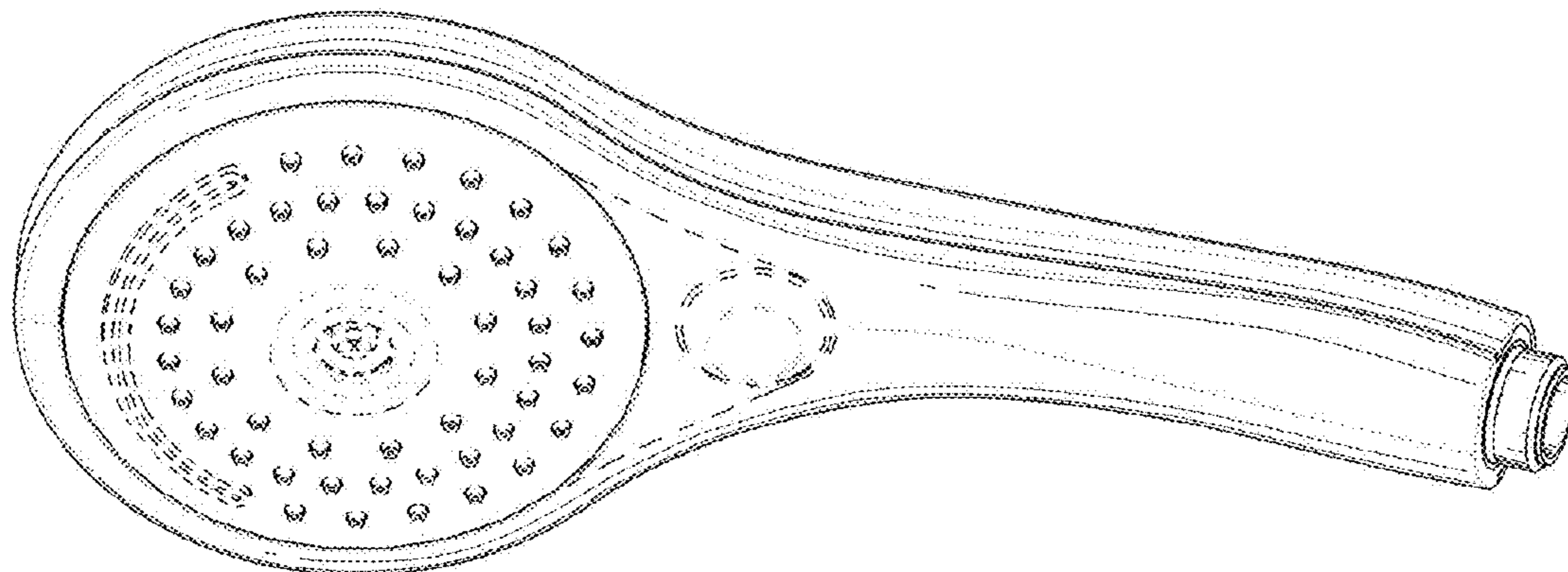
The ornamental design for a shower, as shown and described.

DESCRIPTION

FIG. 1 is a bottom front perspective view of a shower, showing our new design;
FIG. 2 is the top front perspective view thereof;
FIG. 3 is the left side view thereof with the right side view being a mirror image thereof;
FIG. 4 is the front view thereof;
FIG. 5 is the rear view thereof;
FIG. 6 is the top view thereof; and,
FIG. 7 is the bottom view thereof.

The broken line showing is included for the purpose of illustrating and forms no part of the claimed design.

1 Claim, 7 Drawing Sheets



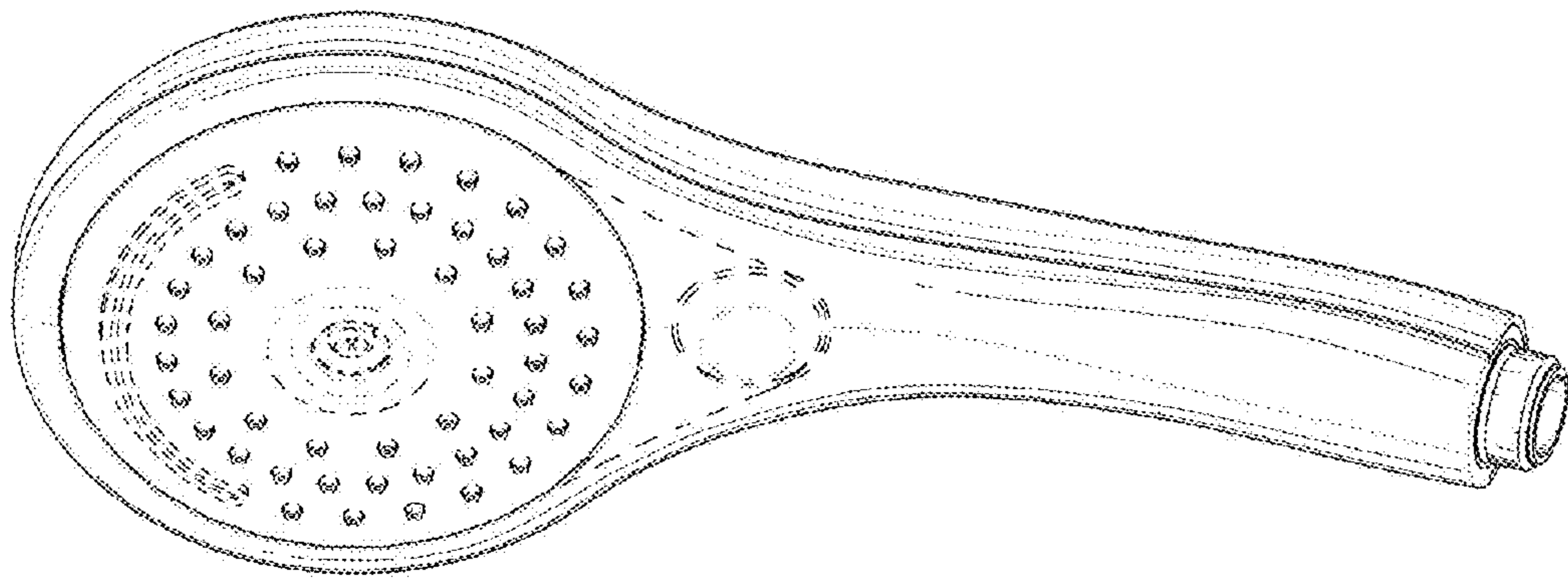


Fig. 1

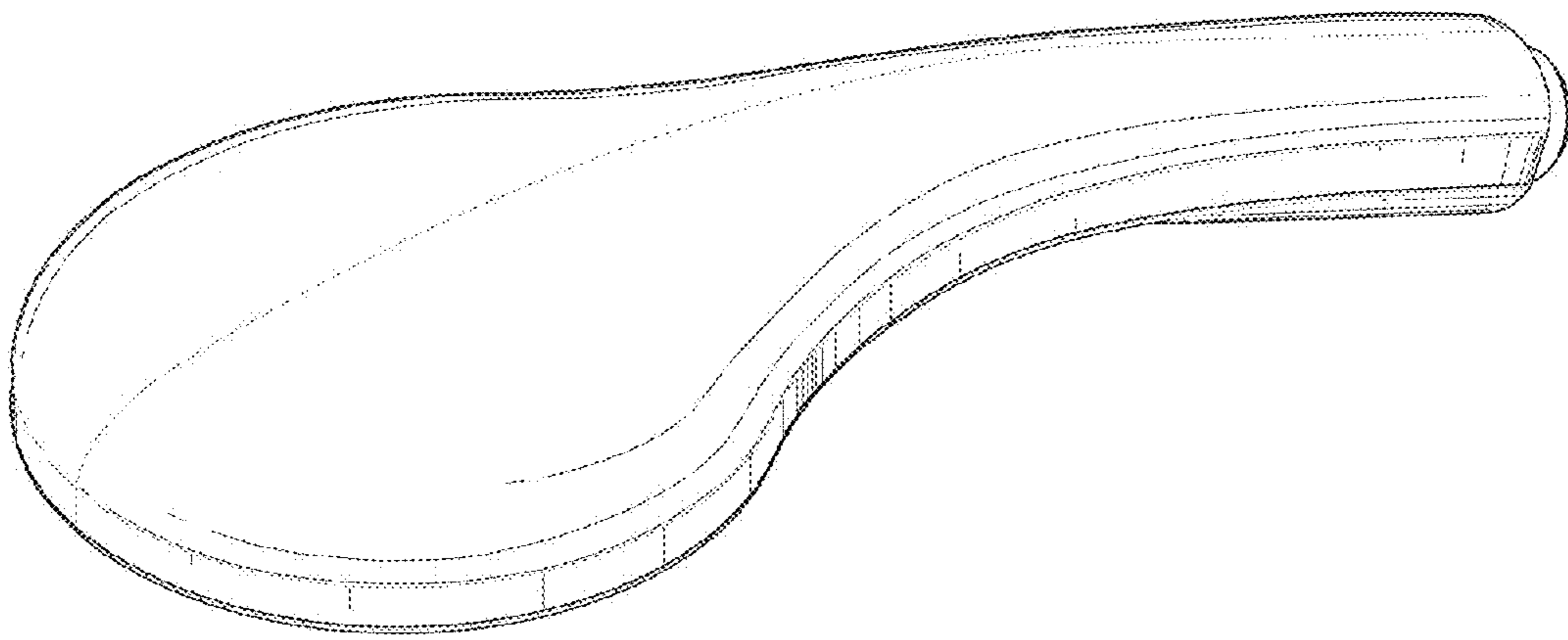


Fig. 2

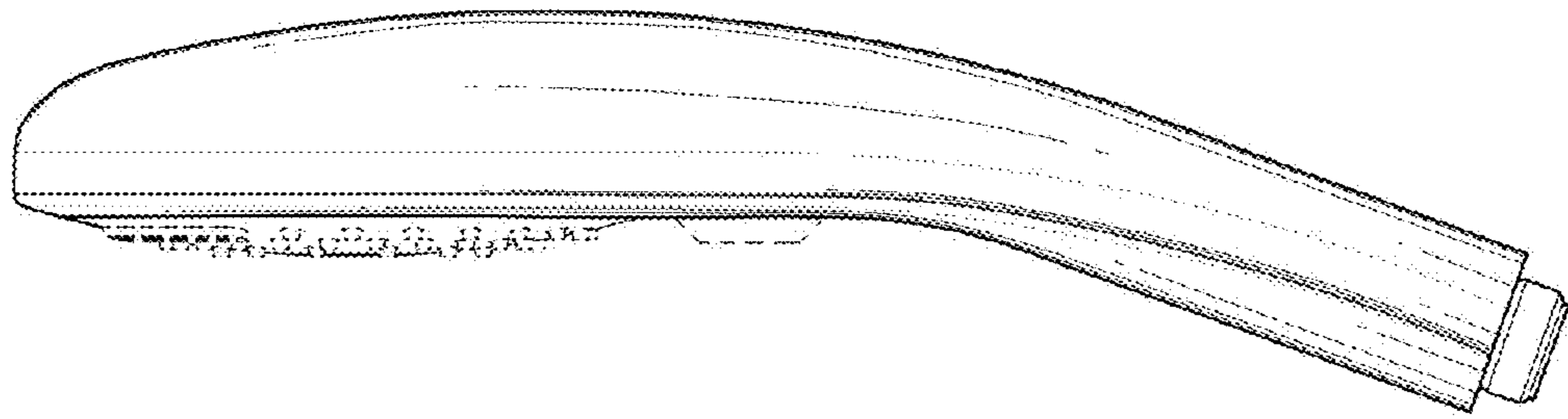


Fig. 3

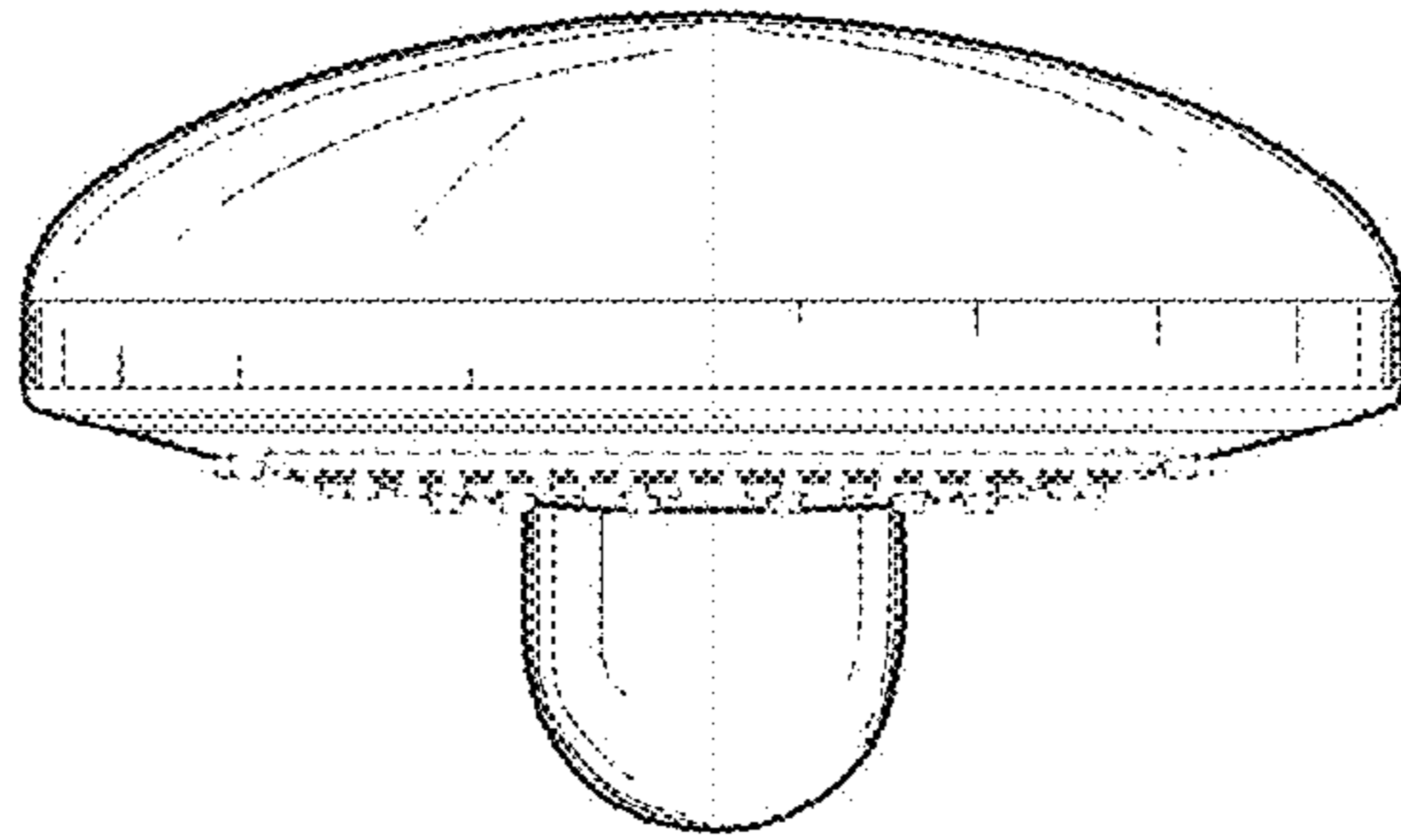


Fig. 4

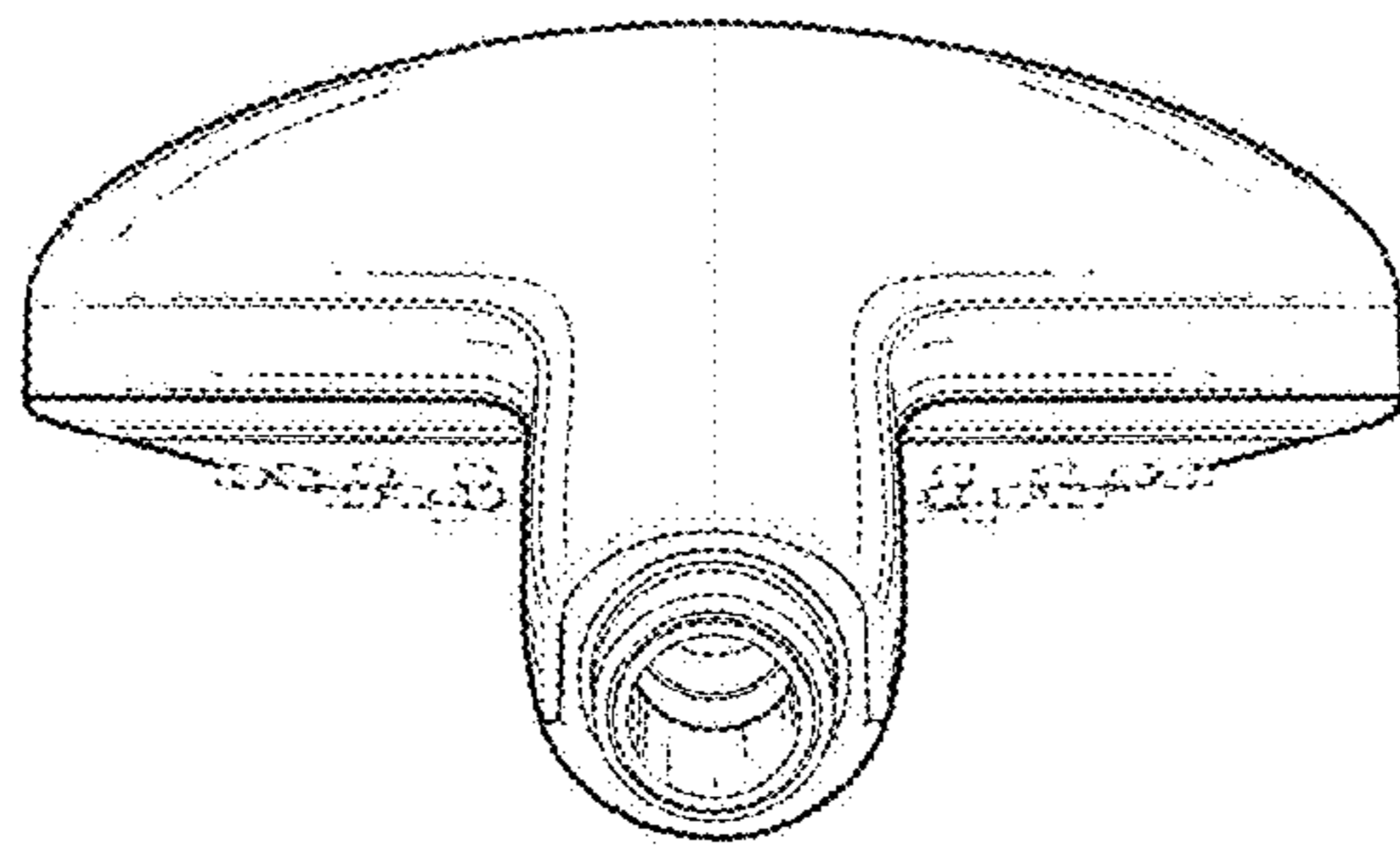


Fig. 5

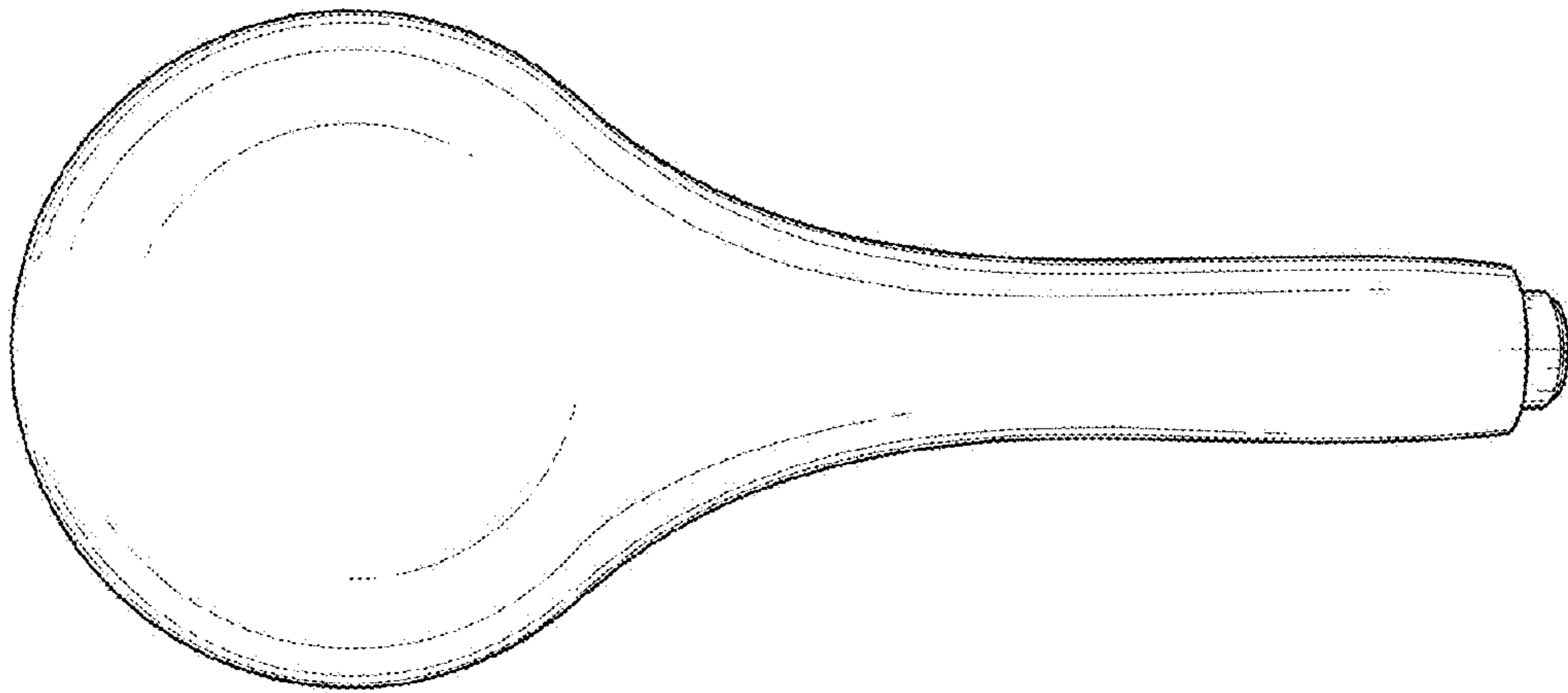


Fig. 6

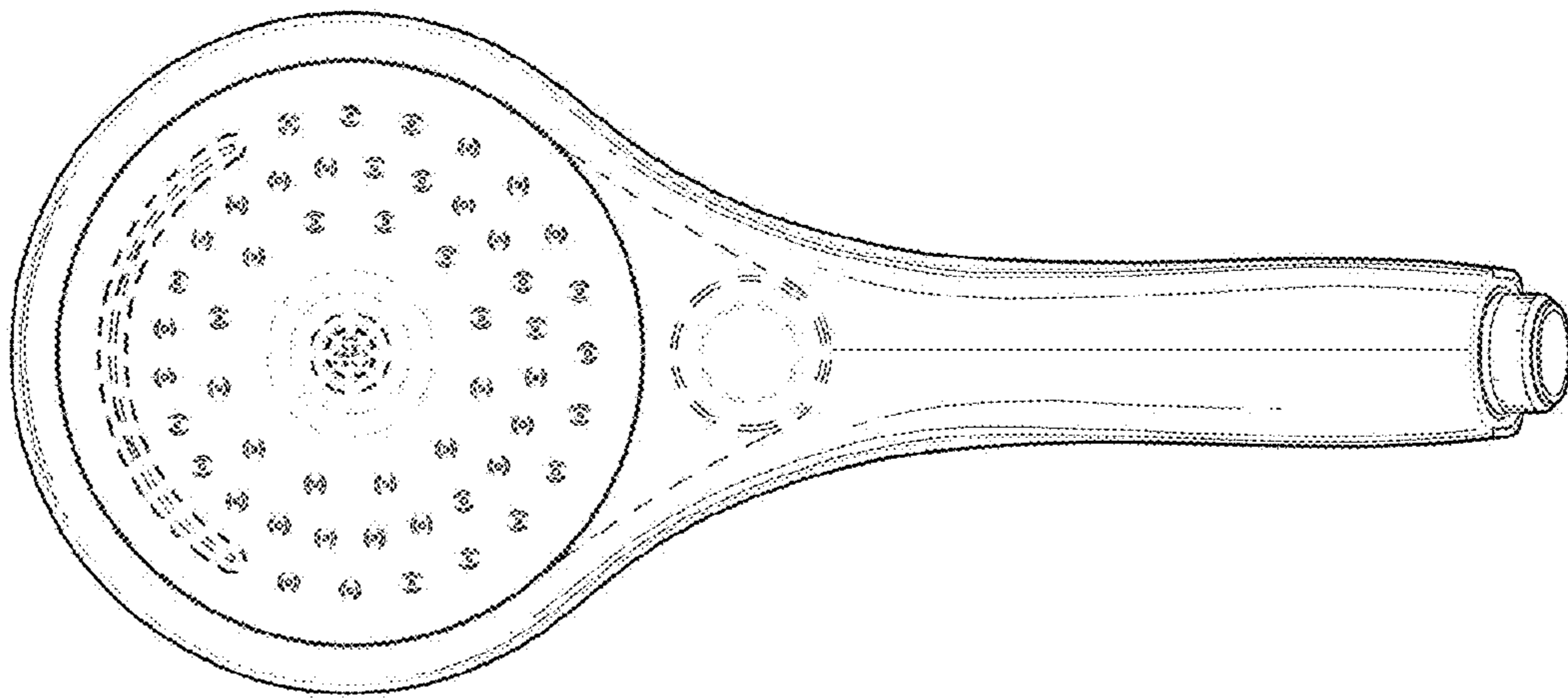


Fig. 7