



US00D688774S

(12) **United States Design Patent**
Tempel

(10) **Patent No.:** **US D688,774 S**

(45) **Date of Patent:** **** Aug. 27, 2013**

(54) **PUSH BUTTON AERATOR**

(56) **References Cited**

(71) Applicant: **Neoperl GmbH**, Mullheim (DE)

U.S. PATENT DOCUMENTS

(72) Inventor: **Marc Tempel**, Freiburg (DE)

D536,417 S 2/2007 Buttgen

D537,916 S 3/2007 Buttgen

D577,416 S 9/2008 Buttgen

(73) Assignee: **Neoperl GmbH**, Mullheim (DE)

Primary Examiner — Robin V Webster

(**) Term: **14 Years**

(74) *Attorney, Agent, or Firm* — Volpe and Koenig, P.C.

(21) Appl. No.: **29/447,813**

(57) **CLAIM**

The ornamental design for a push button aerator, as shown and described.

(22) Filed: **Mar. 7, 2013**

DESCRIPTION

Related U.S. Application Data

(62) Division of application No. 29/390,852, filed on Apr. 29, 2011.

FIG. 1 is a top plan view of a first embodiment of a push button aerator in accordance with my design; FIG. 2 is a top, front perspective view thereof; FIG. 3 is a bottom view thereof; FIG. 4 is a bottom, rear perspective view thereof; and FIG. 5 is an elevational view thereof; FIG. 6 is a top plan view of a second embodiment of a push button aerator in accordance with my design; FIG. 7 is a top, front perspective view thereof; FIG. 8 is a bottom view thereof; FIG. 9 is a bottom, rear perspective view thereof; and, FIG. 10 is an elevational view thereof. The broken lines shown form no part of the claimed design.

(30) **Foreign Application Priority Data**

Feb. 16, 2011 (EM) 001260764-01/08

(51) **LOC (9) Cl.** **23-01**

(52) **U.S. Cl.**

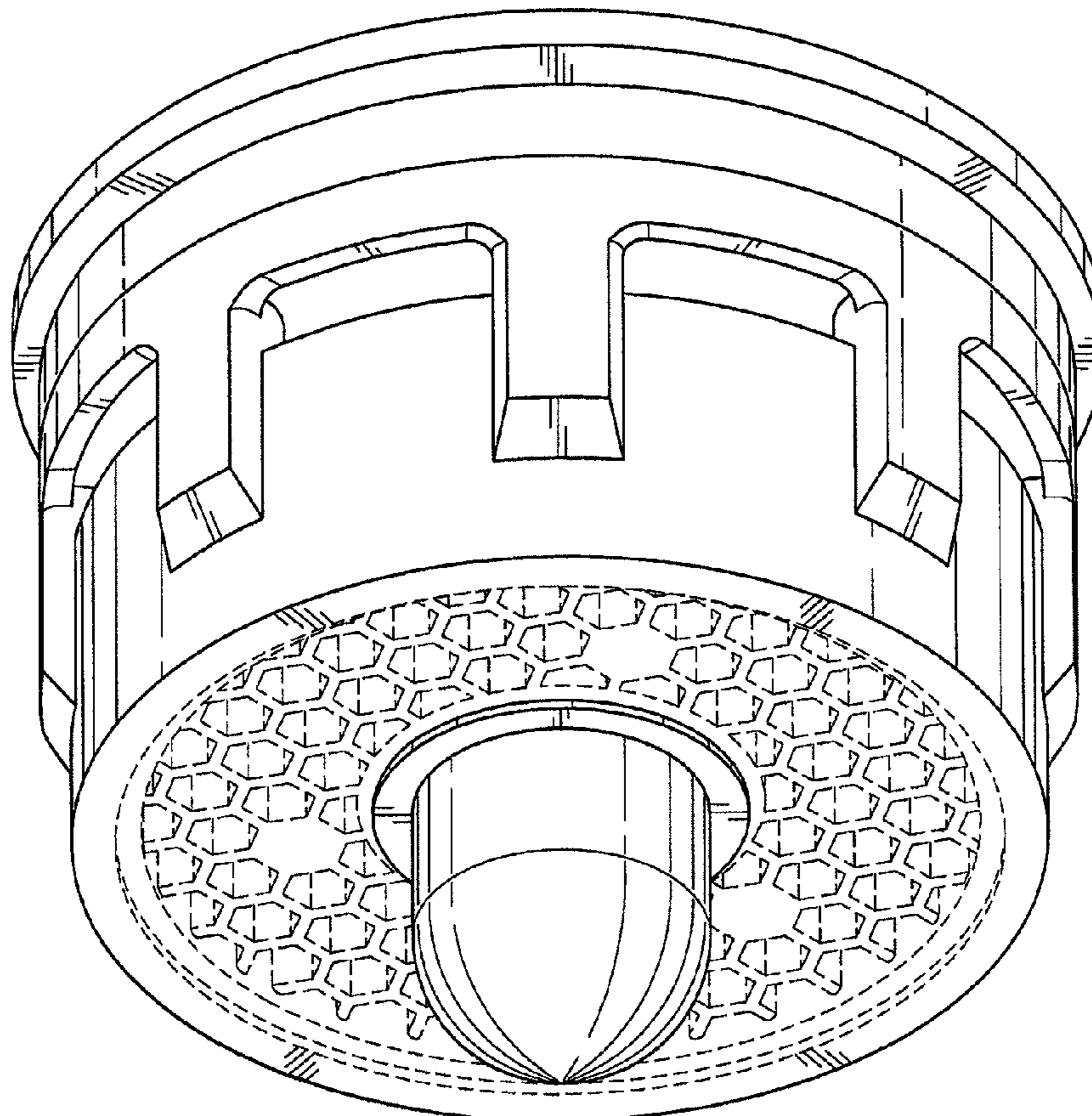
USPC **D23/213; D23/249**

(58) **Field of Classification Search**

USPC **D23/213, 249; 239/428.5, 437; 261/DIG. 22**

See application file for complete search history.

1 Claim, 10 Drawing Sheets



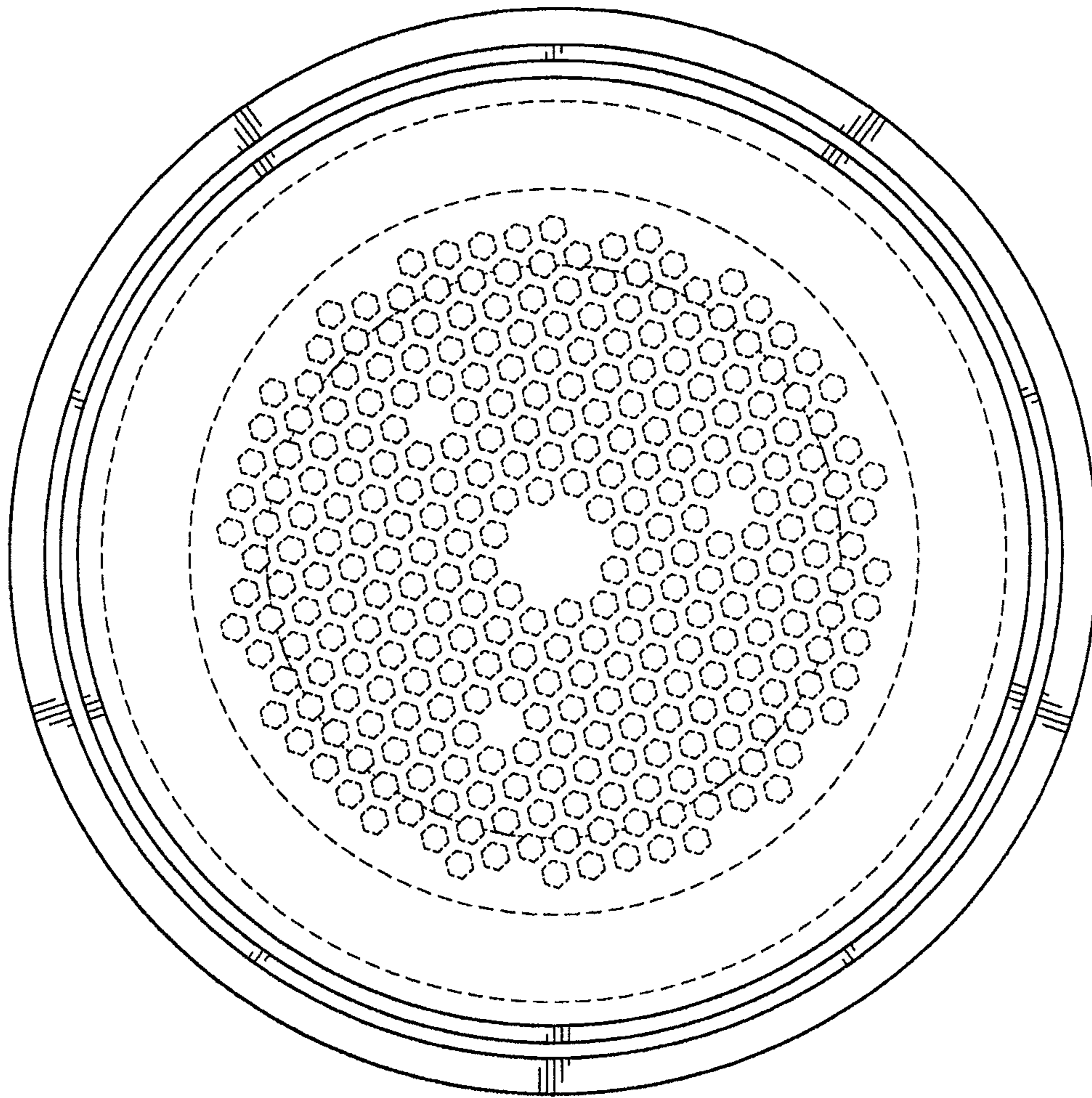


Fig. 1

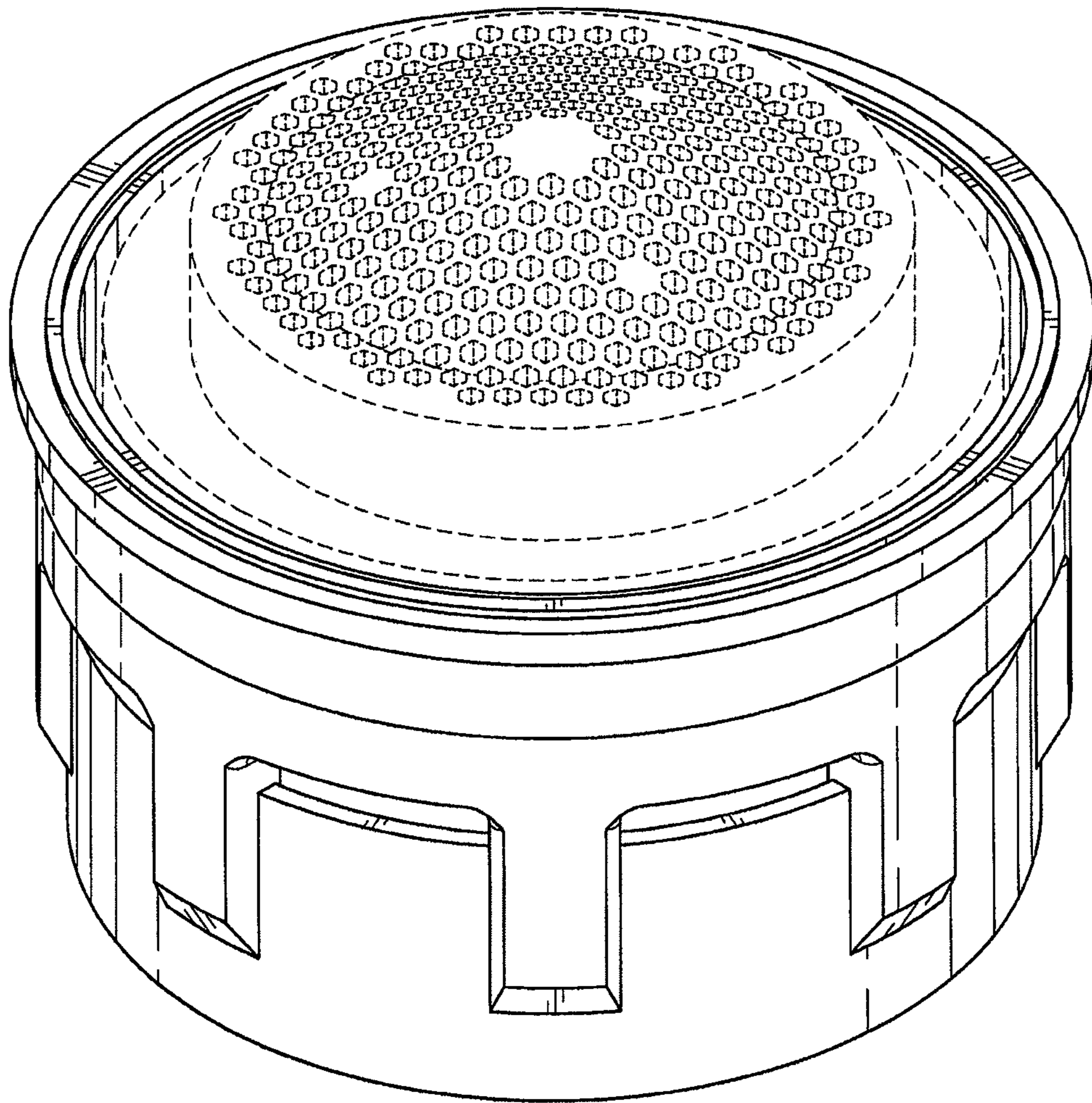


Fig. 2

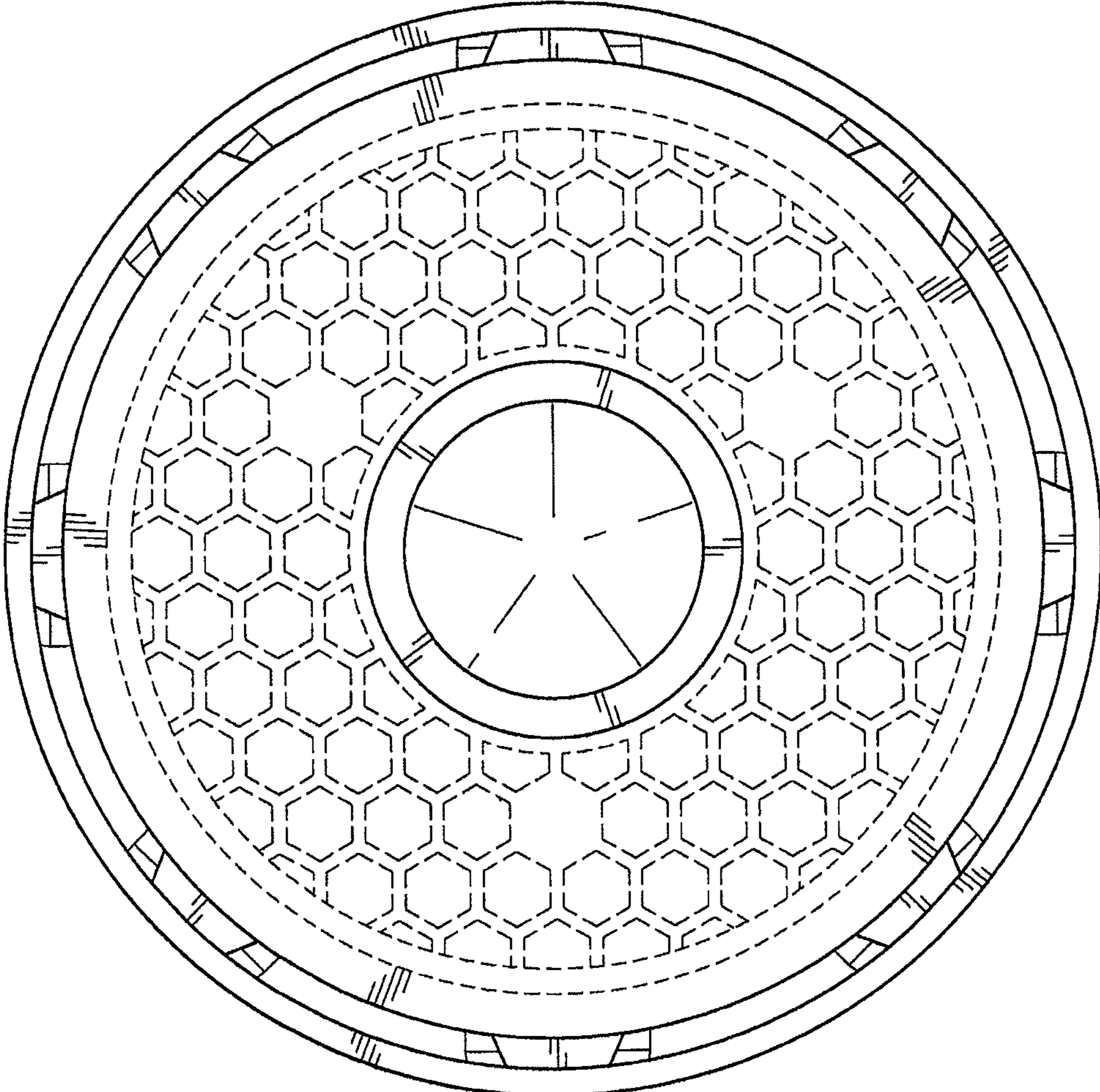


Fig. 3

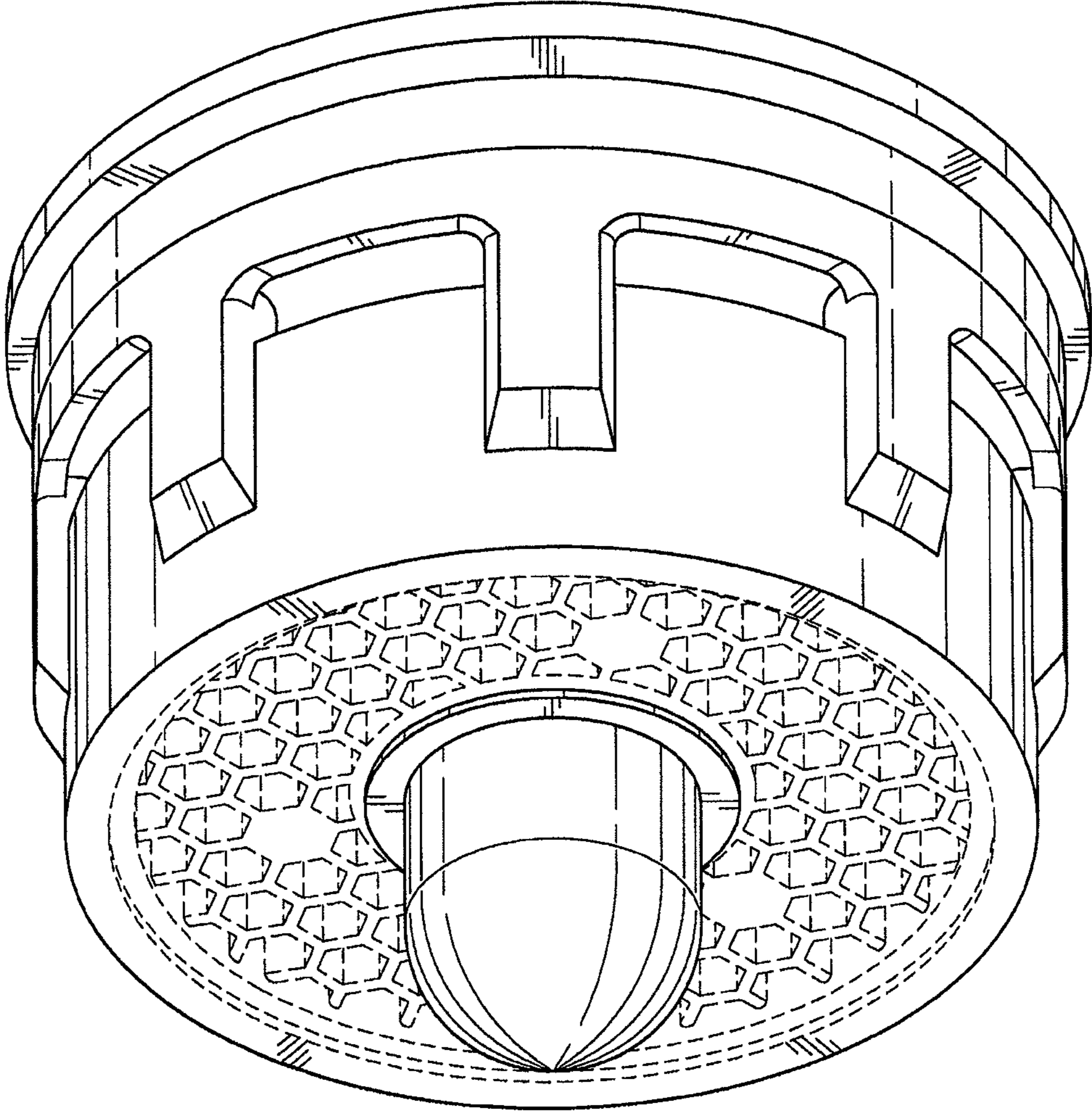


Fig. 4

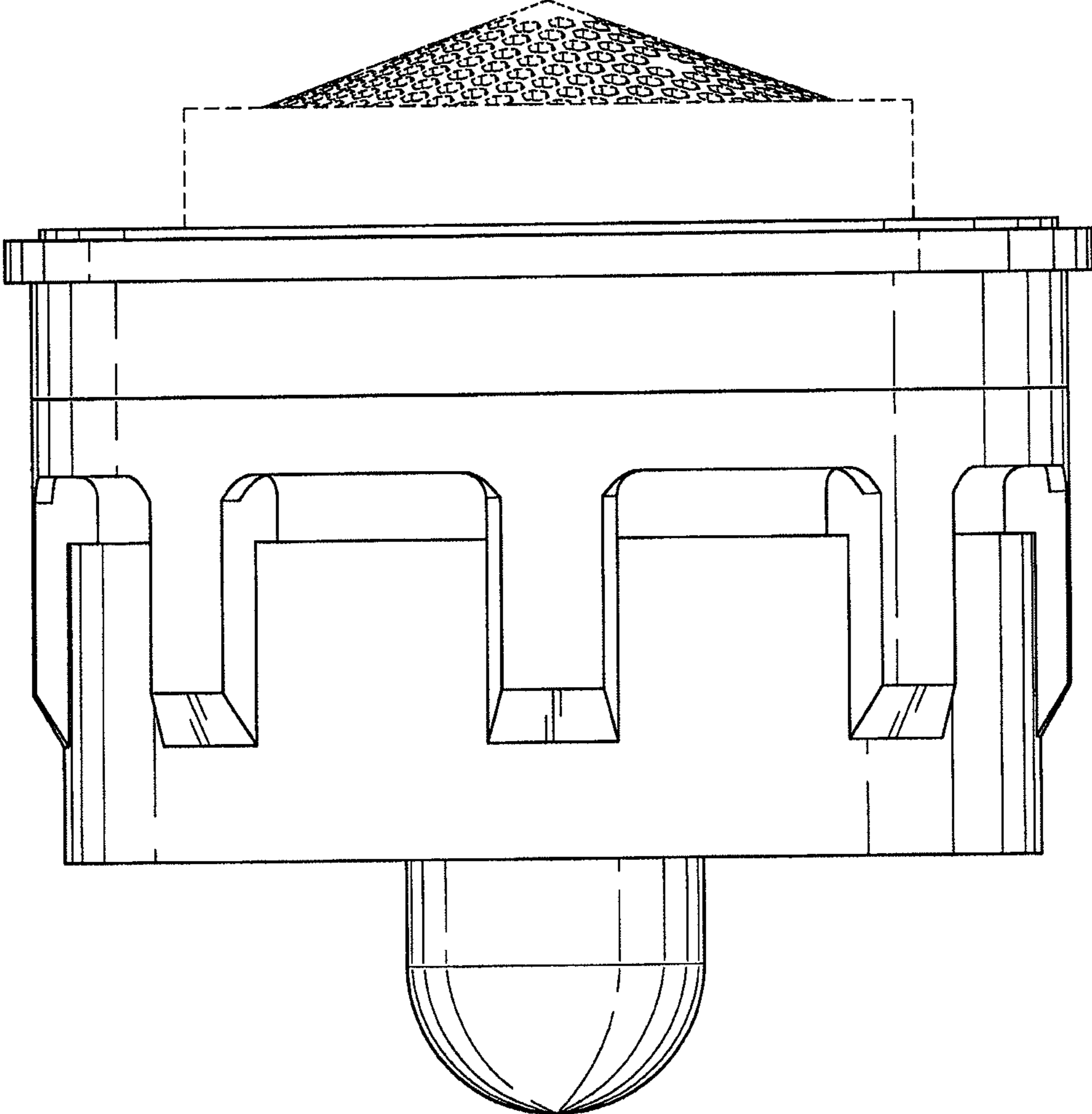


Fig. 5

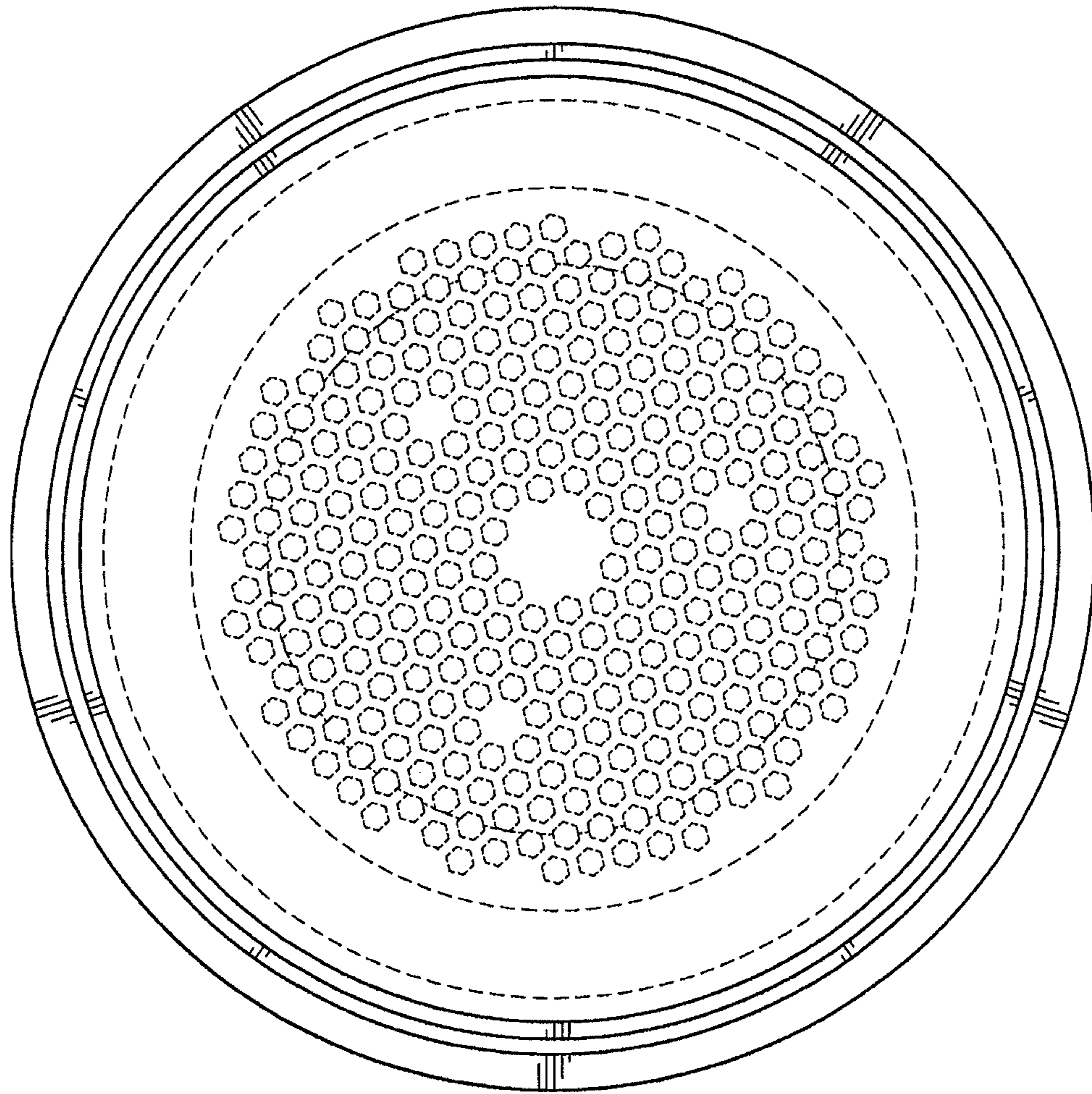


Fig. 6

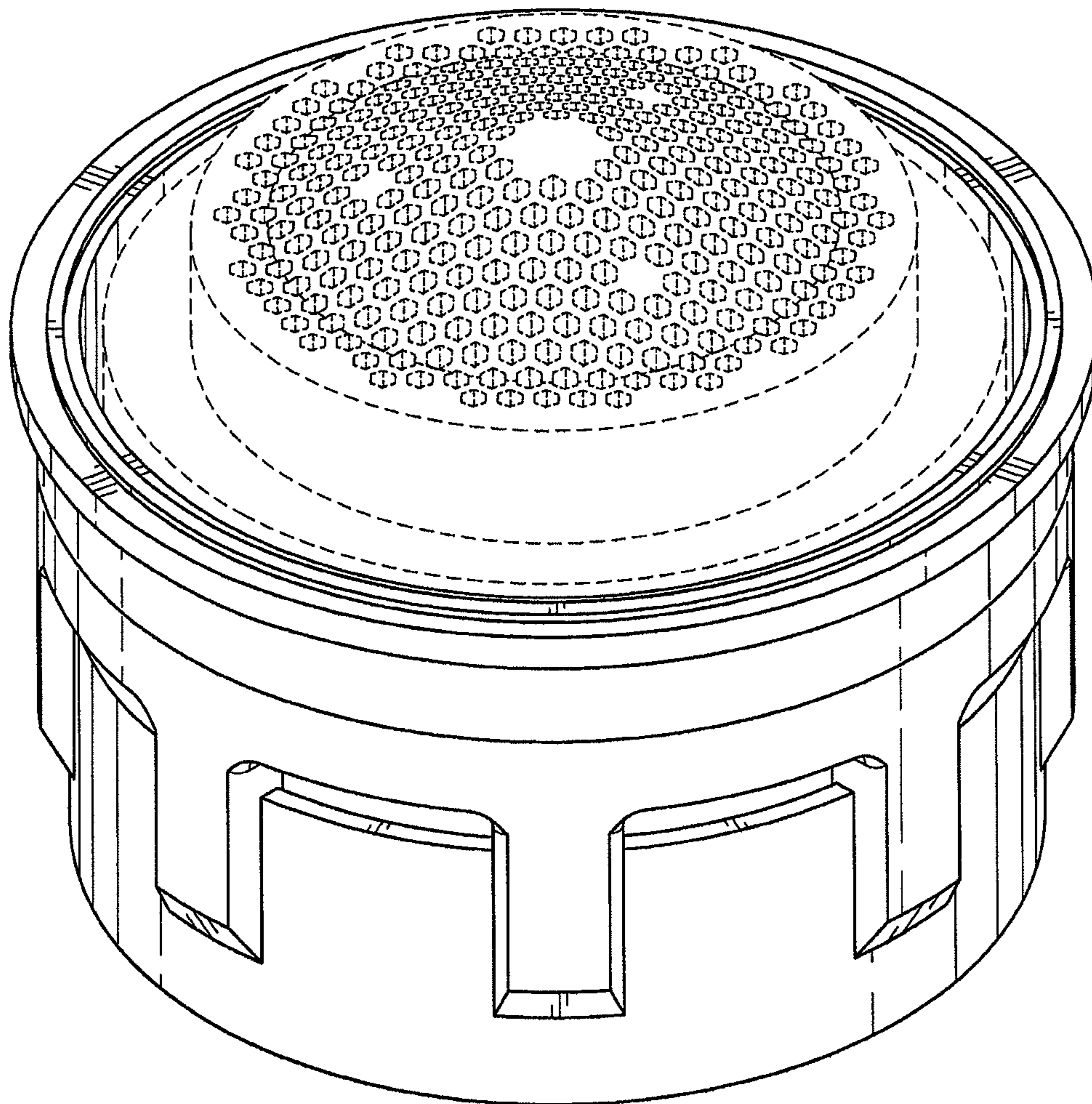


Fig. 7

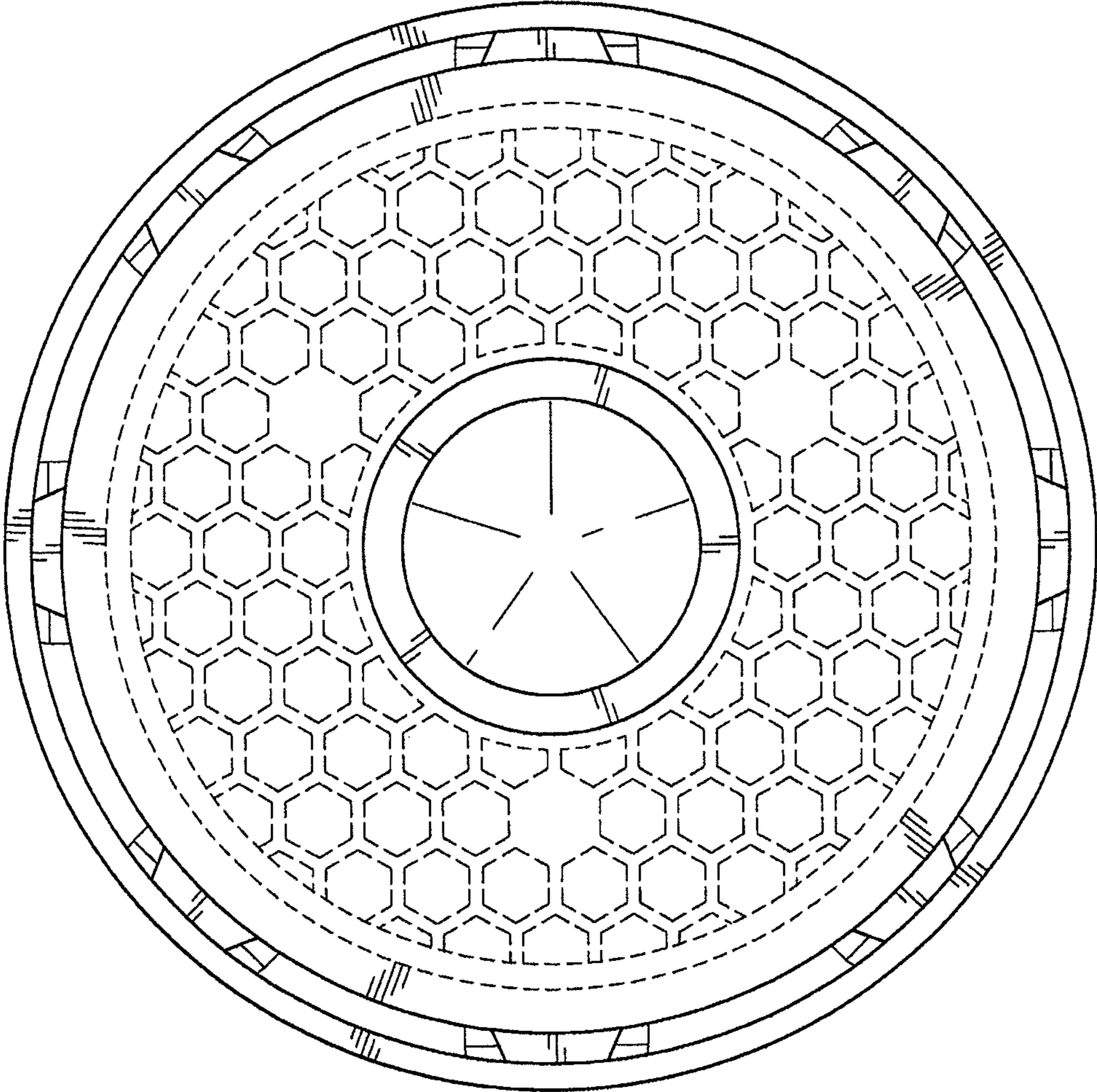


Fig. 8

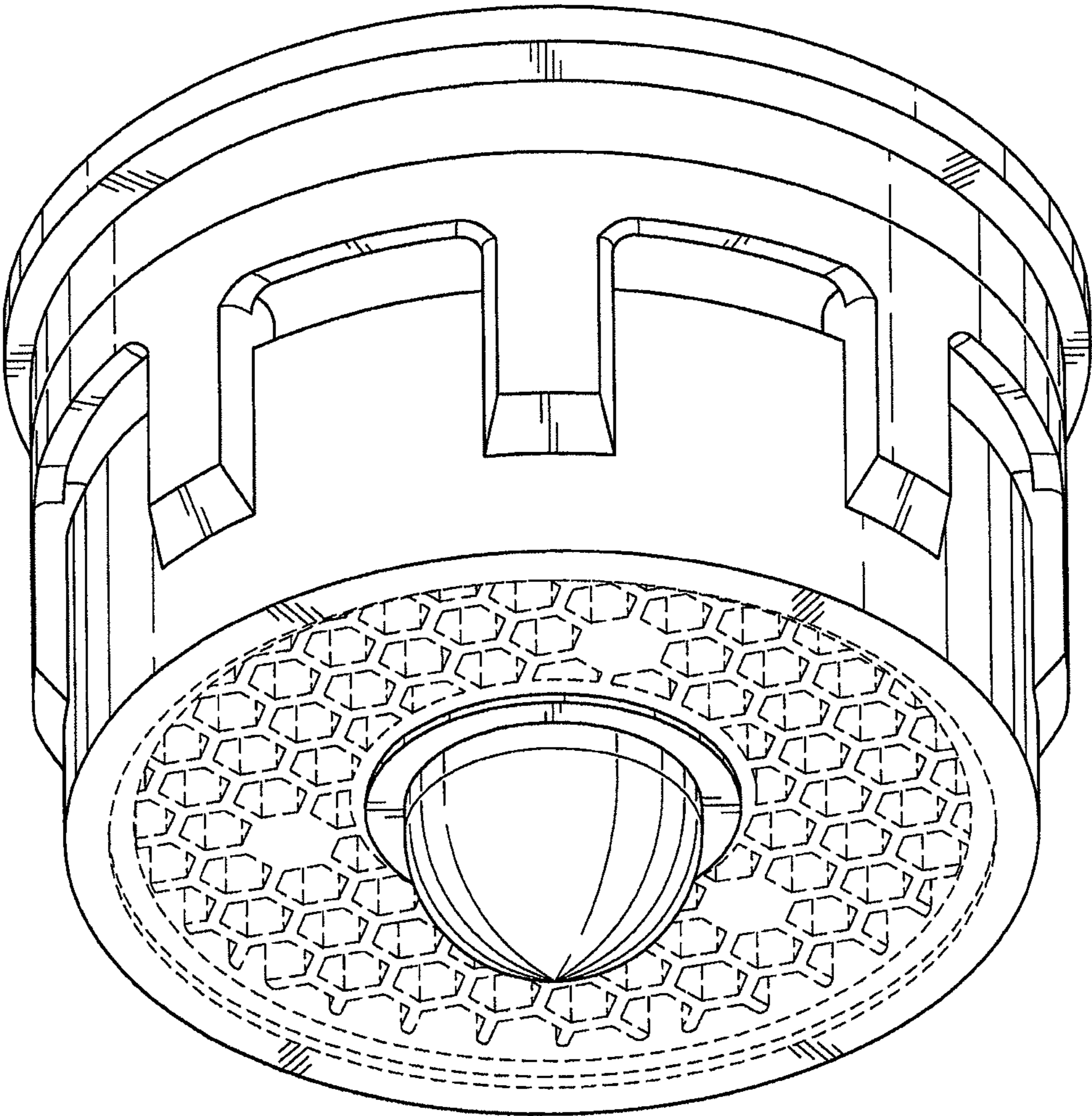


Fig. 9

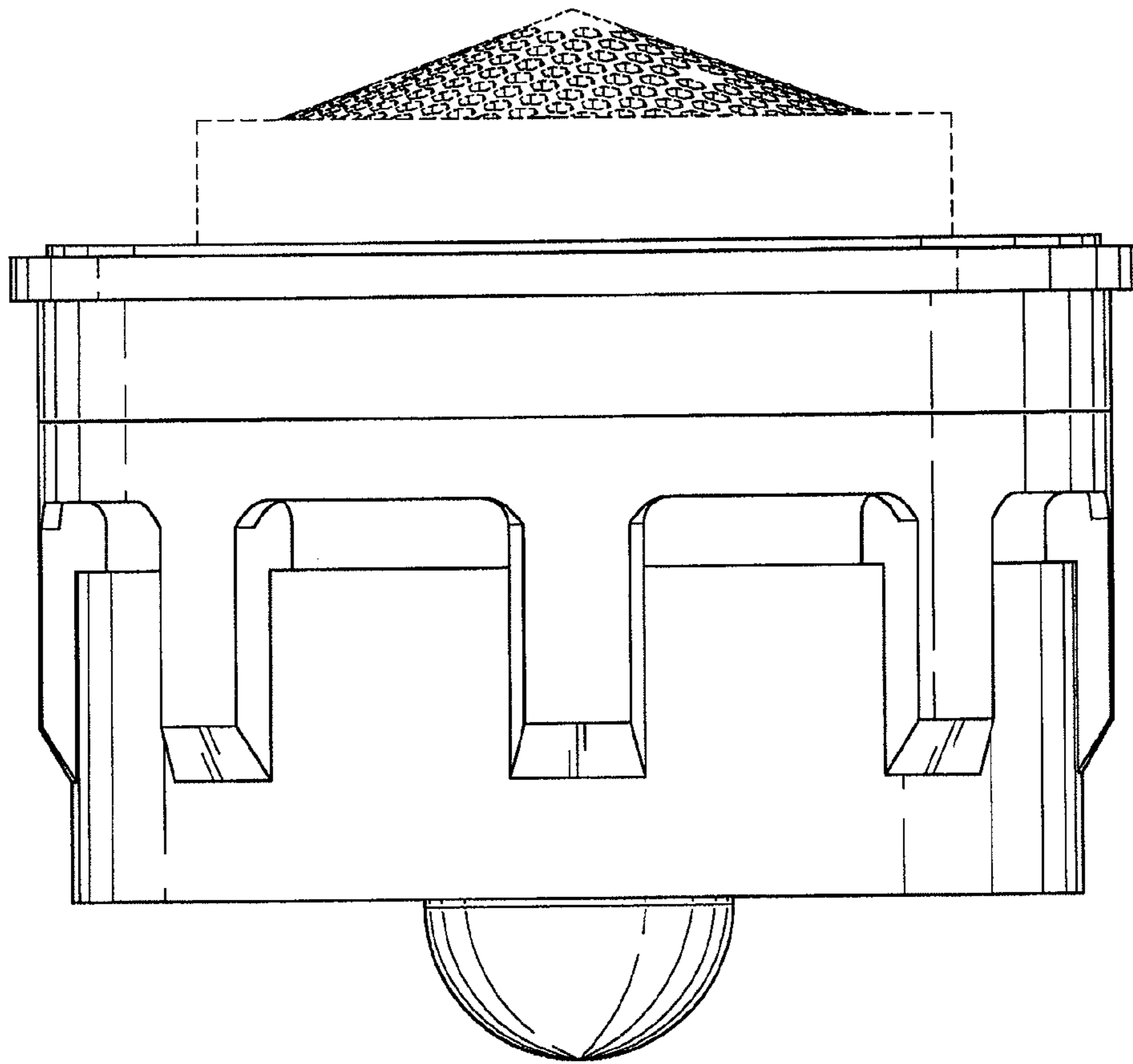


Fig. 10