



US00D688773S

(12) **United States Design Patent**  
**Stein**

(10) **Patent No.:** **US D688,773 S**

(45) **Date of Patent:** **\*\* Aug. 27, 2013**

(54) **FLOW REGULATOR**

(71) Applicant: **Neoperl GmbH**, Mullheim (DE)

(72) Inventor: **Alexander Stein**, Ihringen (DE)

(73) Assignee: **Neoperl GmbH**, Mullheim (DE)

(\*\*) Term: **14 Years**

(21) Appl. No.: **29/446,523**

(22) Filed: **Feb. 25, 2013**

**Related U.S. Application Data**

(60) Division of application No. 29/388,297, filed on Mar. 28, 2011, which is a continuation-in-part of application No. 29/365,360, filed on Jul. 8, 2010, now Pat. No. Des. 635,222, which is a division of application No. 29/354,983, filed on Feb. 1, 2010, now Pat. No. Des. 625,394.

**Foreign Application Priority Data**

(30) Nov. 10, 2009 (EM) ..... 1177364  
(51) **LOC (9) Cl.** ..... **23-01**  
(52) **U.S. Cl.**  
USPC ..... **D23/213; D23/249**

(58) **Field of Classification Search**

USPC ..... D23/213, 249; 239/428.5, 437;  
261/DIG. 22

See application file for complete search history.

(56) **References Cited**

**U.S. PATENT DOCUMENTS**

D536,417 S	2/2007	Buttgen
D537,916 S	3/2007	Buttgen
D577,416 S	9/2008	Buttgen
D604,806 S	11/2009	Blum
D605,732 S	12/2009	Stein
D609,783 S	2/2010	Blum
D609,784 S	2/2010	Grether
D612,911 S	3/2010	Grether
D614,735 S	4/2010	Grether

*Primary Examiner* — Robin V Webster

(74) *Attorney, Agent, or Firm* — Volpe and Koenig, P.C.

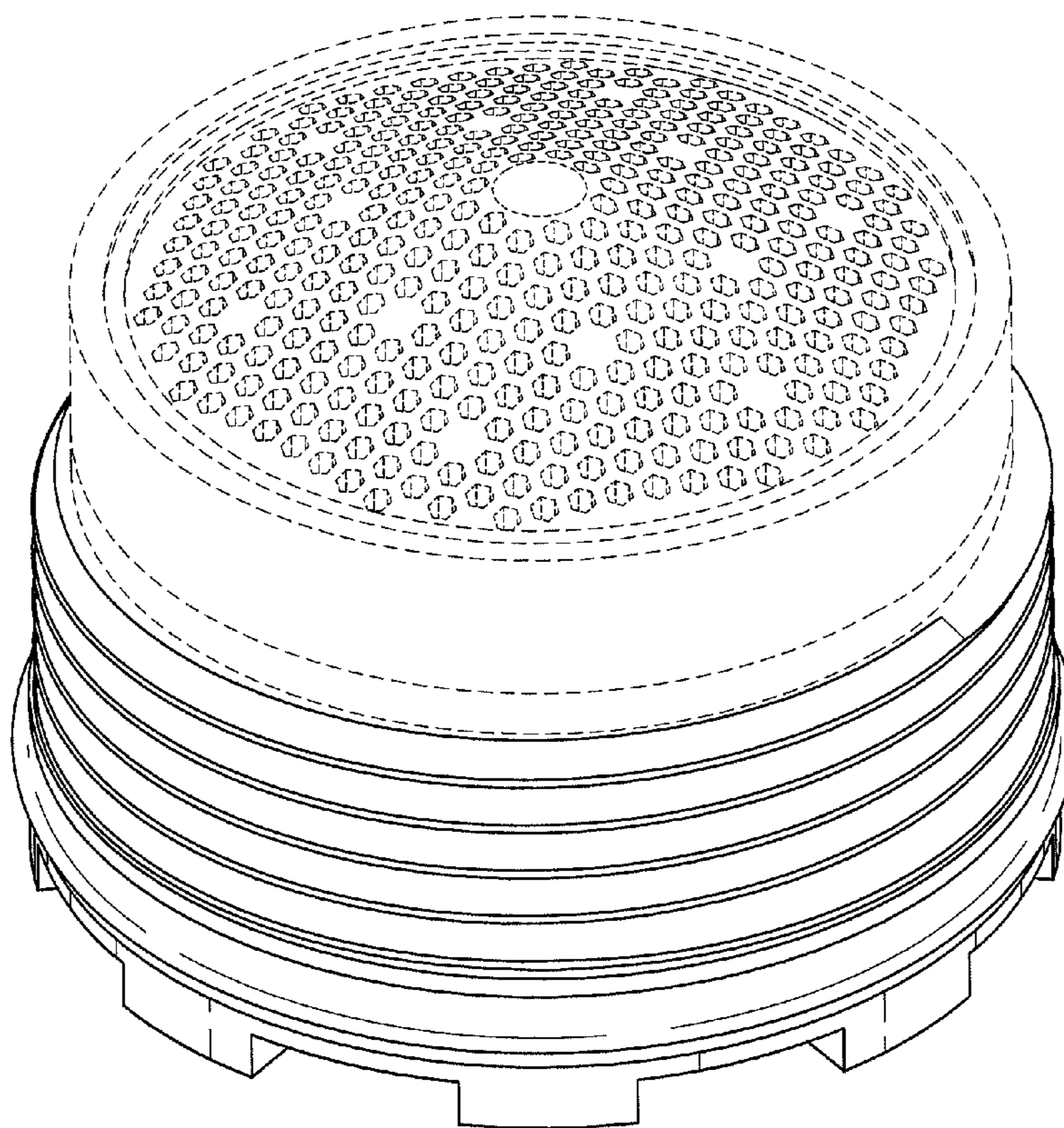
(57) **CLAIM**

The ornamental design for a flow regulator, as shown and described.

**DESCRIPTION**

FIG. 1 is a top, front perspective view of a flow regulator in accordance with my design;  
FIG. 2 is a top plan view thereof;  
FIG. 3 is a bottom, rear perspective view thereof;  
FIG. 4 is bottom view thereof; and,  
FIG. 5 is a side elevational view thereof.  
The broken lines shown form no part of the claimed design.

**1 Claim, 5 Drawing Sheets**



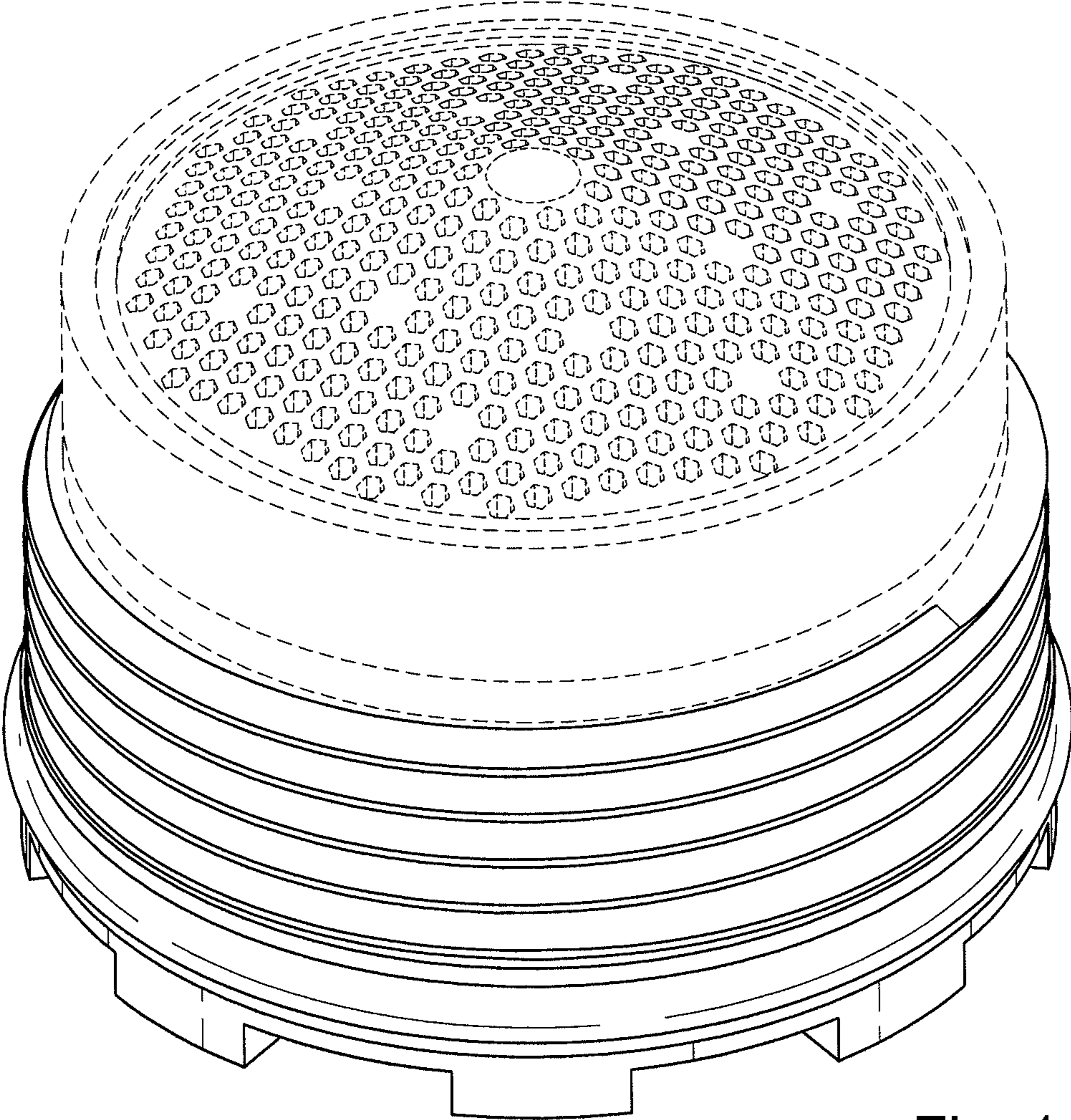


Fig. 1



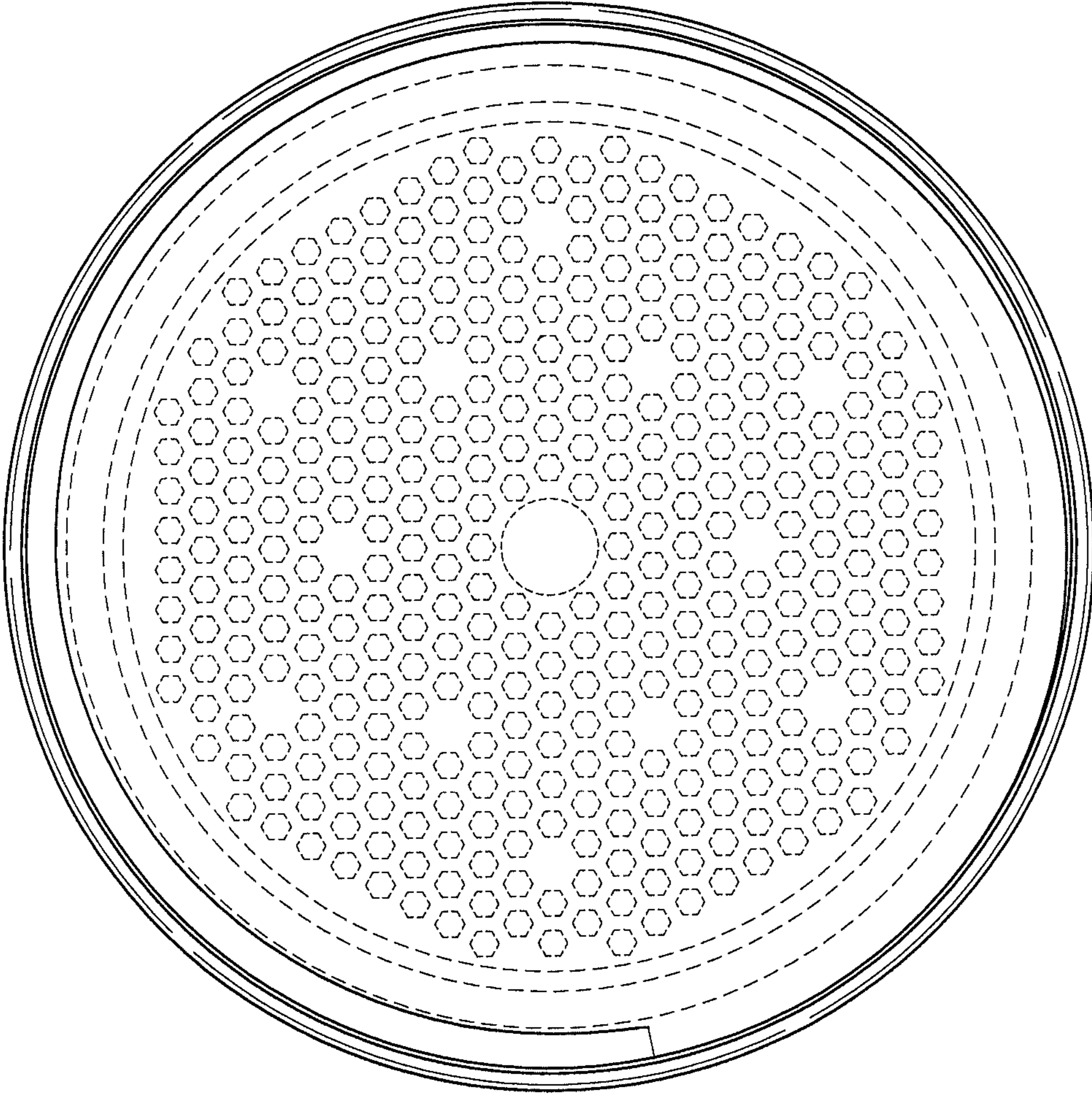


Fig. 2

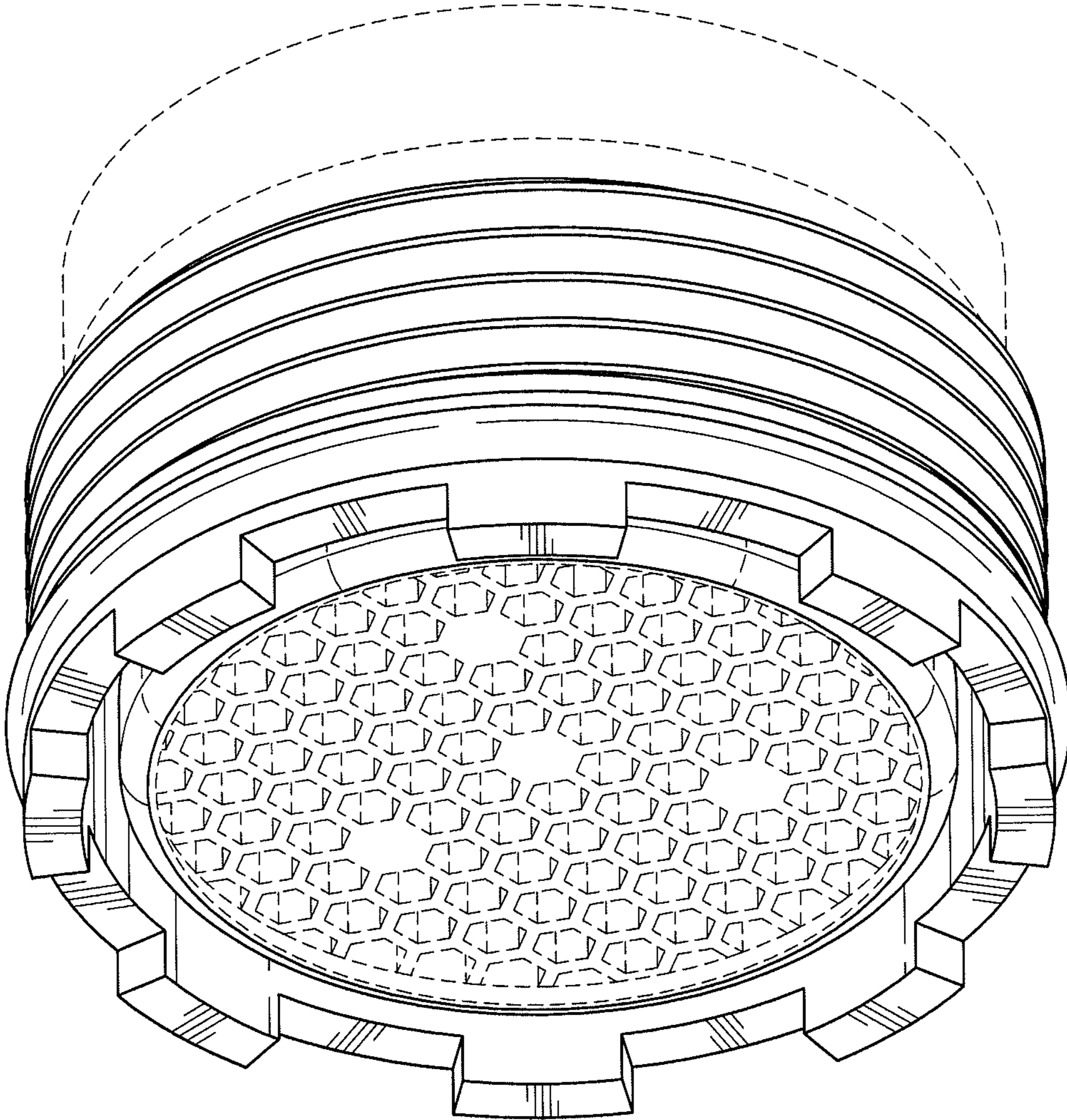


Fig. 3

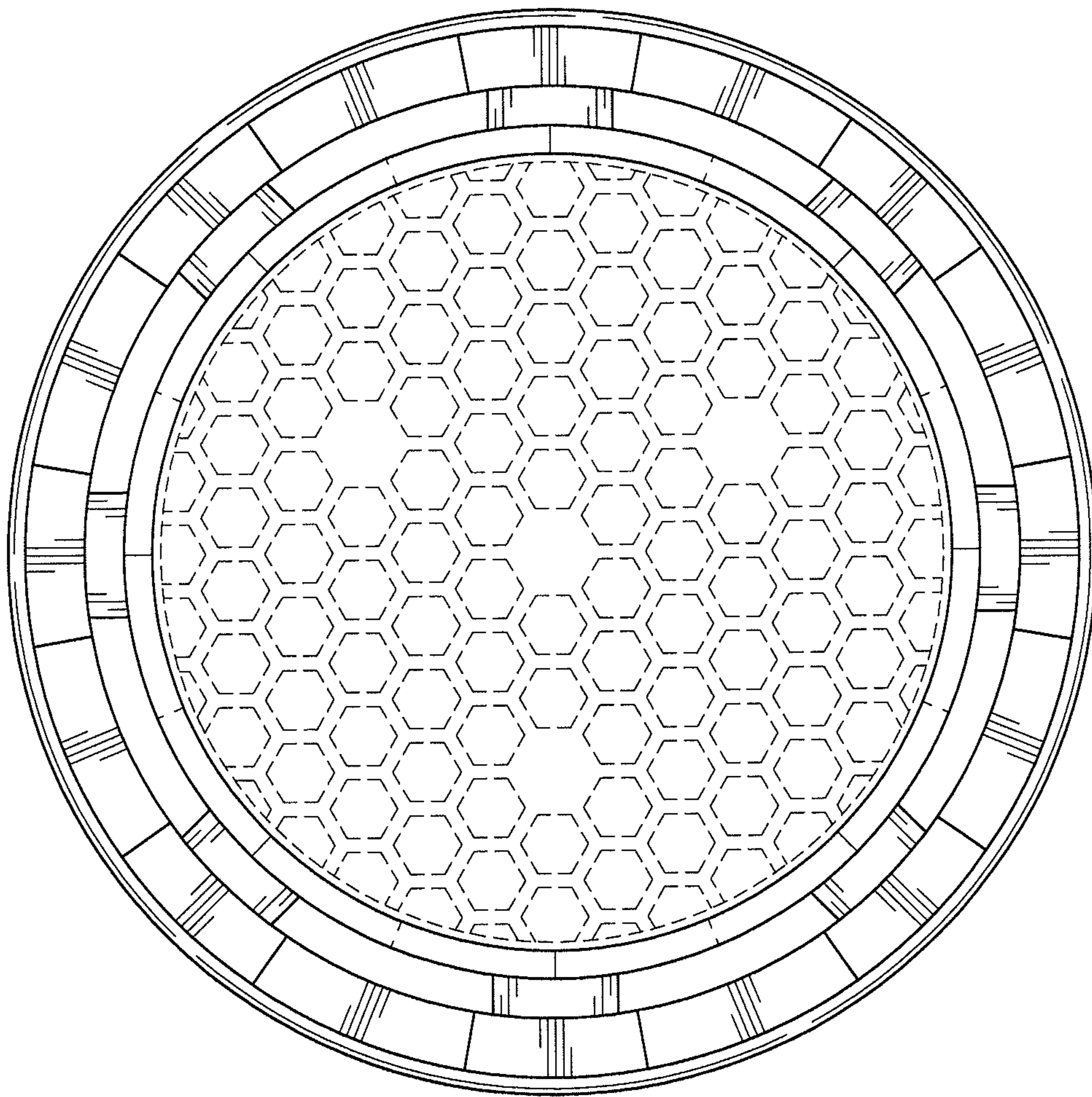


Fig. 4



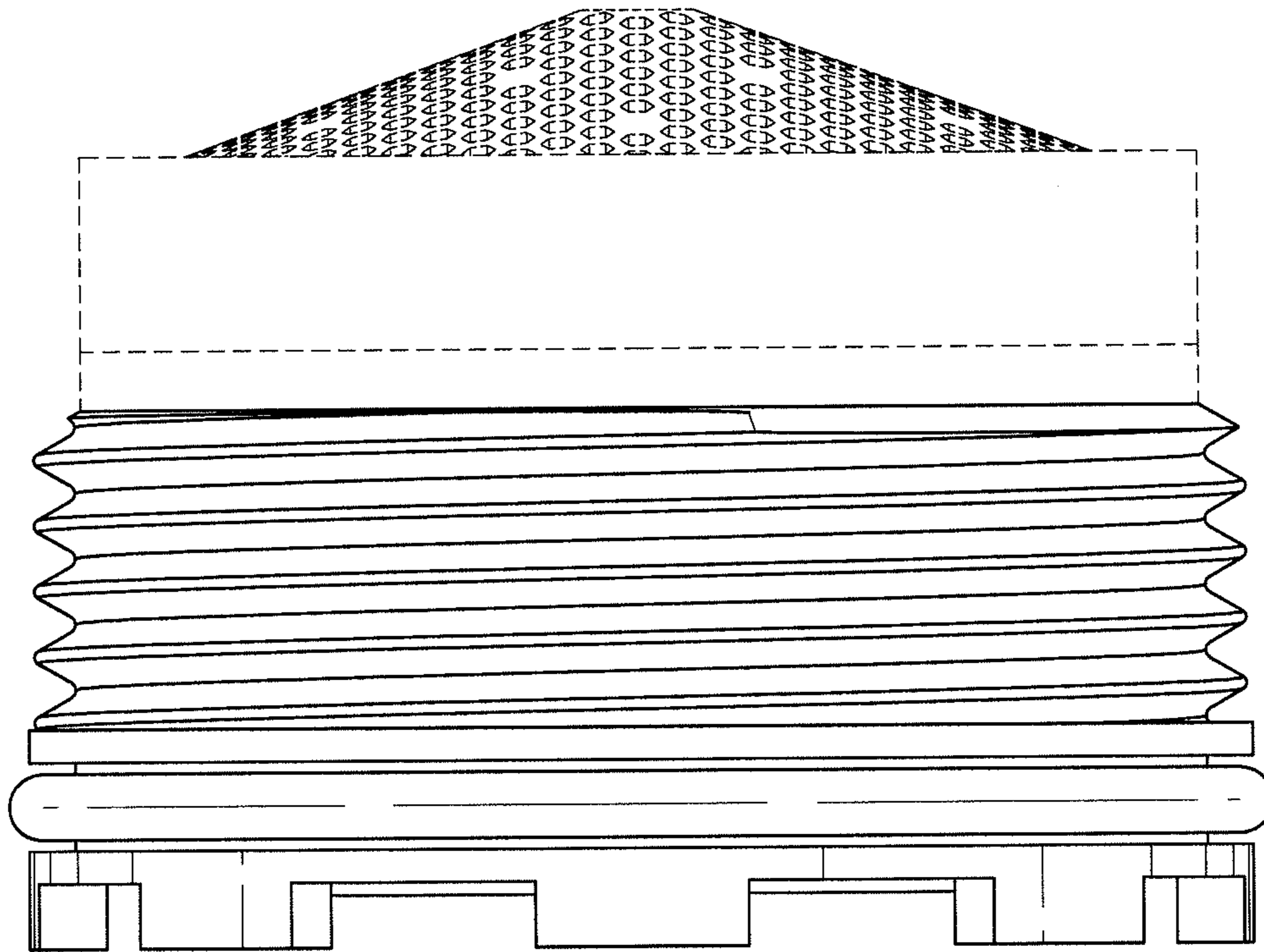


Fig. 5