



US00D688772S

(12) **United States Design Patent**  
**Oren et al.**

(10) **Patent No.:** **US D688,772 S**

(45) **Date of Patent:** **\*\* Aug. 27, 2013**

(54) **PROPPANT VESSEL**

(71) Applicants: **John Oren**, Houston, TX (US); **Joshua Oren**, Houston, TX (US)

(72) Inventors: **John Oren**, Houston, TX (US); **Joshua Oren**, Houston, TX (US)

(\*\*) Term: **14 Years**

(21) Appl. No.: **29/436,167**

(22) Filed: **Nov. 2, 2012**

(51) **LOC (9) Cl.** ..... **23-01**

(52) **U.S. Cl.**  
USPC ..... **D23/202**

(58) **Field of Classification Search**  
USPC ..... D23/202-206; 222/185.1; 206/386;  
414/813; 220/581  
See application file for complete search history.

(56) **References Cited**

U.S. PATENT DOCUMENTS

D216,511 S \* 1/1970 Coleman ..... D23/202  
5,704,477 A \* 1/1998 Hermann et al. .... 206/386

7,036,662 B2 \* 5/2006 Schutz ..... 206/386  
7,878,327 B2 \* 2/2011 Cassina ..... 206/386  
7,897,223 B2 \* 3/2011 Schubbach et al. .... 428/35.7  
7,958,995 B2 \* 6/2011 Dedmon et al. .... 206/386

\* cited by examiner

*Primary Examiner* — Robin V Webster

(74) *Attorney, Agent, or Firm* — Egbert Law Offices, PLLC

(57) **CLAIM**

The ornamental design for a proppant vessel, as shown and described.

**DESCRIPTION**

FIG. 1 is an upper perspective view of the proppant vessel showing our design.

FIG. 2 is a front elevation view thereof;

FIG. 3 is a rear elevation view thereof;

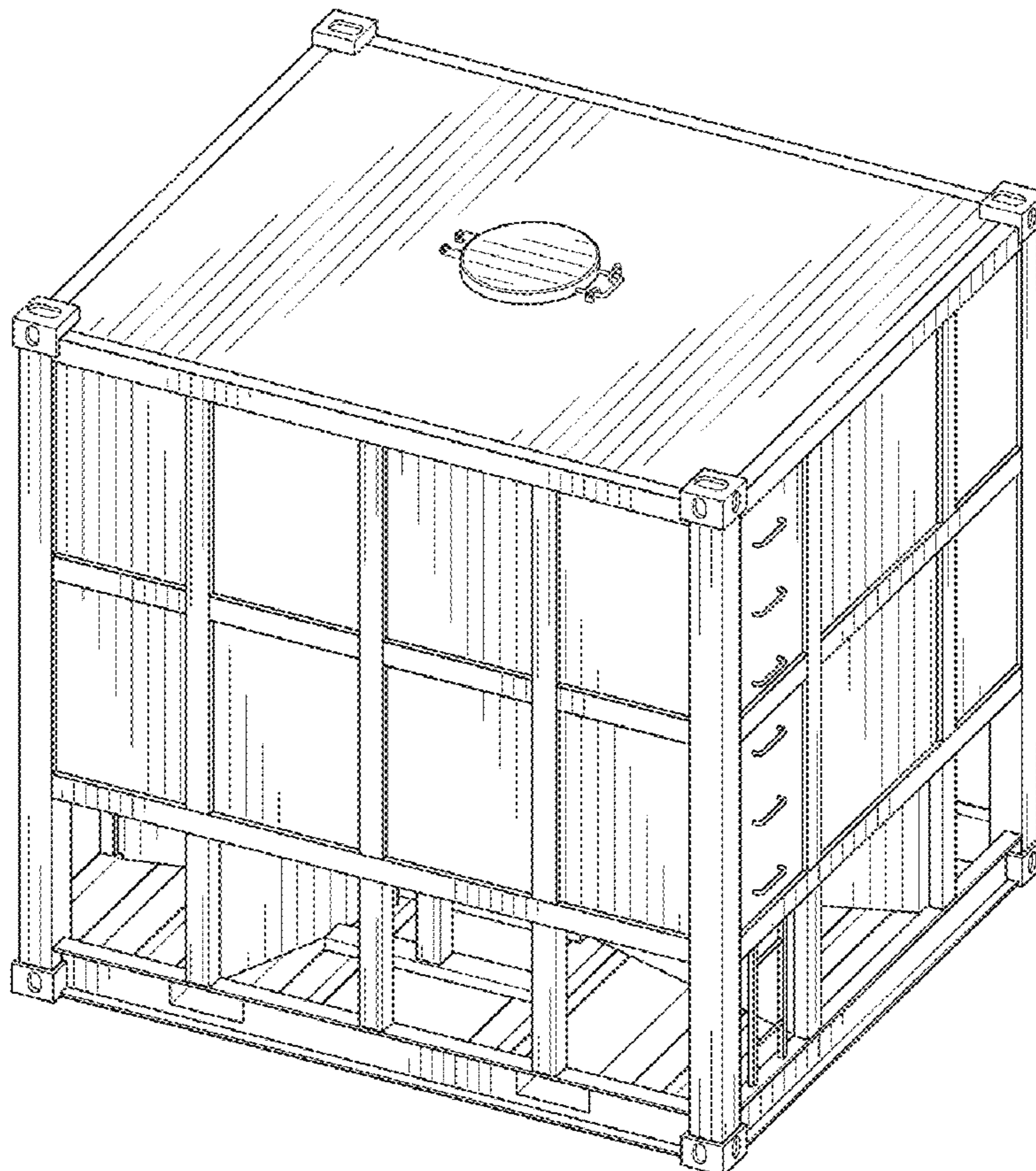
FIG. 4 is a side elevation view thereof;

FIG. 5 is an opposite side elevation view thereof;

FIG. 6 is a top plan view thereof; and,

FIG. 7 is a bottom plan view thereof.

**1 Claim, 2 Drawing Sheets**



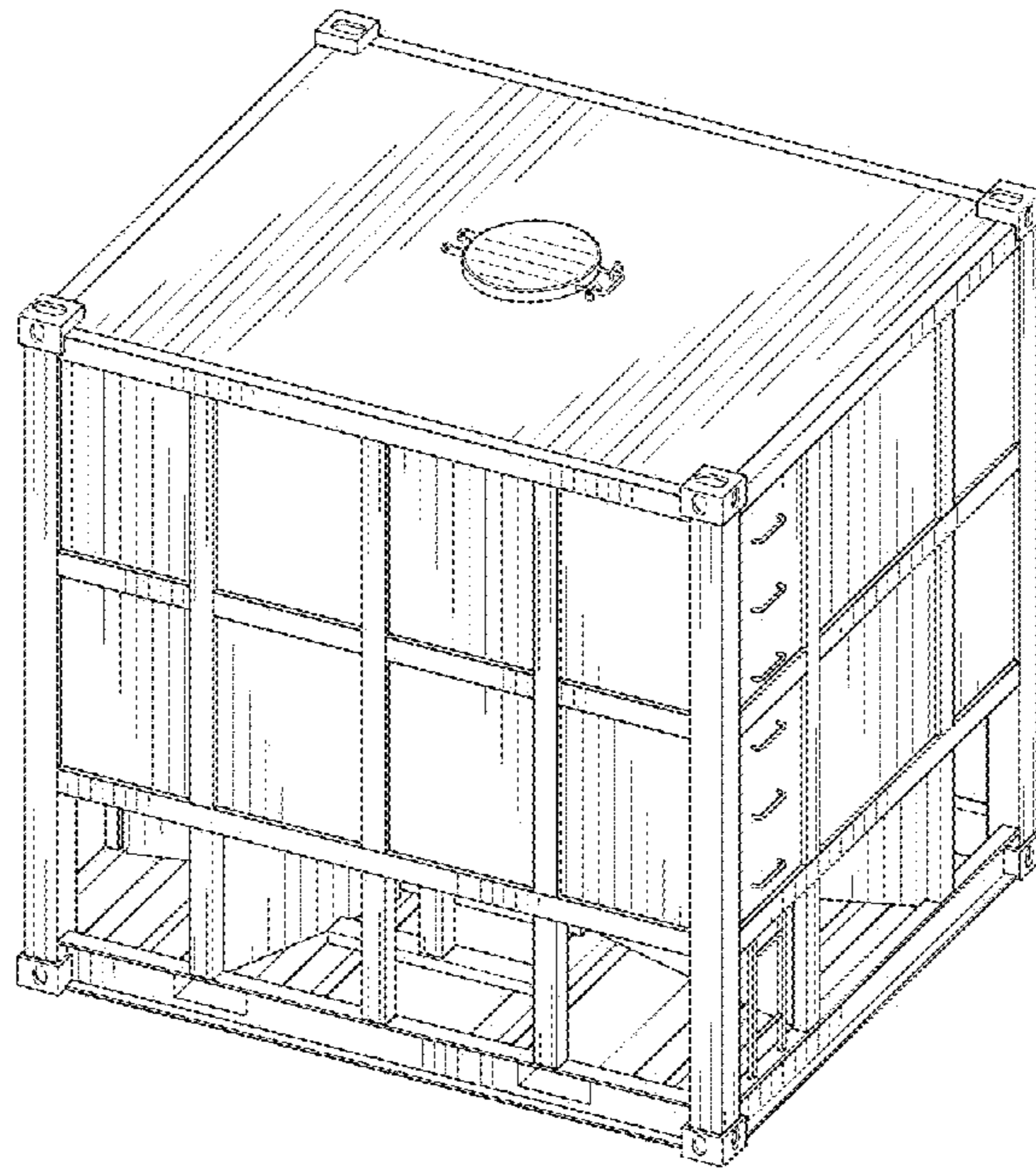


FIG. 1

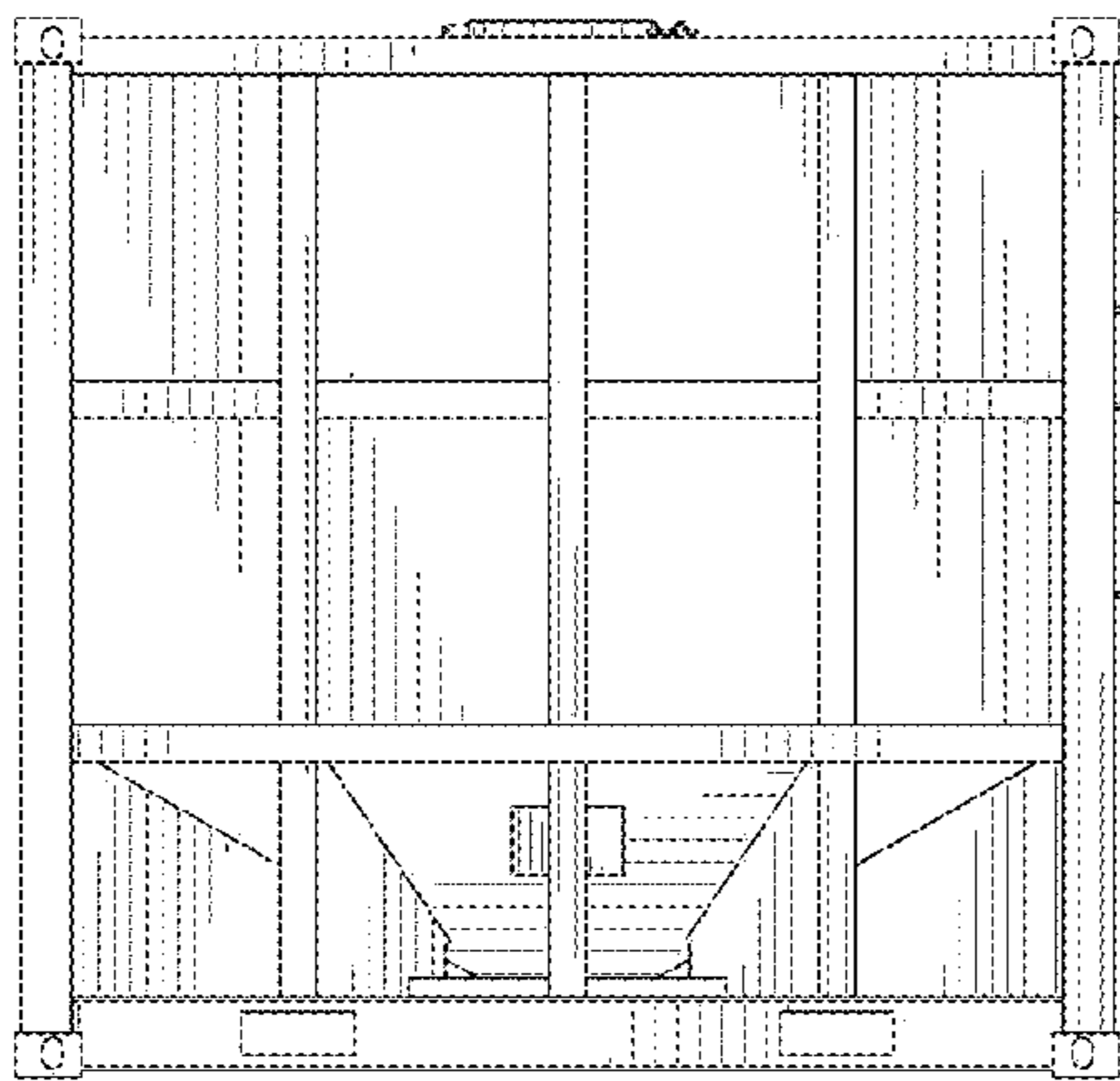


FIG. 2

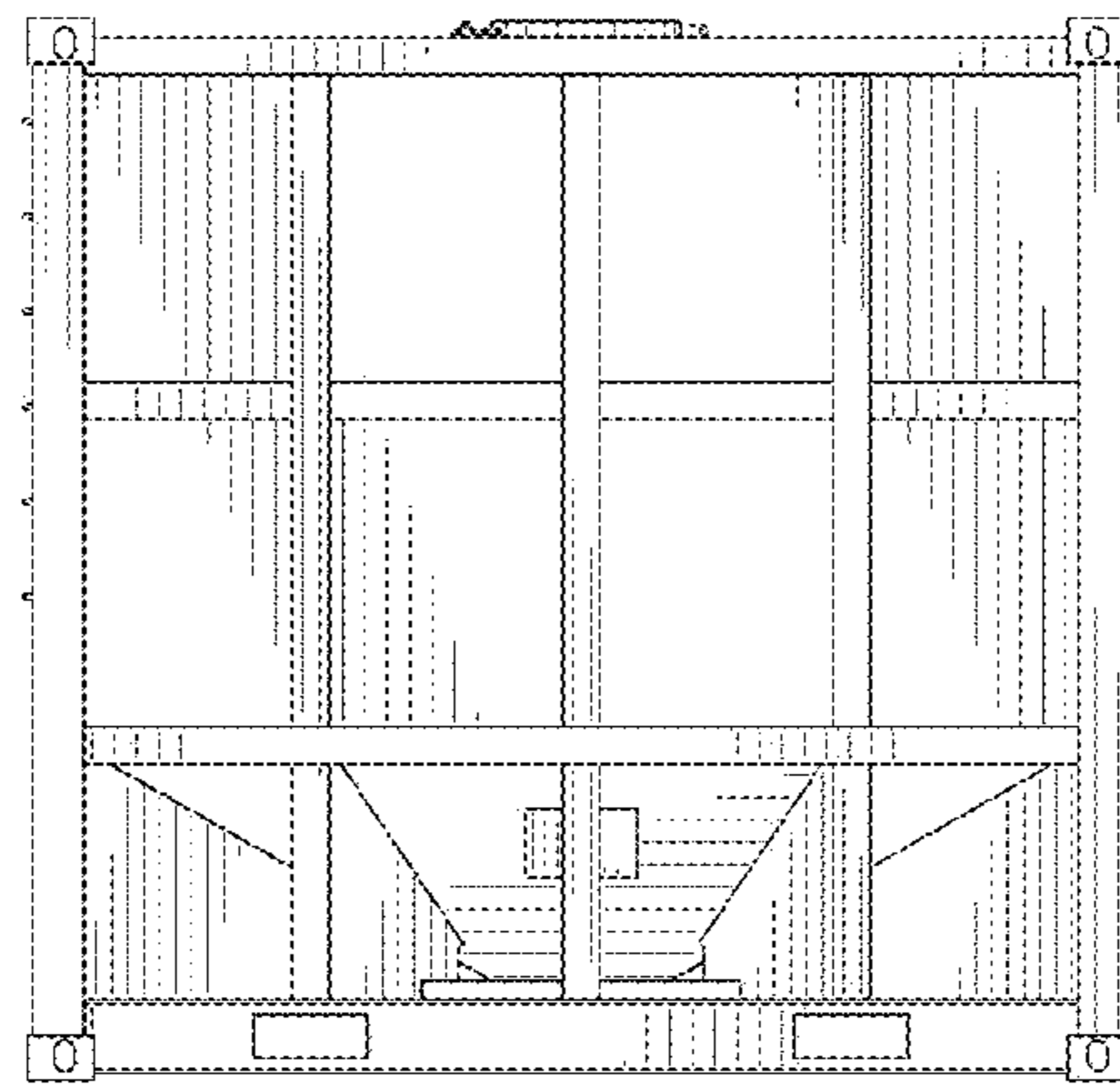


FIG. 3

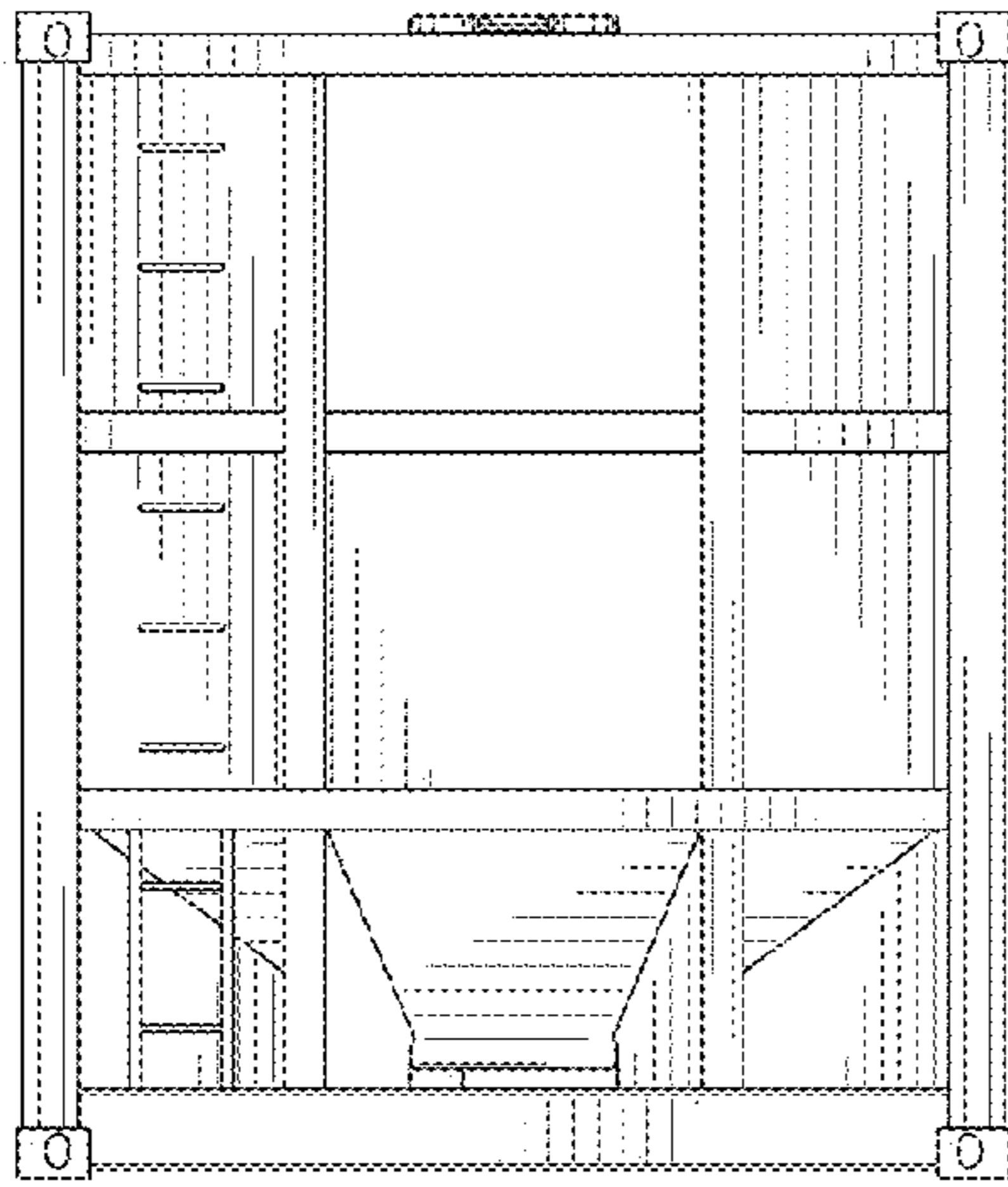


FIG. 4

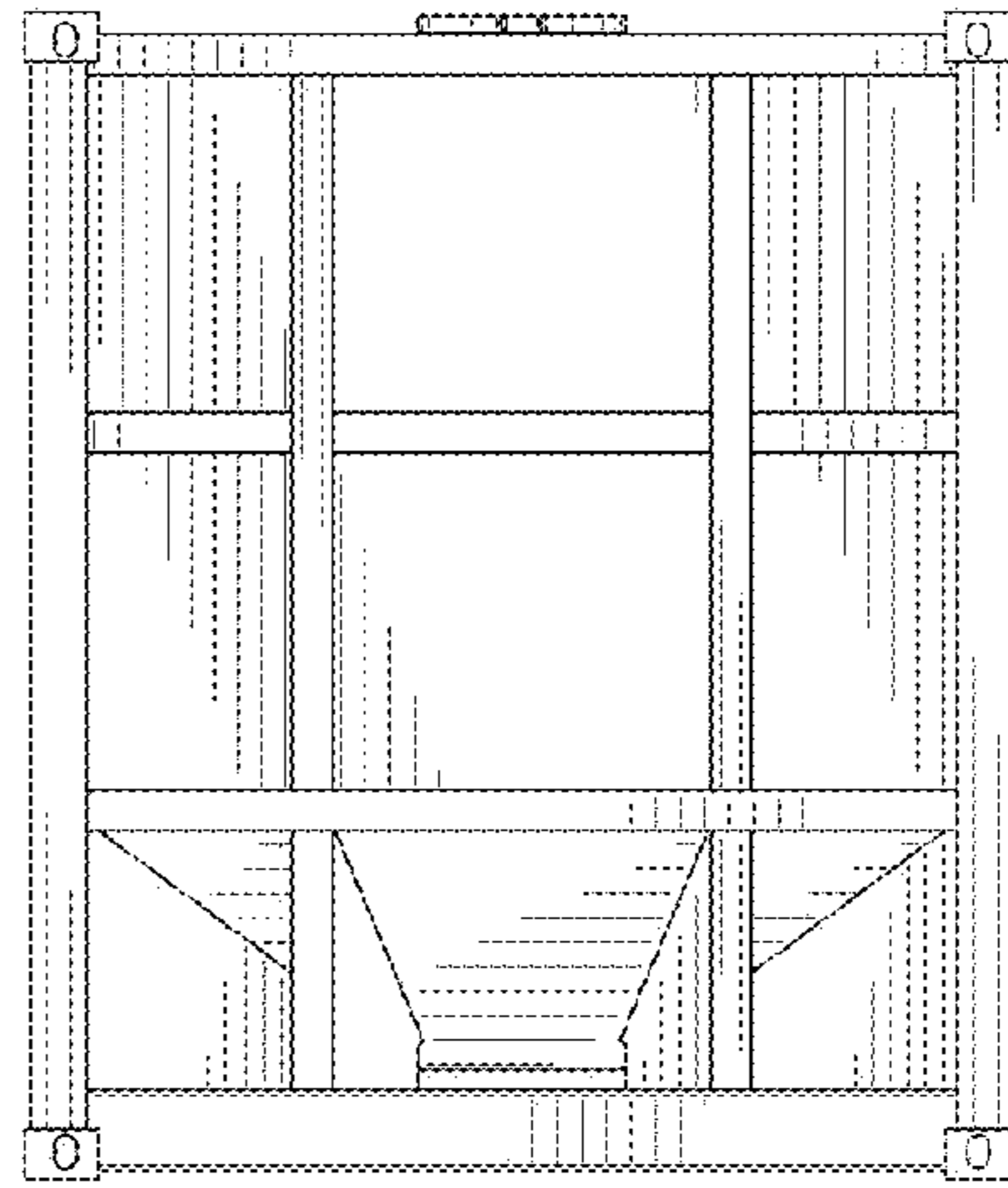


FIG. 5

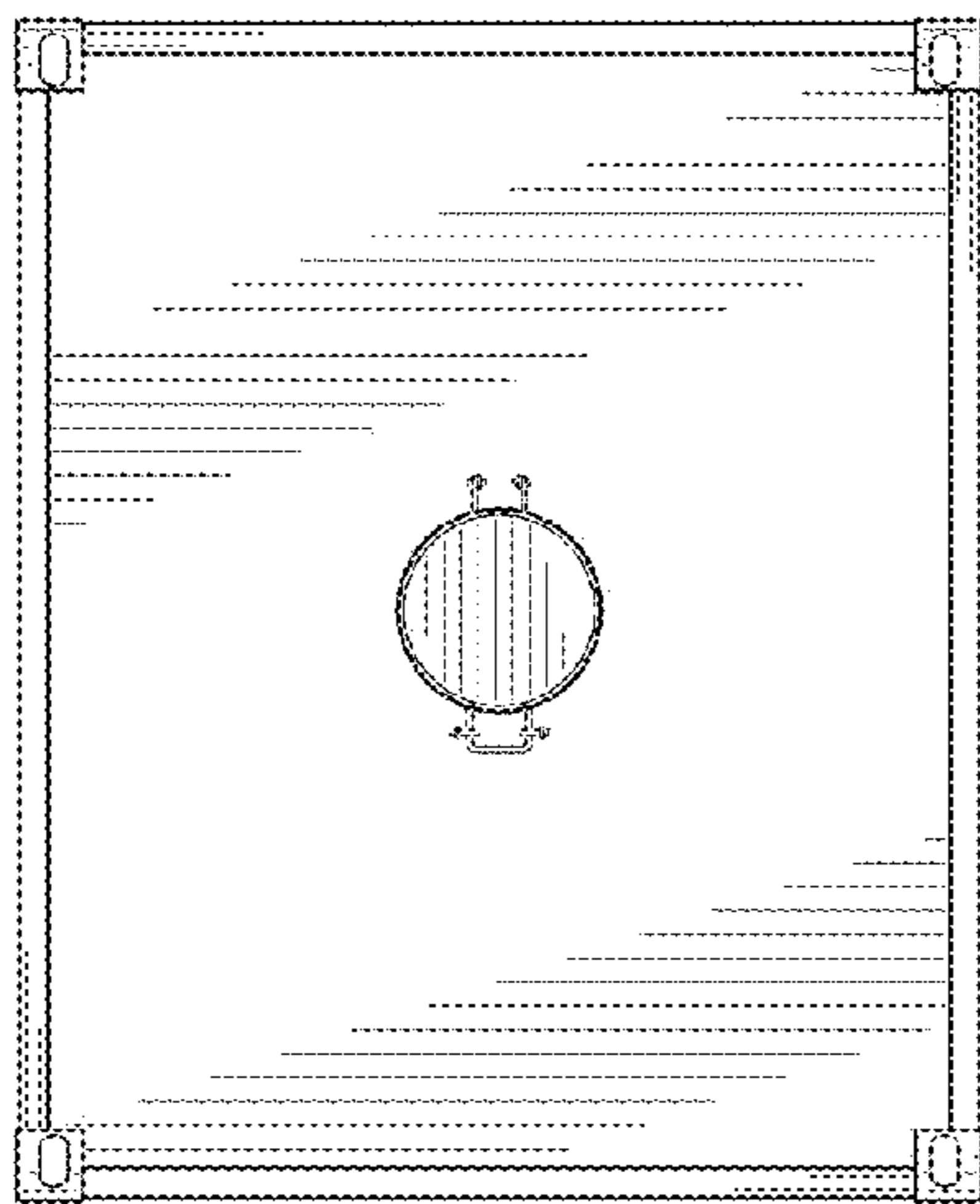


FIG. 6

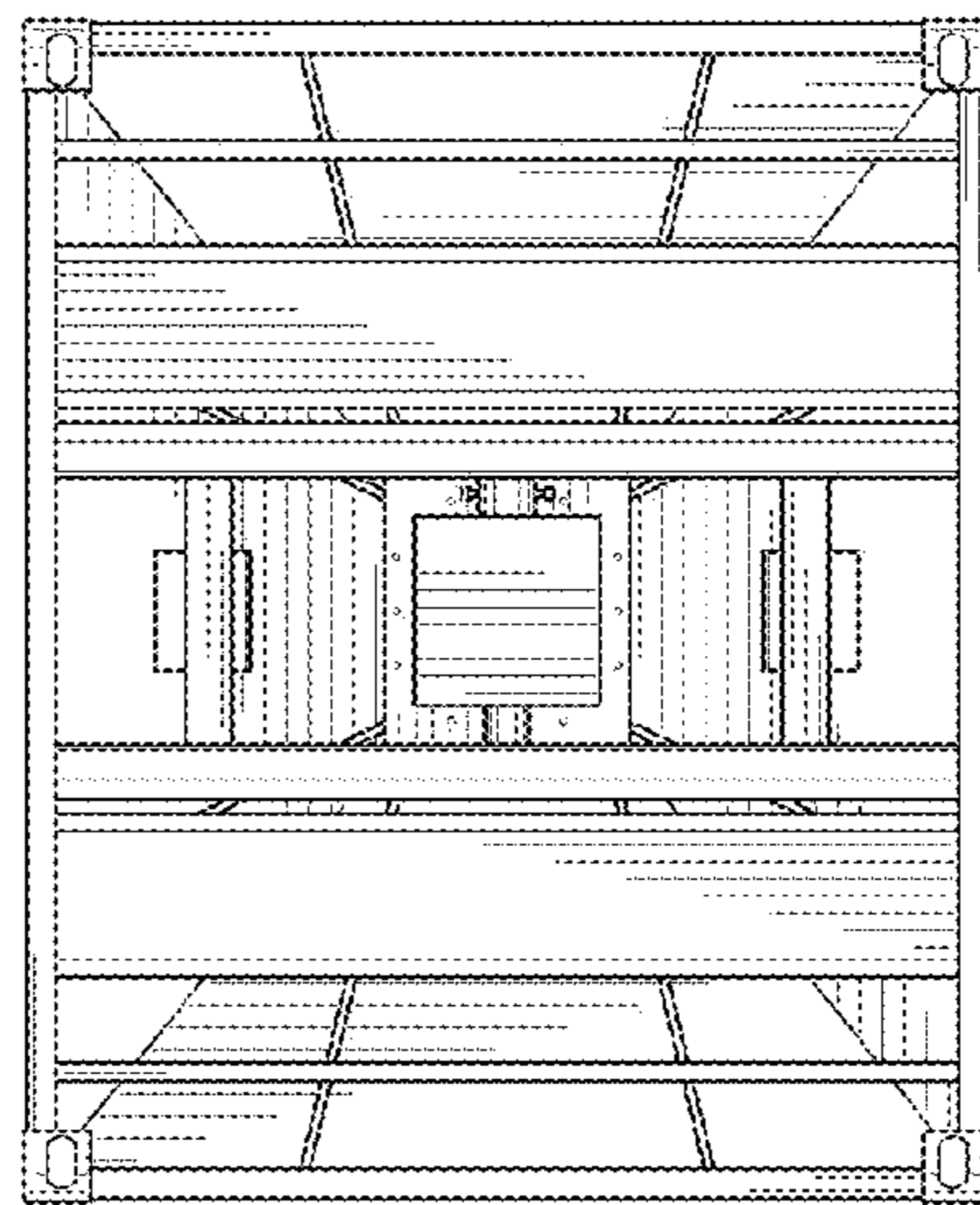


FIG. 7