



US00D688769S

(12) **United States Design Patent**  
**Lord**

(10) **Patent No.:** **US D688,769 S**

(45) **Date of Patent:** **\*\* \*Aug. 27, 2013**

(54) **PERSONAL SECURITY DEVICE**

D451,165 S \* 11/2001 Fleischhauer et al. .... D22/117  
D585,520 S \* 1/2009 Teig ..... D22/117  
D636,050 S \* 4/2011 Kaufman ..... D22/117

(75) Inventor: **Charles Scott Lord**, Scottsdale, AZ  
(US)

\* cited by examiner

(73) Assignee: **Guardian 8 Corporation**, Scottsdale,  
AZ (US)

*Primary Examiner* — Catheri Oliver-Garcia

(74) *Attorney, Agent, or Firm* — William R Bachand

(\* ) Notice: This patent is subject to a terminal dis-  
claimer.

(57) **CLAIM**

The ornamental design for a personal security device, as  
shown and described.

(\*\*) Term: **14 Years**

**DESCRIPTION**

(21) Appl. No.: **29/416,844**

FIG. 1 is a front perspective view of a personal security  
device, showing novel design;

(22) Filed: **Mar. 27, 2012**

FIG. 2 is a rear perspective view of the personal security  
device of FIG. 1;

(51) **LOC (9) Cl.** ..... **22-02**

FIG. 3 is a front elevation of the personal security device of  
FIG. 1;

(52) **U.S. Cl.**

USPC ..... **D22/117**

FIG. 4 is a rear elevation of the personal security device of  
FIG. 1;

(58) **Field of Classification Search**

USPC ..... D22/117-120; 222/78-79, 153.03,  
222/153.11, 402.1, 402.11, 504; 42/1.01,  
42/1.08, 1.09, 1.12; D21/333

FIG. 5 is a right side elevation of the personal security device  
of FIG. 1;

FIG. 6 is a left side elevation of the personal security device of  
FIG. 1;

See application file for complete search history.

FIG. 7 is a top plan of the personal security device of FIG. 1;  
and,

FIG. 8 is a bottom plan of the personal security device of FIG.  
1.

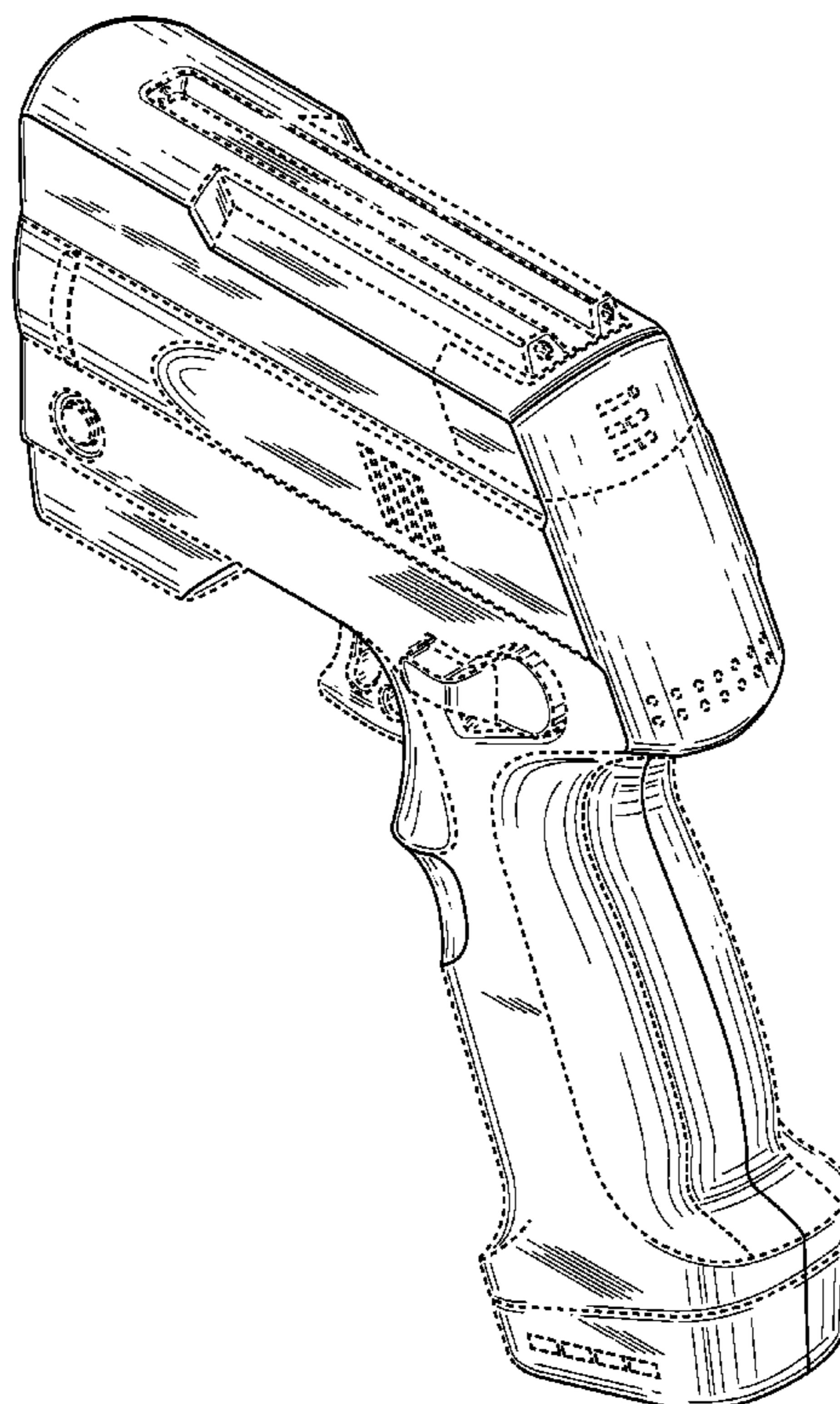
(56) **References Cited**

**U.S. PATENT DOCUMENTS**

D226,908 S \* 5/1973 Tadlock ..... D22/117  
4,843,336 A \* 6/1989 Kuo ..... 42/1.01  
D360,674 S \* 7/1995 McClean ..... D22/117  
D363,674 S \* 10/1995 Bonsall ..... D22/117

Features shown in broken lines form no part of the claimed  
design. The design is symmetrical about a vertical plane that  
bisects the left to right width of the design, facilitating ambi-  
dextrous comfort and use.

**1 Claim, 8 Drawing Sheets**



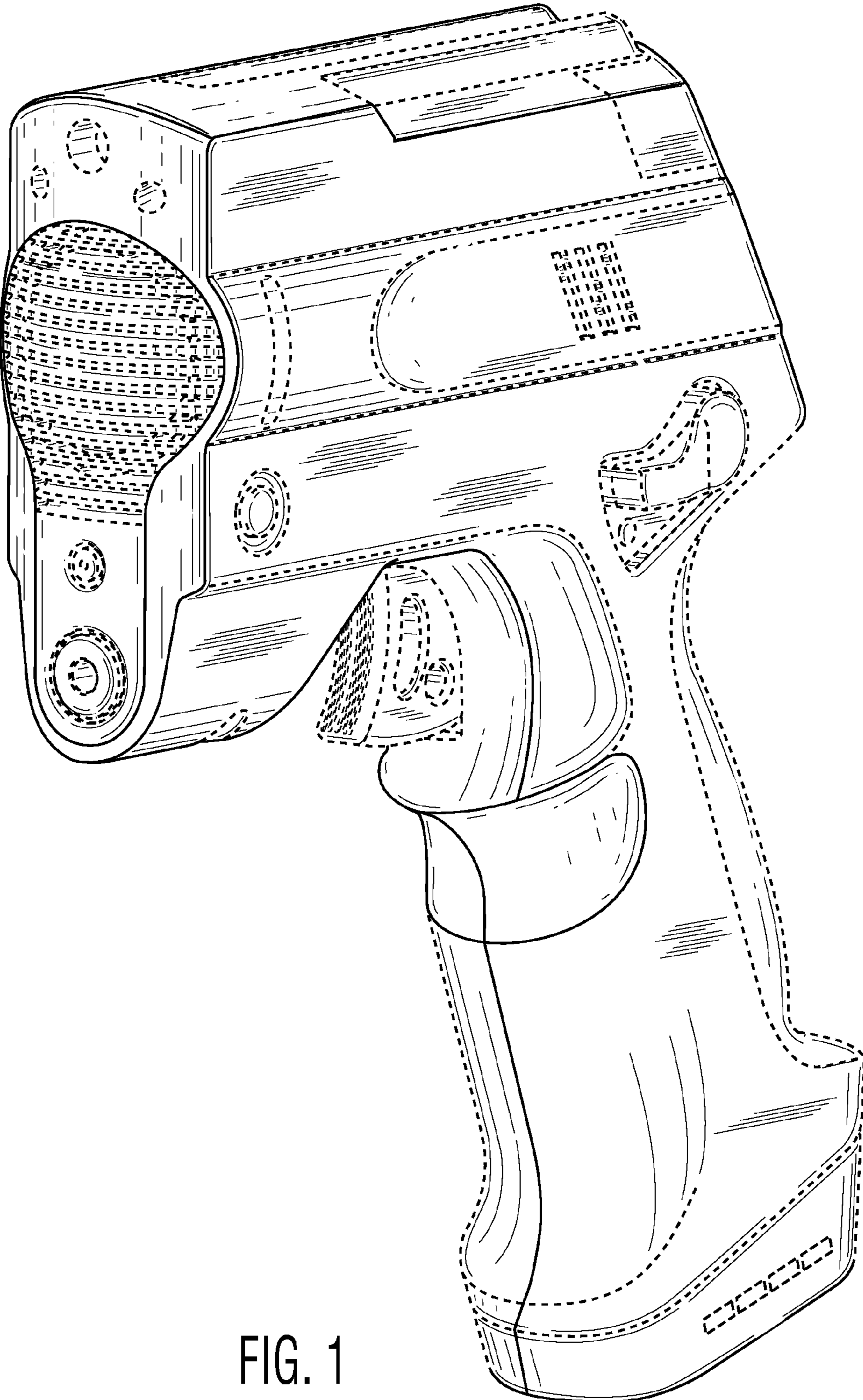


FIG. 1

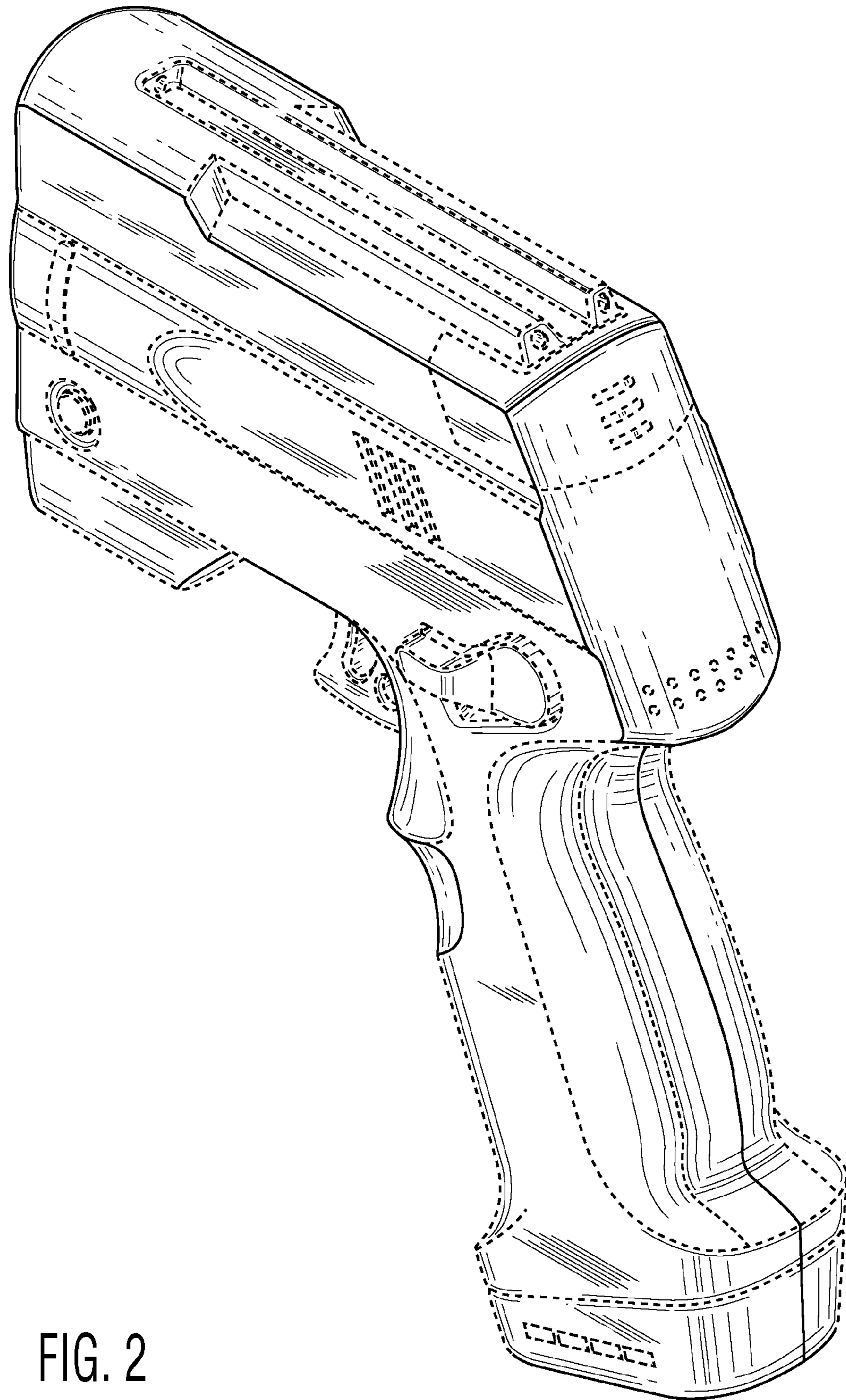


FIG. 2

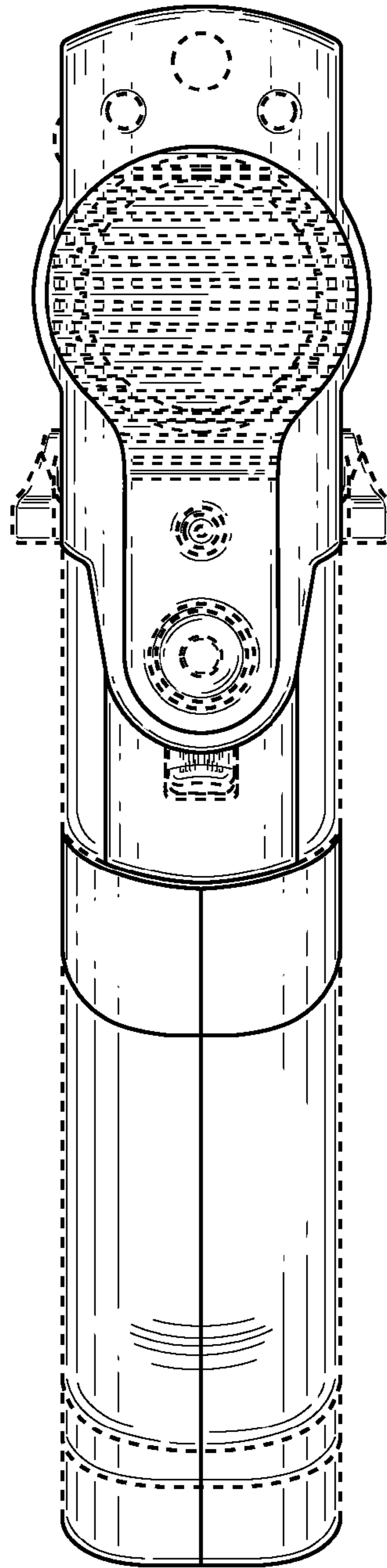


FIG. 3

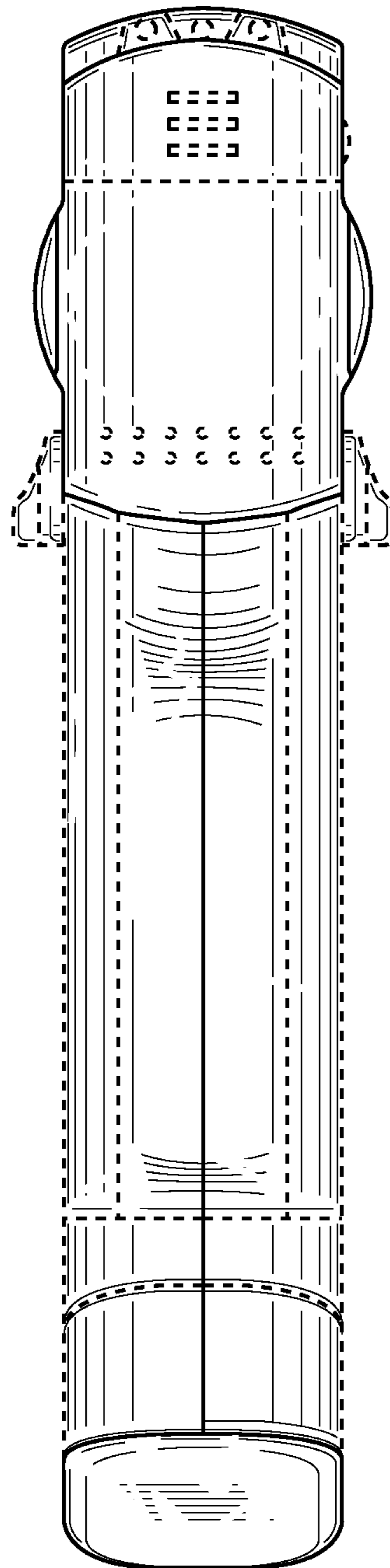


FIG. 4

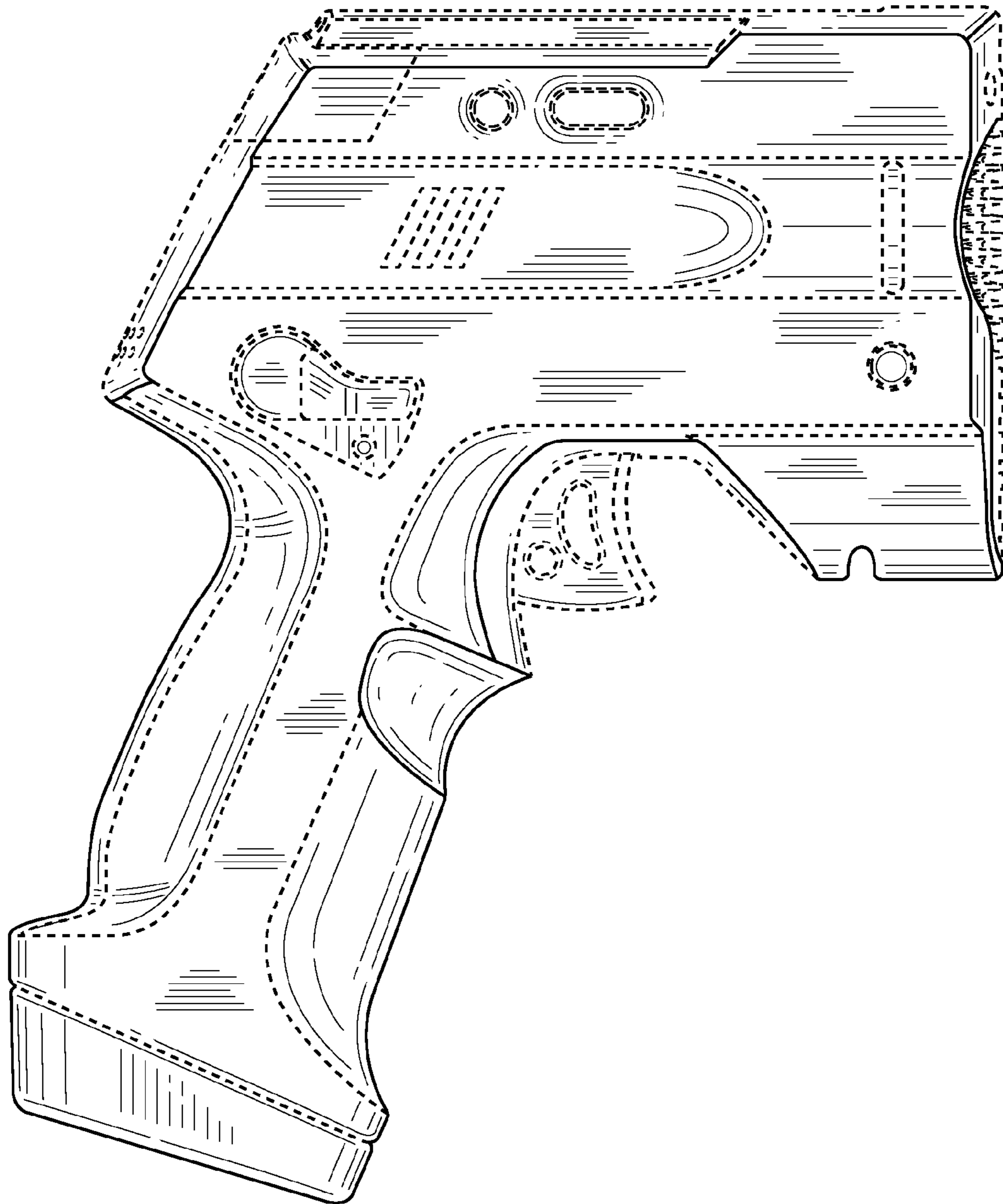


FIG. 5

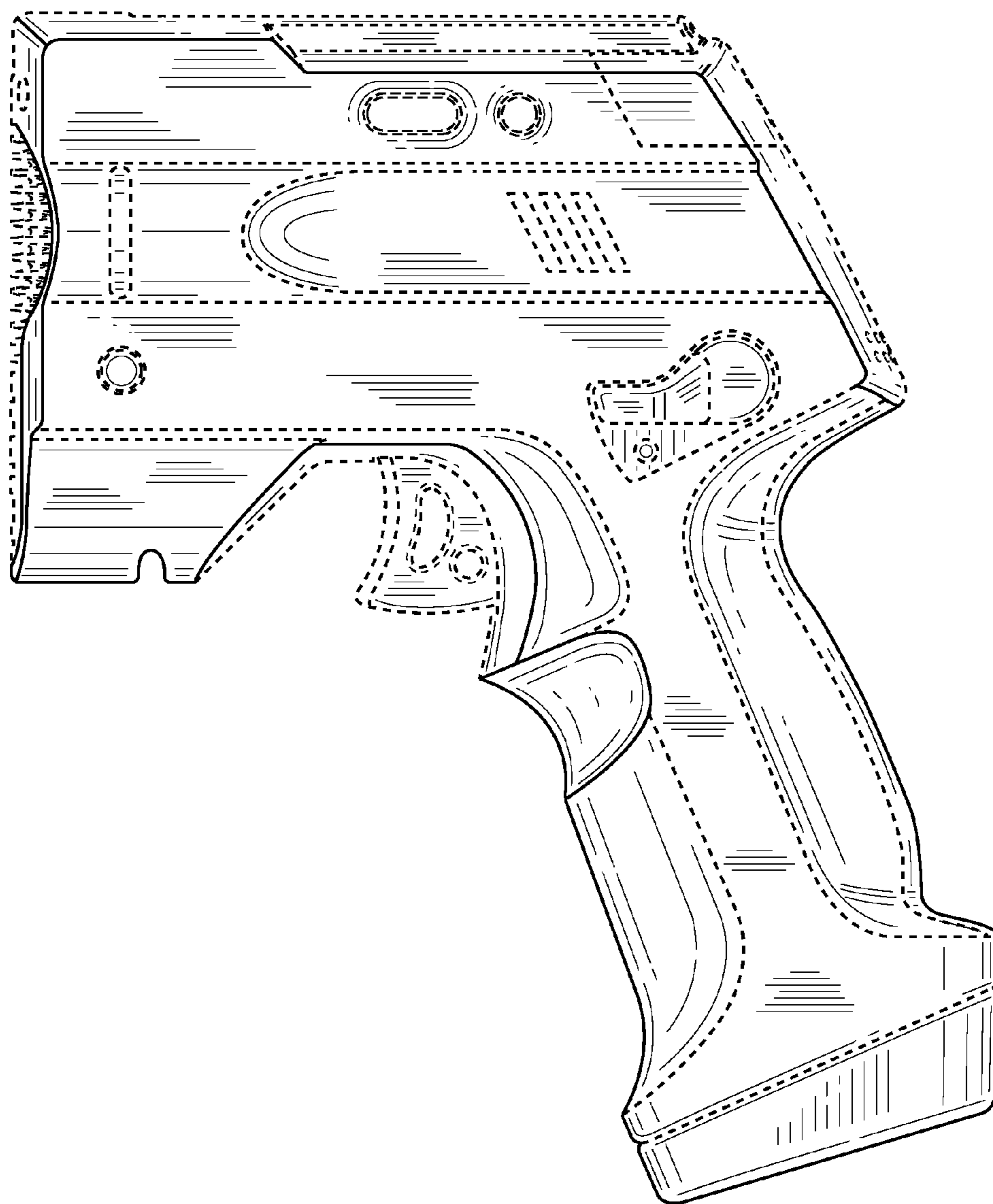


FIG. 6

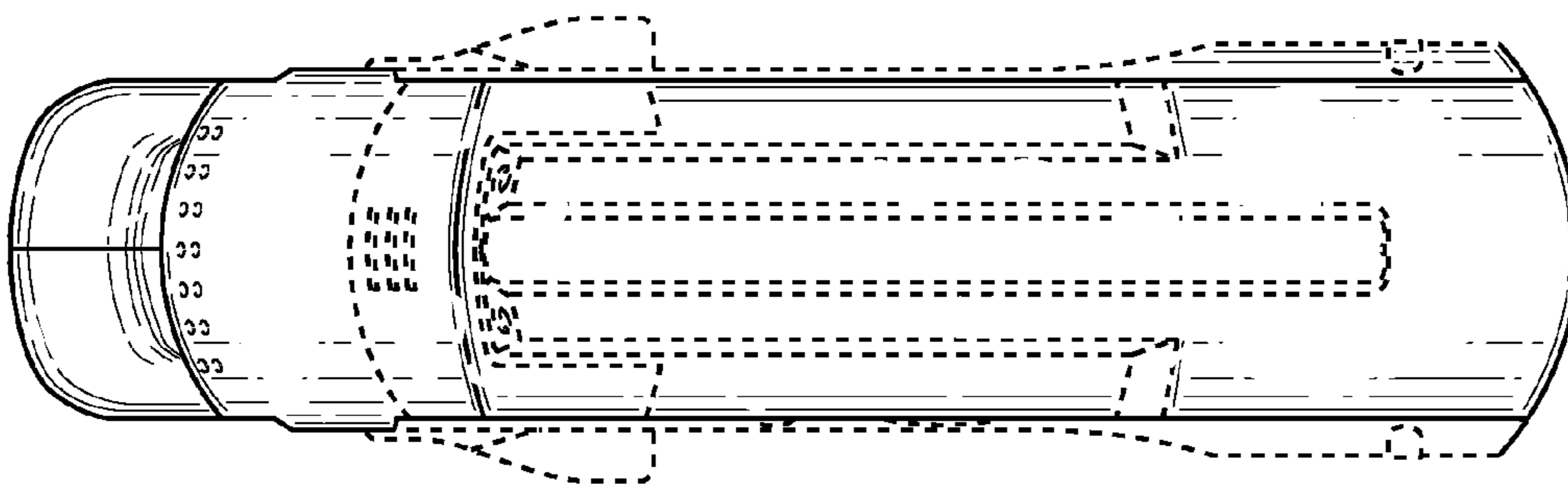


FIG. 7



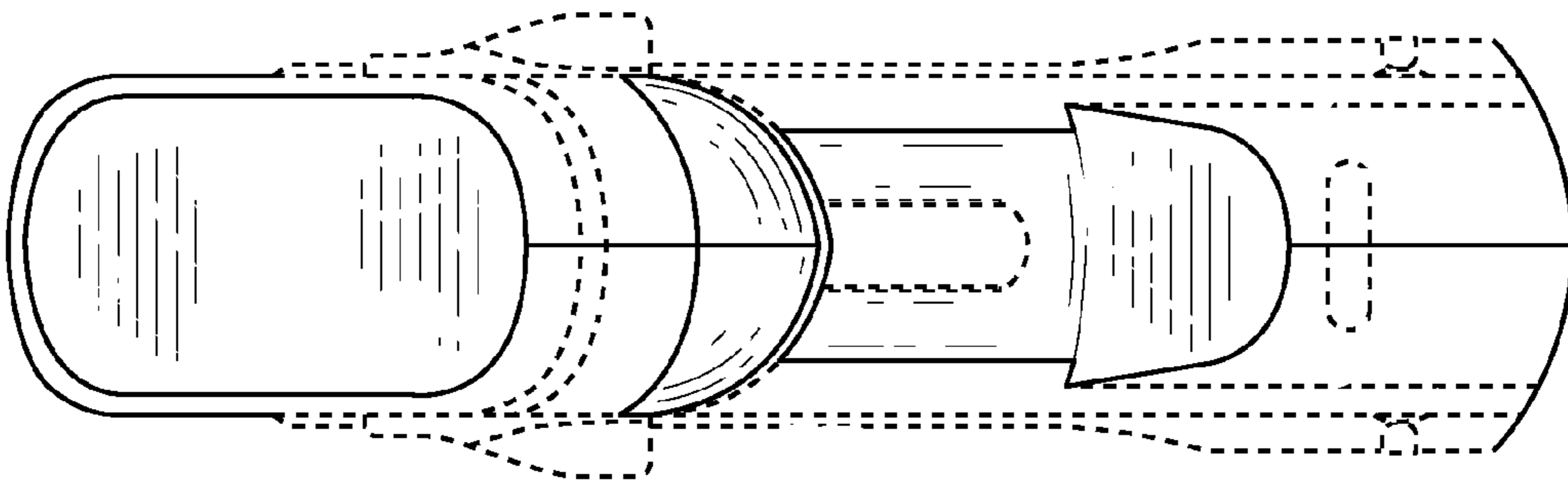


FIG. 8