



US00D688768S

(12) **United States Design Patent**
Fitzpatrick et al.

(10) **Patent No.:** **US D688,768 S**

(45) **Date of Patent:** **** Aug. 27, 2013**

(54) **RIFLE STOCK**

(75) Inventors: **Richard Fitzpatrick**, Longmont, CO (US); **Michael T. Mayberry**, Denver, CO (US); **Brad Bennett**, Lafayette, CO (US); **Sean William Flickinger**, Lakewood, CO (US); **Brian Nakayama**, Arvada, CO (US); **Thomas Ward, Jr.**, Thornton, CO (US)

(73) Assignee: **Magpul Industries Corporation**, Erie, CO (US)

(**) Term: **14 Years**

(21) Appl. No.: **29/423,118**

(22) Filed: **May 29, 2012**

(51) **LOC (9) Cl.** **22-01**

(52) **U.S. Cl.**
USPC **D22/108**

(58) **Field of Classification Search**
USPC D22/100, 101, 103, 104, 108;
D21/572-573; 42/51, 90, 71.01, 71.02,
42/73, 75.01, 75.02; 89/40.06, 37.04, 33.04
See application file for complete search history.

(56) **References Cited**

U.S. PATENT DOCUMENTS

D636,833	S	*	4/2011	Mayberry et al.	D22/108
D640,342	S	*	6/2011	Fitzpatrick et al.	D22/108
D661,366	S	*	6/2012	Zusman	D22/108
D676,921	S		2/2013	Fitzpatrick		
2007/0180984	A1		8/2007	Huther		

2010/0205846	A1	*	8/2010	Fitzpatrick et al.	42/73
2011/0173863	A1		7/2011	Ingram		
2011/0192067	A1		8/2011	Troy		
2011/0283586	A1		11/2011	Scallie		
2012/0174455	A1		7/2012	Edelman		
2012/0174456	A1		7/2012	Depierro		
2012/0174457	A1		7/2012	Edelman		
2012/0279384	A1		11/2012	Hochstrate		

* cited by examiner

Primary Examiner — Michael A Pratt

(74) *Attorney, Agent, or Firm* — Swanson & Bratschun, L.L.C.

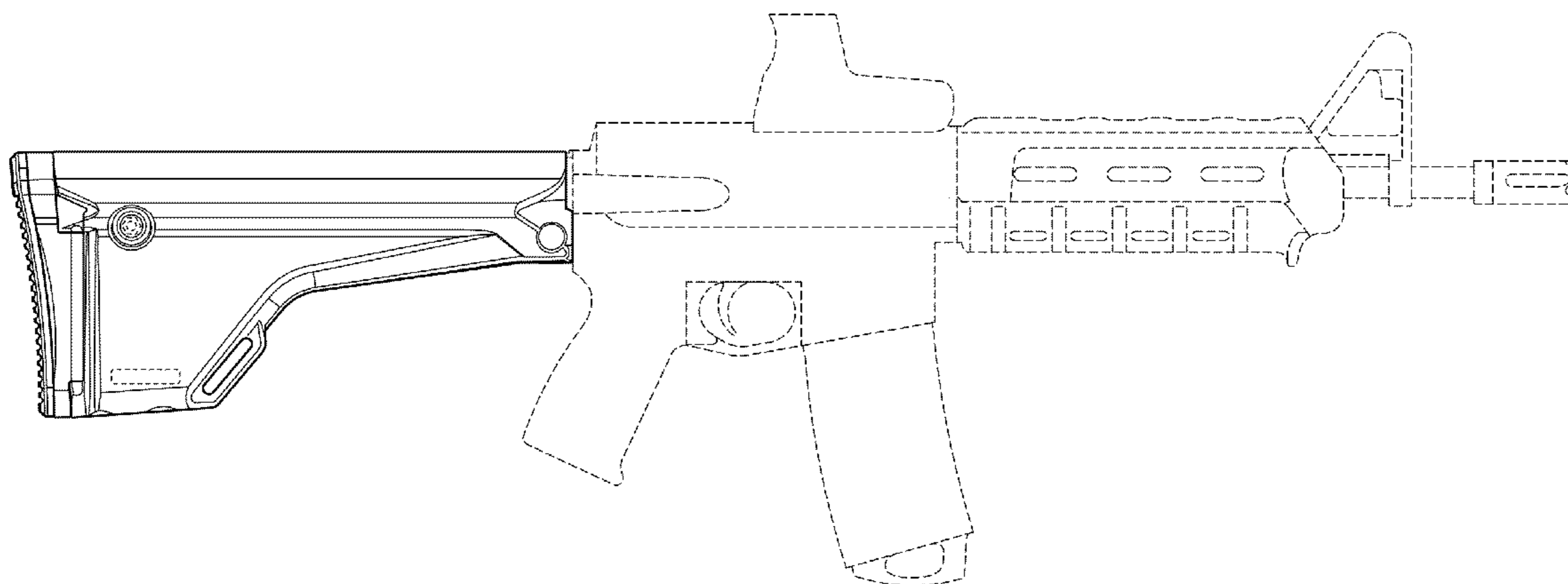
(57) **CLAIM**

The ornamental design for a rifle stock, as shown and described.

DESCRIPTION

FIG. 1 is a right side elevation view of a rifle stock attached to a firearm showing my new design;
FIG. 2 is a left, rear, bottom perspective view of the rifle stock of FIG. 1 with the firearm omitted;
FIG. 3 is a right side elevation view of the rifle stock of FIG. 1;
FIG. 4 is a left side elevation view of the rifle stock of FIG. 1;
FIG. 5 is a rear elevation view of the rifle stock of FIG. 1;
FIG. 6 is a front elevation view of the rifle stock of FIG. 1;
FIG. 7 is a top plan view of the rifle stock of FIG. 1; and,
FIG. 8 is a bottom plan view of the rifle stock of FIG. 1.
The broken lines showing portions of the design in all figures is included for the purpose of illustrating environment and unclaimed features and forms not part of the claimed design.

1 Claim, 6 Drawing Sheets



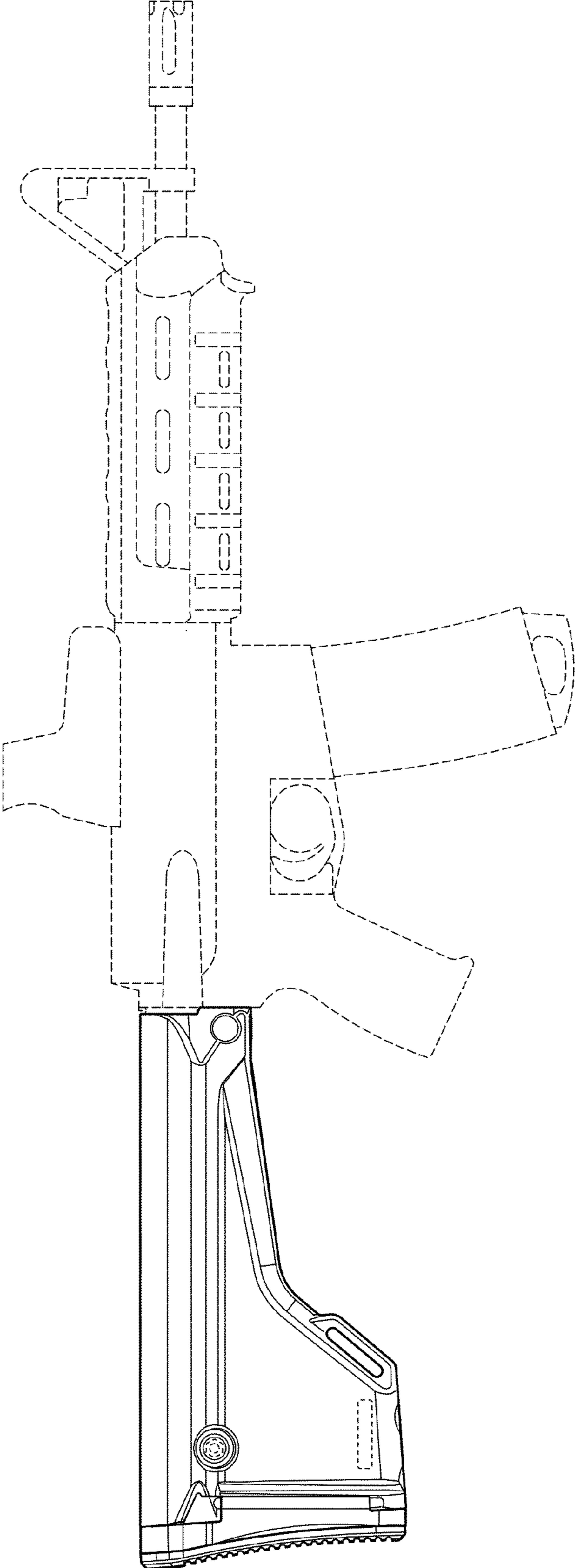


FIG. 1

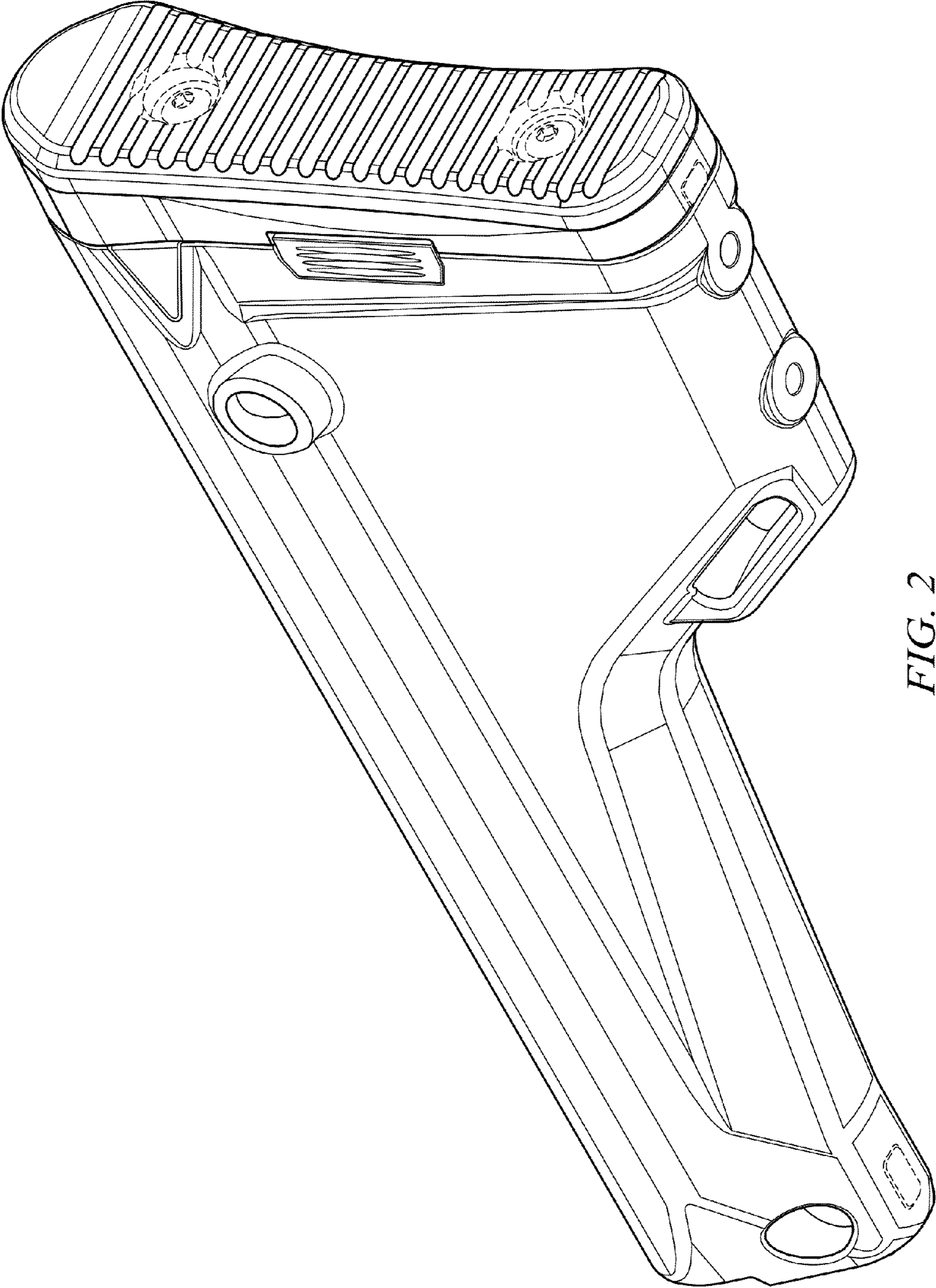


FIG. 2

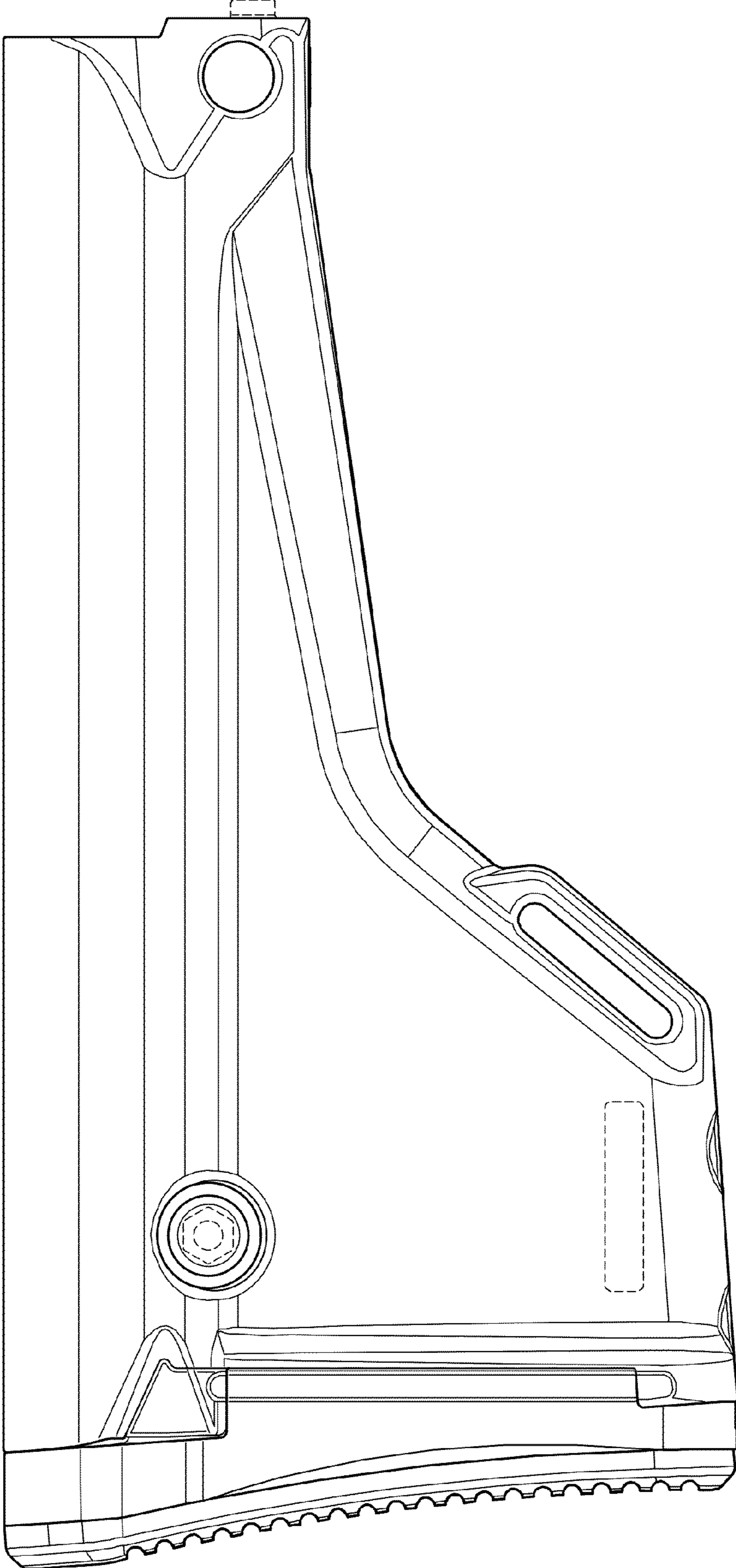


FIG. 3

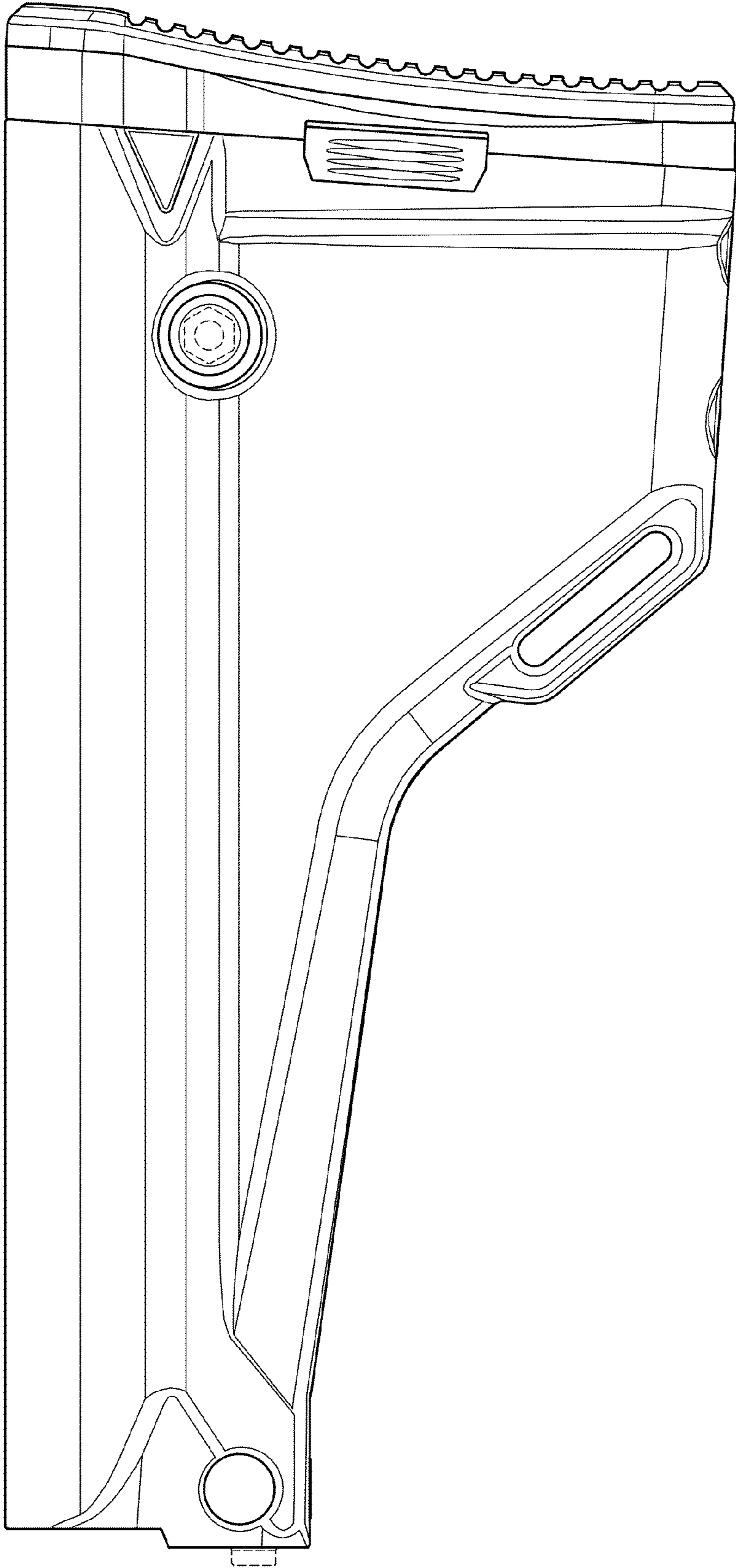


FIG. 4

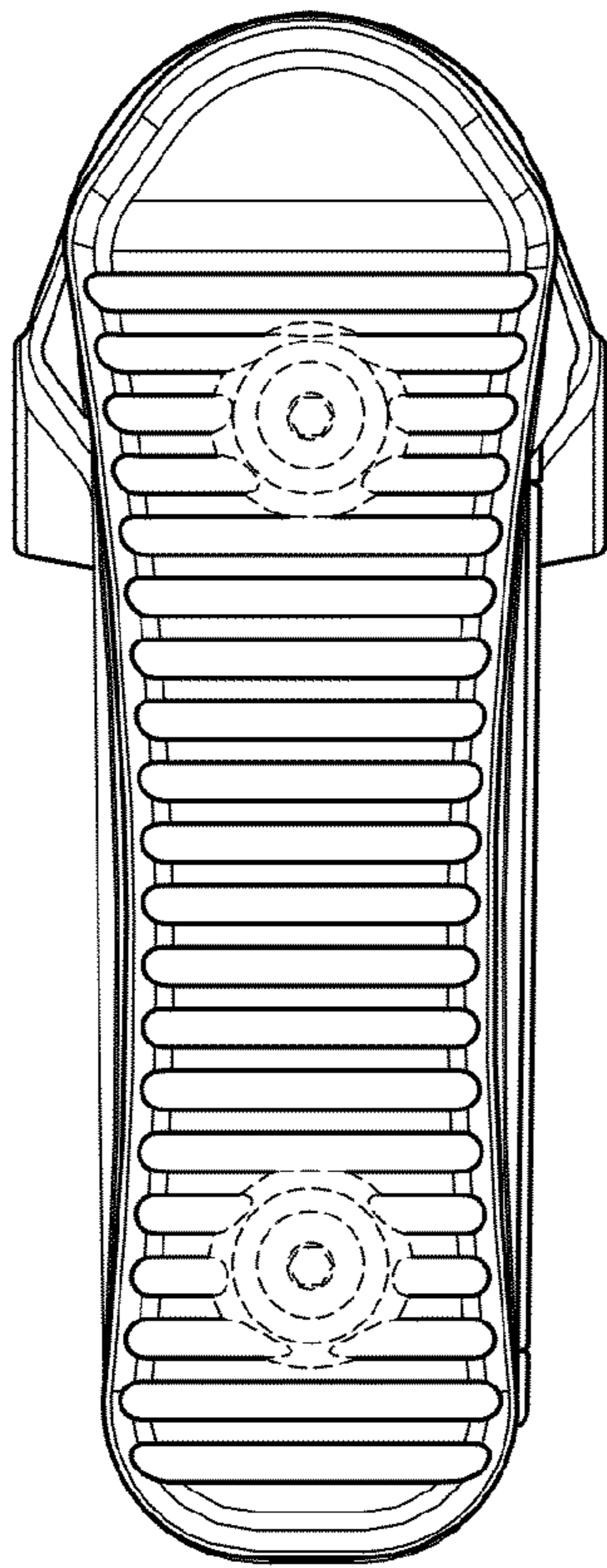


FIG. 5

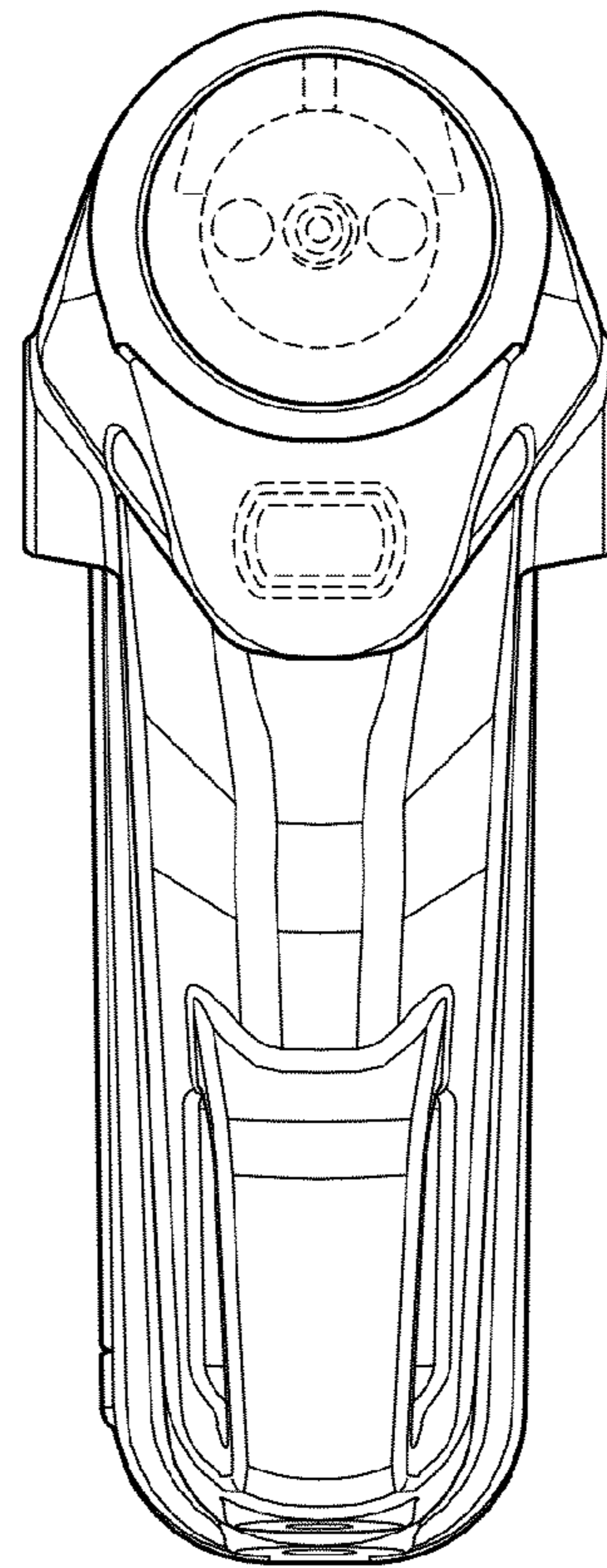


FIG. 6

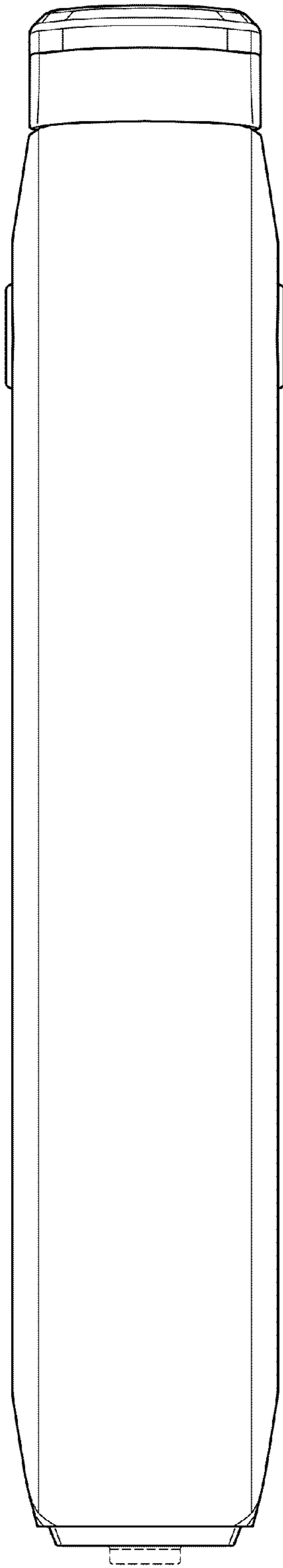


FIG. 7

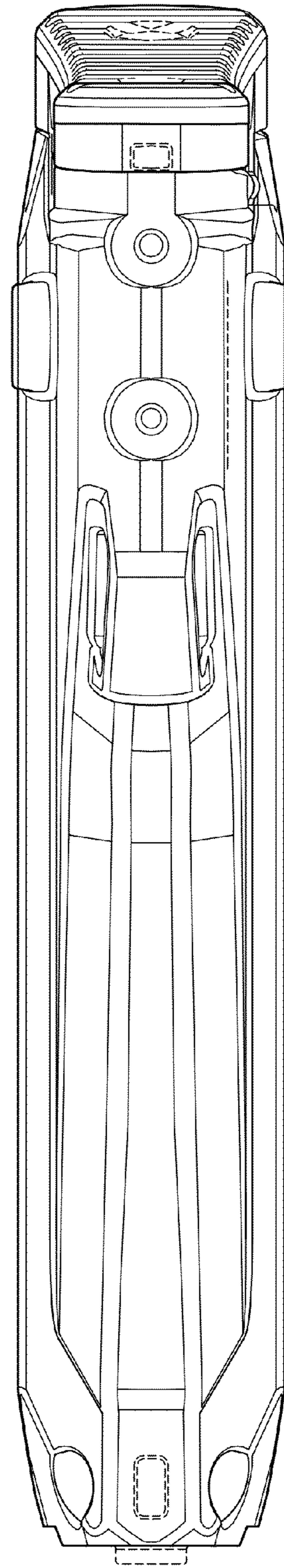


FIG. 8