



US00D688766S

(12) **United States Design Patent**
Fitzpatrick et al.

(10) **Patent No.:** **US D688,766 S**

(45) **Date of Patent:** **** *Aug. 27, 2013**

(54) **FIREARM MAGAZINE**

(75) Inventors: **Richard Fitzpatrick**, Longmont, CO (US); **Michael T. Mayberry**, Denver, CO (US); **Brian Nakayama**, Arvada, CO (US)

(73) Assignee: **Magpul Industries Corporation**, Erie, CO (US)

(*) Notice: This patent is subject to a terminal disclaimer.

(**) Term: **14 Years**

(21) Appl. No.: **29/410,910**

(22) Filed: **Jan. 13, 2012**

(51) **LOC (9) Cl.** **22-01**

(52) **U.S. Cl.**
USPC **D22/108**

(58) **Field of Classification Search**
USPC D22/100-116; D21/572, 573; 124/66, 124/67, 74; 42/51, 71.01, 75.01, 75.02, 90, 42/94; 362/110; 33/241; 89/40.06, 37.04, 89/33.04, 191.01
See application file for complete search history.

(56) **References Cited**

U.S. PATENT DOCUMENTS

4,139,959	A *	2/1979	Howard et al.	42/50
D362,044	S	9/1995	Snieszak		
D593,635	S *	6/2009	Fitzpatrick et al.	D22/108
D600,303	S *	9/2009	Fitzpatrick et al.	D22/108
D614,719	S *	4/2010	Fitzpatrick et al.	D22/108
D614,720	S *	4/2010	Fitzpatrick et al.	D22/108
D614,721	S *	4/2010	Fitzpatrick et al.	D22/108
D616,057	S *	5/2010	Fitzpatrick et al.	D22/108
D620,544	S *	7/2010	Fitzpatrick et al.	D22/108
D620,545	S *	7/2010	Fitzpatrick et al.	D22/108
7,798,045	B1 *	9/2010	Fitzpatrick et al.	89/1.4

(Continued)

OTHER PUBLICATIONS

Brownells_2012_AR15-M16_20-30-Round_Magazines
Brownells (2012) AR-15/M16 20- & 30-Round Magazines; Website [Online] Available Web Site: <http://www.brownells.com/.aspx/pid=21225/Product/AR-15-M16-20-30-Round-Magazines>; Last Update: unknown; Accessed on May 4, 2012.

(Continued)

Primary Examiner — Michael A Pratt

(74) *Attorney, Agent, or Firm* — Swanson & Bratschun, L.L.C.

(57) **CLAIM**

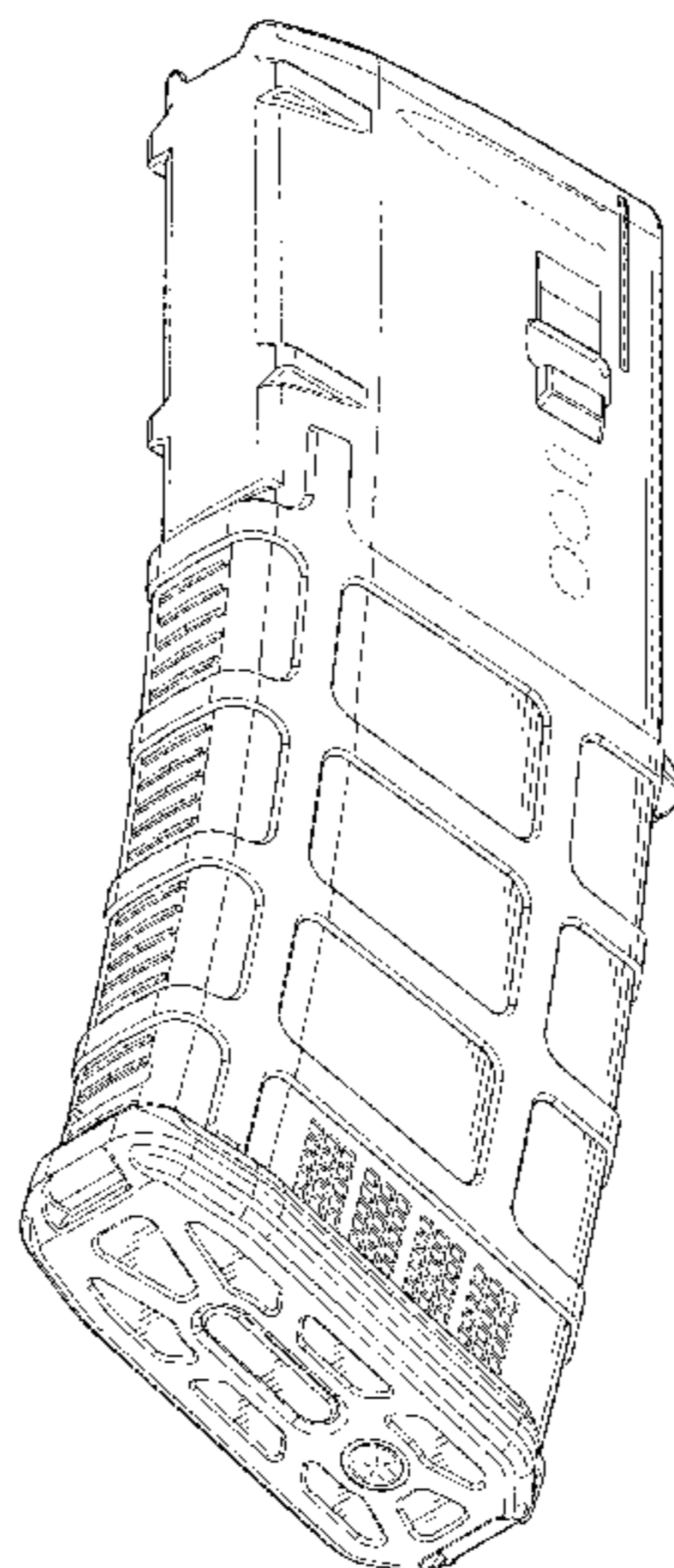
The ornamental design for a firearm magazine, as shown and described.

DESCRIPTION

FIG. 1 is a front, left, bottom perspective view of a firearm magazine showing our new design;
FIG. 2 is a right side elevation view of the firearm magazine of FIG. 1;
FIG. 3 is a left side elevation view of the firearm magazine of FIG. 1;
FIG. 4 is a top plan view of the firearm magazine of FIG. 1;
FIG. 5 is a bottom plan view of the firearm magazine of FIG. 1;
FIG. 6 is a front elevation view of the firearm magazine of FIG. 1;
FIG. 7 is a rear elevation view of the firearm magazine of FIG. 1;
FIG. 8 is a rear, right, bottom perspective view of the firearm magazine of FIG. 1; and,
FIG. 9 is a rear, right, bottom elevation view of alternative embodiment of a translucent body of the firearm magazine of FIG. 1.

The broken lines showing portions of the design in all figures is included for the purpose of illustrating environment and unclaimed features and forms not part of the claimed design.

1 Claim, 7 Drawing Sheets



U.S. PATENT DOCUMENTS

D632,752	S	2/2011	Fitzpatrick et al.	
D633,164	S *	2/2011	Fitzpatrick et al. D22/108
D633,589	S *	3/2011	Fitzpatrick et al. D22/108
D633,590	S	3/2011	Fitzpatrick	
7,958,660	B2	6/2011	Fitzpatrick et al.	
D642,647	S	8/2011	Fitzpatrick et al.	
8,061,255	B1	11/2011	Boberg	
2010/0251590	A1 *	10/2010	Fitzpatrick et al. 42/50
2012/0066950	A1	3/2012	Davidson	
2012/0317857	A1	12/2012	Fitzpatrick et al.	

OTHER PUBLICATIONS

Cheaperthandirt_com_2010_Mag_AR-15_223_Orlite
Cheaperthandirt.com (Apr. 20, 2010) Mag AR-15.223 Orlite 30 Round Israeli Shows Field Use; Website [Online] Available Web Site: <http://www.cheaperthandirt.com/MAG105-1.html>; Last Update: Unknown; Accessed on: Apr. 20, 2010.

HKParts_net_2010_SL8_20_Round_Single_Stack_Magazine
HK Parts.net (May 7, 2010) SL8 20 Round Single Stack Magazine; Website [Online] Available Web Site: <http://www.hkparts.net/shop/pc/SL8-20-Round-Single-Stack-Magazine-182p805.htm>; Last Update: Jul. 6, 2010; Accessed on May 4, 2012.

Lancer_Systems_2012_AWM_Magazine
Lancer Systems (2012) L5 AWM Magazine; Website [Online] Available Web Site: http://www.lancer-systems.com/L5_AWM.html; Last Update: Unknown; Accessed on: May 4, 2012.

Lancer_Systems_2010_L5_Translucent_Magazine_20-30_Round
Lancer Systems (Apr. 16, 2010) L5 Translucent Magazine 2- & 30 Round Magazines; Website [Online] Available Web Site: http://www.lancer-systems.com/L5_2010_30.html; Last Update: Nov. 14, 2010; Accessed on: May 4, 2012.

Magpul_2010_PMAG_Magazines
Magpul (Jan. 3, 2010) PMAG Magazines; Website [Online] Available Web Site: http://store.magpul.com/prod_detail_list/2 Last Update: Dec. 2, 2010 Accessed on: May 4, 2012.

Remtek_com_1999_Steyr_AUG_Magazine_Group
Remtek.com (Oct. 4, 1999) Steyr AUG Magazine Group; Website [Online] Available Web Site: <http://www.remtek.com/arms/steyr/aug/specs/magazine/magazine.htm> Last Update: Apr. 7, 2009; Accessed on: May 4, 2012.

ThermoldMagazines_com_2012_M-16AR-M15-30-Magazines
Thermoldmagazines.com (2012) M-16/AR-15/30-Magazine; Website [Online] Available Web Site: <http://www.thermoldmagazines.com/collections/magazines-accessories/products/m-16-ar-15-30-magazine>; Last Update: Unknown; Accessed on: May 4, 2012.

Brownells AR-15/M16 Tactical Magazine
Brownells (Apr. 20, 2010) AR-15/M16 Tactical Magazine; Website [Online] Available Web Site: http://www.brownells.com/.aspx/pid=24307/Product/AR_15_M16_TACTICAL_MAGAZINE; Last Update: Unknown; Accessed on: Apr. 20, 2010.

EMA_Tactical_CDMAG_Countdown_Magazine
EMA Tactical (Apr. 20, 2010) CDMAG Countdown Magazine; Website [Online]

Available Web Site: <http://www.ematactical.com/viewProduct.asp?ID=278&catID=8>; Last Update: Unknown; Accessed on: Apr. 20, 2010.

Foltz (Feb. 21, 2007) 5.56mm 30 Round Magazine Improvement Programs; PDF [Online] Available Web Site: <http://www.dtic.mil/ndia/2006smallarms/foltz.pdf> Last Update: Feb. 21, 2007; Accessed on: Apr. 20, 2010.

Gunbroker_com_2010_Eagle_International_223_Polymer_Magazine
Gunbroker.com (Apr. 20, 2010) Eagle International .223 Polymer Magazine 223; Website [Online] Available Web Site: <http://www.gunbroker.com/Auction/ViewItem.aspx?Item=164602069#PIC>; Last Update: Unknown; Accessed on: Apr. 20, 2010.

HKParts.net_2010_HK_G36_30_Round_Magazine
HKParts.net (Apr. 20, 2010) HK G36 30 Round Magazine; Website [Online] Available Web Site: <http://www.hkparts.net/shop/pc/Hk-G36-30-Round-Mag-Fits-G36-G36K-G36C-Converted-SL8-s-182p624.htm>; Last Update: Unknown; Accessed on: Apr. 20, 2010.

HKParts_net_2010_30_Round_HK_416_KCI_Steel_556_Magazine
HKParts.net (Apr. 20, 2010) 30 Round HK 416 KCI Steel .556 Magazine; Website [Online] Available Web Site: <http://www.hkparts.net/shop/pc/30-Round-HK-416-KCI-Steel-556-Magazine-64p982.htm>; Last Update: Unknown; Accessed on: Apr. 20, 2010.

Lancer_Systems_2010_L5_Translucent_Magazine
Lancer Systems (Apr. 20, 2010) L5 Translucent Magazine; Website [Online] Available Web Site: http://www.lancer-systems.com/L5_2010_30.html; Last Update: Unknown; Accessed on: Apr. 20, 2010.

Tangodown_2010_ARC-L_Magazine
TangoDown (Apr. 20, 2010) ARC-L Magazine; Website [Online] Available Web Site: http://tangodown.com/shop/product_info.php?products_id=126; Last Update: Unknown; Accessed on: Apr. 20, 2010.

ThermoldMagazines_com_2010_Magazines
Thermoldmagazines.com (Apr. 20, 2010) Magazines; Website [Online] Available Web Site: <http://www.thermoldmagazines.com/magazines.html>; Last Update: Unknown; Accessed on: Apr. 20, 2010.

Troyind_com_2010_Troy_BattleMag
Troyind.com (Apr. 20, 2010) Troy BattleMag; Website [Online] Available Web Site: http://store.troyind.com/Troy_BattleMag_p/smag-sin-00bt-00.htm; Last Update: Unknown; Accessed on: Apr. 20, 2010.

Design U.S. Appl. No. 29/354,001, filed Jan. 18, 2010, "Firearm Magazine".

Design U.S. Appl. No. 29/354,005, filed Jan. 18, 2010, "Large Capacity Firearm Magazine".

Design U.S. Appl. No. 29/354,007, filed Jan. 18, 2010, "Small Capacity Firearm Magazine".

Design U.S. Appl. No. 29/354,008, filed Jan. 18, 2010, "Medium Capacity Firearm Magazine".

* cited by examiner

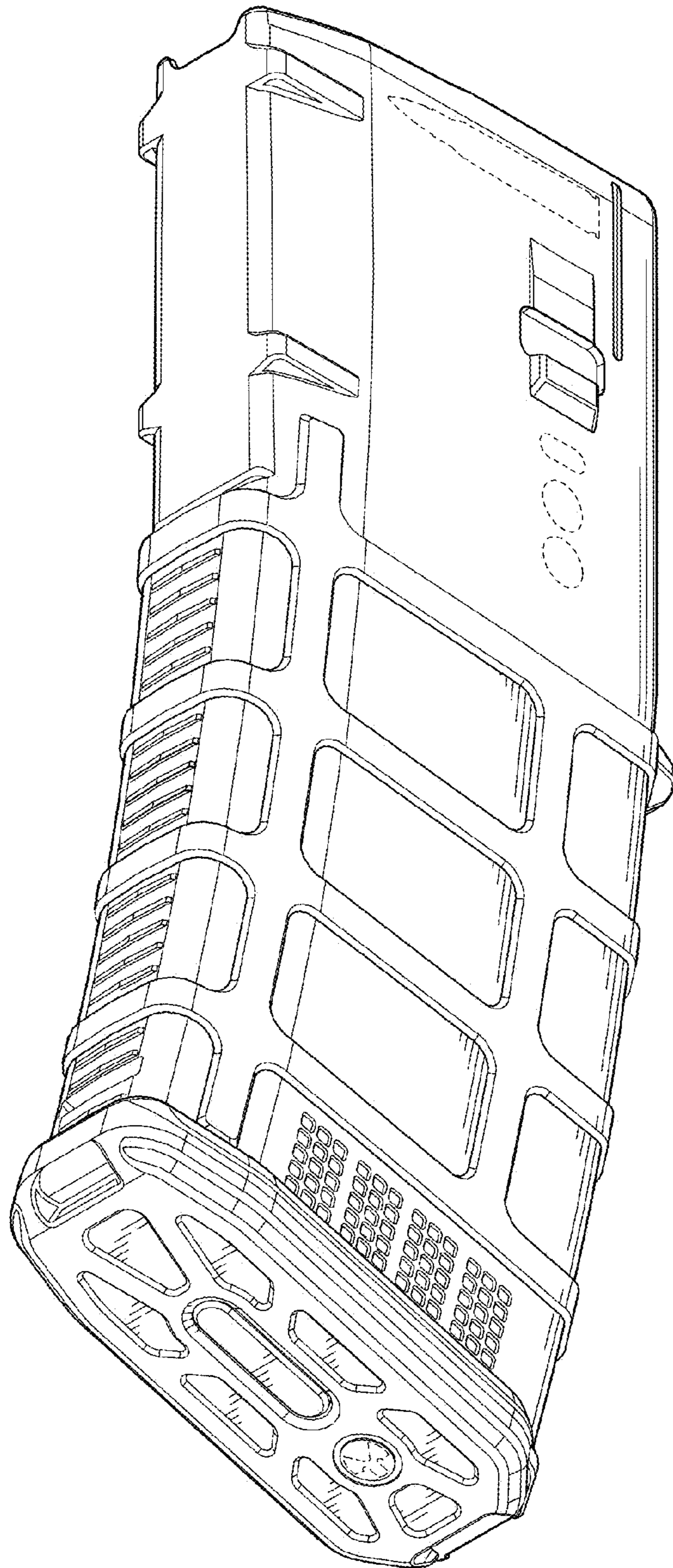


FIG. 1

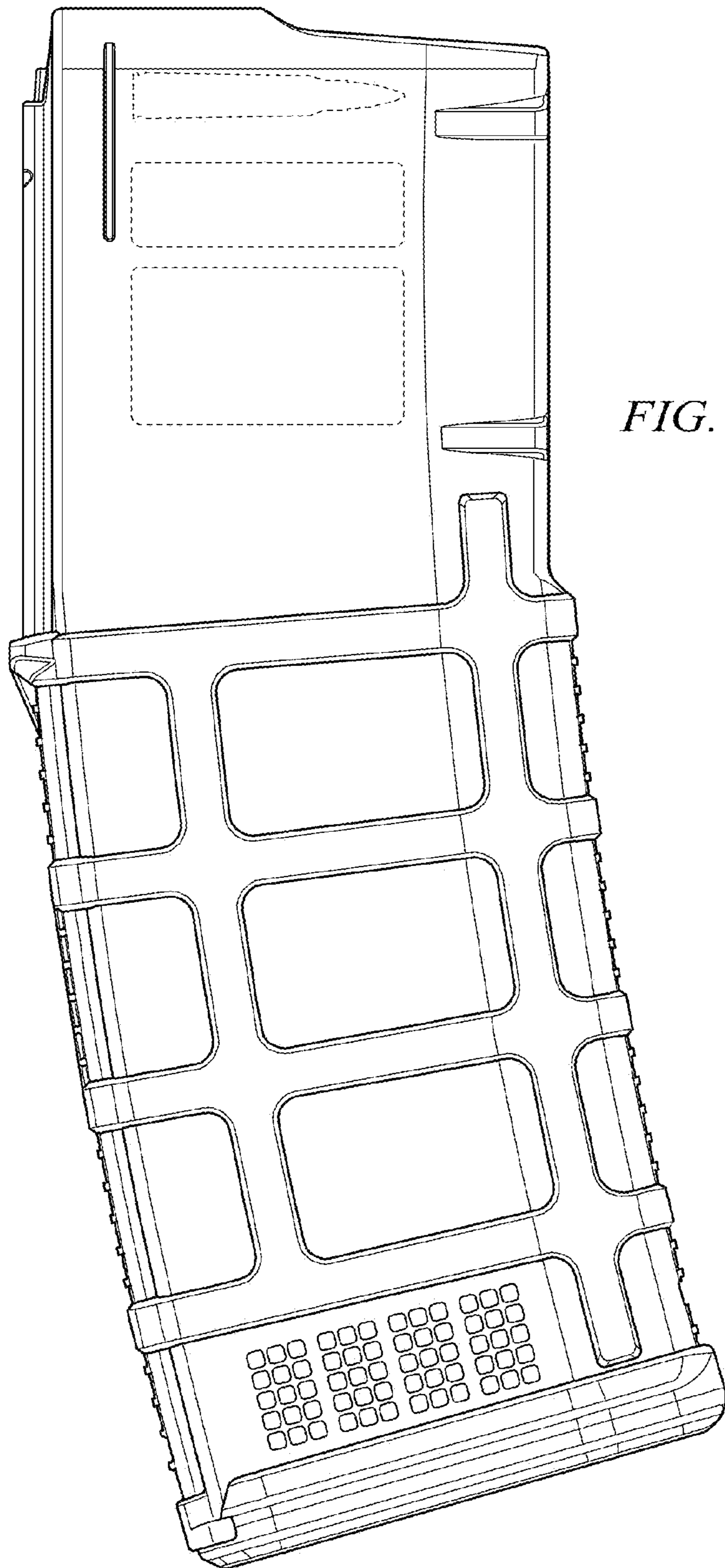
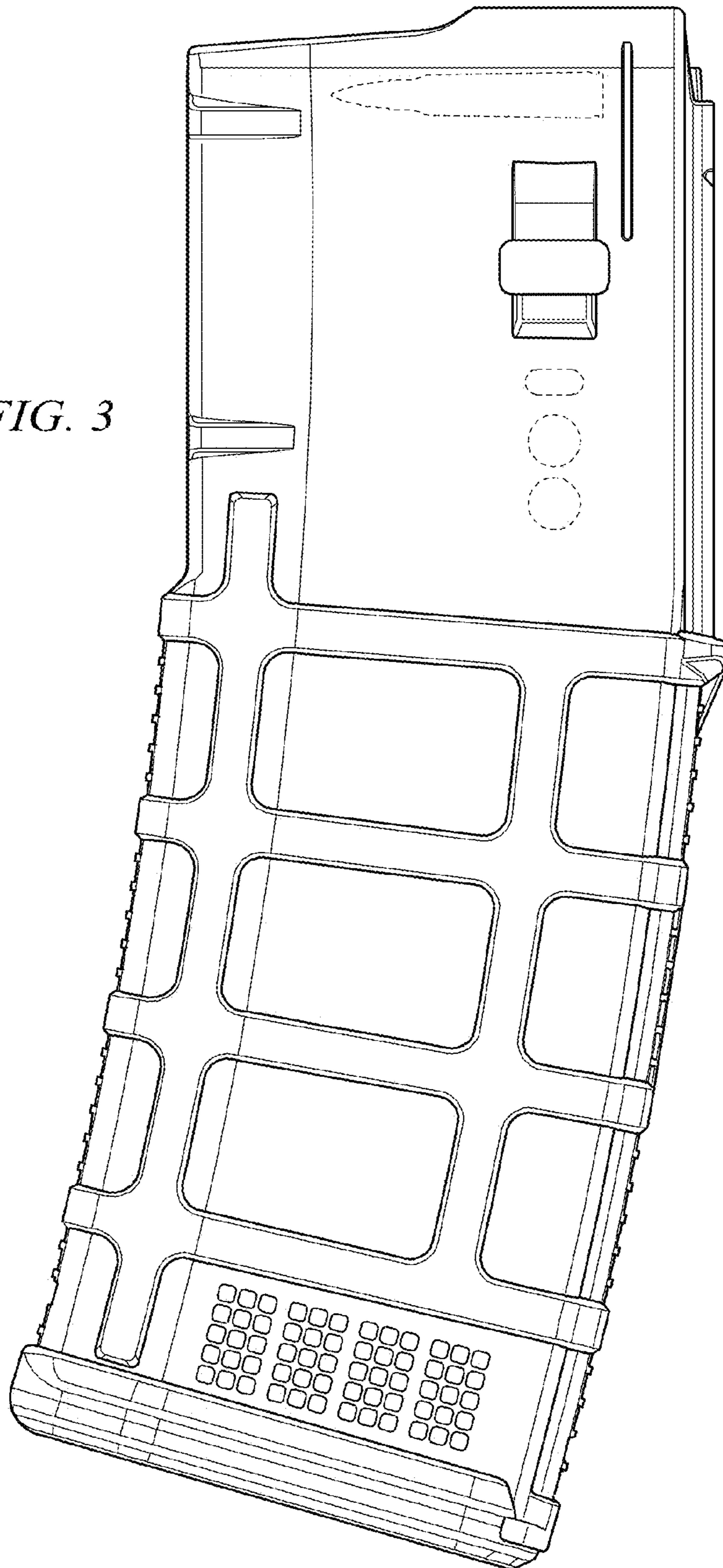


FIG. 2

FIG. 3



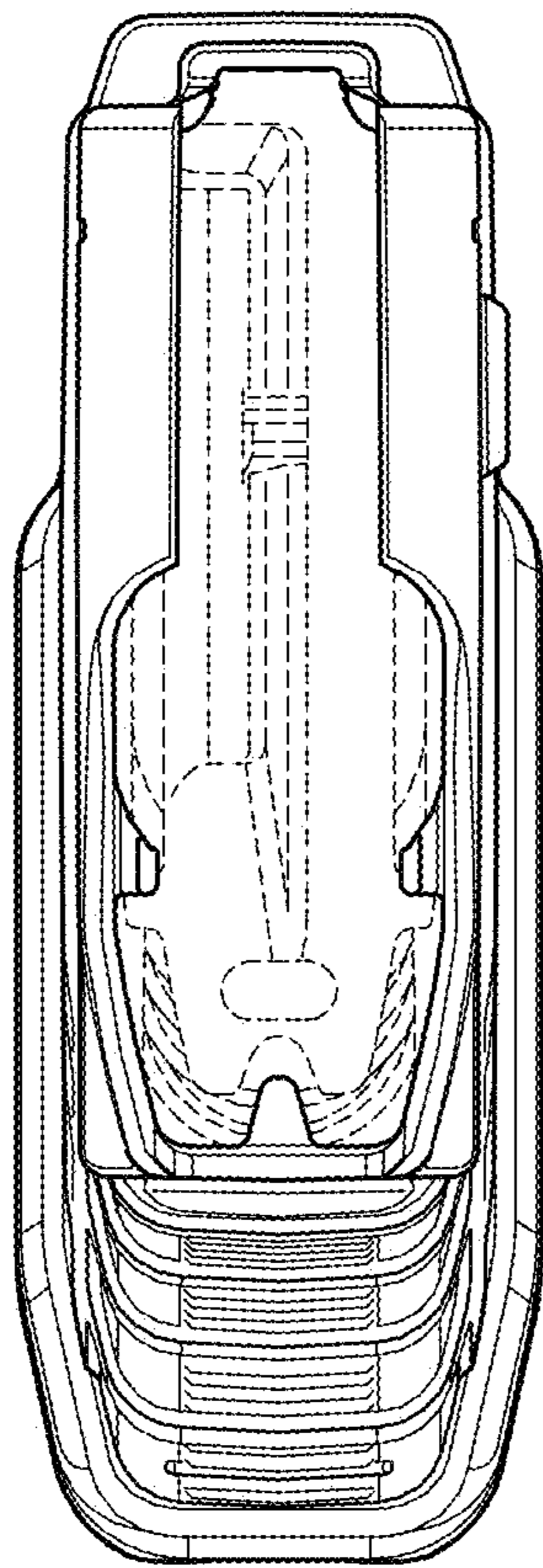


FIG. 4

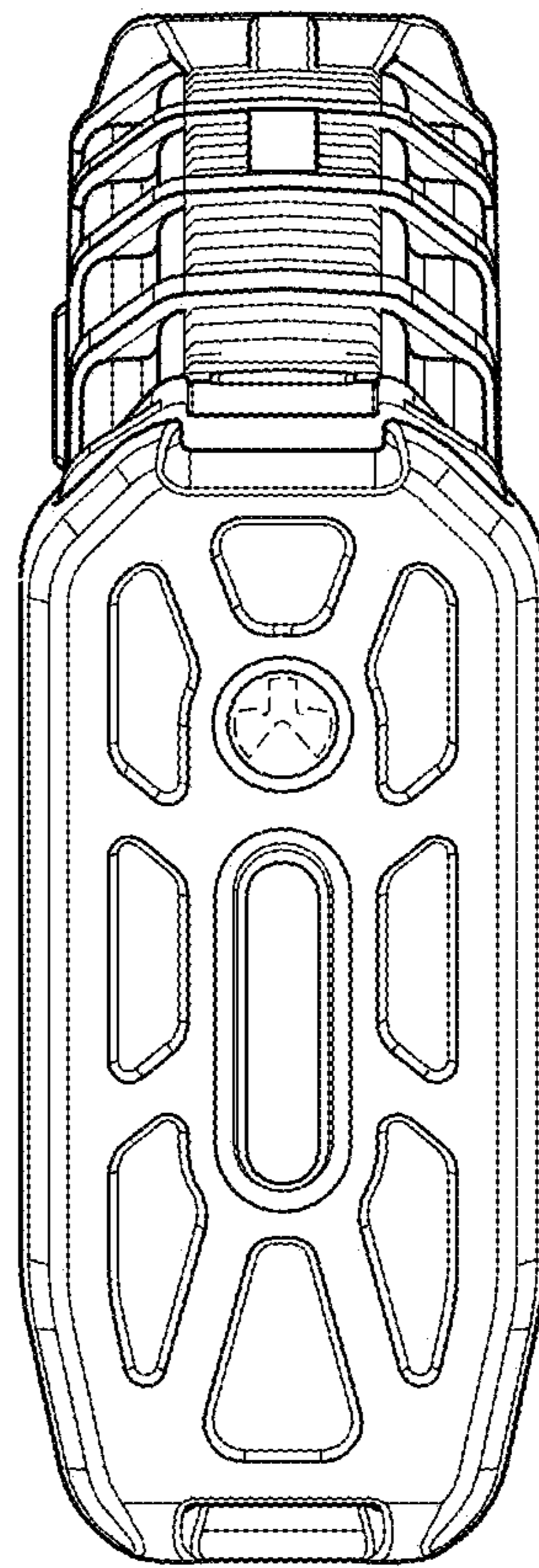


FIG. 5

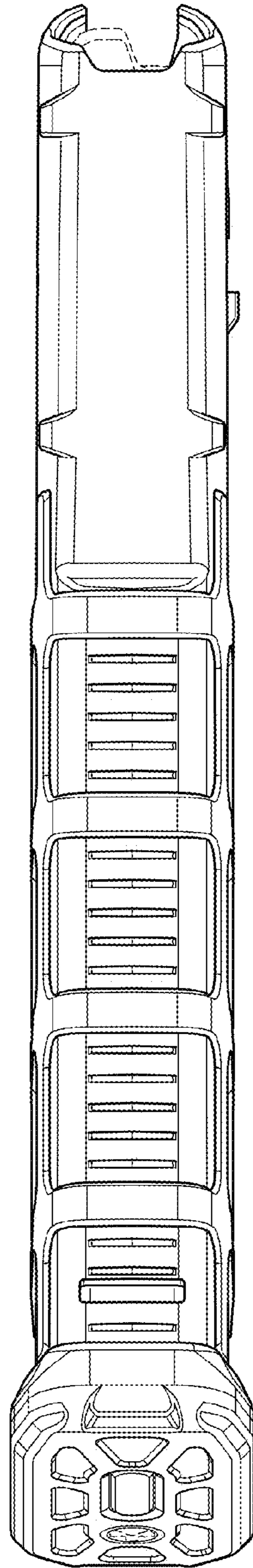


FIG. 6

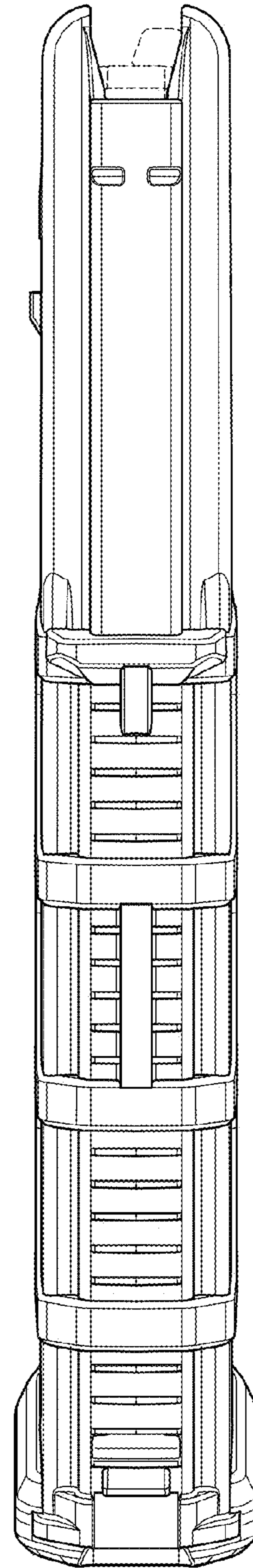


FIG. 7

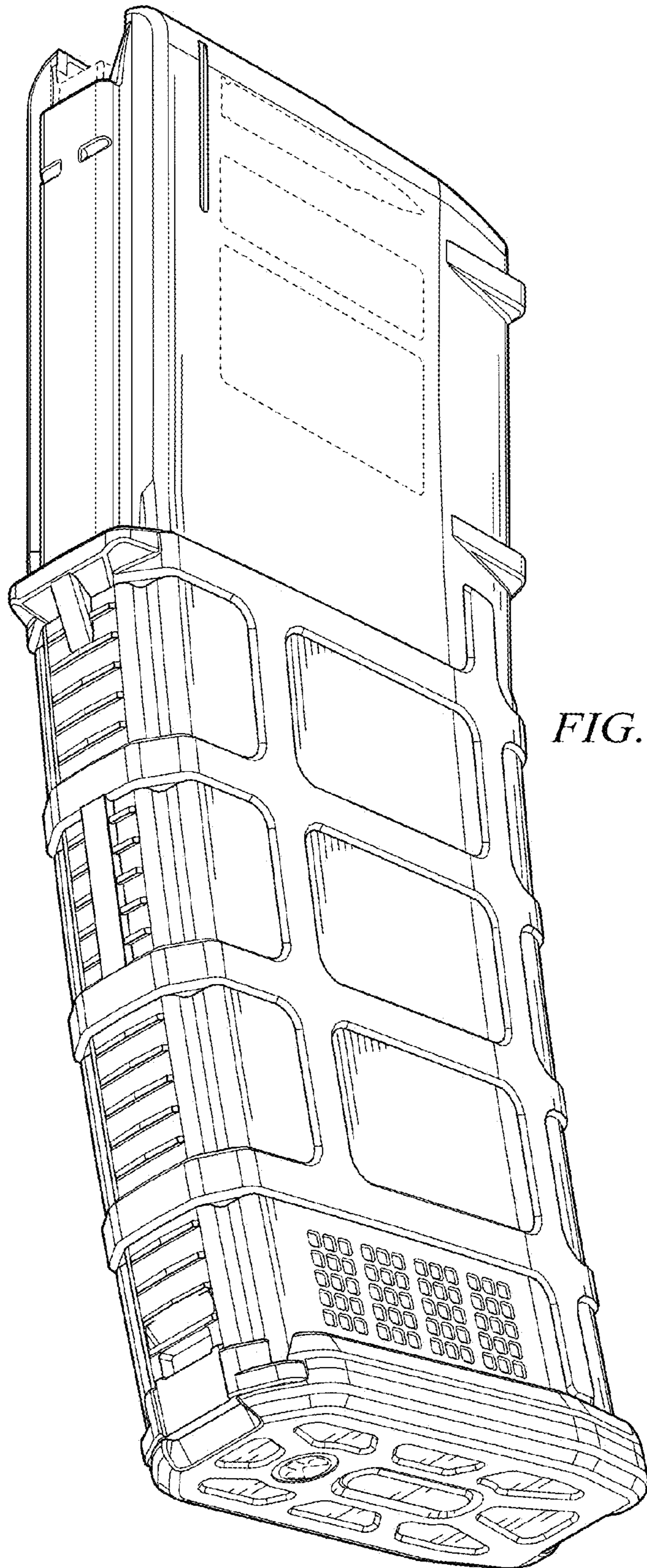


FIG. 8

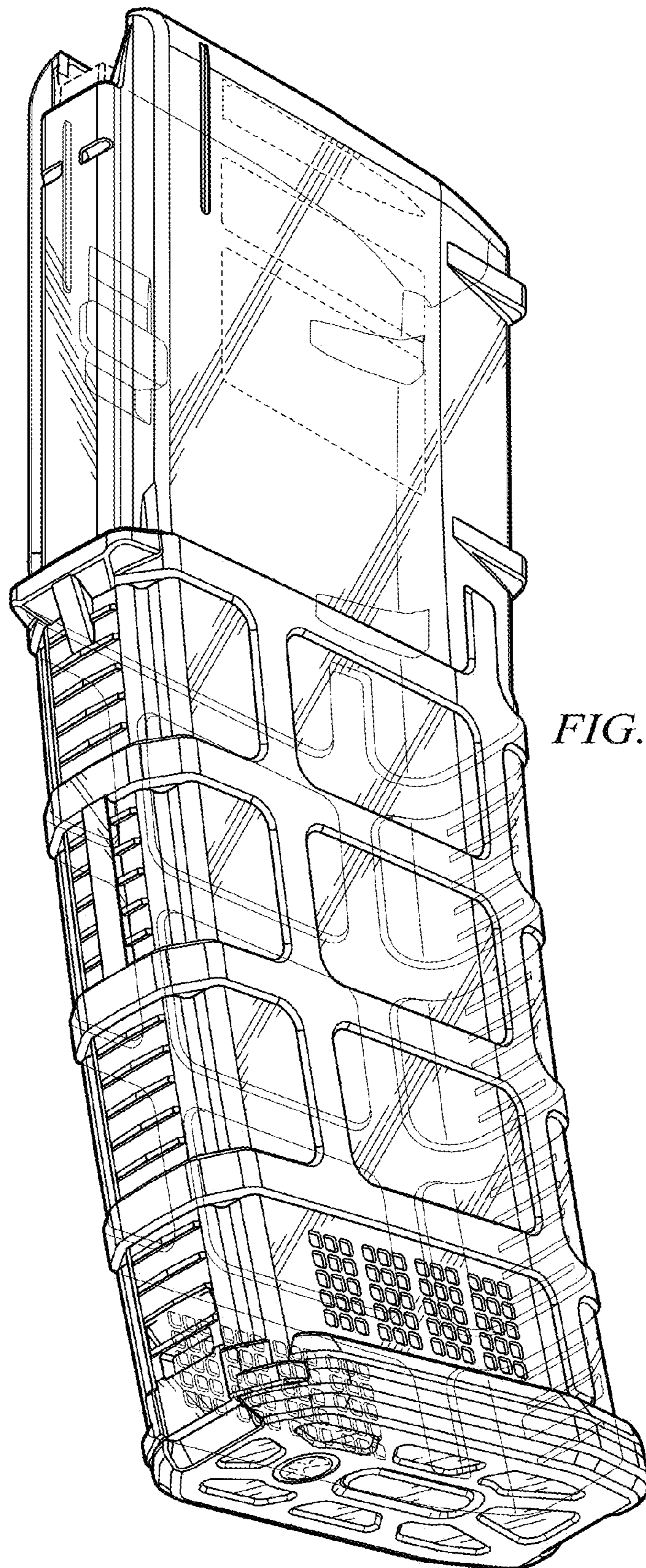


FIG. 9