



US00D688765S

(12) **United States Design Patent**
Kelly

(10) **Patent No.:** **US D688,765 S**

(45) **Date of Patent:** **** Aug. 27, 2013**

(54) **NYLON SLING ADJUSTING DEVICE**

(76) **Inventor:** **Travis Kelly**, Hominy, OK (US)

(**) **Term:** **14 Years**

(21) **Appl. No.:** **29/406,659**

(22) **Filed:** **Nov. 17, 2011**

(51) **LOC (9) Cl.** **22-01**

(52) **U.S. Cl.**
USPC **D22/108**

(58) **Field of Classification Search**
USPC D22/108; D8/356, 382-383;
D29/101.1-101.2; 224/150; D3/214-215,
D3/221, 262, 327-328; 24/164-174, 163 R,
24/706, 265 R, 265 CD, 69 CT, 176, 70 ST,
24/373; D11/218

See application file for complete search history.

(56) **References Cited**

U.S. PATENT DOCUMENTS

19,490	A *	3/1858	Cook	24/23 R
228,223	A *	6/1880	Sevey	24/23 B
297,721	A *	4/1884	Rust	24/21
1,209,119	A *	12/1916	Childress	24/23 B
1,301,102	A *	4/1919	Cary	24/23 W
3,206,816	A *	9/1965	Vilcins et al.	24/200

D313,204	S *	12/1990	Bodt	D11/218
D313,343	S *	1/1991	Sachs	D8/383
D389,779	S *	1/1998	Poynter	D11/218
D671,447	S *	11/2012	Nerison, Sr.	D11/218
8,308,140	B2 *	11/2012	Boukal et al.	256/10
D673,443	S *	1/2013	Elrod	D8/356
2002/0002761	A1 *	1/2002	Novak	24/312

* cited by examiner

Primary Examiner — Michael A Pratt

(74) *Attorney, Agent, or Firm* — Head, Johnson & Kachigian, P.C.

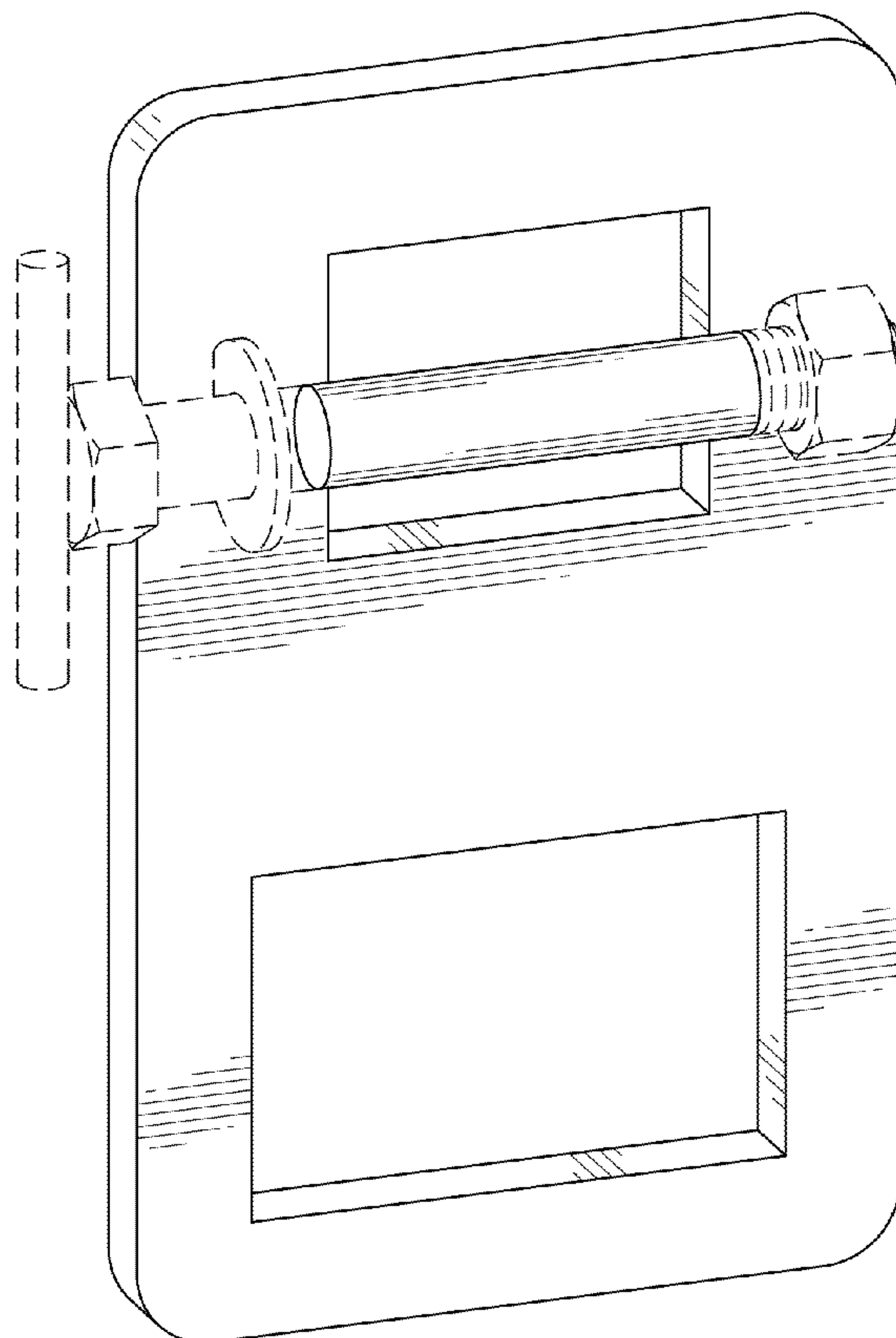
(57) **CLAIM**

The ornamental design for a nylon sling adjusting device, as shown and described.

DESCRIPTION

FIG. 1 is a top perspective view of the nylon sling adjusting device of the claimed invention; FIG. 2 is a front view thereof; FIG. 3 is a bottom view thereof; FIG. 4 is a side view thereof; FIG. 5 is a rear view thereof; and, FIG. 6 is a side view thereof. The elements shown by broken lines are for illustration purposes only and form no part of the claimed design.

1 Claim, 3 Drawing Sheets



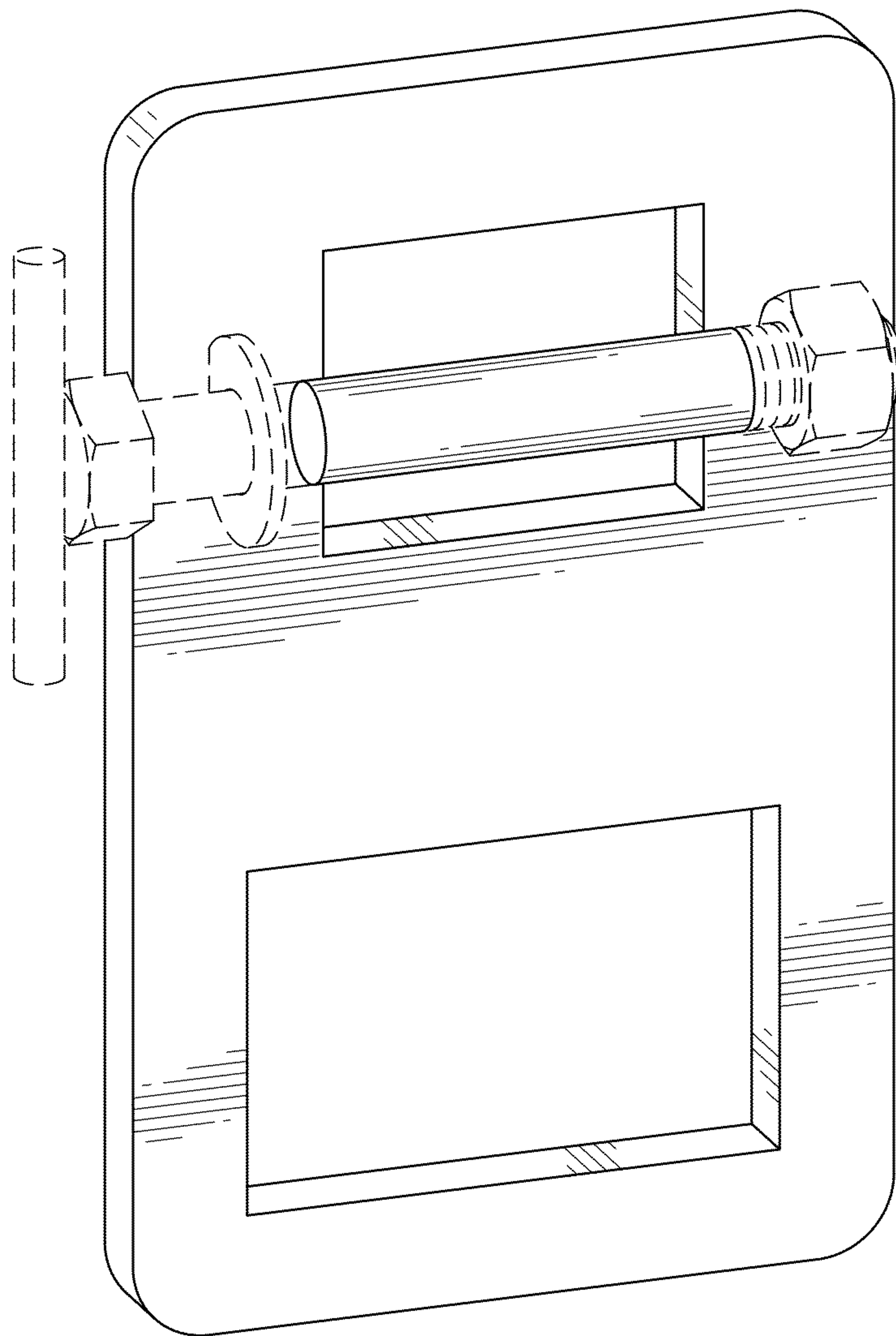


FIG. 1

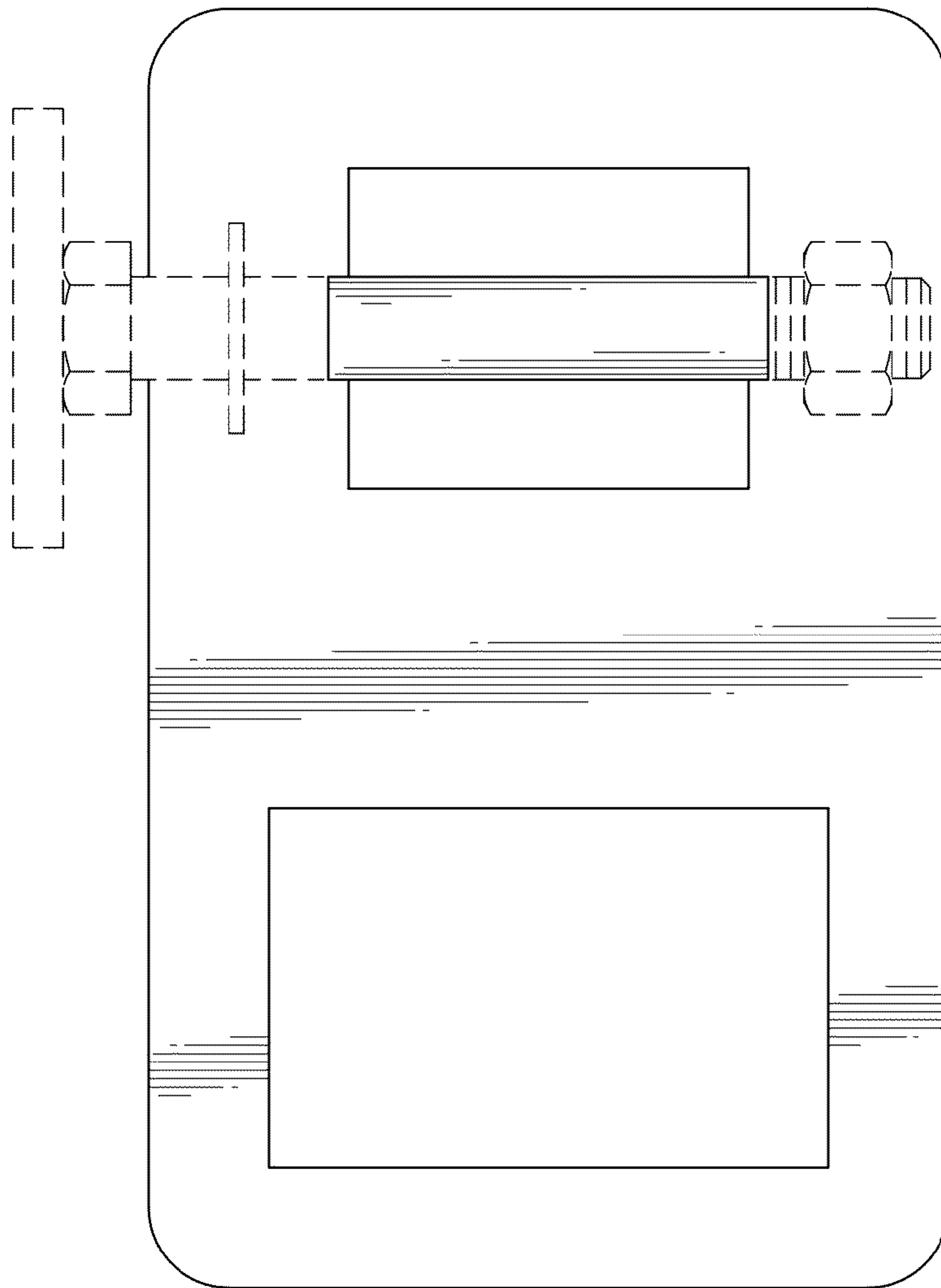


FIG. 2

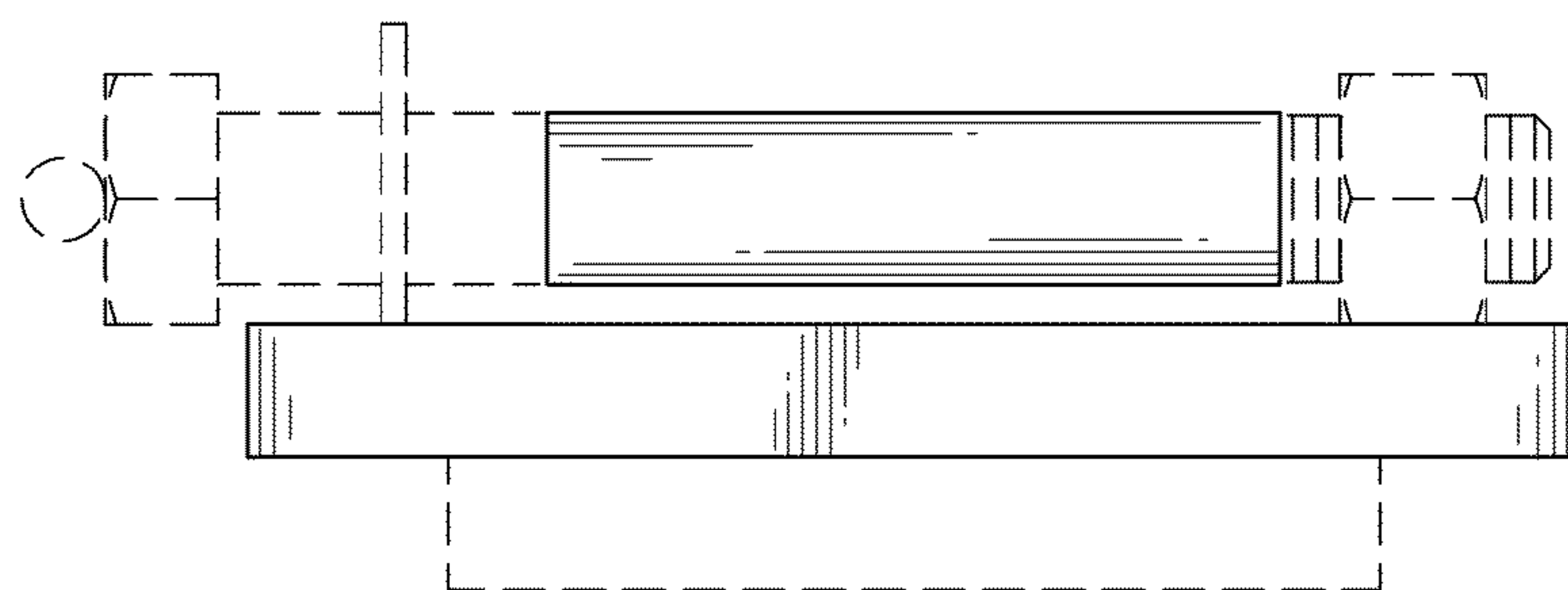


FIG. 3

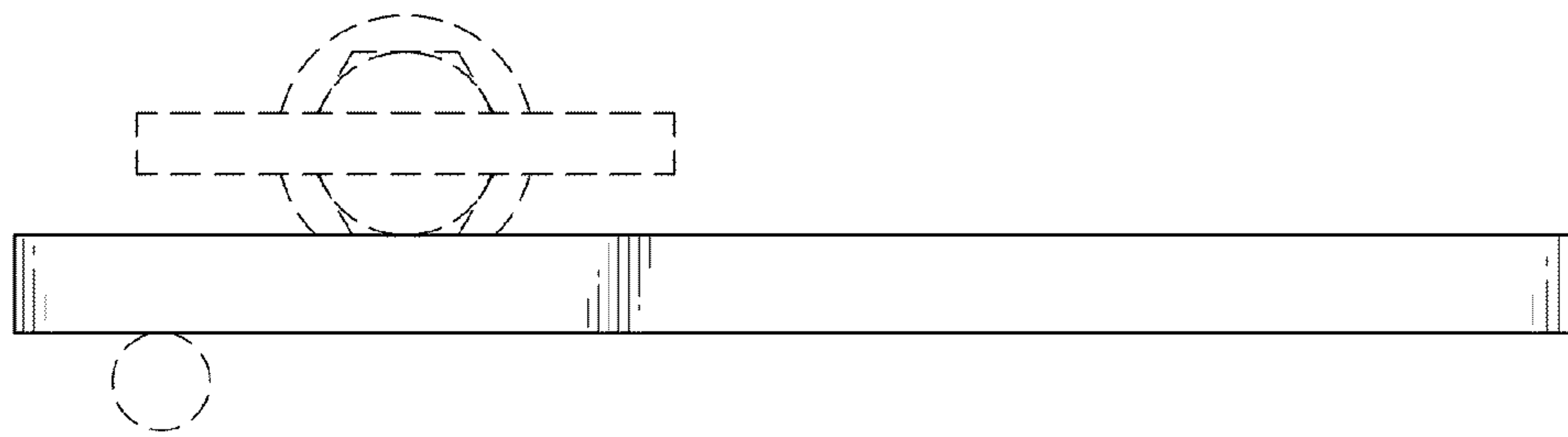


FIG. 4

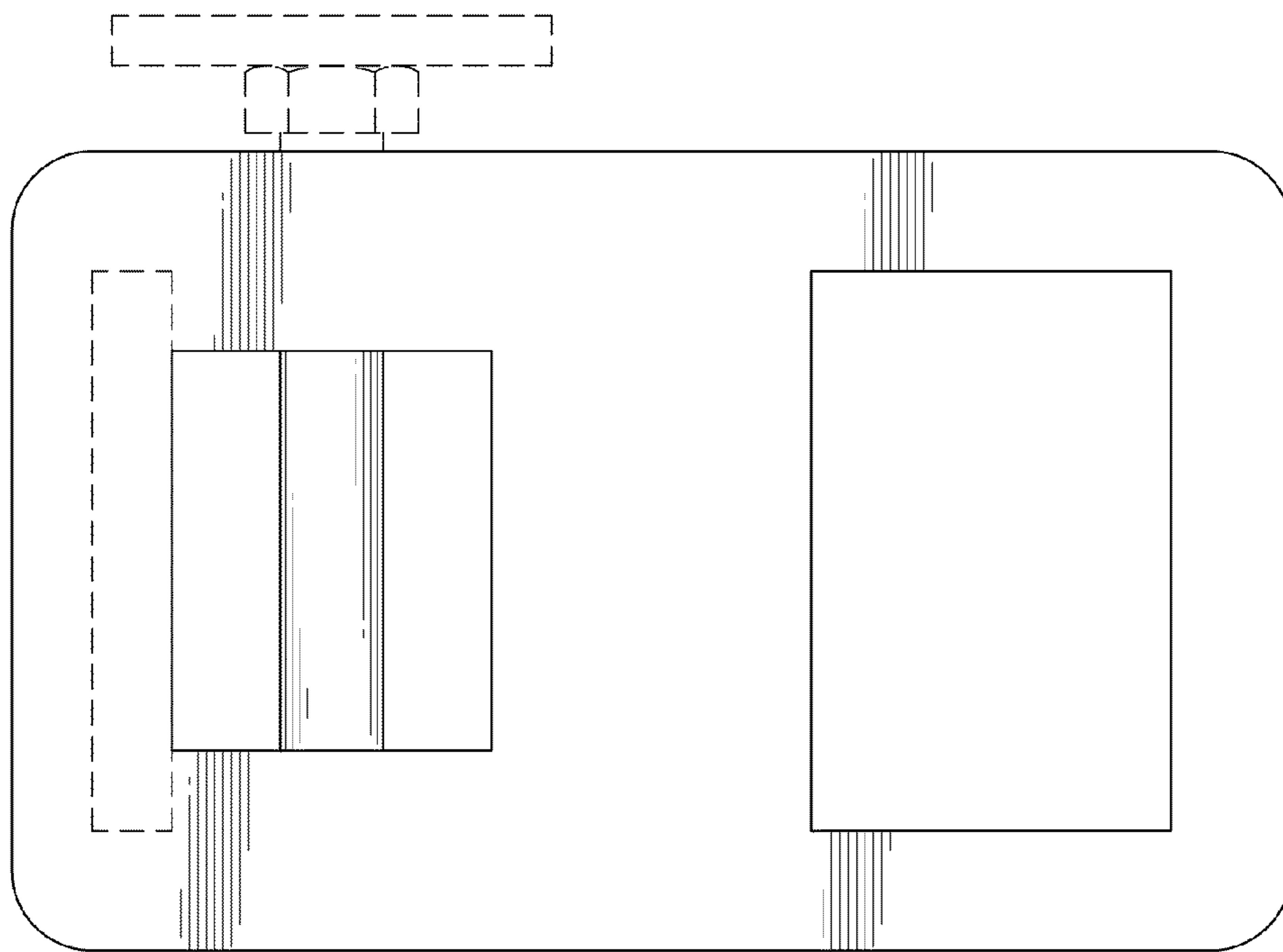


FIG. 5

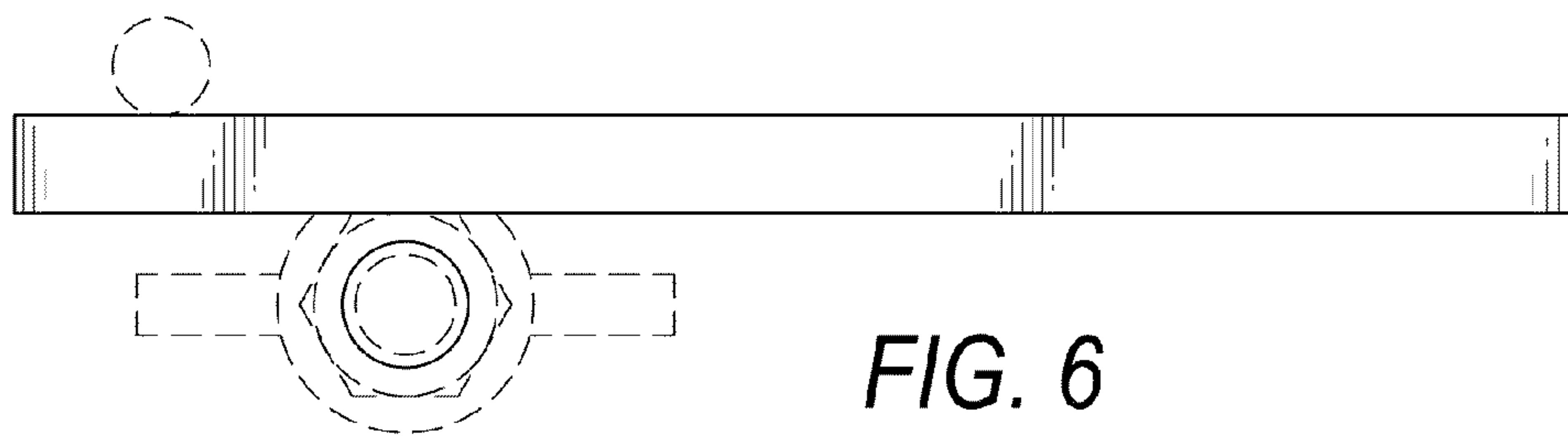


FIG. 6