

US00D688762S

(12) **United States Design Patent**  
**Hilton et al.**

(10) **Patent No.:** **US D688,762 S**

(45) **Date of Patent:** **\*\* Aug. 27, 2013**

(54) **PUTTER HEAD**

D652,092 S \* 1/2012 Rollinson ..... D21/743

(75) Inventors: **Thomas R. Hilton**, Cardiff, CA (US);  
**Augustin W. Rollinson**, Carlsbad, CA (US)

\* cited by examiner

*Primary Examiner* — Mitchell Siegel

(73) Assignee: **Callaway Golf Company**, Carlsbad, CA (US)

(74) *Attorney, Agent, or Firm* — Rebecca Hanovice; Michael A. Catania; Sonia Lari

(\*\*) Term: **14 Years**

(57) **CLAIM**

The ornamental design for a putter head, as shown and described.

(21) Appl. No.: **29/431,491**

**DESCRIPTION**

(22) Filed: **Sep. 7, 2012**

(51) **LOC (9) Cl.** ..... **21-02**

(52) **U.S. Cl.**  
USPC ..... **D21/736**

(58) **Field of Classification Search**  
USPC ..... D21/735–746, 759; 473/324–331,  
473/340–341, 251–256  
See application file for complete search history.

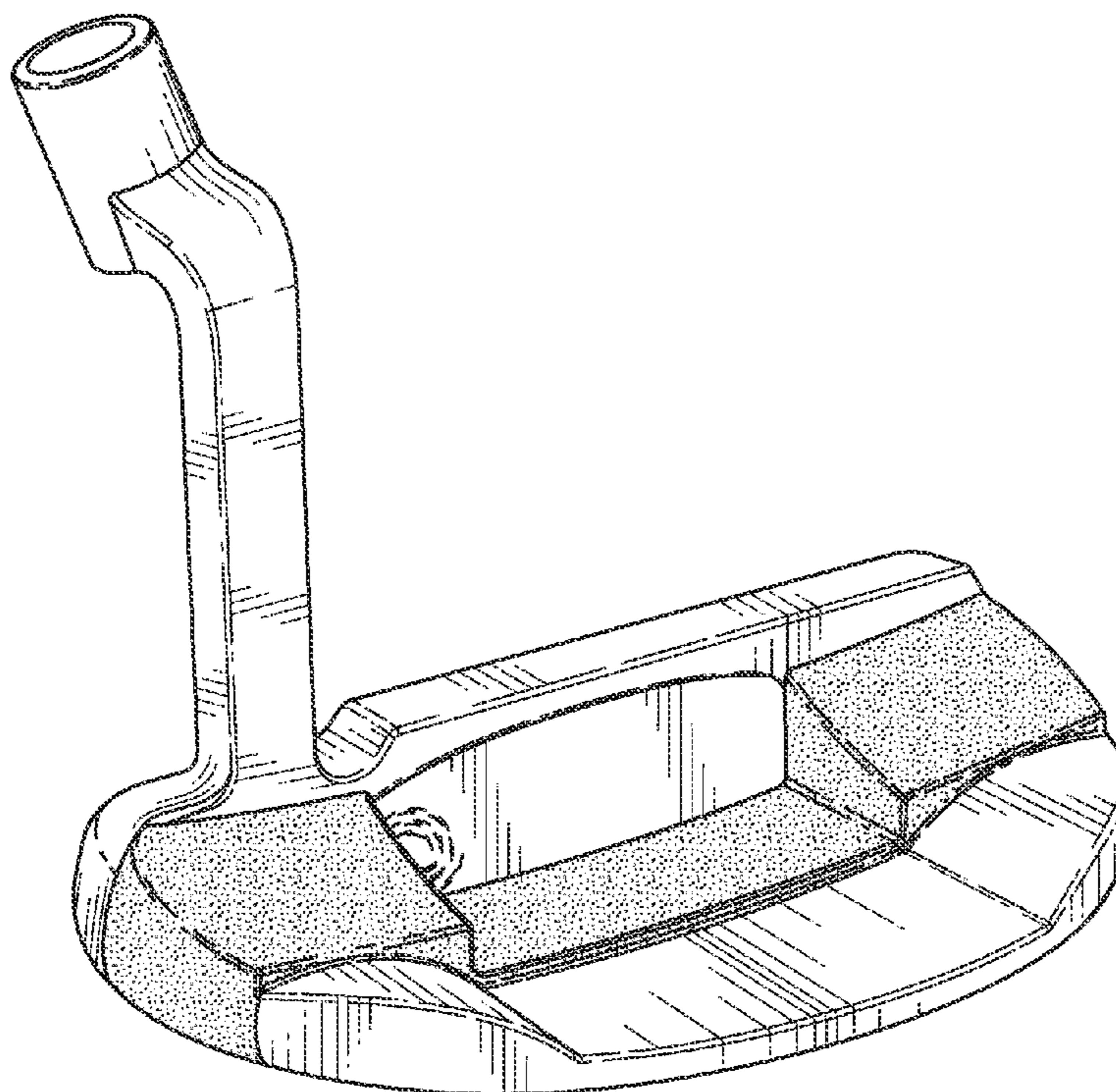
FIG. 1 is a rear perspective view of a first embodiment of a putter head as claimed herein;  
FIG. 2 is a rear view thereof;  
FIG. 3 is a front view thereof;  
FIG. 4 is a right side view thereof;  
FIG. 5 is a left side view thereof;  
FIG. 6 is a top plan view thereof;  
FIG. 7 is a bottom plan view thereof;  
FIG. 8 is a rear perspective view of a second embodiment of a putter head as claimed herein;  
FIG. 9 is a rear view thereof;  
FIG. 10 is a front view thereof;  
FIG. 11 is a right side view thereof;  
FIG. 12 is a left side view thereof;  
FIG. 13 is a top plan view thereof; and,  
FIG. 14 is a bottom plan view thereof.  
The broken lines are included for the purpose of illustration and form no part of the claimed design.

(56) **References Cited**

U.S. PATENT DOCUMENTS

D532,468 S *	11/2006	Hettinger	.....	D21/743
D583,886 S *	12/2008	Cameron	.....	D21/743
D588,657 S *	3/2009	Hettinger et al.	.....	D21/744
D590,463 S *	4/2009	Hettinger et al.	.....	D21/743
D634,801 S *	3/2011	Rollinson	.....	D21/743
D641,057 S *	7/2011	Rollinson	.....	D21/744
D641,440 S *	7/2011	Hettinger et al.	.....	D21/743
D641,442 S *	7/2011	Rollinson	.....	D21/744
D650,457 S *	12/2011	Rollinson	.....	D21/743
D650,458 S *	12/2011	Rollinson	.....	D21/744

**1 Claim, 8 Drawing Sheets**



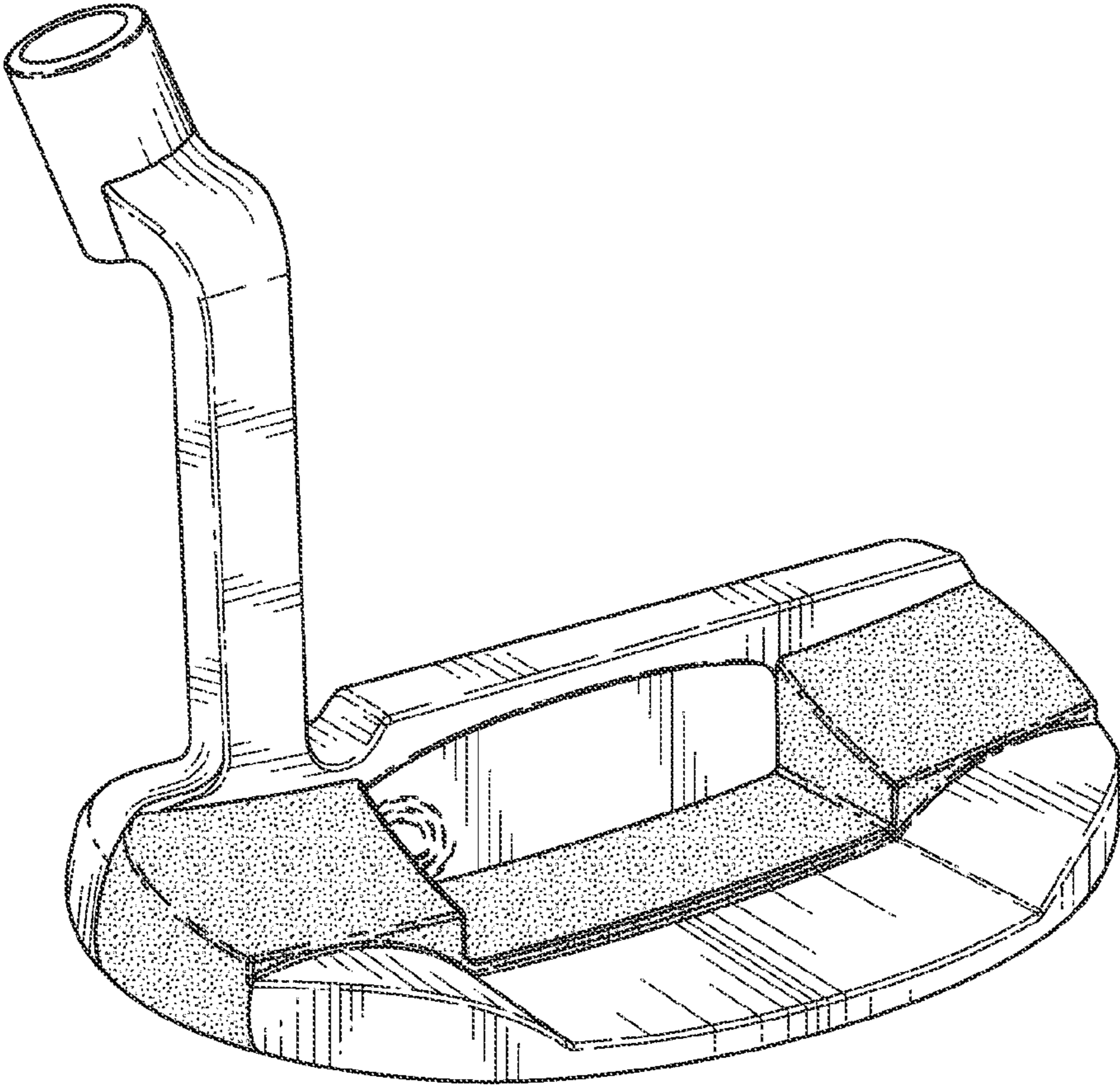


FIG. 1

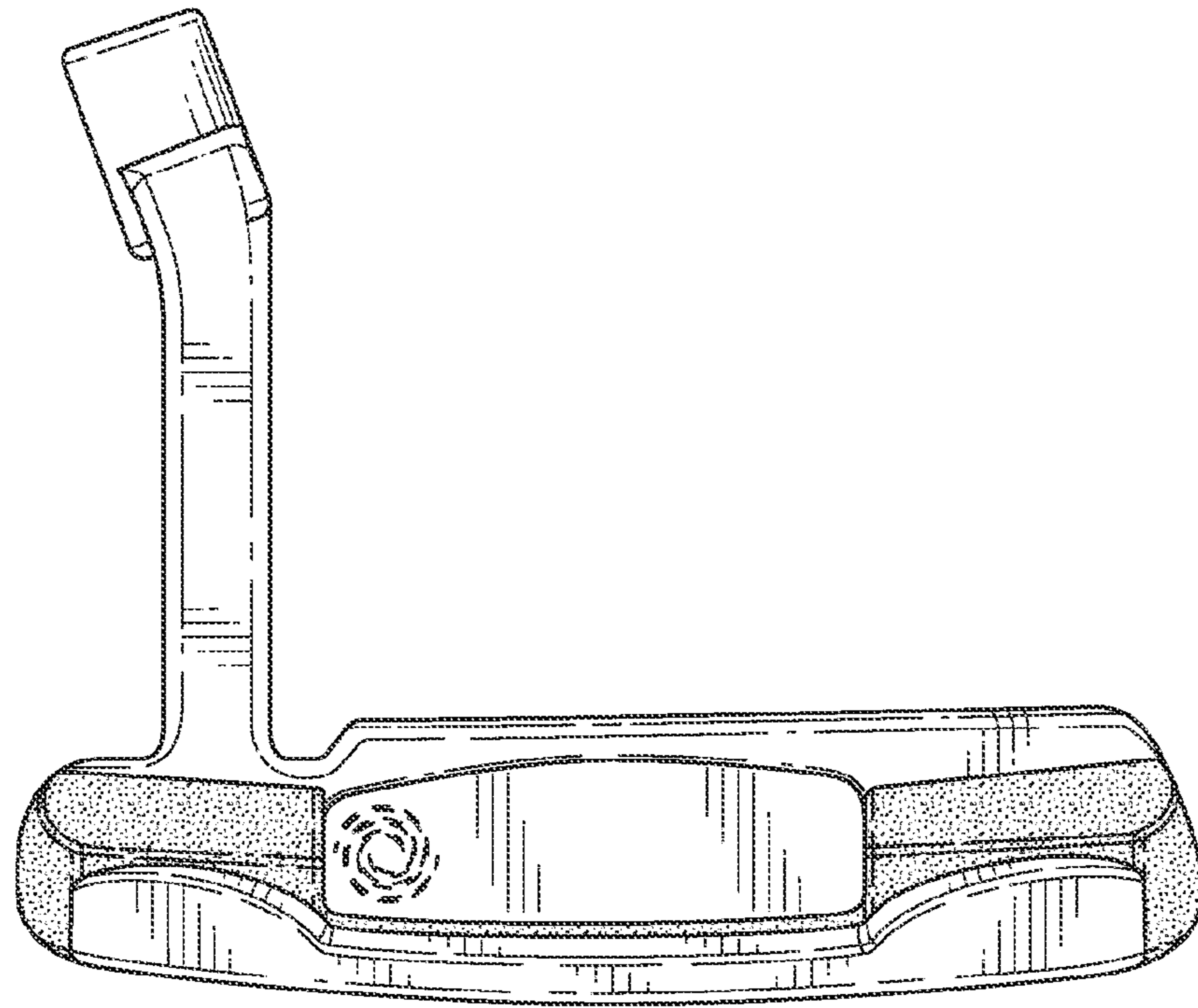


FIG. 2

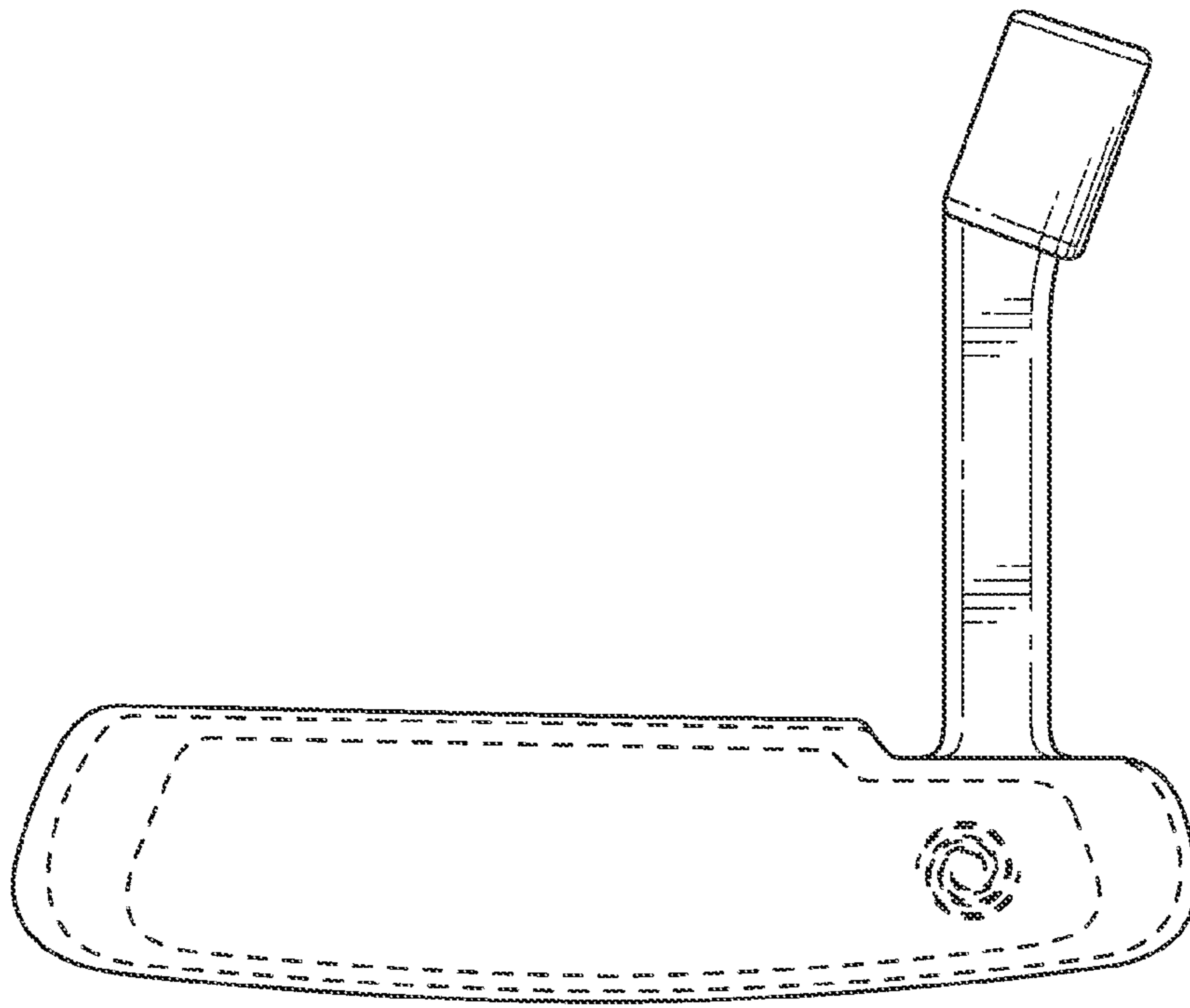


FIG. 3

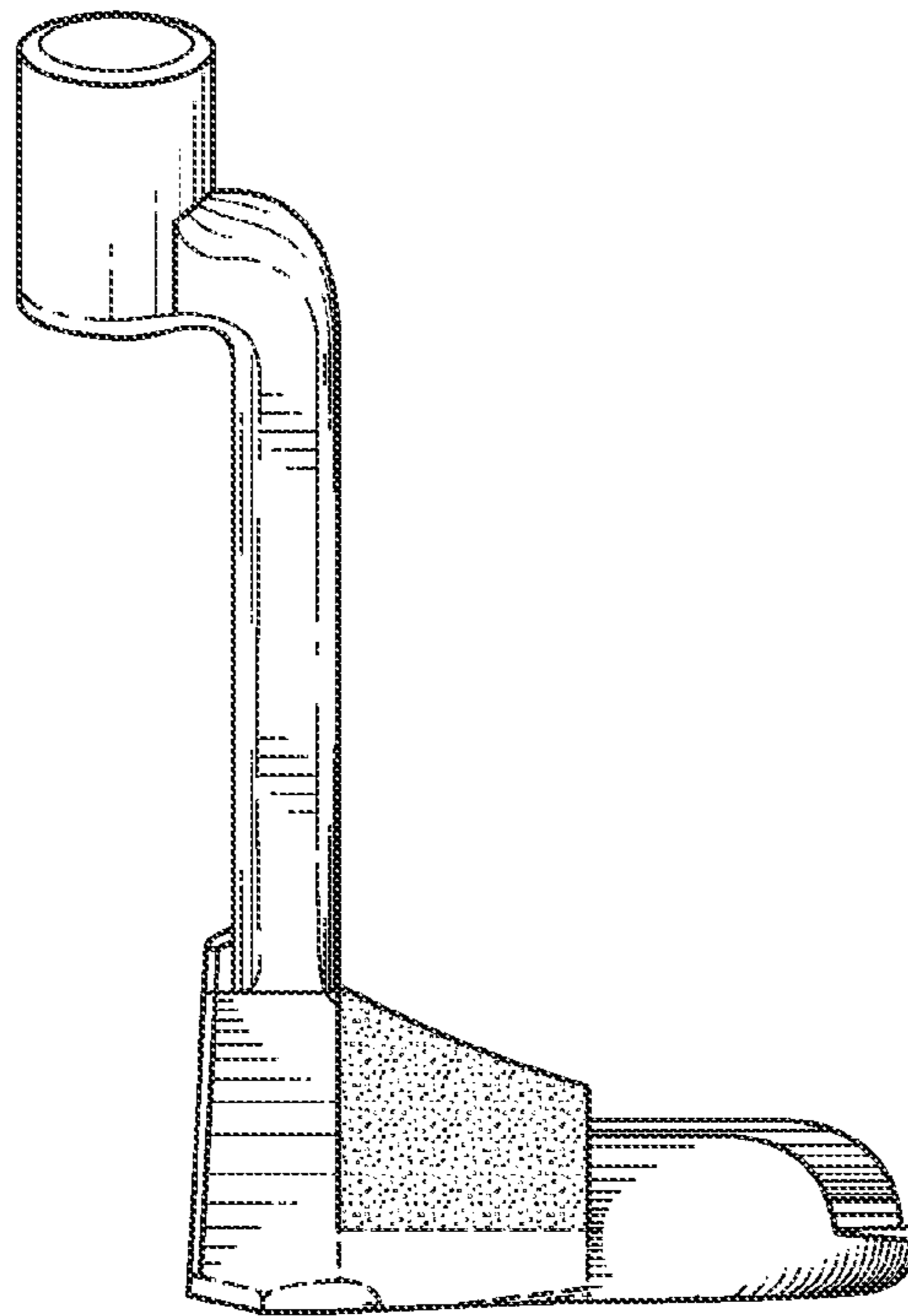


FIG. 4

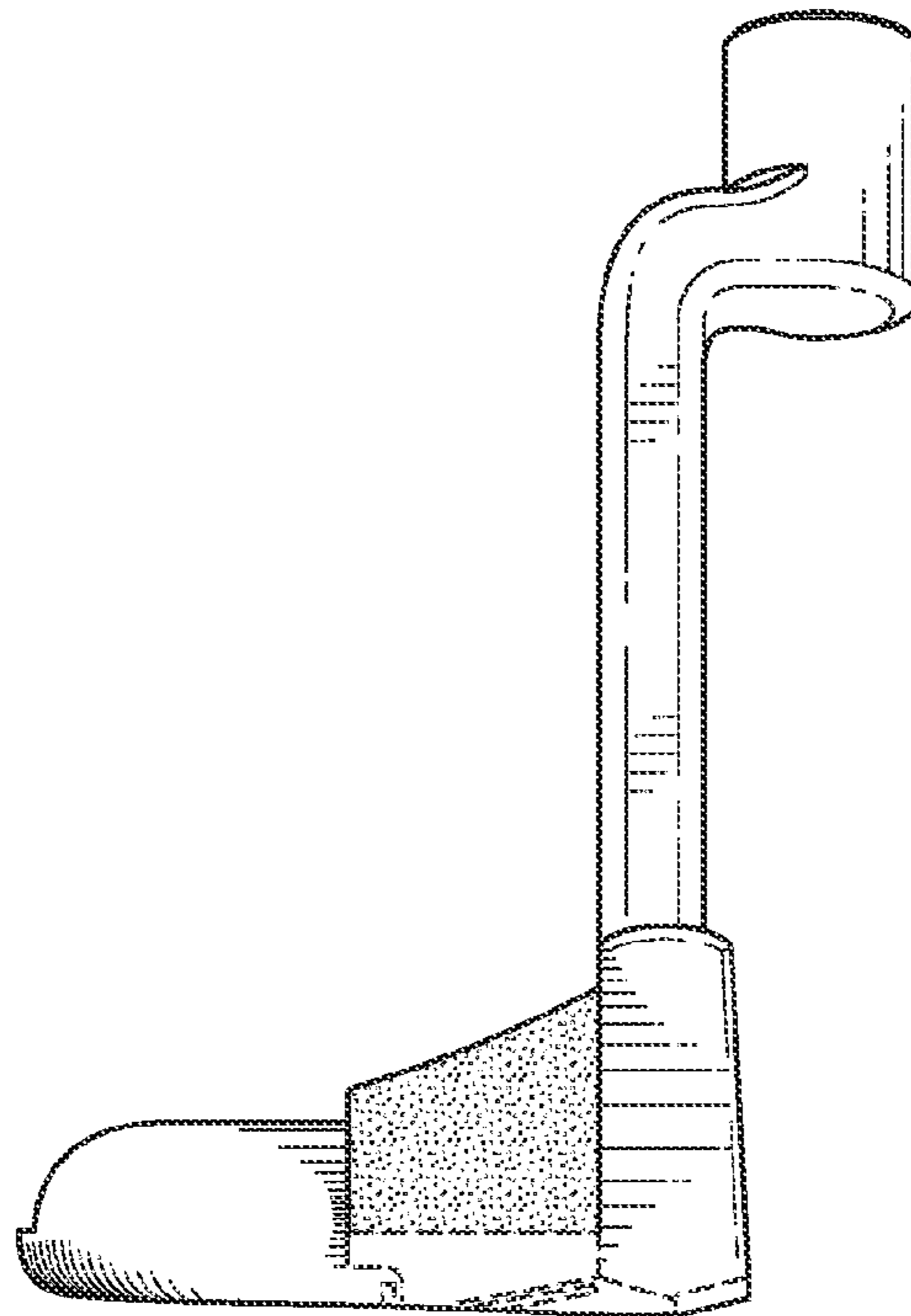


FIG. 5

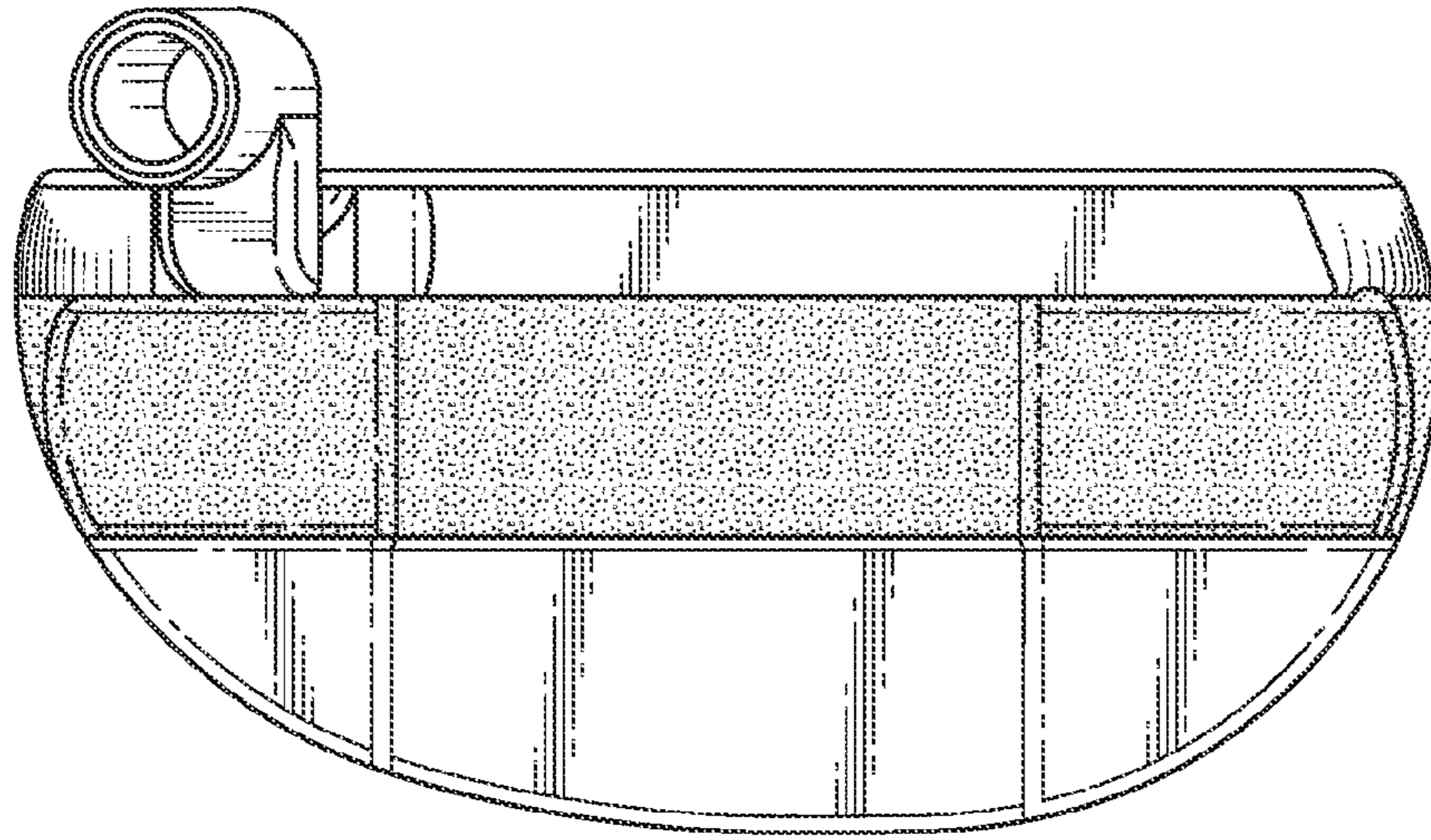


FIG. 6

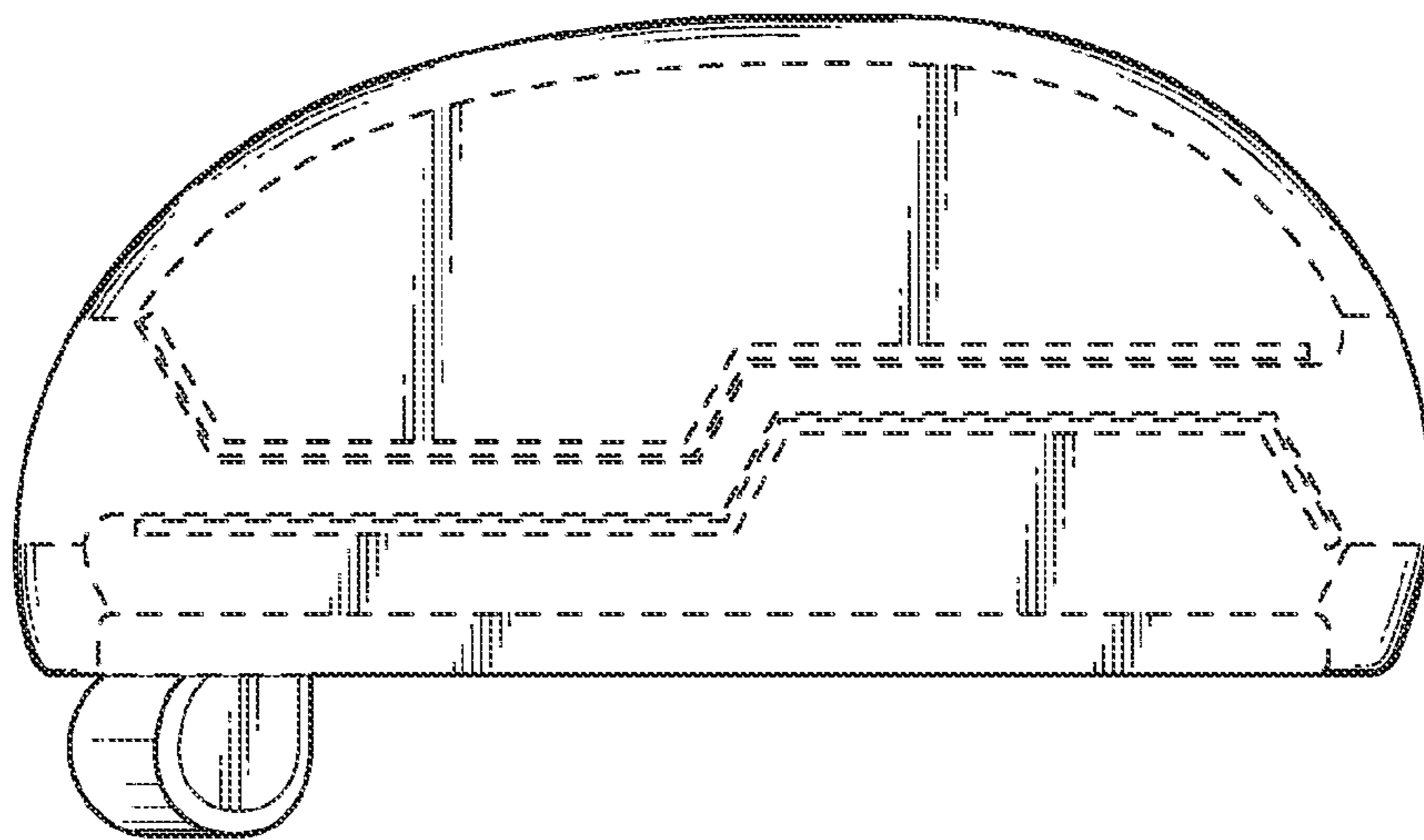


FIG. 7

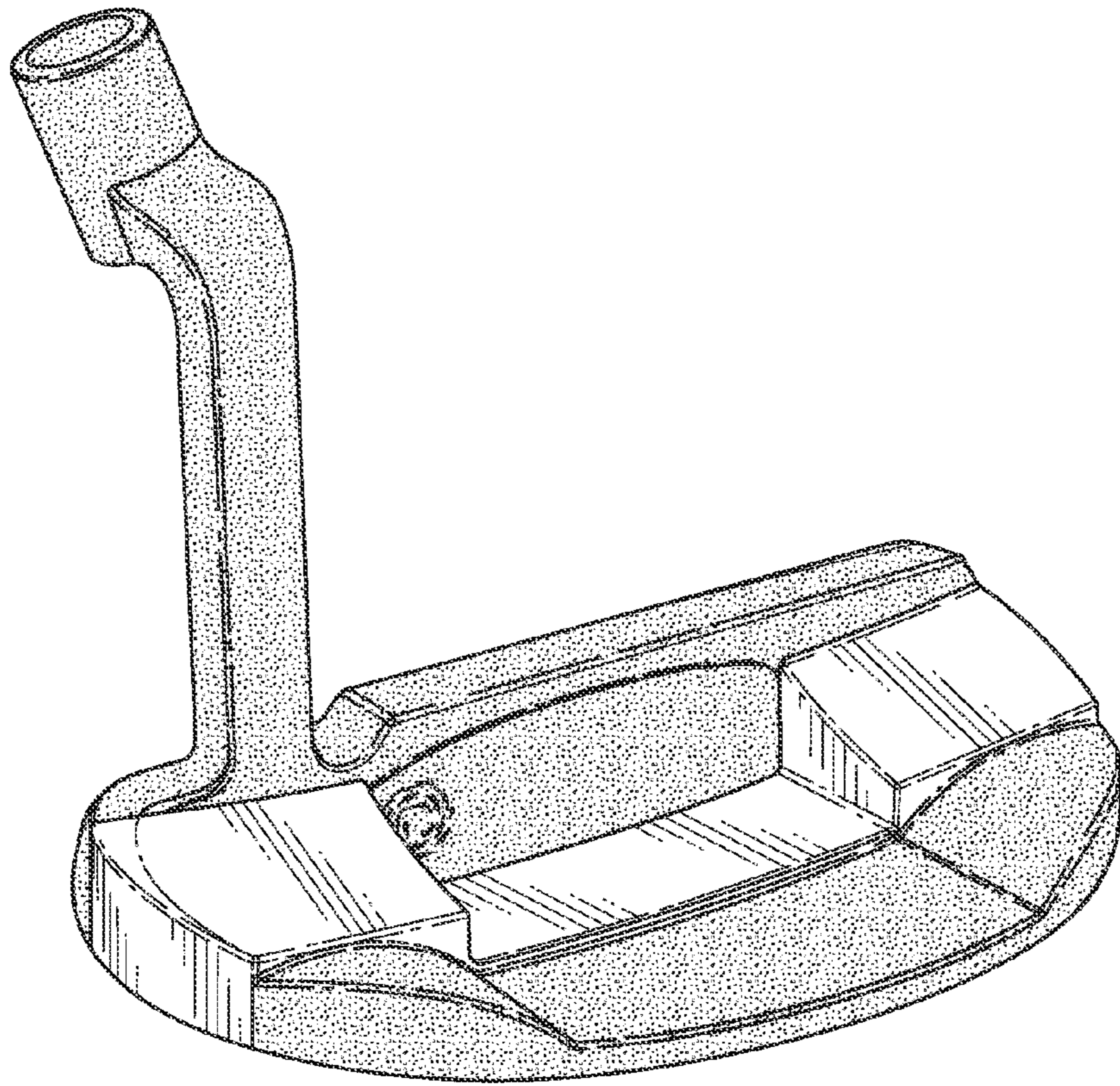


FIG. 8

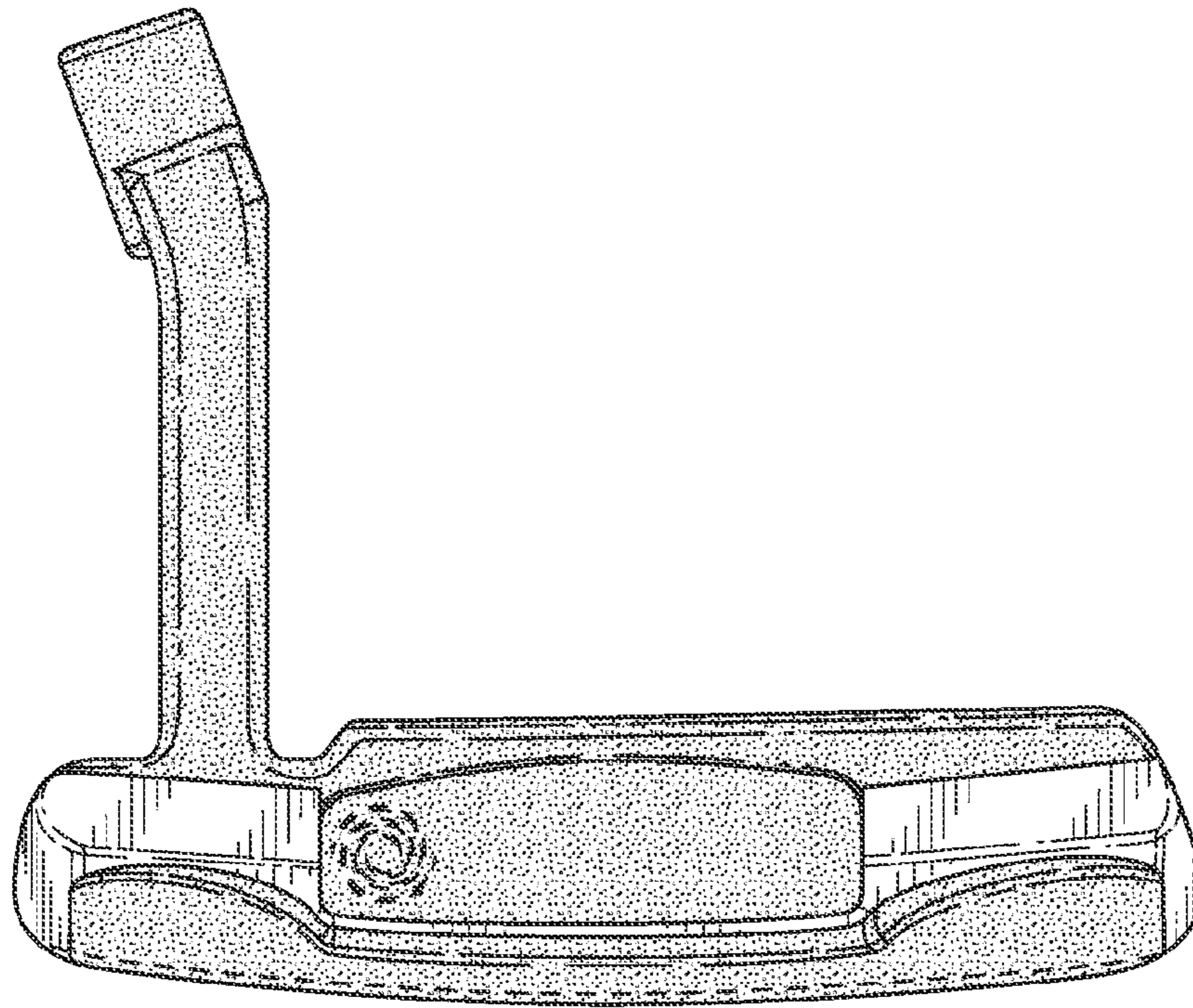


FIG. 9

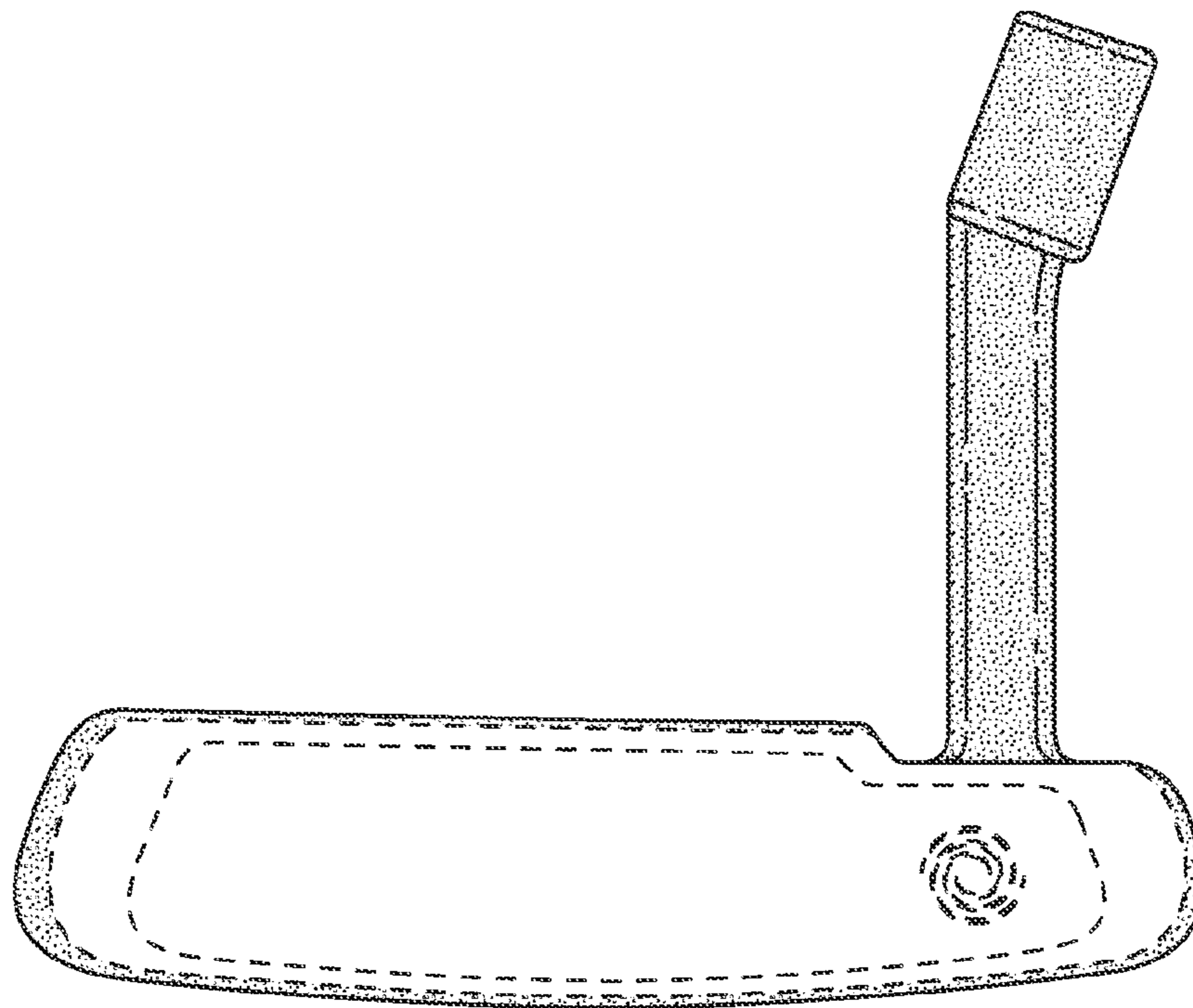


FIG. 10

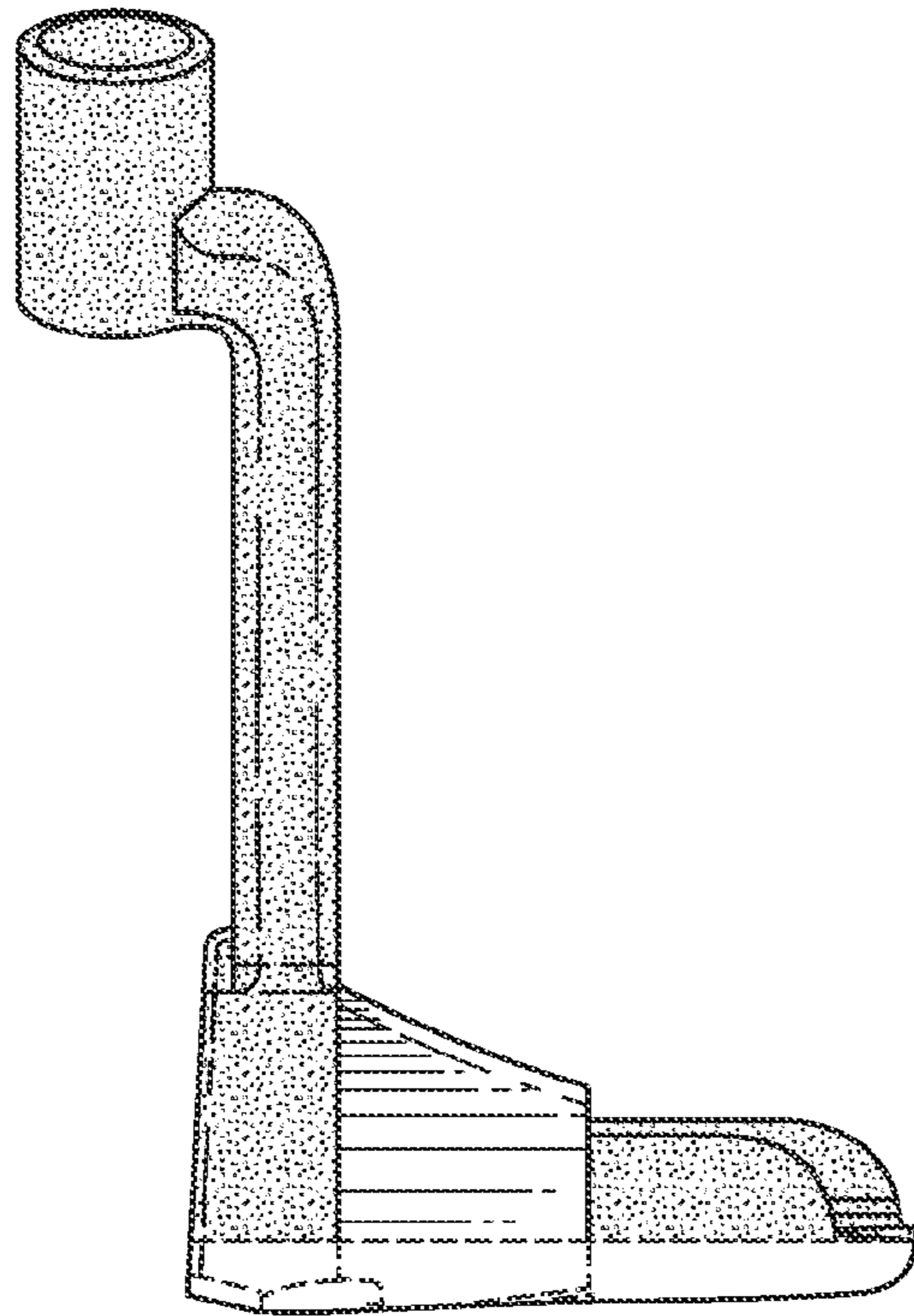


FIG. 11

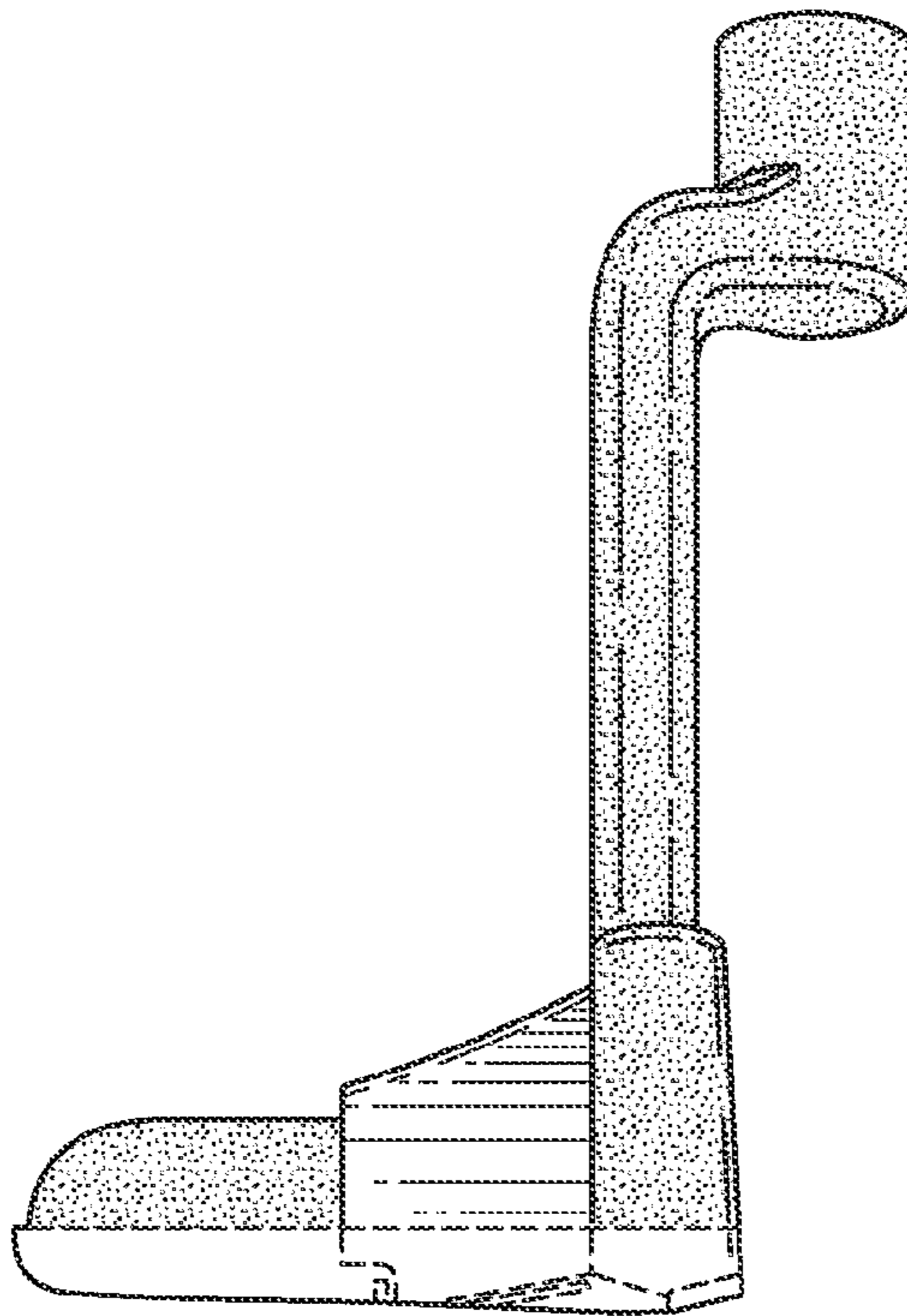


FIG. 12



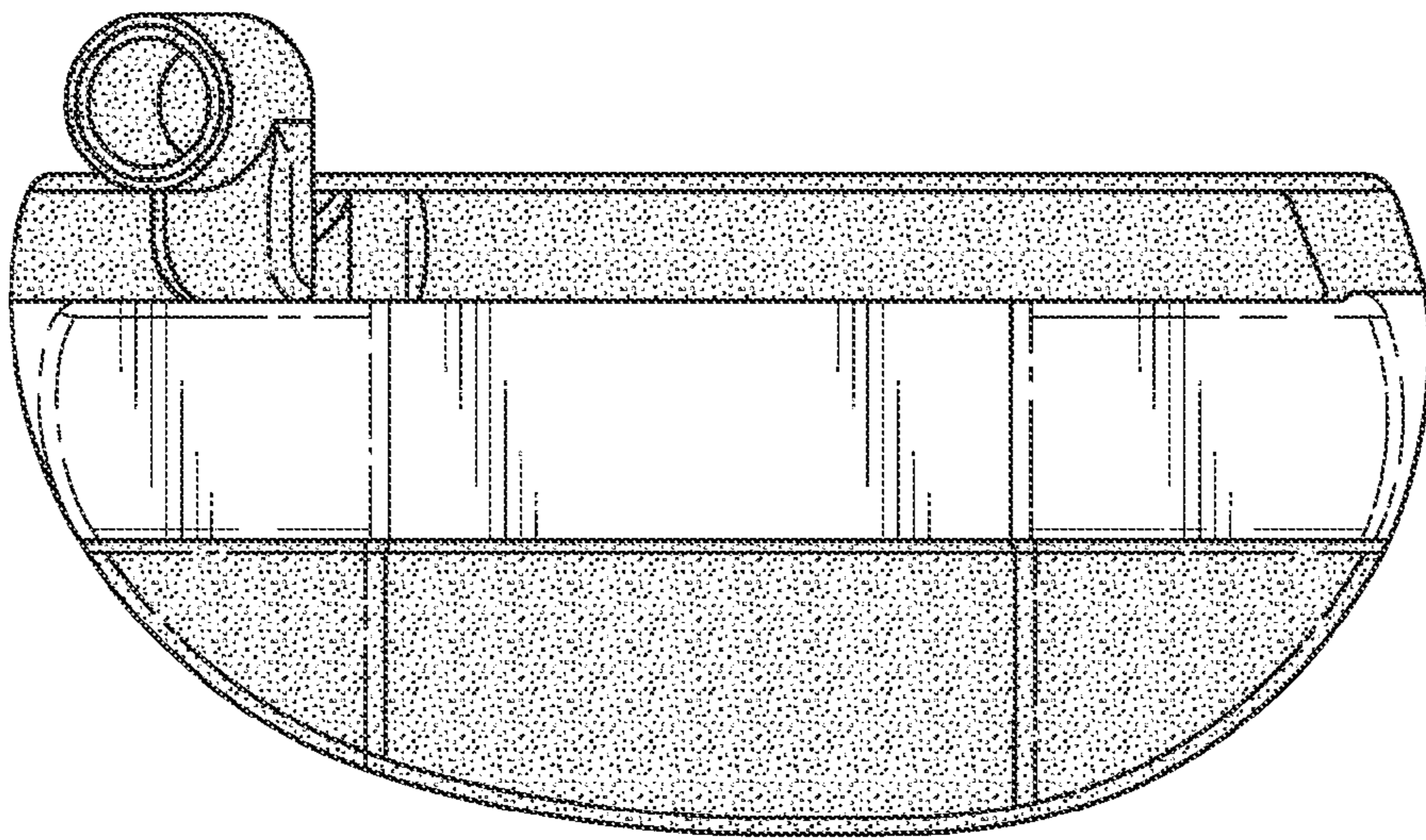


FIG. 13

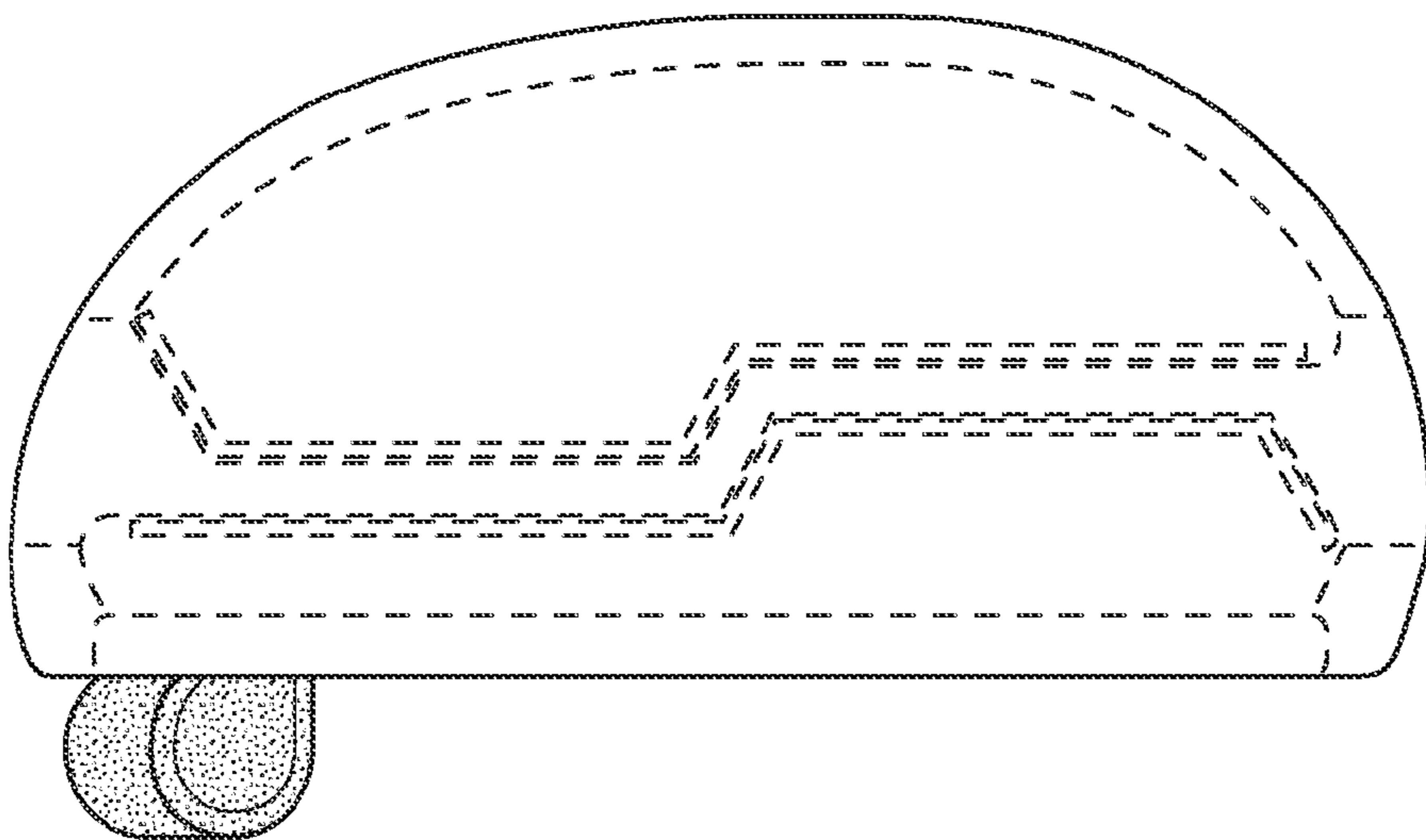


FIG. 14