

US00D688759S

(12) **United States Design Patent**
Davies, III

(10) **Patent No.:** **US D688,759 S**

(45) **Date of Patent:** **** Aug. 27, 2013**

(54) **WEIGHT WITH HANDLES**

(75) **Inventor:** **David Robert Davies, III**, North
Chesterfield, VA (US)

(73) **Assignee:** **Atlas Barbell, LLC**, North Chesterfield,
VA (US)

(**) **Term:** **14 Years**

(21) **Appl. No.:** **29/428,411**

(22) **Filed:** **Jul. 31, 2012**

(51) **LOC (9) Cl.** **21-02**

(52) **U.S. Cl.**
USPC **D21/680**

(58) **Field of Classification Search**
USPC D21/662, 677-681, 684, 694; 482/50,
482/92-94, 105-108, 139, 140, 142
See application file for complete search history.

(56) **References Cited**

U.S. PATENT DOCUMENTS

D194,042	S	*	11/1962	Guthormsen	D21/681
D278,358	S	*	4/1985	Zwilling	D21/681
4,515,364	A	*	5/1985	Rotella	482/139
5,137,502	A	*	8/1992	Anastasi	482/106
D354,322	S	*	1/1995	Vodhanel, Jr.	D21/681
D355,007	S	*	1/1995	Rojas et al.	D21/681
D406,183	S	*	2/1999	Zovich	D21/680
D411,303	S	*	6/1999	Scagliotti	D24/194
D421,076	S	*	2/2000	Lincir	D21/681
D428,947	S	*	8/2000	Harms et al.	D21/680
D433,721	S	*	11/2000	Rojas et al.	D21/681
D445,854	S	*	7/2001	Harms et al.	D21/680
D448,055	S	*	9/2001	Lien et al.	D21/681
D450,361	S	*	11/2001	Harms et al.	D21/681
6,319,176	B1	*	11/2001	Landfair	482/93
6,328,678	B1	*	12/2001	Romero	482/106
D454,167	S	*	3/2002	Lincir	D21/680
6,436,015	B1	*	8/2002	Frasco et al.	482/106

D474,517	S	*	5/2003	Harms	D21/681
D483,083	S	*	12/2003	Allshouse et al.	D21/680
6,702,723	B2	*	3/2004	Landfair	482/93
6,736,765	B2	*	5/2004	Wallace et al.	482/106
6,746,380	B2	*	6/2004	Lien et al.	482/106
6,991,590	B2	*	1/2006	Vigiano	482/106
7,198,591	B2	*	4/2007	Lien	482/106
7,300,389	B2	*	11/2007	Lien et al.	482/106
D562,415	S	*	2/2008	Xu et al.	D21/680
D562,919	S	*	2/2008	Hillson	D21/680
D566,207	S	*	4/2008	Cao	D21/681
D566,208	S	*	4/2008	Alessandri et al.	D21/681
D566,209	S	*	4/2008	Alessandri et al.	D21/681
D573,208	S	*	7/2008	Davies, III	D21/680
D606,133	S	*	12/2009	Lien	D21/681
D639,874	S	*	6/2011	Hillson	D21/680
D643,075	S	*	8/2011	Childs	D21/680
D673,230	S	*	12/2012	Qin	D21/680

* cited by examiner

Primary Examiner — Susan E Krakower

(74) *Attorney, Agent, or Firm* — Whitham Curtis
Christofferson & Cook, PC

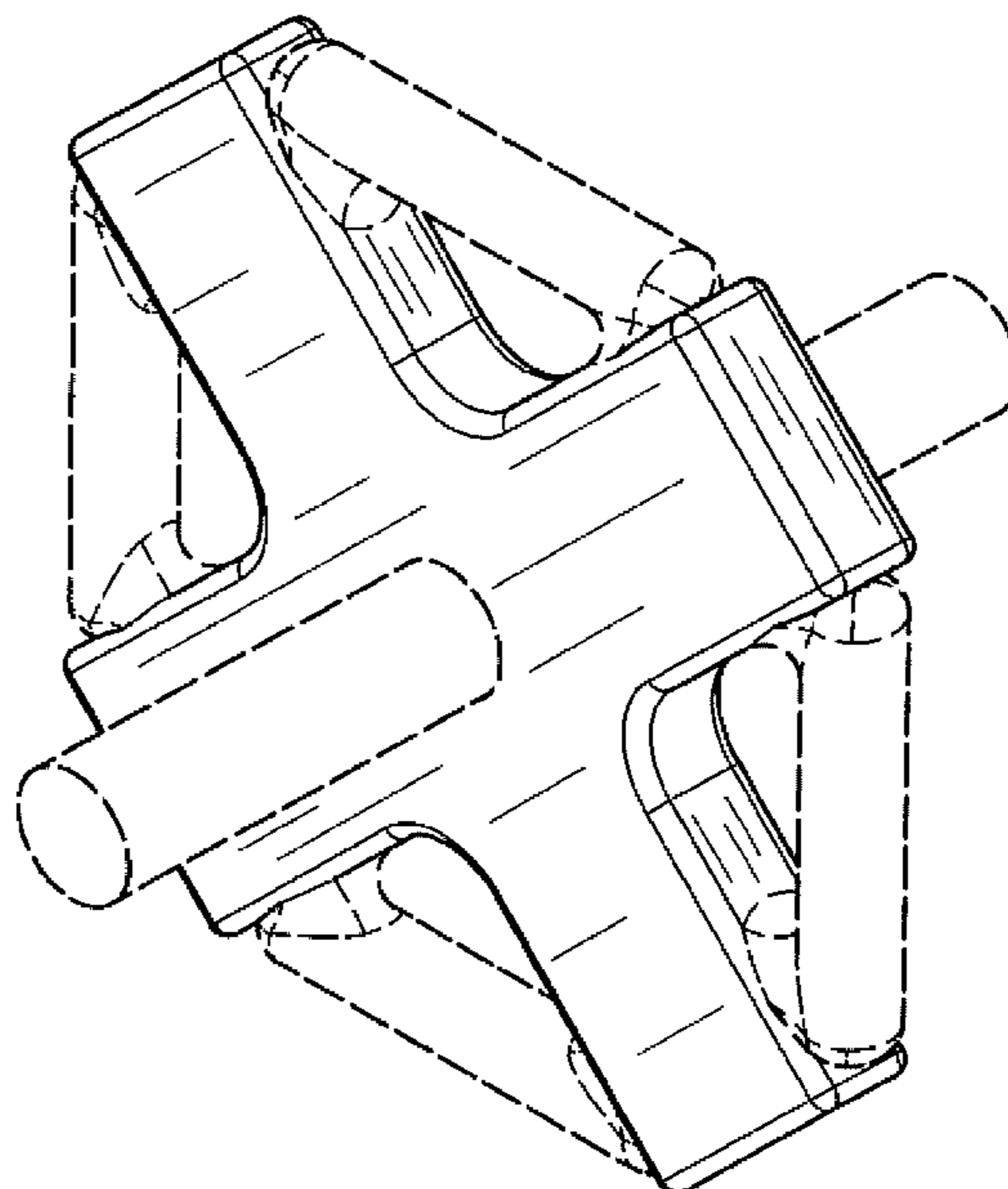
(57) **CLAIM**

I claim the ornamental design for weight with handles, as shown and described.

DESCRIPTION

FIG. 1 is a front elevational view of a weight with handles.
FIG. 2 is a front, top and right side perspective view of the weight.
FIG. 3 is a front, top and left side perspective view of the weight; and,
FIG. 4 is a front, bottom and right side perspective view of the weight.
The broken lines in the drawing views is included to show unclaimed environment only and forms no part of the claimed design.

1 Claim, 4 Drawing Sheets



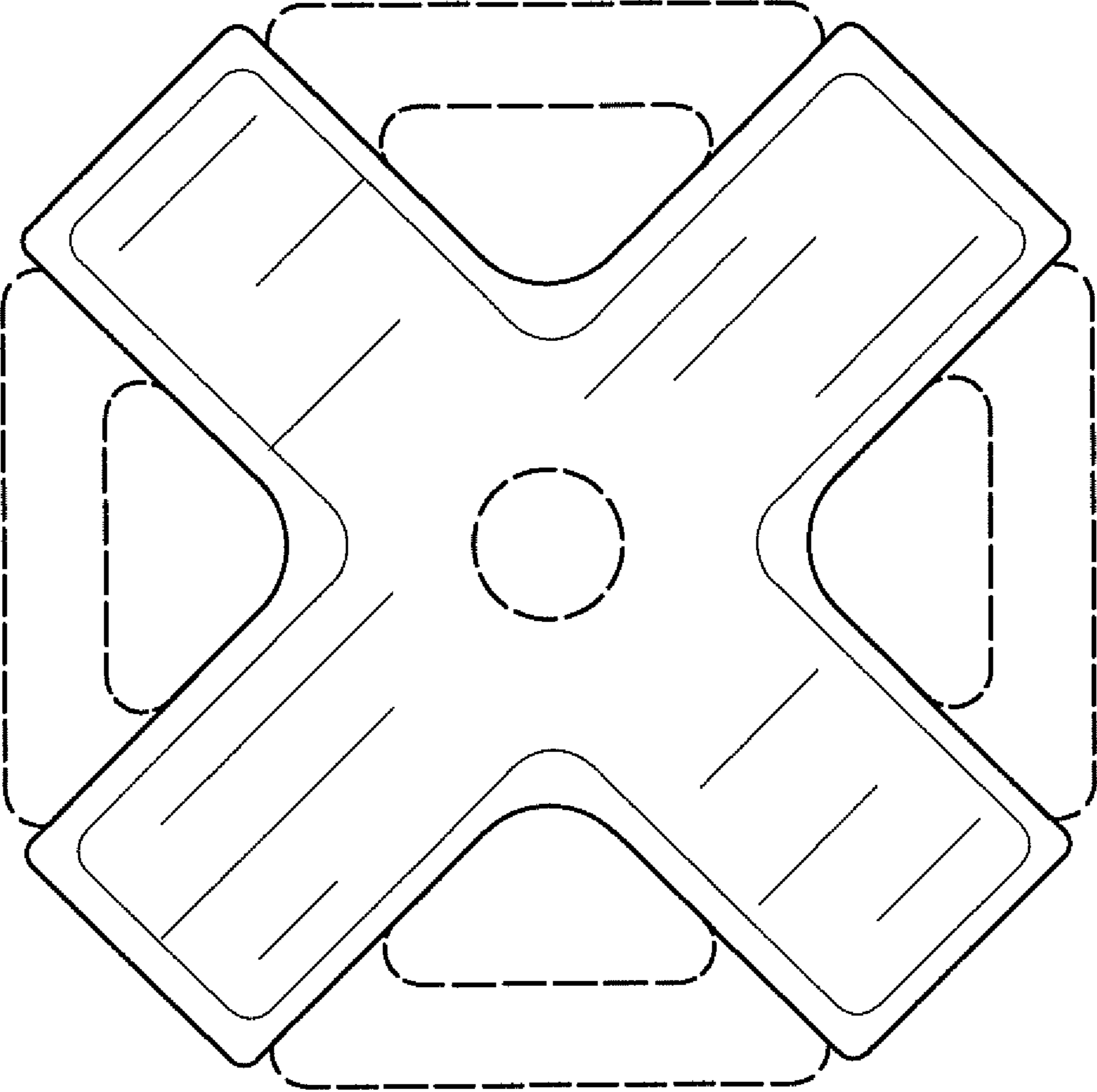


FIG. 1

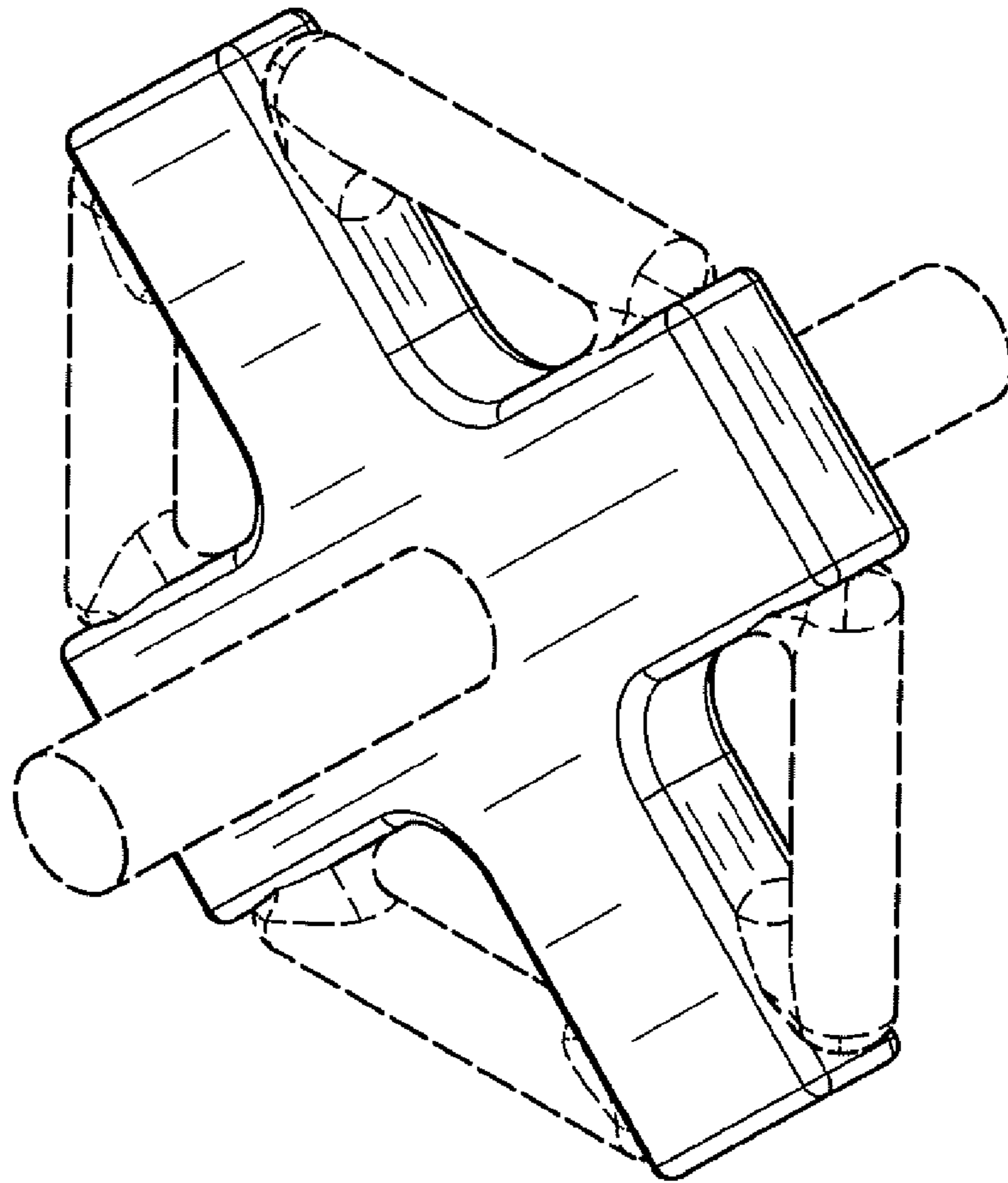


FIG. 2

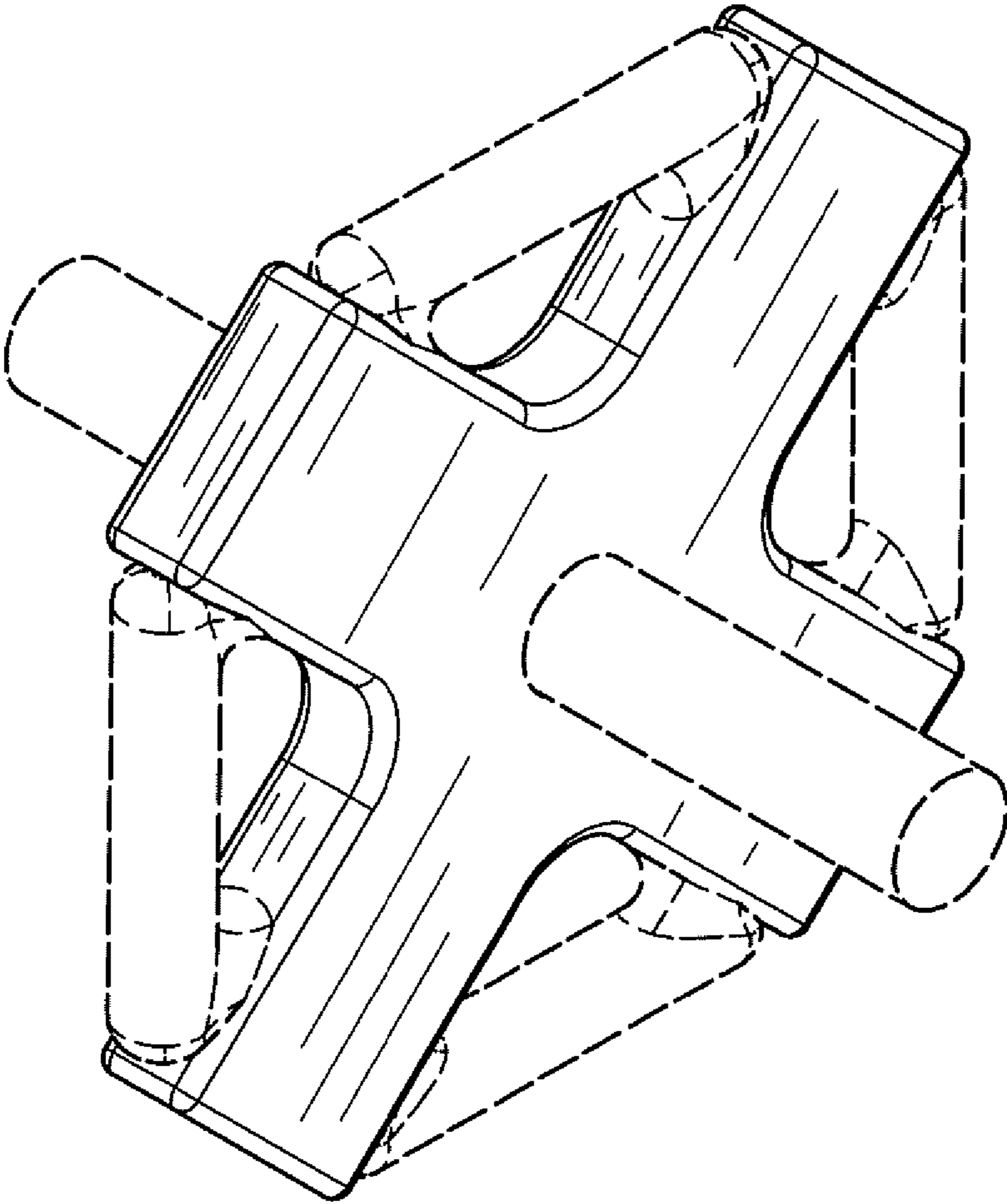


FIG. 3

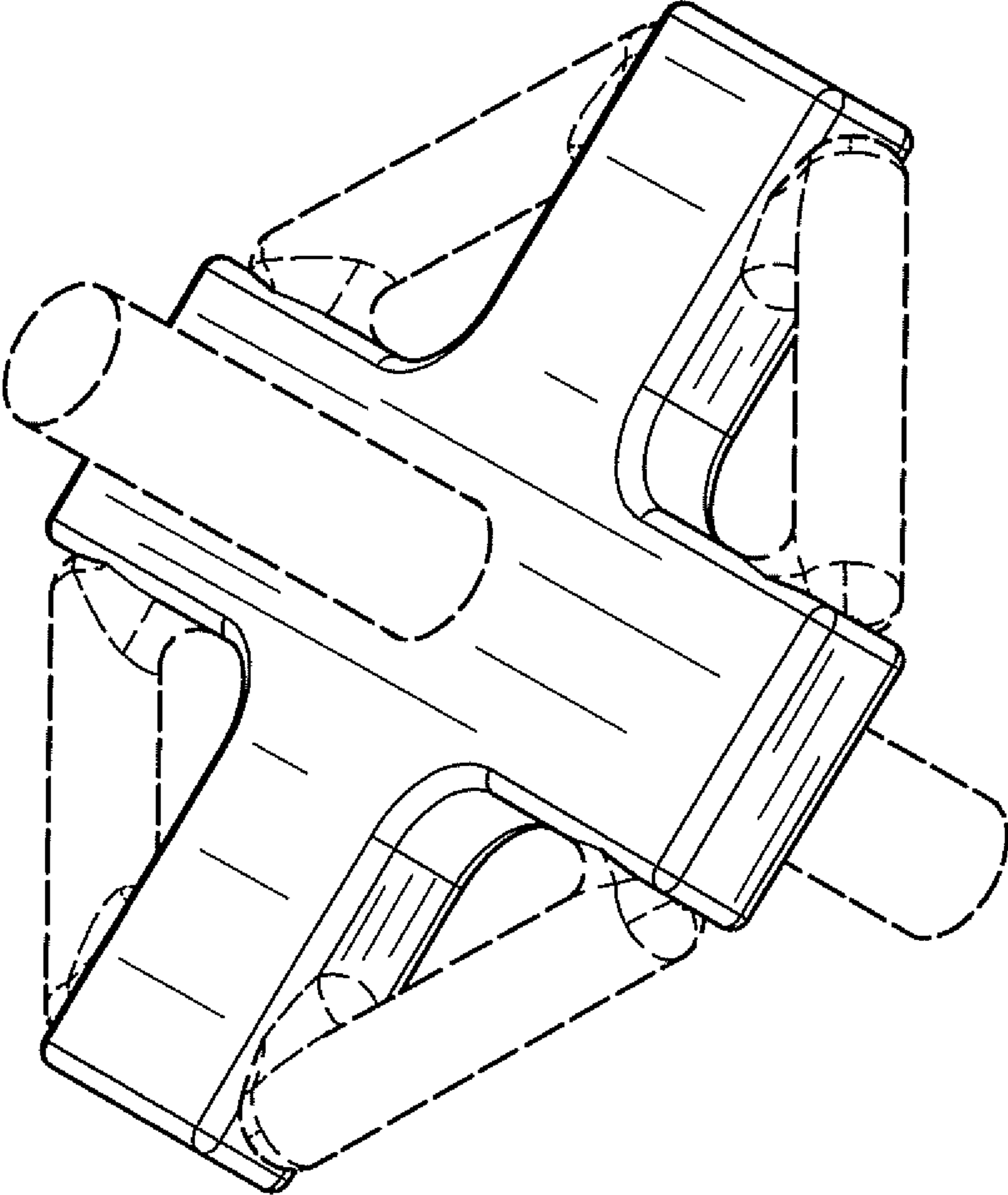


FIG. 4