



US00D688757S

(12) **United States Design Patent**
Davies, III

(10) **Patent No.:** **US D688,757 S**

(45) **Date of Patent:** **** Aug. 27, 2013**

(54) **WEIGHT**

(75) Inventor: **David Robert Davies, III**, North
Chesterfield, VA (US)

(73) Assignee: **Atlas Barbell, LLC**, North Chesterfield,
VA (US)

(**) Term: **14 Years**

(21) Appl. No.: **29/428,209**

(22) Filed: **Jul. 27, 2012**

(51) **LOC (9) Cl.** **21-02**

(52) **U.S. Cl.**
USPC **D21/680; D21/681**

(58) **Field of Classification Search**
USPC D21/662, 677-681, 684, 694; 482/50,
482/92-94, 105-108, 139, 140, 142
See application file for complete search history.

(56) **References Cited**

U.S. PATENT DOCUMENTS

654,097	A *	7/1900	Sandow	482/50
D194,042	S *	11/1962	Guthormsen	D21/681
4,482,151	A *	11/1984	Zwilling	482/106
D309,763	S *	8/1990	Solloway	D21/678
D328,113	S *	7/1992	Wilkinson et al.	D21/681
5,171,199	A *	12/1992	Panagos	482/106
5,344,375	A *	9/1994	Cooper	482/106
D380,511	S *	7/1997	Anthony, Jr.	D21/681
D384,713	S *	10/1997	Eckmann	D21/682
6,328,678	B1 *	12/2001	Romero	482/106
6,746,380	B2 *	6/2004	Lien et al.	482/106

7,083,553	B2 *	8/2006	Leon	482/106
7,182,716	B1 *	2/2007	Dawson	482/108
D546,908	S *	7/2007	Lien	D21/681
D578,172	S *	10/2008	Schiff	D21/681
7,775,948	B2 *	8/2010	Chen	482/108
7,887,469	B1 *	2/2011	Chen	482/108
D635,622	S *	4/2011	Martin et al.	D21/681
D663,795	S *	7/2012	Hillson	D21/681
2006/0240959	A1 *	10/2006	Huang	482/108

* cited by examiner

Primary Examiner — Susan E Krakower

(74) *Attorney, Agent, or Firm* — Whitham Curtis
Christofferson & Cook, PC

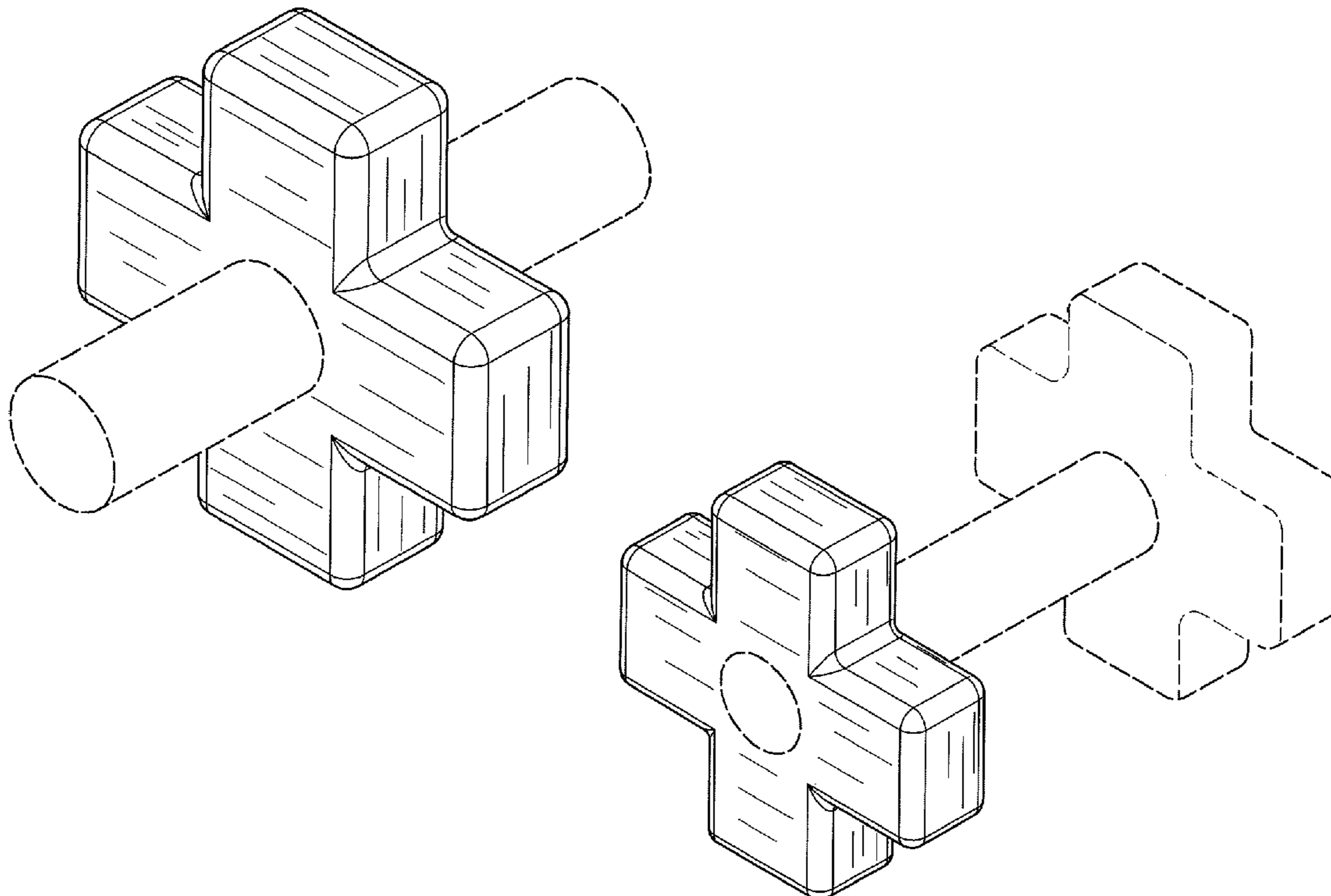
(57) **CLAIM**

I claim the ornamental design for weight, as shown and described.

DESCRIPTION

FIG. 1 is a front elevational view of a weight.
 FIG. 2 is a front, top and right side perspective view of the weight.
 FIG. 3 is a front, top and left side perspective view of the weight.
 FIG. 4 is a front, bottom and right side perspective view of the weight; and,
 FIG. 5 is a reduced front, top and right side perspective view of the weight.
 The broken lines in the drawing views is included to show unclaimed environment only and forms no part of the claimed design.

1 Claim, 5 Drawing Sheets



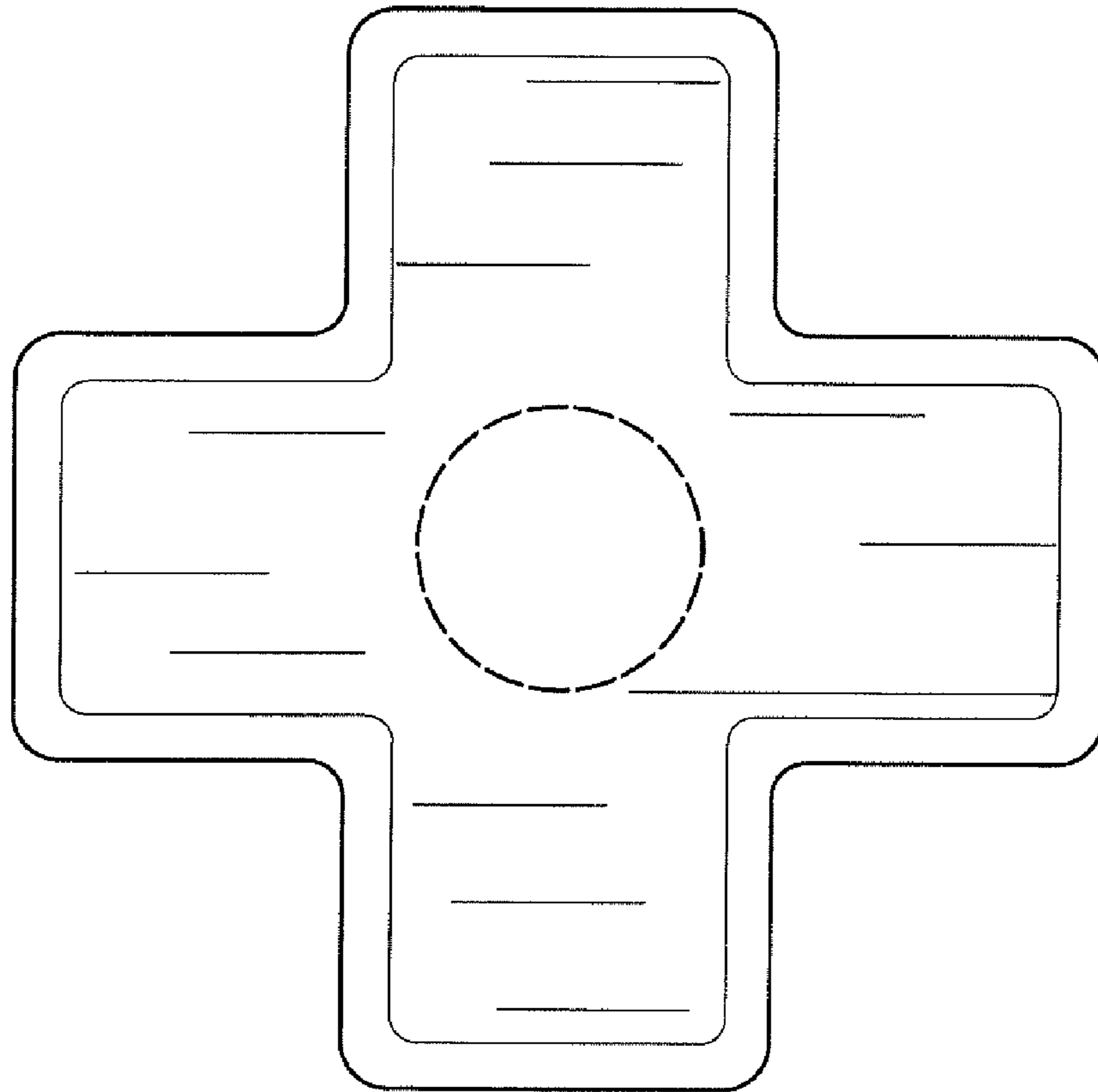


FIG. 1

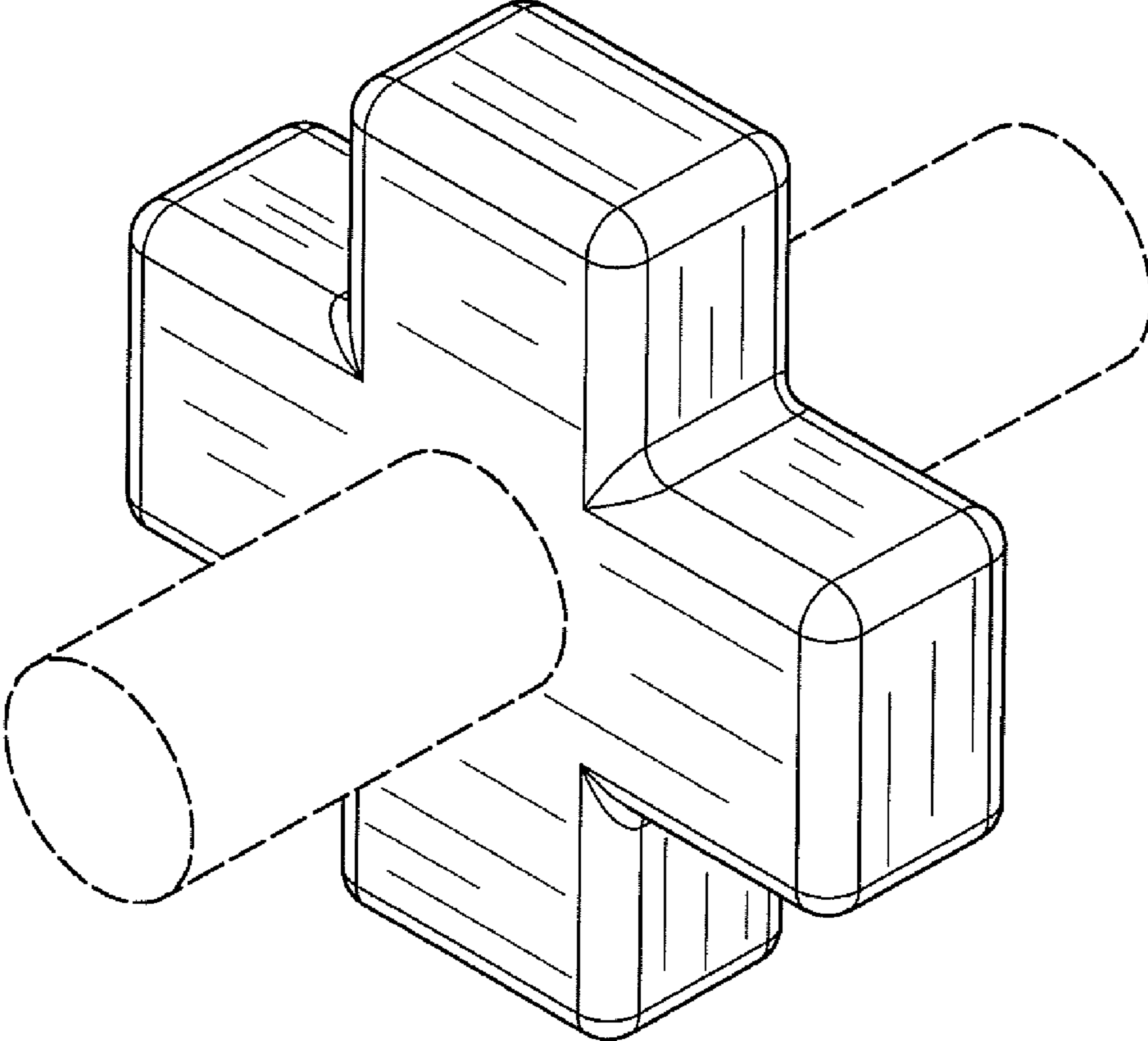


FIG. 2

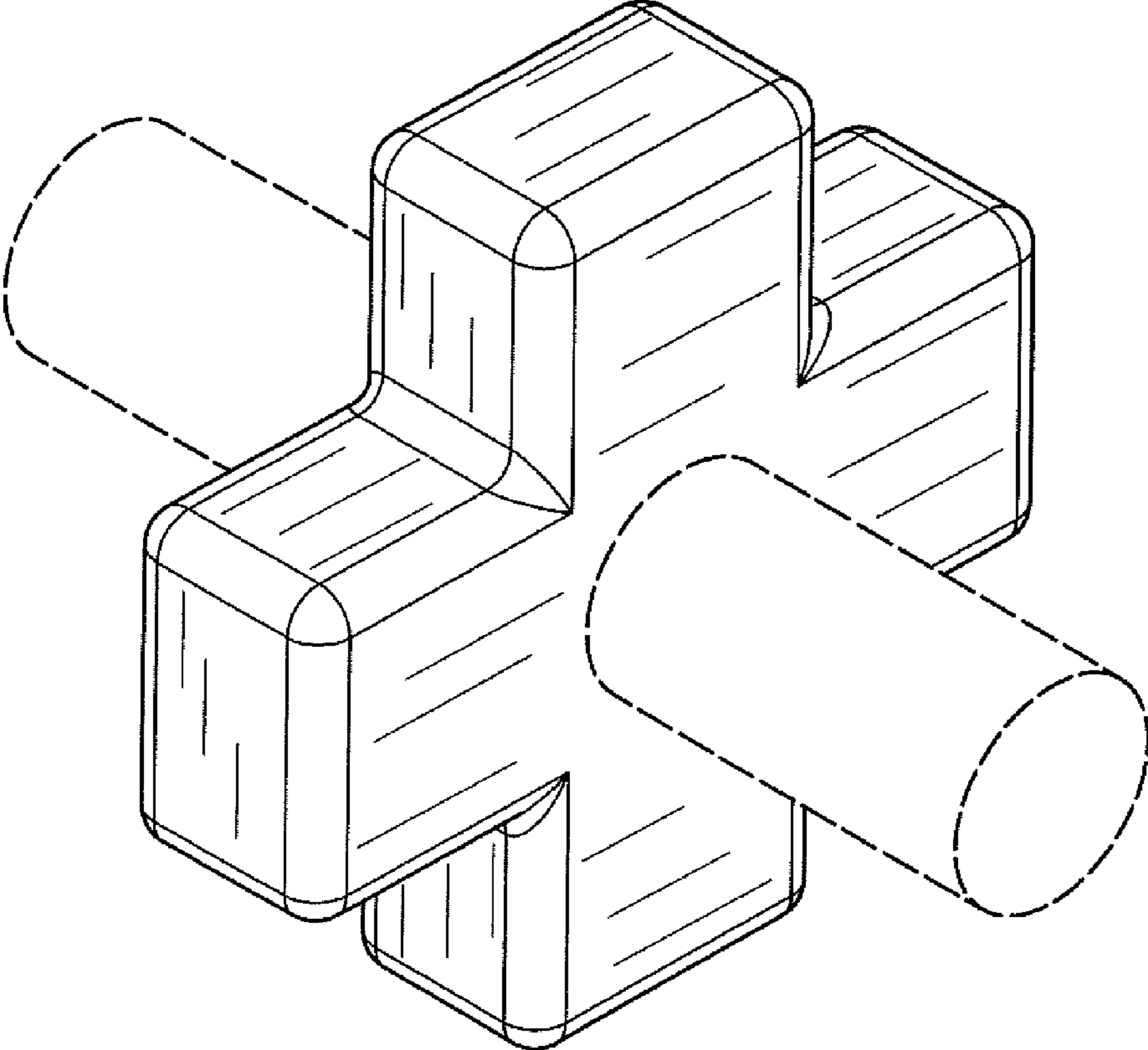


FIG. 3

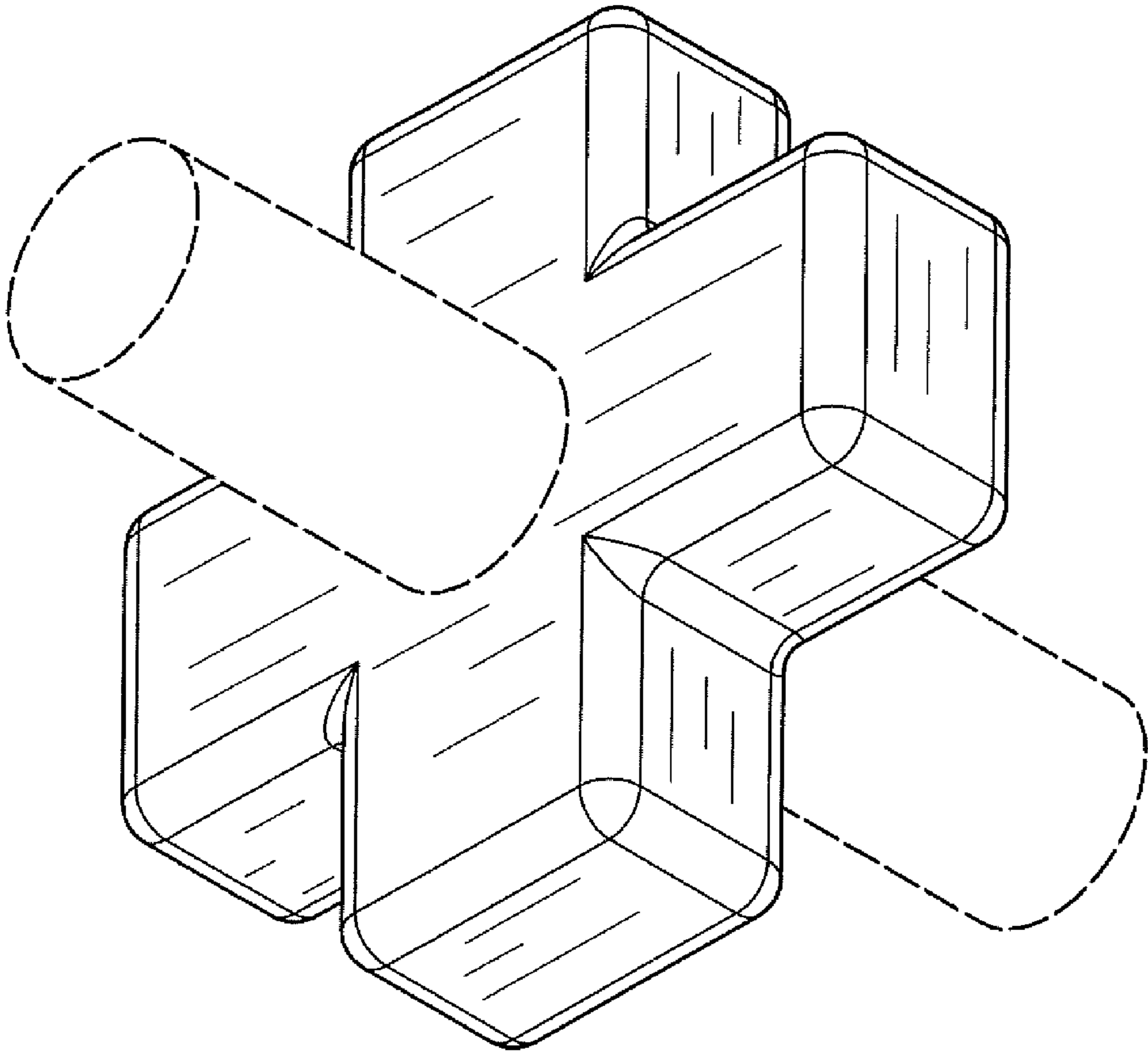


FIG. 4

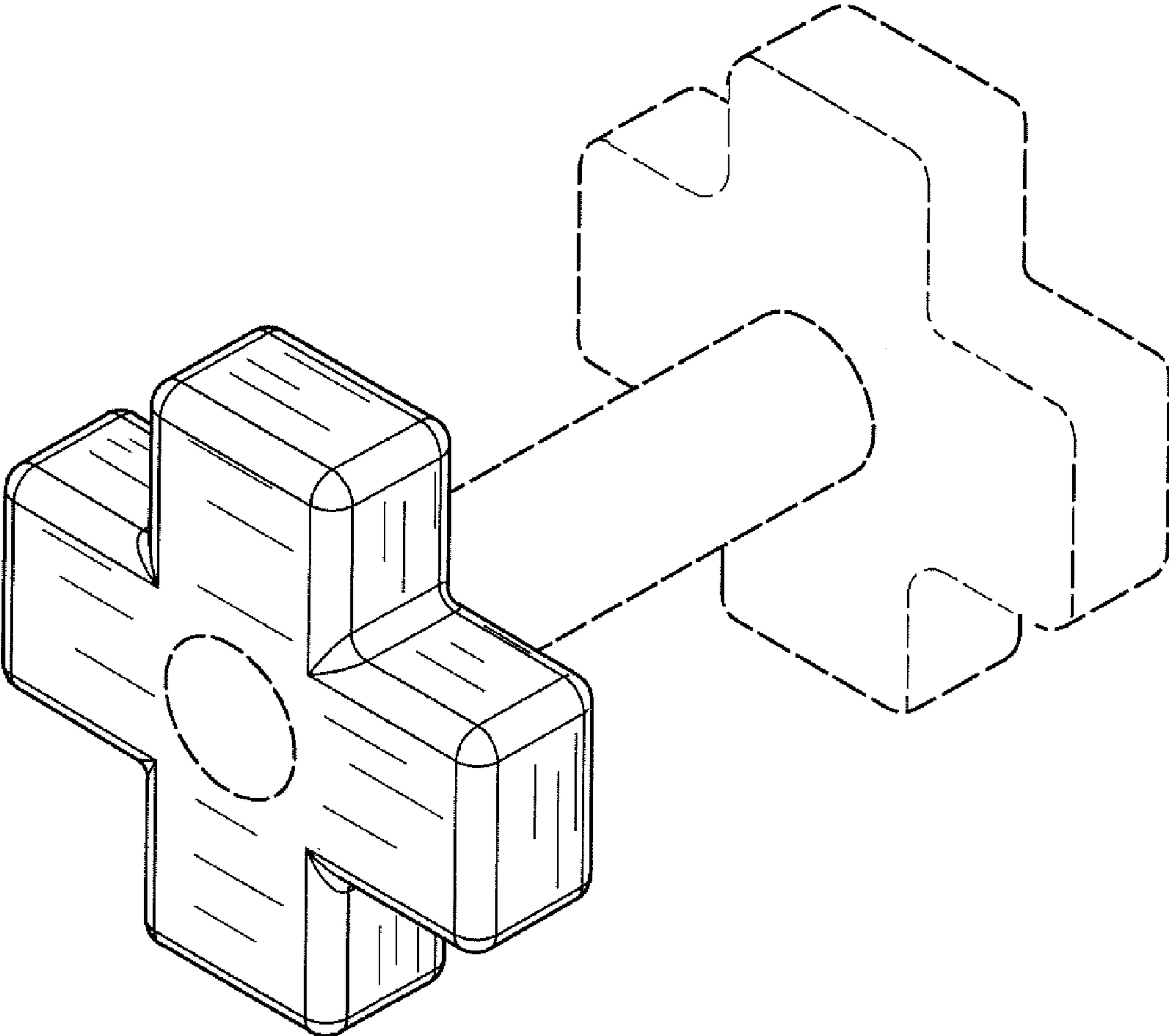


FIG. 5