



US00D688756S

(12) **United States Design Patent**  
**Wauldron et al.**

(10) **Patent No.:** **US D688,756 S**  
(45) **Date of Patent:** **\*\* Aug. 27, 2013**

(54) **COMBINATION PERSONAL MASSAGER AND EXERCISER DEVICE**

(75) Inventors: **James T. Wauldron**, St. Augustine, FL (US); **Joseph J. Perazza**, Grosse Pointe, MI (US)

(73) Assignee: **Miracle Roller Inc.**, St. Augustine, FL (US)

(\*\*) Term: **14 Years**

(21) Appl. No.: **29/419,758**

(22) Filed: **May 1, 2012**

(51) **LOC (9) Cl.** ..... **21-02**

(52) **U.S. Cl.**  
USPC ..... **D21/662; D24/211**

(58) **Field of Classification Search**  
USPC ..... D21/662, 679, 680, 684, 686, 692, D21/694; 482/93, 95, 96, 104-110, 120, 482/124, 132, 140-142, 145; D24/188, 200, D24/211; 601/118, 120

See application file for complete search history.

(56) **References Cited**

U.S. PATENT DOCUMENTS

472,572	A	4/1892	Forest	
718,594	A *	1/1903	Bailey	601/120
1,581,248	A *	4/1926	Thompson	601/120
1,609,544	A *	12/1926	Hamersley et al.	601/120
1,611,811	A	12/1926	Brickey	
1,728,368	A *	9/1929	Saxer	601/20
1,731,900	A	10/1929	Jordan	
1,882,490	A	10/1932	Falck	
D114,731	S *	5/1939	Tresenberg	D24/211
2,286,324	A	6/1942	Wentz	
2,307,554	A *	1/1943	Wettlaufer	601/72
2,417,744	A *	3/1947	Eldredge et al.	601/120
2,461,413	A	2/1949	Dirand	
2,628,611	A *	2/1953	Wagner	601/120

3,419,268	A *	12/1968	Bellet	482/132
3,664,334	A *	5/1972	O'Neil	601/120
3,672,356	A	6/1972	Possick	
D224,935	S *	10/1972	Winger	D21/662
3,847,144	A	11/1974	Wright	
4,002,163	A	1/1977	Jackson, Jr.	
D248,493	S	7/1978	Moncrief	
D271,051	S *	10/1983	McCoy et al.	D24/211
4,945,900	A	8/1990	Masuda	
5,044,626	A *	9/1991	Parker, Jr.	482/44
5,123,406	A	6/1992	Masuda	
5,364,338	A	11/1994	Terashima	
D371,202	S *	6/1996	Zajas et al.	D24/211
5,531,666	A	7/1996	Hung	
5,575,760	A	11/1996	Masuda	
5,577,996	A	11/1996	Gardner et al.	
D385,601	S *	10/1997	Uen	D21/679
5,728,050	A	3/1998	Lin	
5,830,161	A	11/1998	Cosmano	
D418,227	S *	12/1999	O'Connor	D24/211
6,135,972	A	10/2000	Kuo	
D456,864	S *	5/2002	Dantolan	D21/684
6,878,124	B1	4/2005	Crowe	
7,837,603	B1 *	11/2010	Carnell, Sr.	482/132
D648,034	S	11/2011	Rice	

(Continued)

*Primary Examiner* — Susan E Krakower

(74) *Attorney, Agent, or Firm* — Gifford, Krass, Sprinkle, Anderson & Citkowski, P.C.

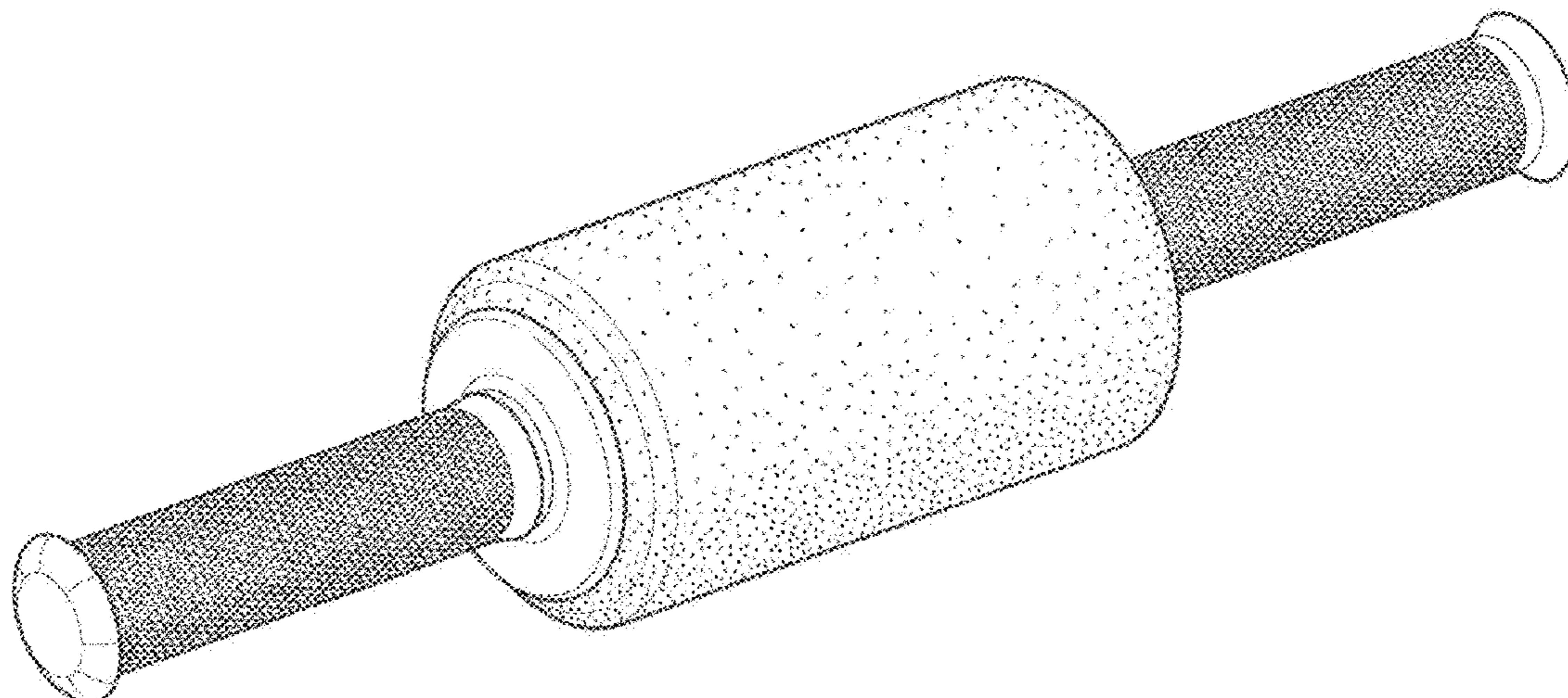
(57) **CLAIM**

The ornamental design for a combination personal massager and exerciser device, as shown and described.

**DESCRIPTION**

FIG. 1 is a perspective view of a combination personal massager and exerciser device showing the present design; FIG. 2 is a front view of the present design; and, FIG. 3 is a right side view of the present design, the left side view being a mirror image thereof.

**1 Claim, 1 Drawing Sheet**



(56)

**References Cited**

U.S. PATENT DOCUMENTS

D650,487 S 12/2011 Briscoe  
8,147,391 B1 \* 4/2012 Hill ..... 482/141  
D669,141 S \* 10/2012 MacColl et al. .... D21/662

2006/0142677 A1 6/2006 Perez  
2008/0103421 A1 5/2008 Nicholson  
2011/0245741 A1\* 10/2011 L'Homme et al. .... 601/120  
2011/0313333 A1 12/2011 Nicholson

\* cited by examiner

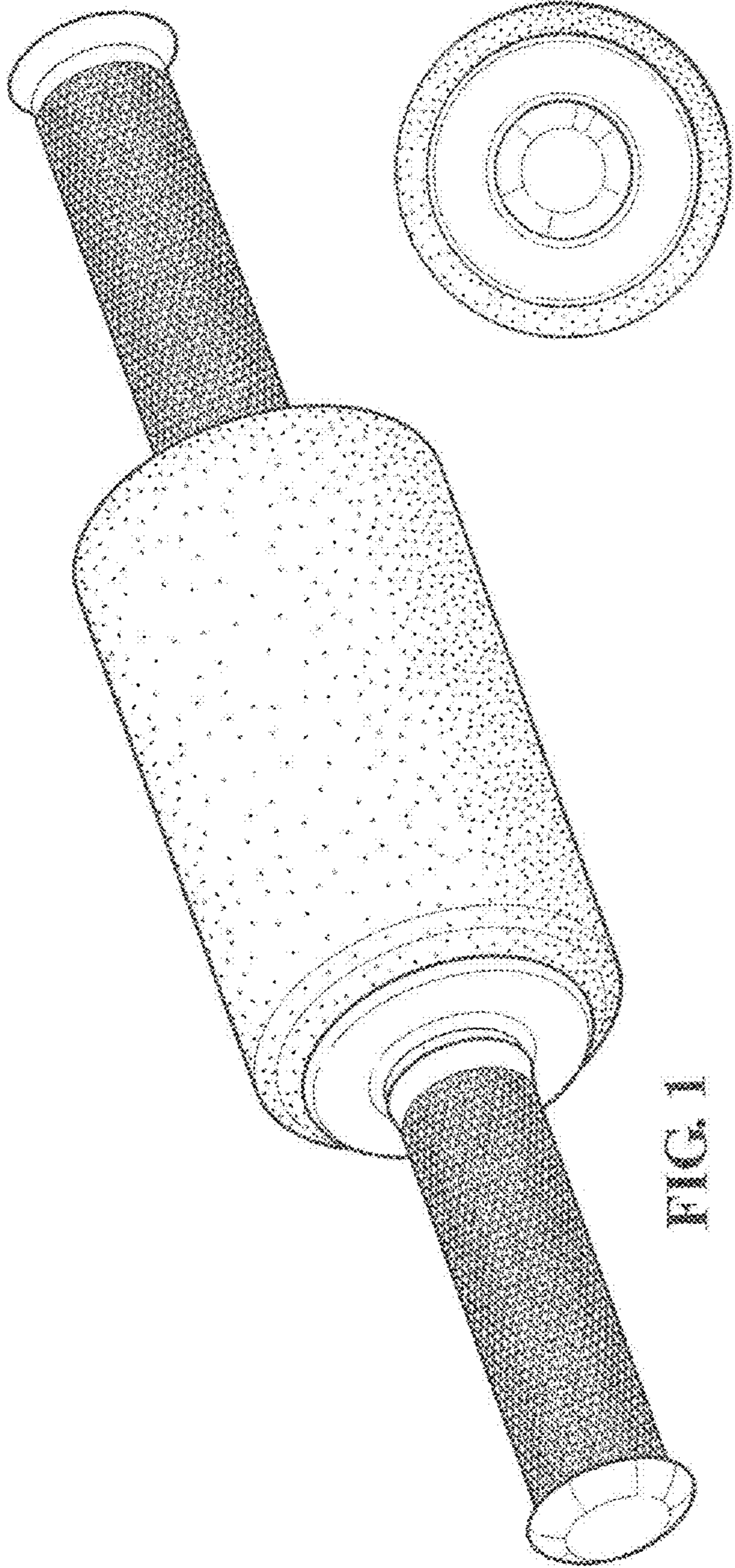


FIG. 1

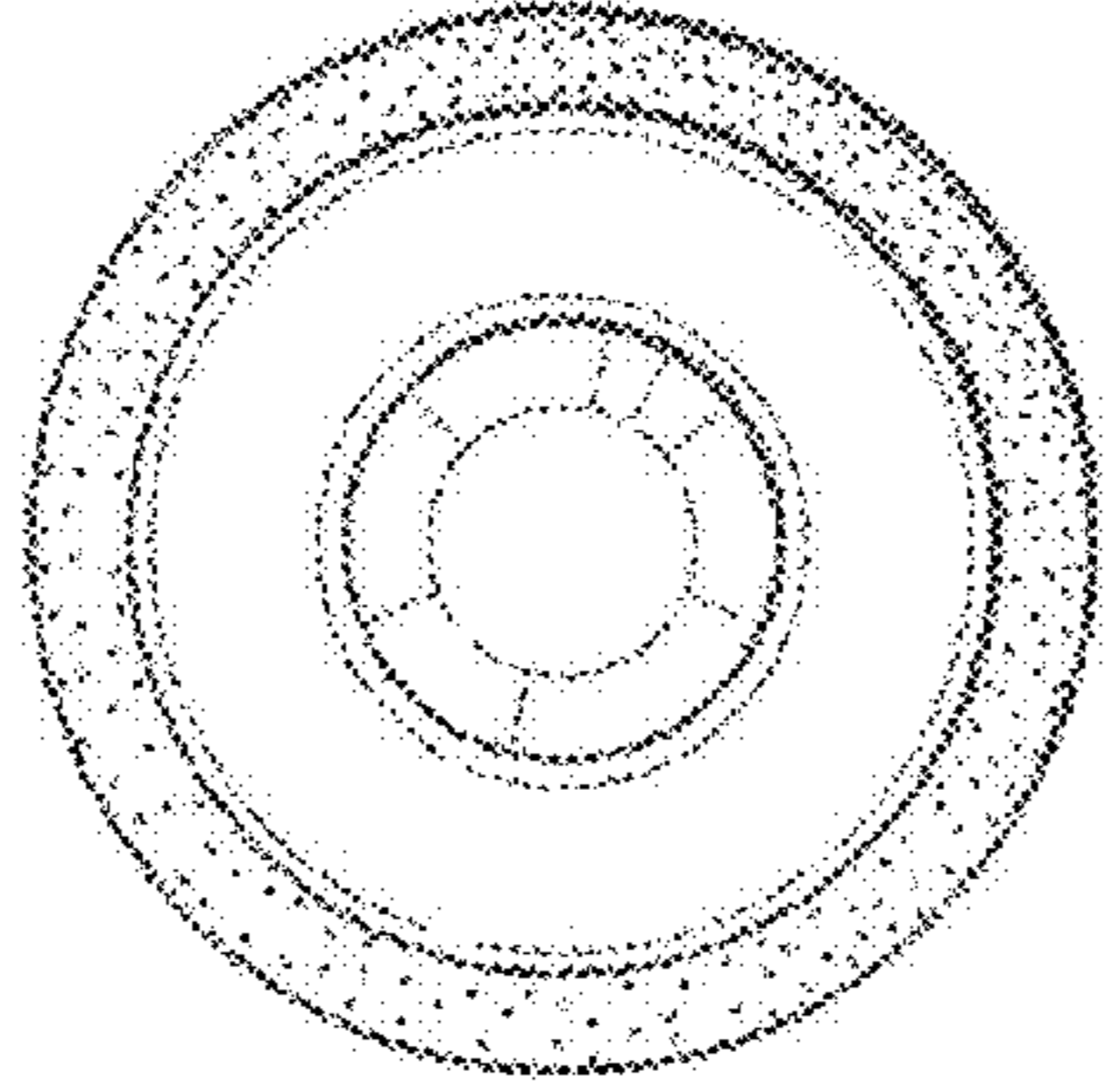


FIG. 3

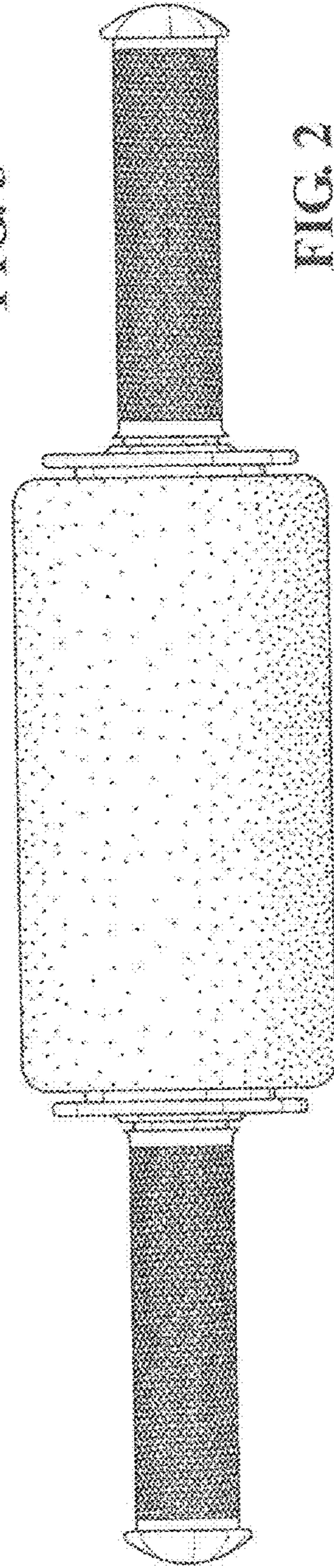


FIG. 2