



US00D688755S

(12) **United States Design Patent**  
**Driessen**

(10) **Patent No.:** **US D688,755 S**

(45) **Date of Patent:** **\*\* Aug. 27, 2013**

(54) **FITNESS ARTICLE**

(75) Inventor: **Erik Driessen**, SL Gouda (NL)

(73) Assignee: **Intellect B.V.**, Apeldoorn (NL)

(\*\*) Term: **14 Years**

(21) Appl. No.: **29/417,874**

(22) Filed: **Apr. 10, 2012**

(30) **Foreign Application Priority Data**

Oct. 11, 2011 (EM) ..... 001930041-0001

(51) **LOC (9) Cl.** ..... **21-02**

(52) **U.S. Cl.**  
USPC ..... **D21/662; D21/680**

(58) **Field of Classification Search**  
USPC ..... D21/662, 678, 680–682, 692, 694;  
482/50, 92–94, 98, 106–108, 142  
See application file for complete search history.

(56) **References Cited**

**U.S. PATENT DOCUMENTS**

D203,837 S *	2/1966	James	.....	D21/681
D216,517 S *	1/1970	Dorn	.....	D21/681
3,901,503 A *	8/1975	Klose	.....	482/93
5,573,484 A *	11/1996	Carpenter	.....	482/108
D432,602 S *	10/2000	Savage	.....	D21/681
D439,290 S *	3/2001	Rojas et al.	.....	D21/681
D442,654 S *	5/2001	Buchanan	.....	D21/680
D474,517 S *	5/2003	Harms	.....	D21/681

7,198,591 B2 *	4/2007	Lien	.....	482/106
D606,133 S *	12/2009	Lien	.....	D21/681
D624,840 S *	10/2010	Behling	.....	D10/129
D643,075 S *	8/2011	Childs	.....	D21/680
D673,230 S *	12/2012	Qin	.....	D21/680

\* cited by examiner

*Primary Examiner* — Susan E Krakower

(74) *Attorney, Agent, or Firm* — Fross Zelnick Lehrman & Zissu, P.C.; Charles T. J. Weigell, Esq.

(57) **CLAIM**

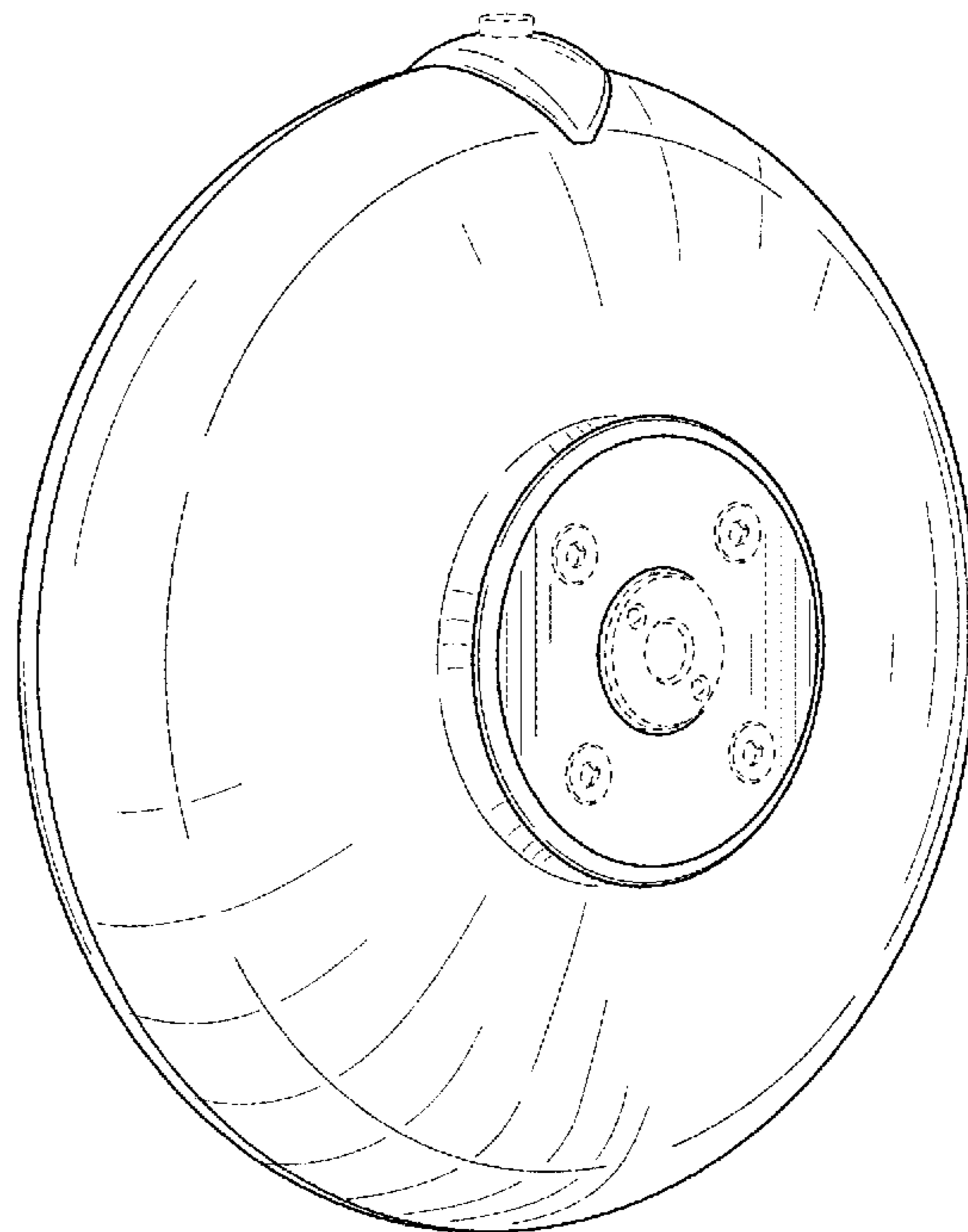
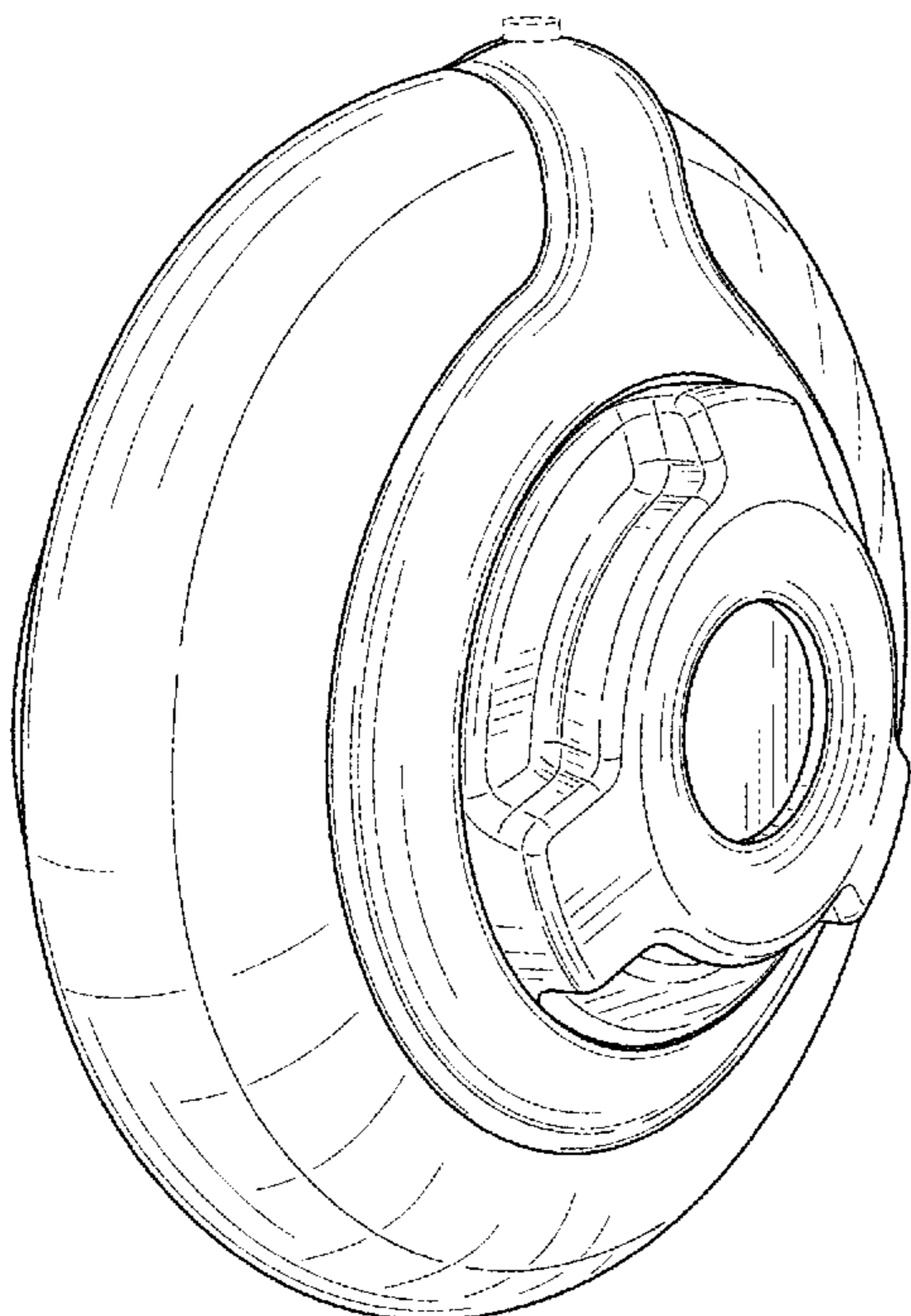
The ornamental design for a fitness article, as shown and described.

**DESCRIPTION**

FIG. 1 is a front view of a fitness article showing my new design;  
FIG. 2 is a top view of the fitness article shown in FIG. 1;  
FIG. 3 is a left side view of the fitness article shown in FIG. 1, the right side view being a mirror image thereof;  
FIG. 4 is a front perspective view of the fitness article shown in FIG. 1; and,  
FIG. 5 is a rear perspective view of the fitness article shown in FIG. 1.

The broken lines showing of the screws, rivets and top opening illustrates portions of the fitness article which forms no part of the claimed design.

**1 Claim, 3 Drawing Sheets**



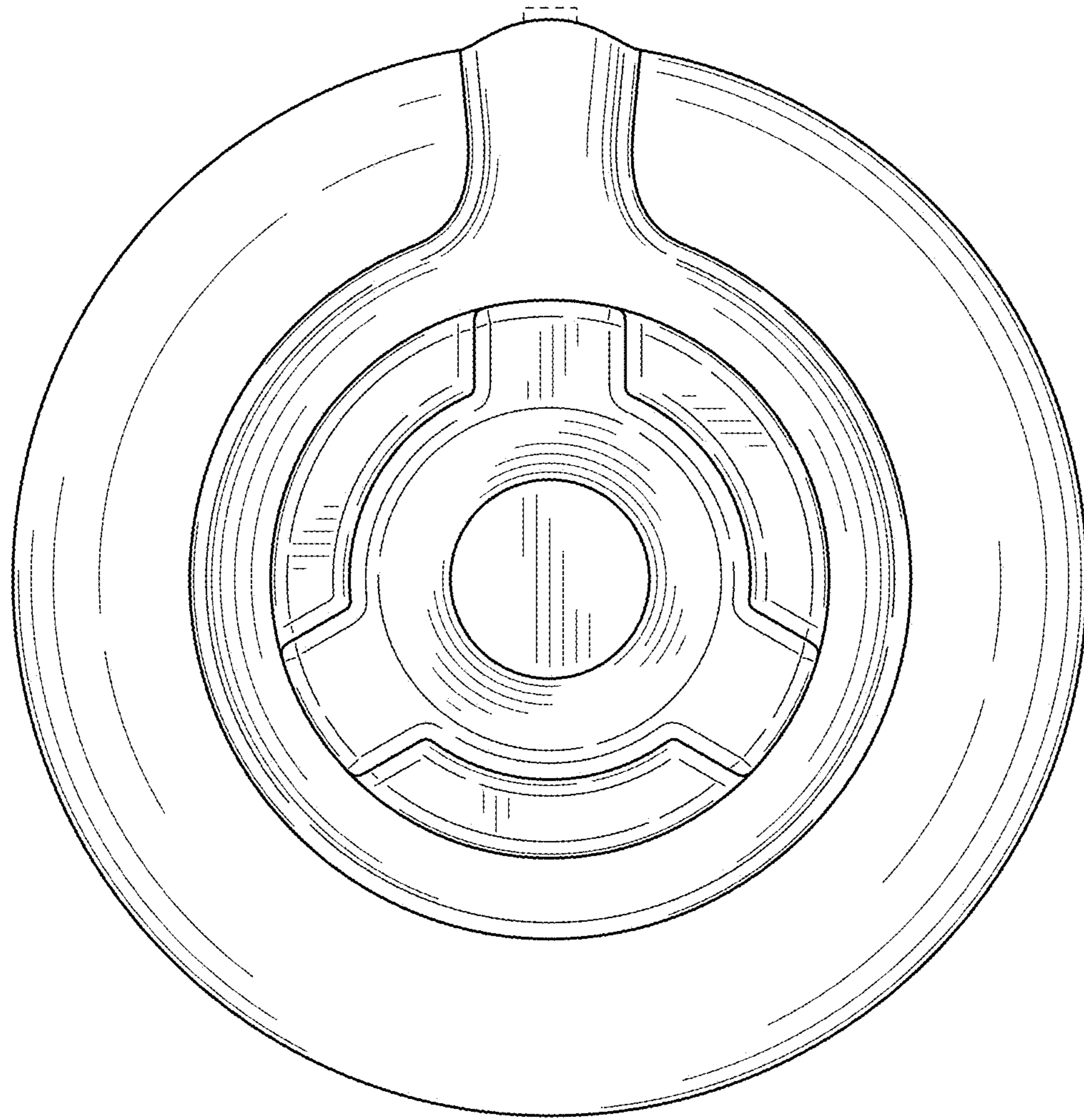


FIG. 1

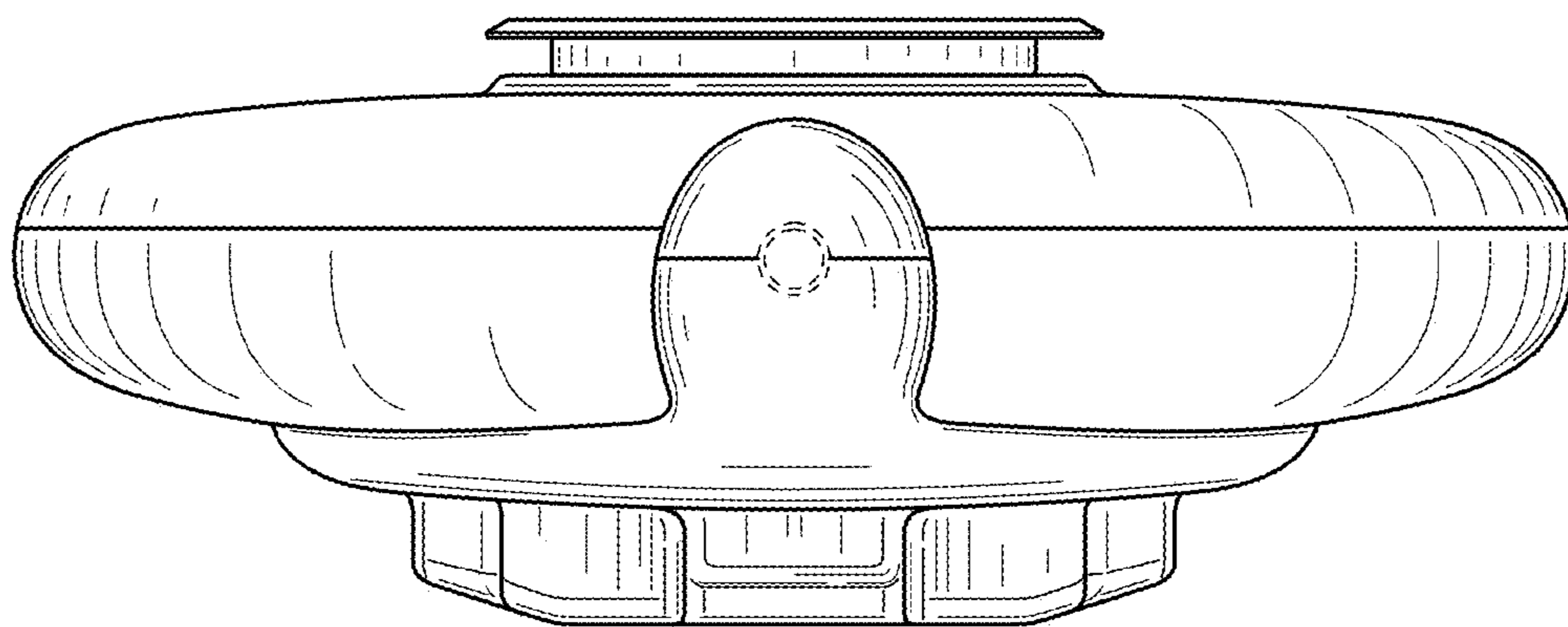


FIG. 2



FIG. 3

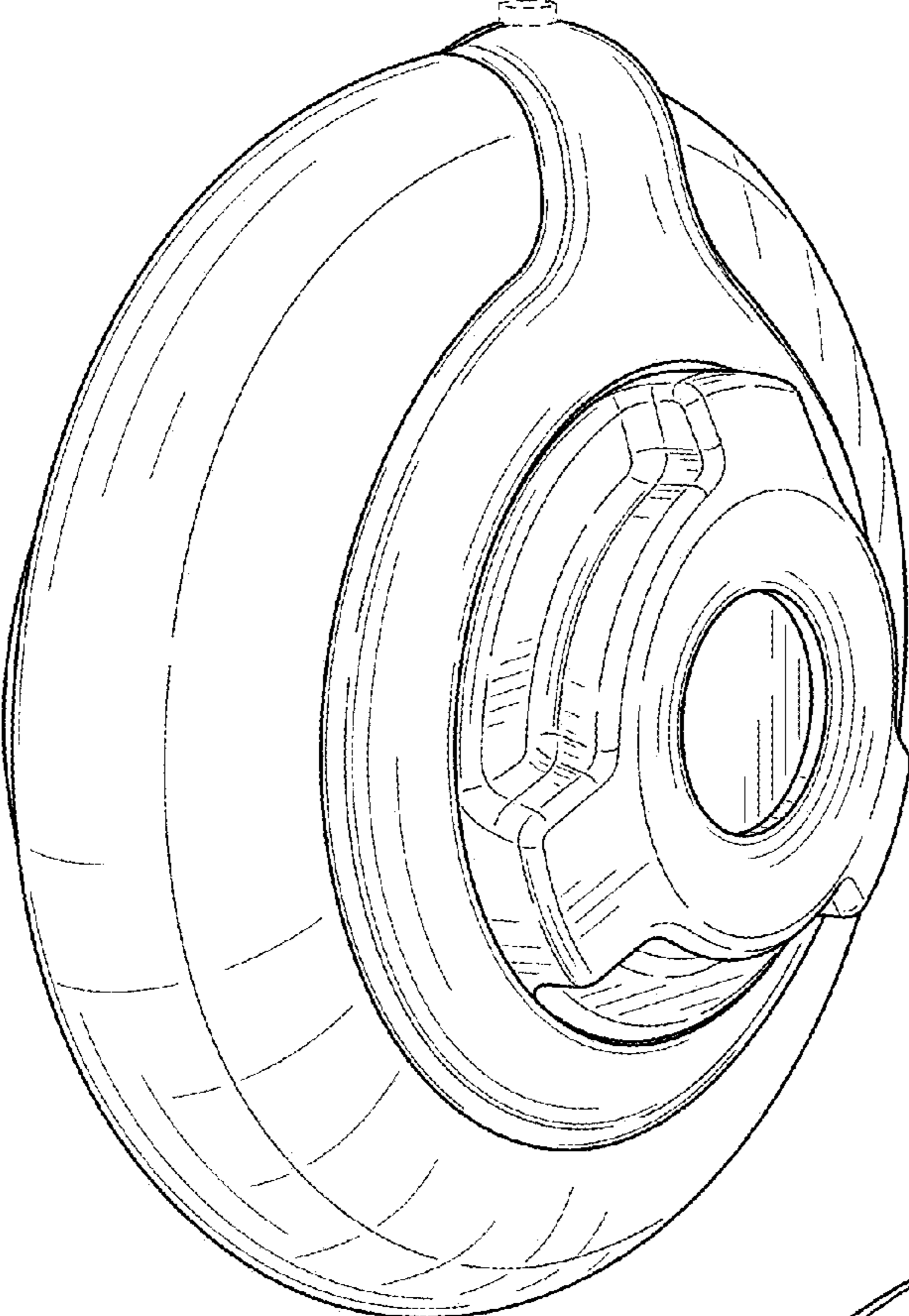


FIG. 4

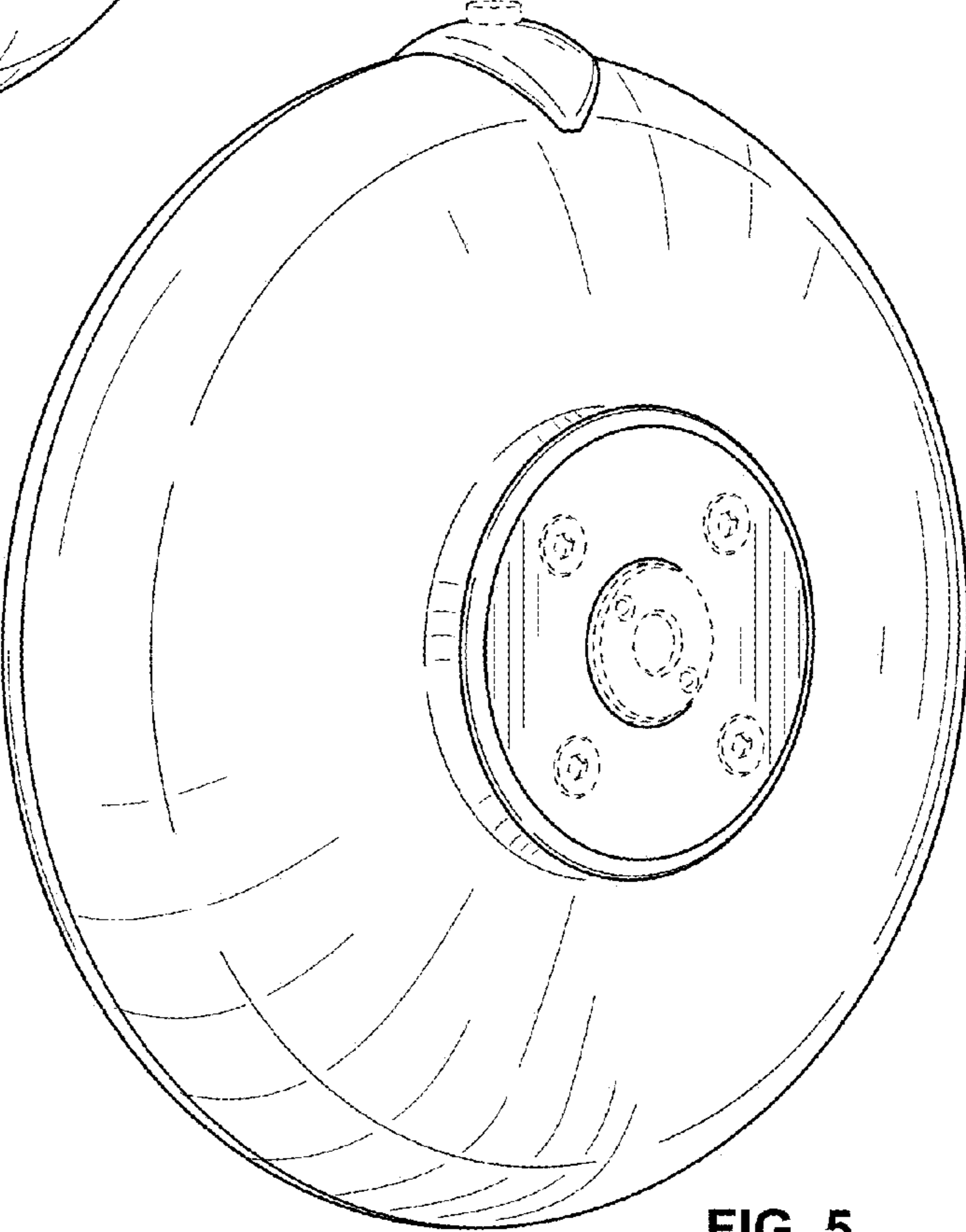


FIG. 5