



US00D688753S

(12) **United States Design Patent**
Holm

(10) **Patent No.:** **US D688,753 S**

(45) **Date of Patent:** **** Aug. 27, 2013**

(54) **BUILDING BLOCK FROM A TOY BUILDING SET**

(75) Inventor: **Louise Holm**, Aarhus (DK)

(73) Assignee: **LEGO A/S**, Billund (DK)

(**) Term: **14 Years**

(21) Appl. No.: **29/410,284**

(22) Filed: **Jan. 6, 2012**

(30) **Foreign Application Priority Data**

Jul. 11, 2011 (EM) 001284608

(51) **LOC (9) Cl.** **21-01**

(52) **U.S. Cl.**
USPC **D21/484**; D21/504

(58) **Field of Classification Search**
USPC D21/453, 484, 489, 490, 492, 493,
D21/504, 505, 564, 565, 802, 818;
446/168–174, 84, 89, 108, 112, 114, 116,
446/124–128, 429, 444–447; 463/58–69;
104/60, 69

See application file for complete search history.

(56) **References Cited**

U.S. PATENT DOCUMENTS

2,119,921 A * 6/1938 Levy 446/116
D295,646 S * 5/1988 Knudsen D21/492
D326,877 S * 6/1992 Andersen D21/503
D332,471 S * 1/1993 Rahbek D21/503
D672,402 S * 12/2012 Macadam D21/491

FOREIGN PATENT DOCUMENTS

HK 1100560.0M002 4/2011

* cited by examiner

Primary Examiner — Cynthia M Chin

(74) *Attorney, Agent, or Firm* — Day Pitney LLP

(57) **CLAIM**

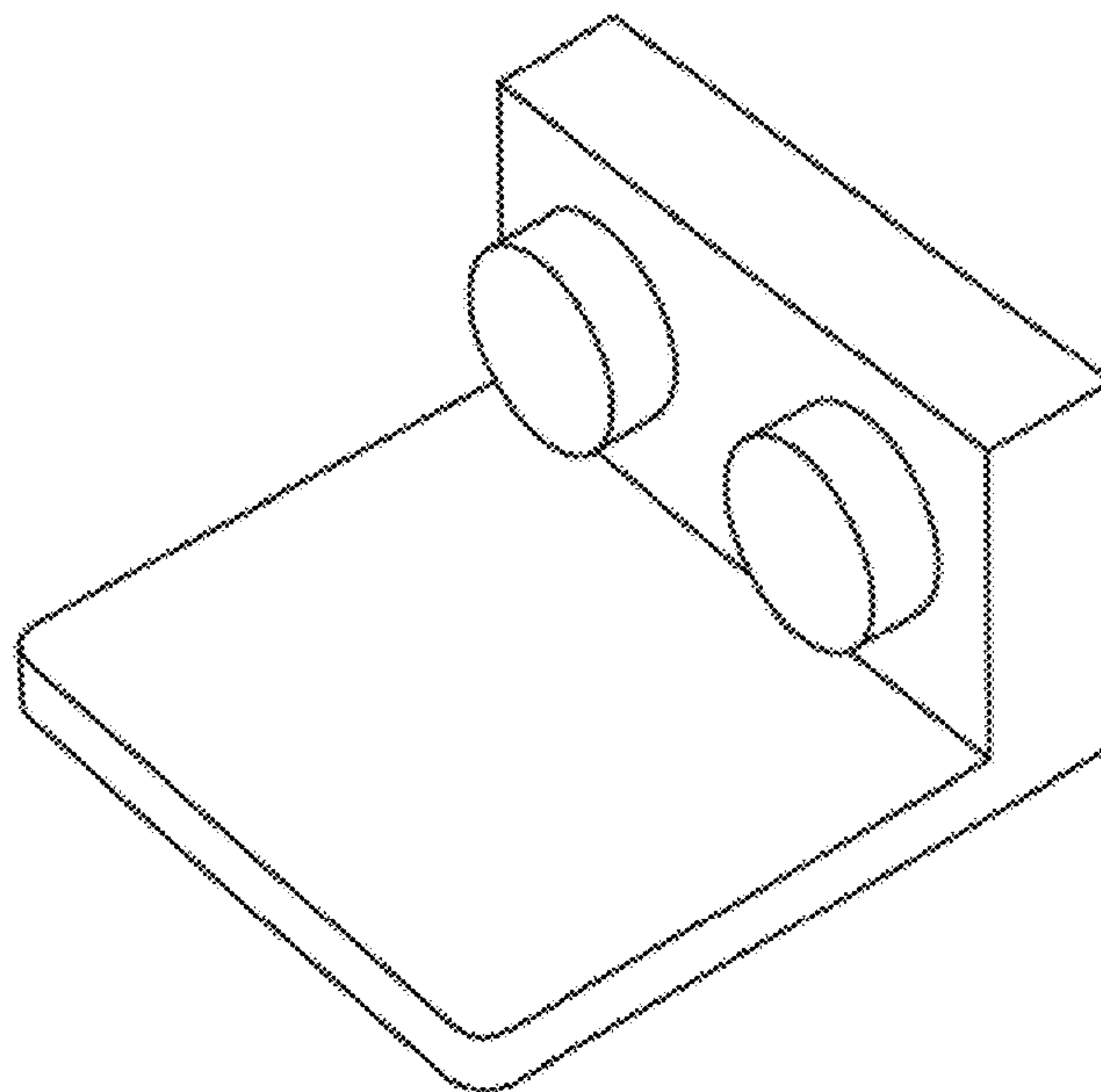
The ornamental design for a building block from a toy building set, as shown and described.

DESCRIPTION

FIG. 1 is a top perspective view of my ornamental design for a building block from a toy building set; FIG. 2 is a top plan view thereof; FIG. 3 is a bottom plan view thereof; FIG. 4 is a front view thereof; FIG. 5 is a rear view thereof; FIG. 6 is a right side view thereof; and, FIG. 7 is a left side view thereof.

The broken lines in each of the figures are for environmental purposes only and form no part of the claimed design.

1 Claim, 7 Drawing Sheets



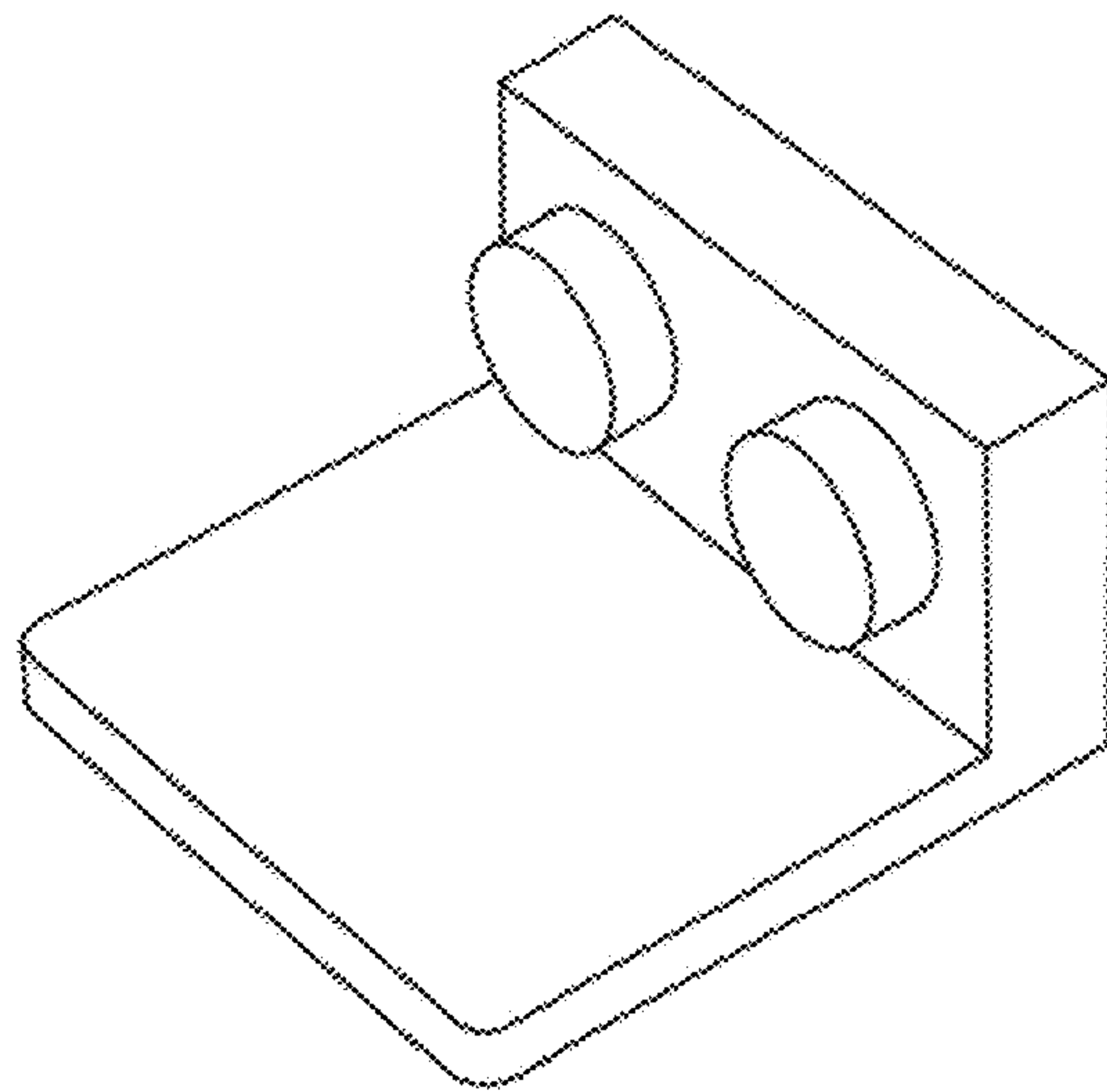


FIG. 1

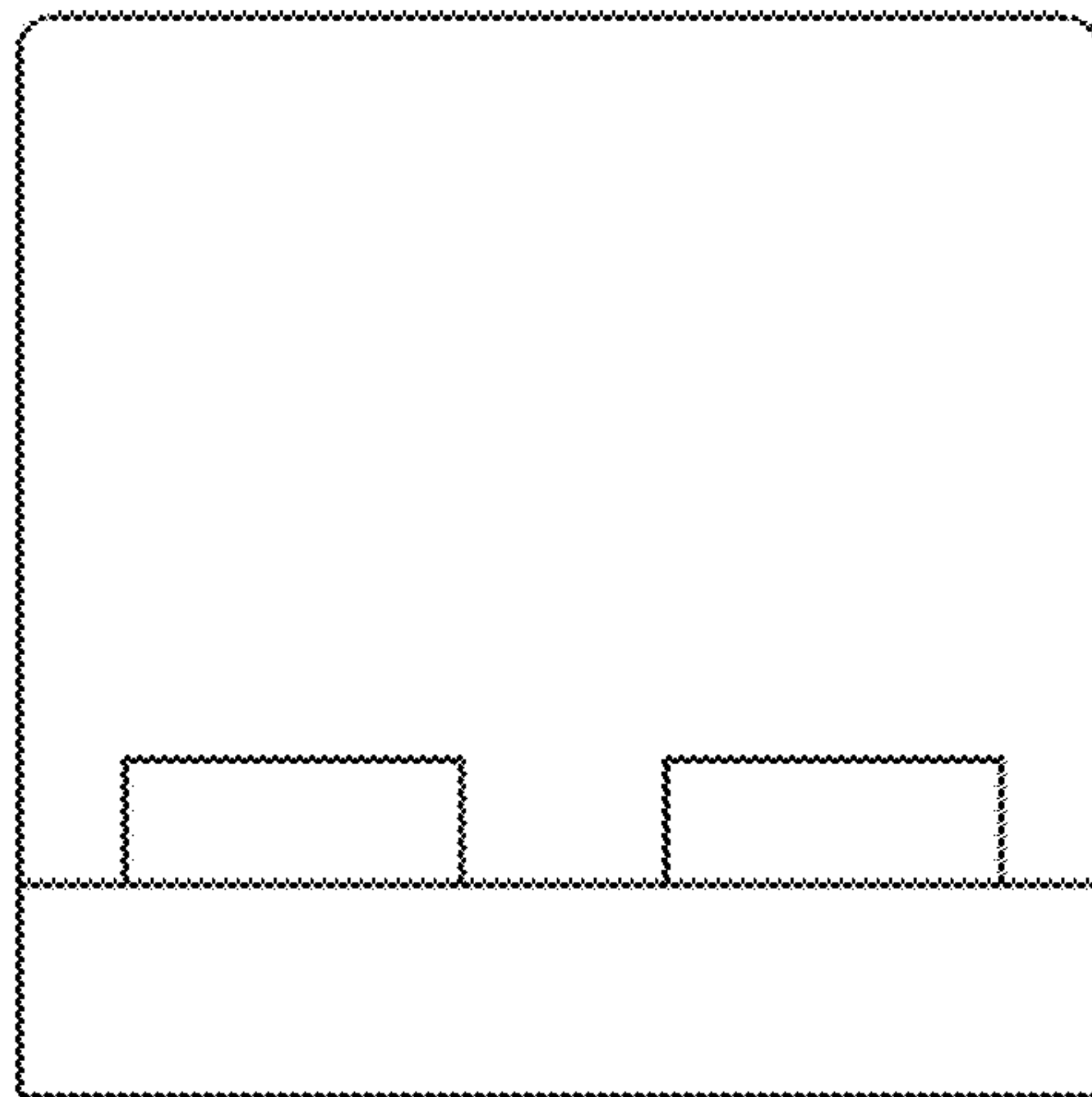


FIG. 2

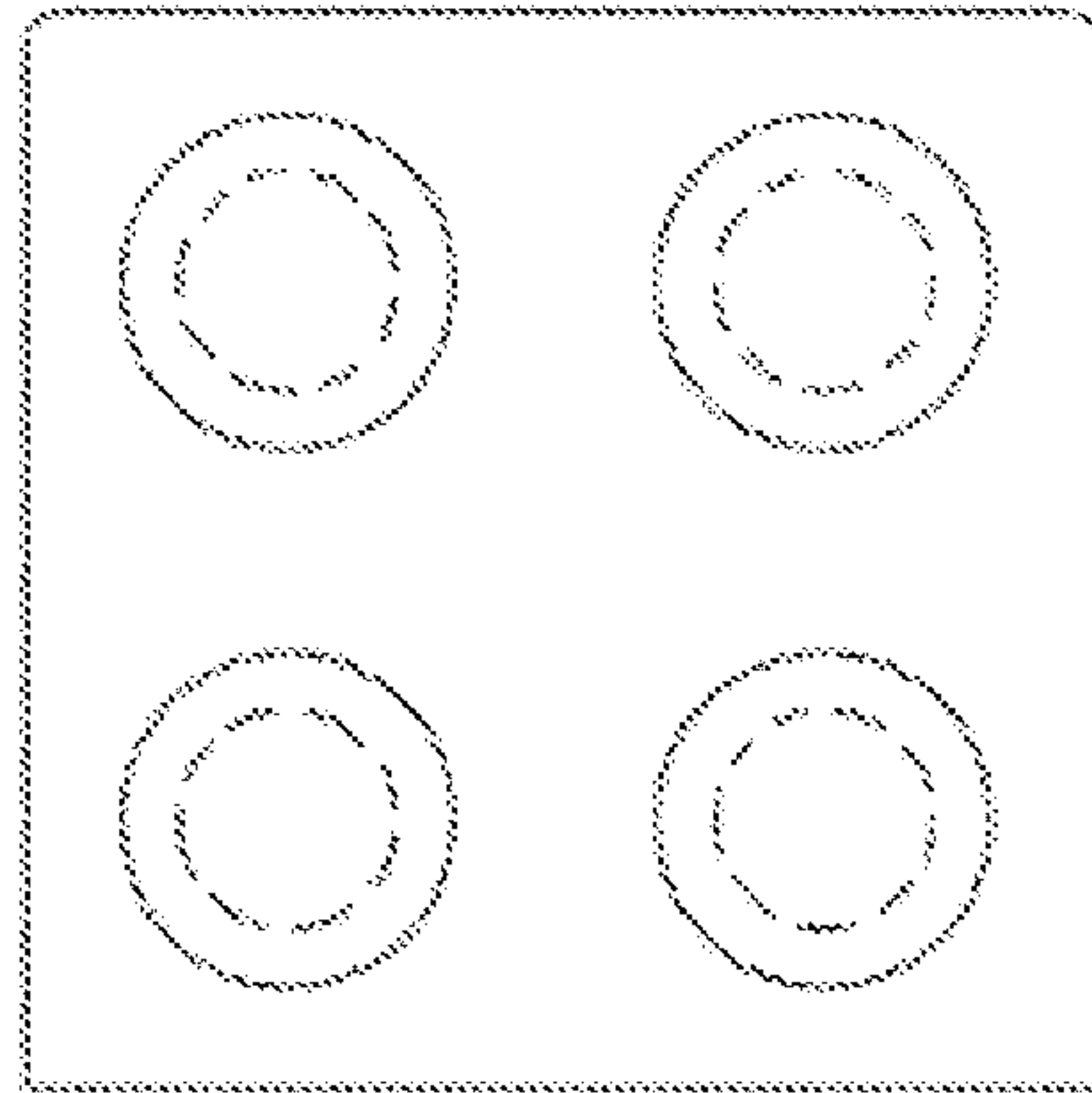


FIG. 3

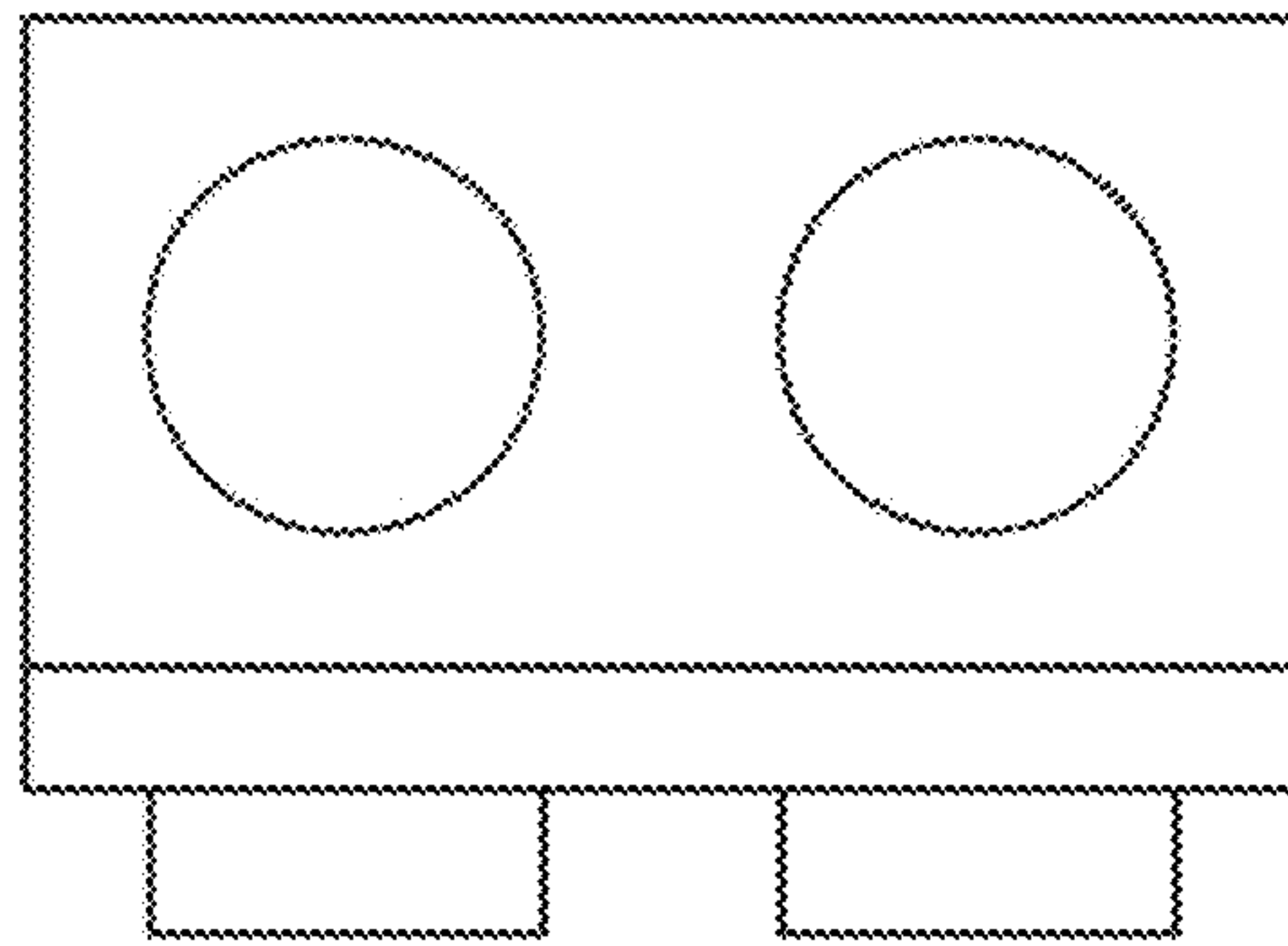


FIG. 4

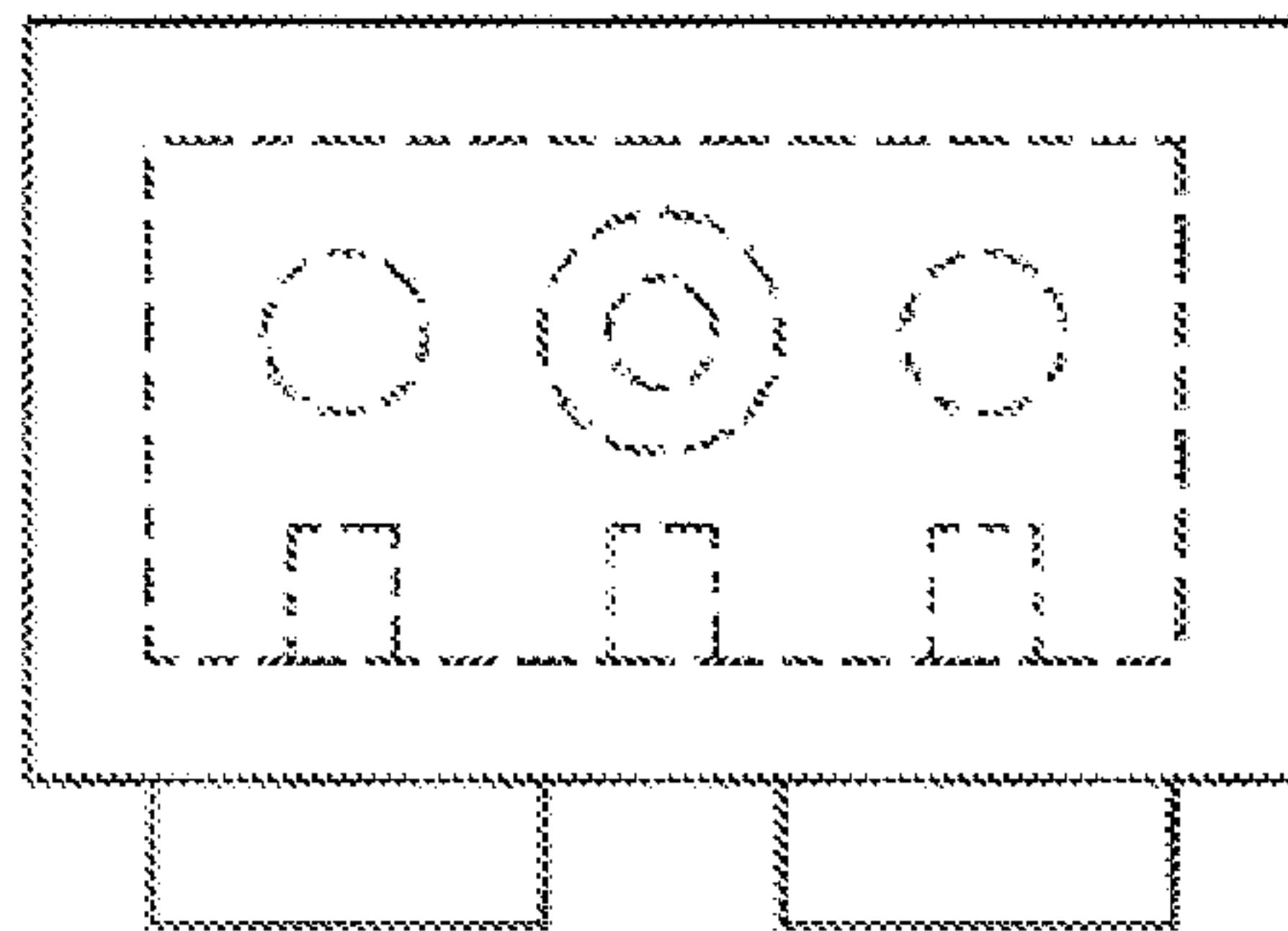


FIG. 5

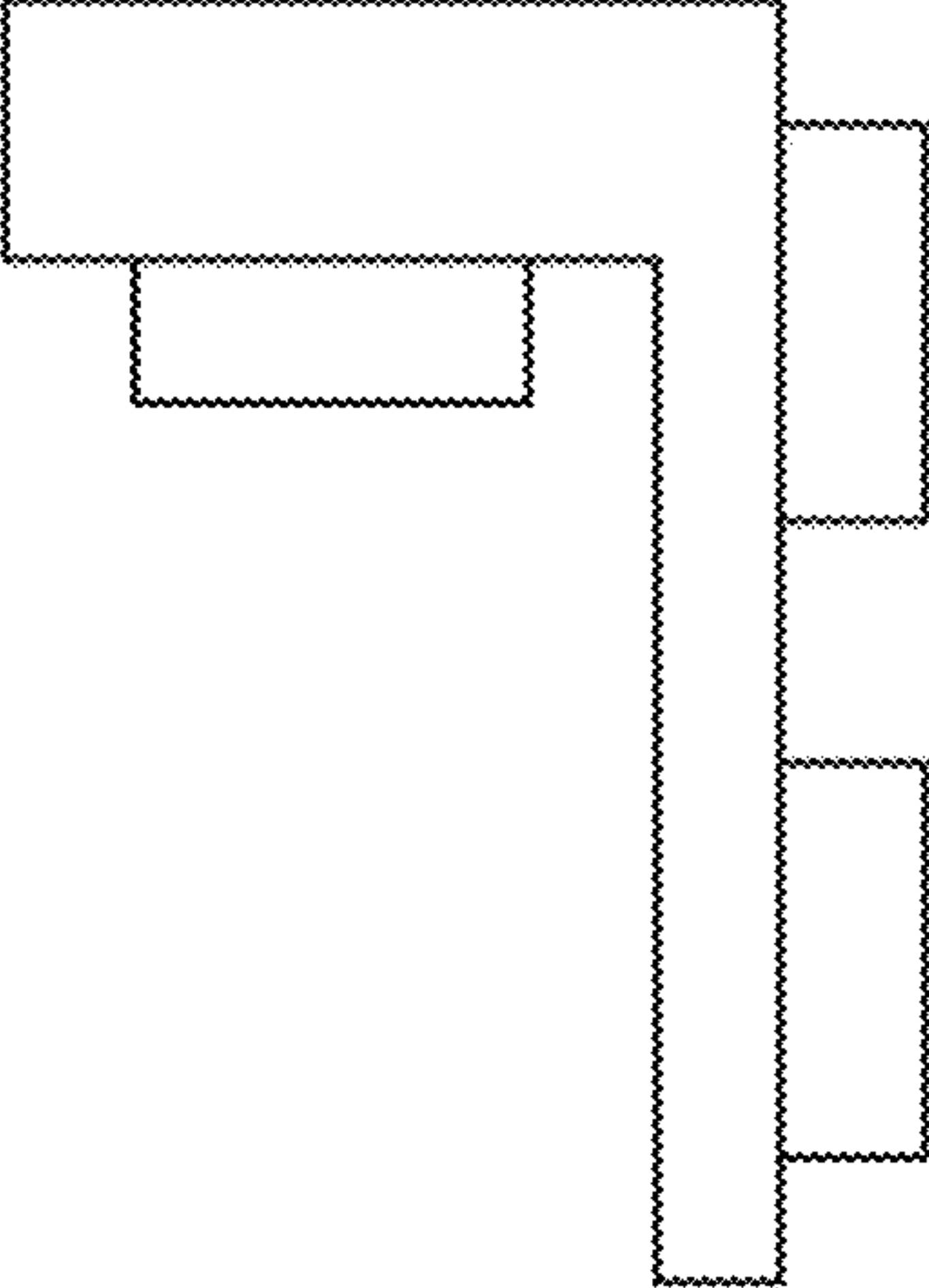


FIG. 6

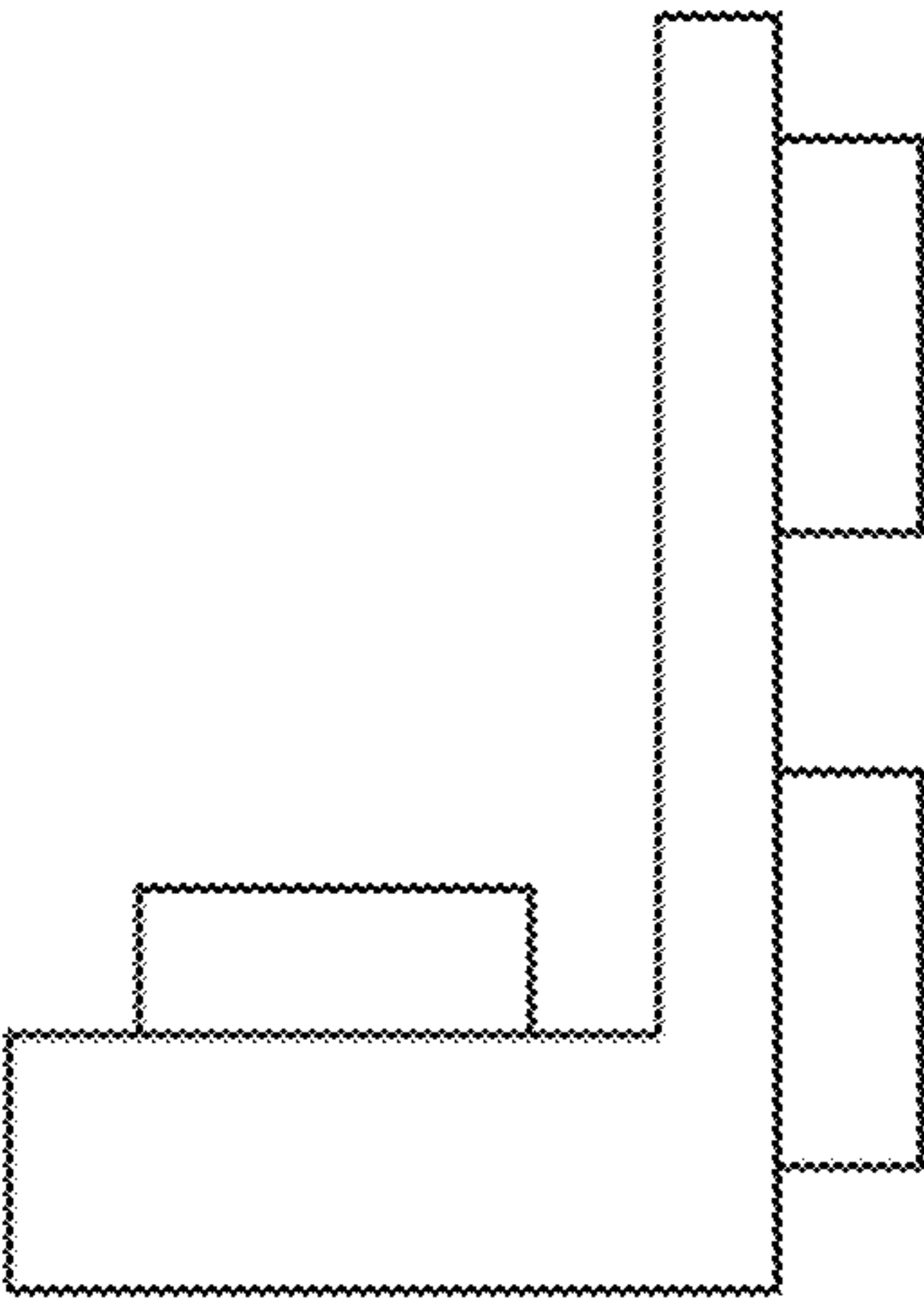


FIG. 7