



US00D688748S

(12) **United States Design Patent**  
**Nash et al.**

(10) **Patent No.:** **US D688,748 S**

(45) **Date of Patent:** **\*\* Aug. 27, 2013**

(54) **DISPENSER**

(71) Applicant: **3M Innovative Properties Company**,  
St. Paul, MN (US)

(72) Inventors: **James E. Nash**, Bloomington, MN (US);  
**Shaelyn D. Crutchley**, St. Paul, MN  
(US)

(73) Assignee: **3M Innovative Properties Company**,  
St. Paul, MN (US)

(\*\*) Term: **14 Years**

(21) Appl. No.: **29/445,476**

(22) Filed: **Feb. 12, 2013**

(51) **LOC (9) Cl.** ..... **19-02**

(52) **U.S. Cl.**  
USPC ..... **D19/86**

(58) **Field of Classification Search**  
USPC ..... D3/201, 206, 247; D6/515, 517,  
D6/518; D9/414, 432; D19/75, 78, 86, 90-92;  
206/37, 39, 39.5, 215, 233, 425; 221/282,  
221/283, 284, 285  
See application file for complete search history.

(56) **References Cited**

U.S. PATENT DOCUMENTS

1,463,210 A \* 7/1923 Harris ..... 206/425  
D175,859 S \* 10/1955 Sherman ..... D19/92  
D282,083 S \* 1/1986 Kier ..... D19/92

D284,777 S \* 7/1986 Anthony ..... D19/91  
D306,319 S \* 2/1990 Evenson ..... D19/77  
D307,036 S \* 4/1990 Evenson ..... D19/92  
4,951,968 A \* 8/1990 Adams ..... 281/45  
D438,252 S \* 2/2001 Trombly ..... D19/78  
D469,810 S \* 2/2003 Joss et al. .... D19/75  
D496,404 S \* 9/2004 Hurwitz ..... D19/92  
D587,759 S \* 3/2009 Fabiano ..... D19/86  
D630,868 S \* 1/2011 Annicelli ..... D6/457

\* cited by examiner

*Primary Examiner* — Elizabeth Albert

(74) *Attorney, Agent, or Firm* — Irina Hass

(57) **CLAIM**

The ornamental design for a dispenser, as shown and described.

**DESCRIPTION**

FIG. 1 is a perspective view showing the new design for a dispenser;

FIG. 2 is a right side view thereof, a left side view being a mirror image thereof;

FIG. 3 is a front view thereof;

FIG. 4 is a rear view thereof;

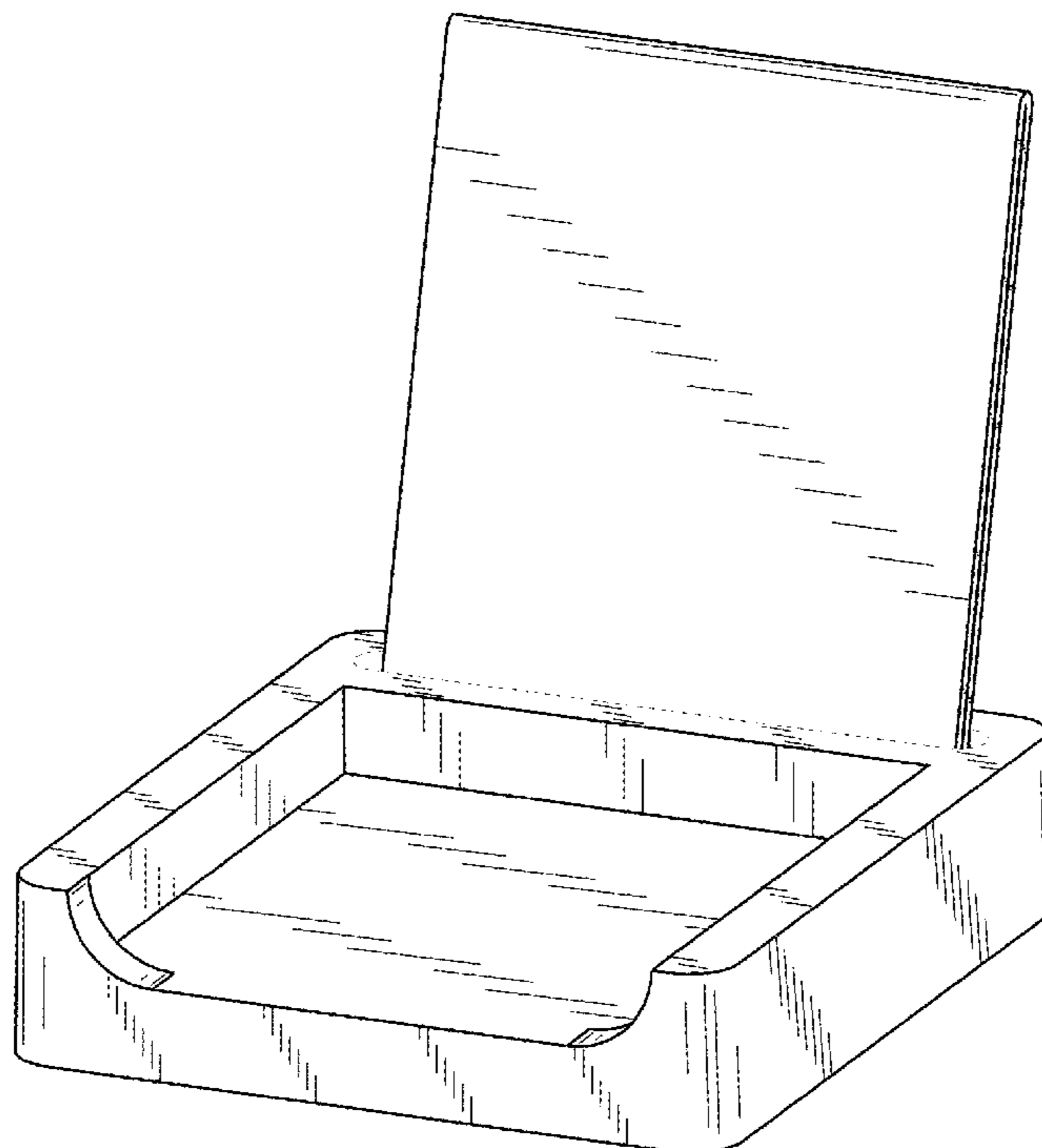
FIG. 5 is a top view thereof;

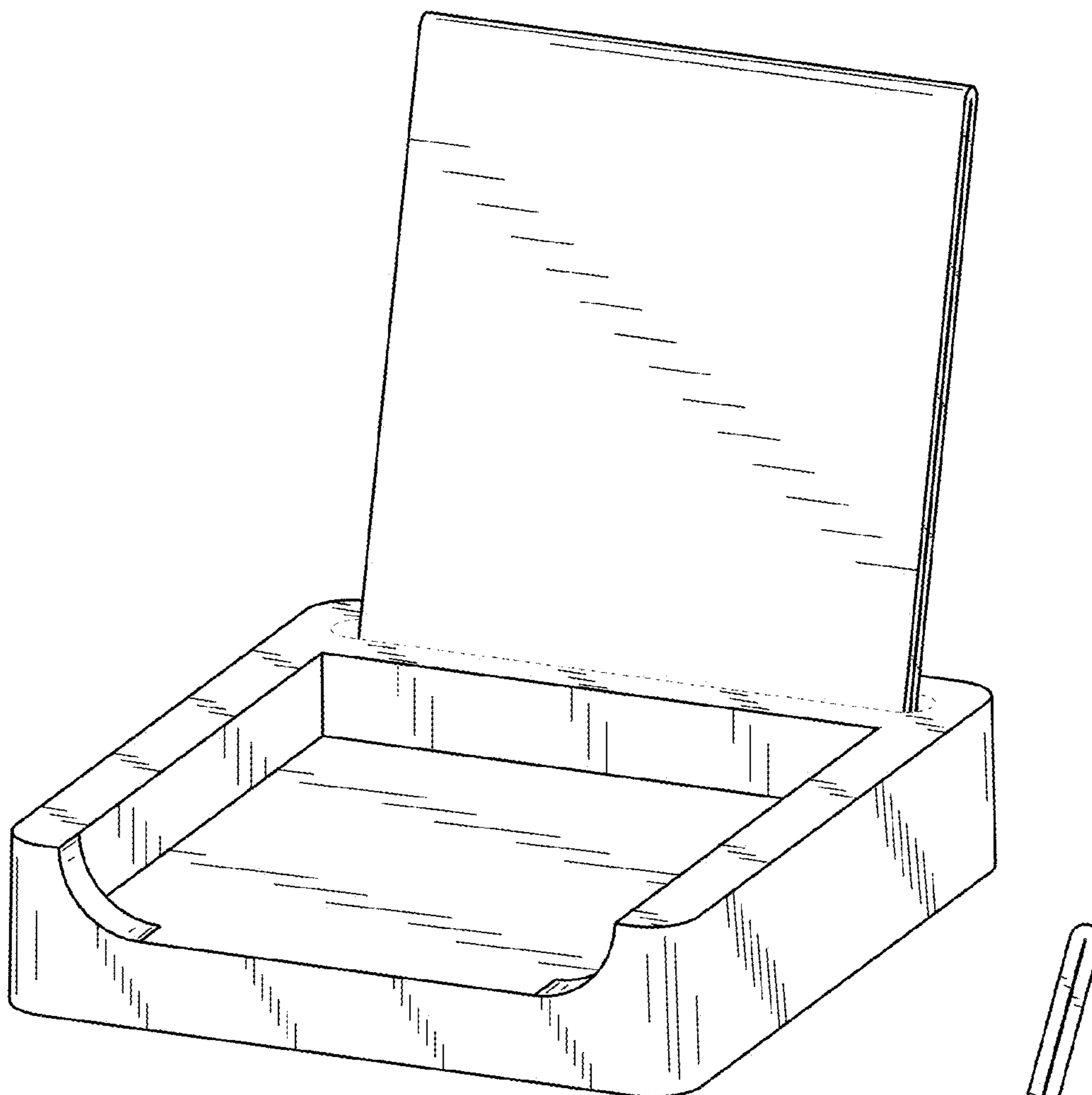
FIG. 6 is a bottom view thereof; and,

FIG. 7 is a perspective view thereof showing the dispenser with a note pad.

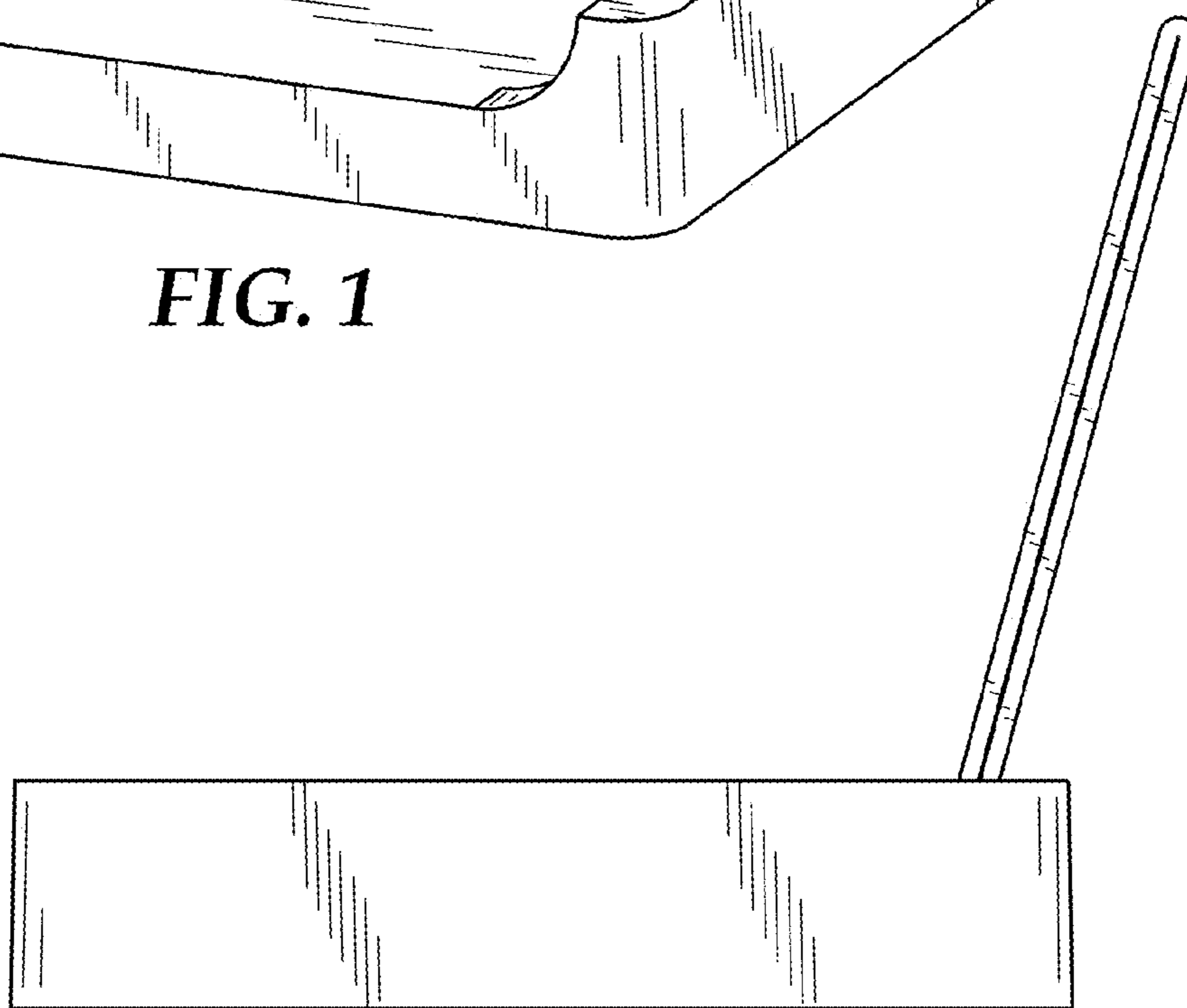
The broken lines in FIGS. 1-7 are included for the purpose of showing portions of the dispenser that form no part of the claimed design.

**1 Claim, 4 Drawing Sheets**

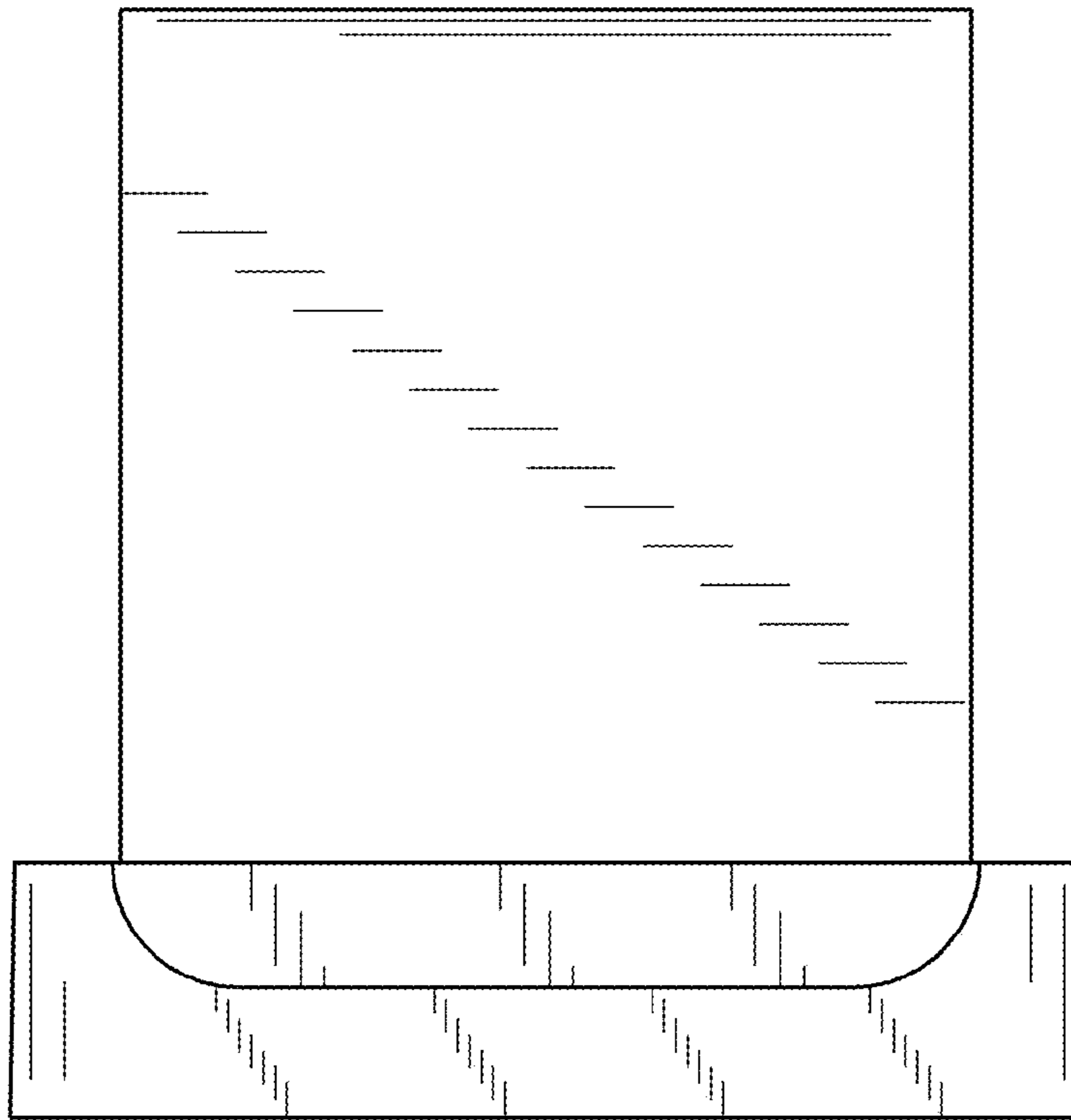




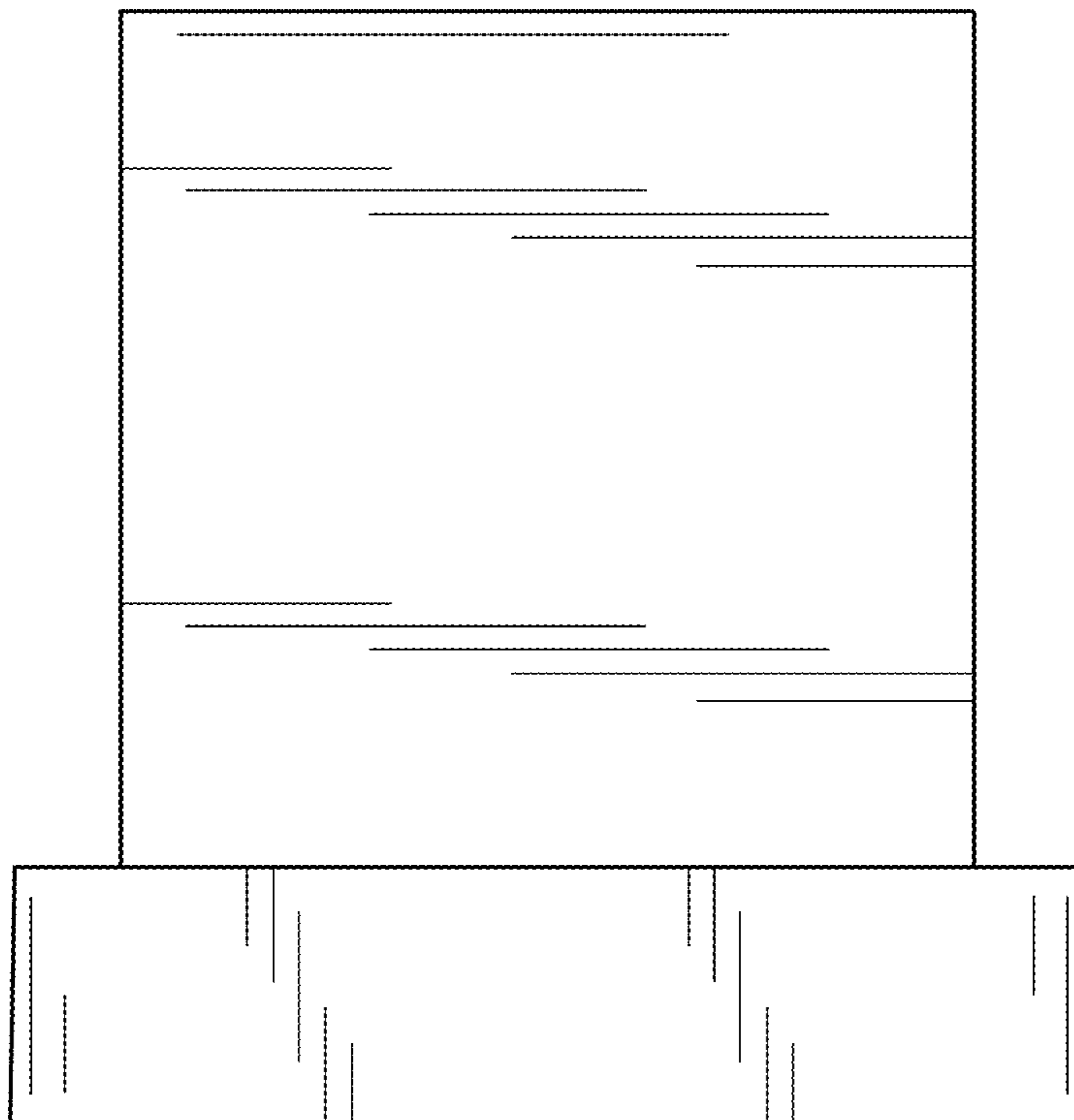
**FIG. 1**



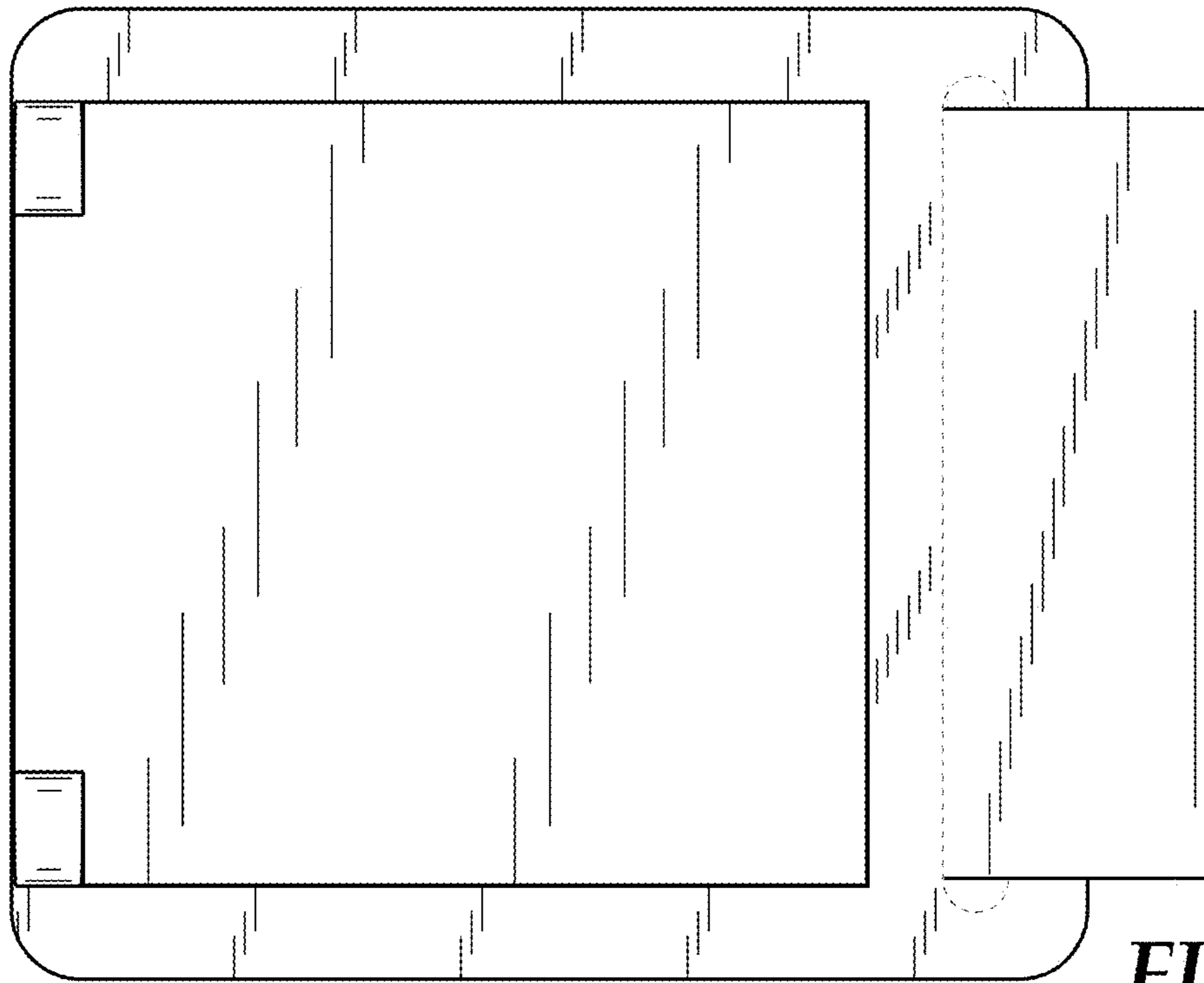
**FIG. 2**



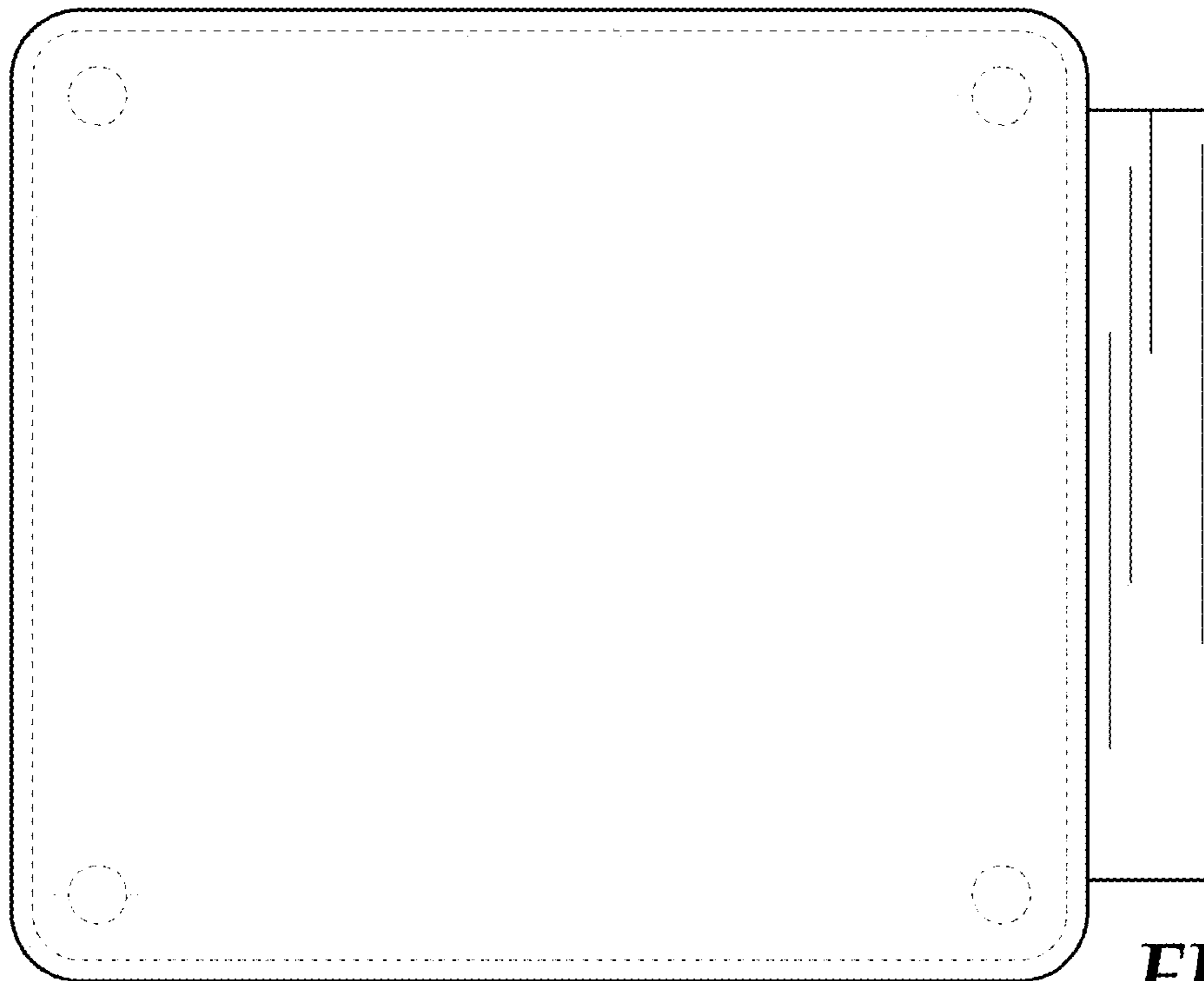
**FIG. 3**



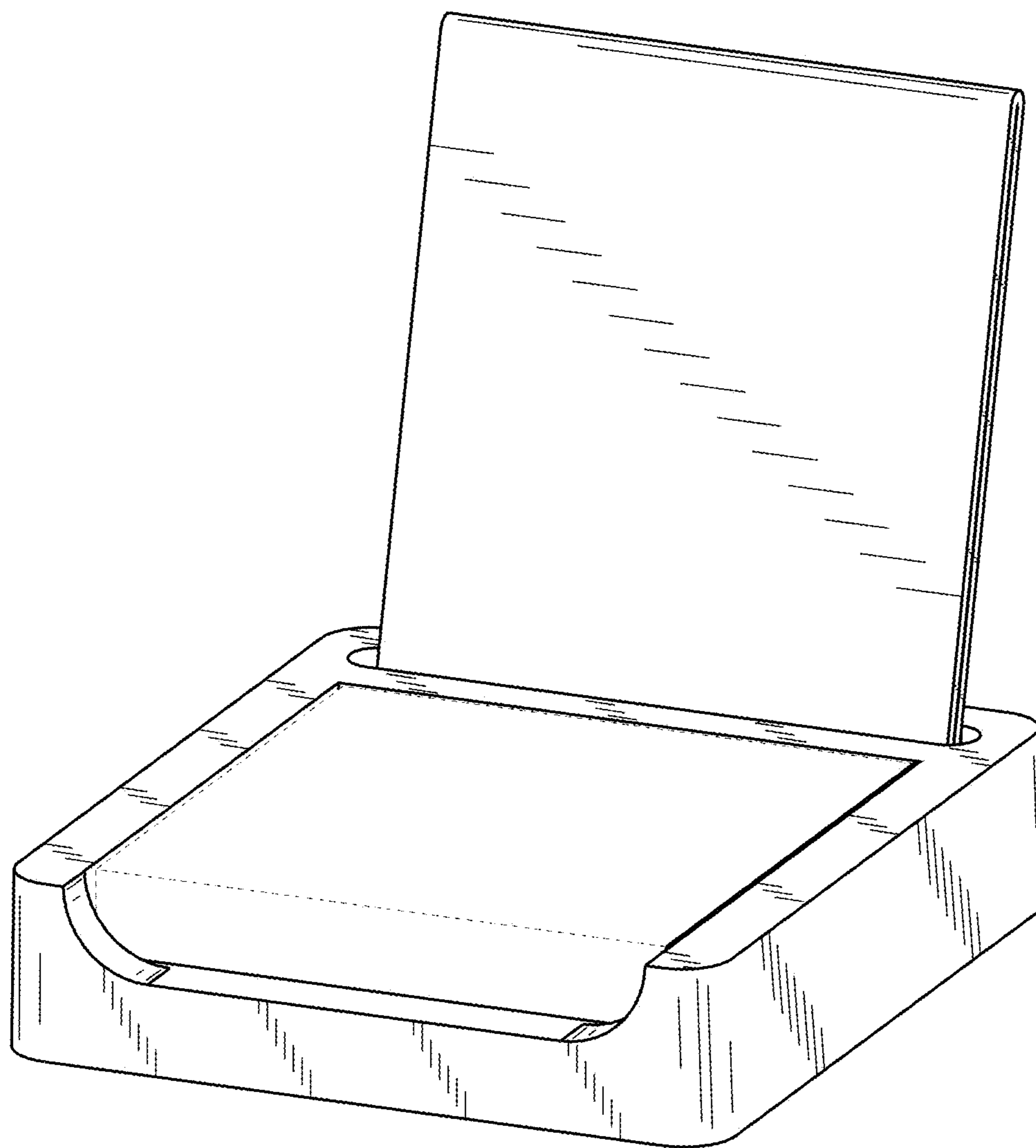
**FIG. 4**



**FIG. 5**



**FIG. 6**



**FIG. 7**