



US00D688747S

(12) **United States Design Patent**
Clover et al.

(10) **Patent No.:** **US D688,747 S**

(45) **Date of Patent:** **** Aug. 27, 2013**

(54) **NOTE DISPENSER**

(75) Inventors: **Kristopher W. Clover**, Minnetonka, MN (US); **Monica Dalla Riva**, Milan (IT); **Valentina Tronconi**, Milan (IT); **Nicolas A. Echeverri**, Woodbury, MN (US); **Lorenzo Ruggieri**, Milan (IT)

(73) Assignee: **3M Innovative Properties Company**, St. Paul, MN (US)

(**) Term: **14 Years**

(21) Appl. No.: **29/408,857**

(22) Filed: **Dec. 16, 2011**

(51) **LOC (9) Cl.** **19-02**

(52) **U.S. Cl.**
USPC **D19/86**

(58) **Field of Classification Search**
USPC D3/201, 206, 247; D6/515, 517, D6/518; D9/414, 432; D19/75, 78, 86, 90-92; 206/37, 39, 39.5, 215, 233, 425; 221/282, 221/283, 284, 285
See application file for complete search history.

(56) **References Cited**

U.S. PATENT DOCUMENTS

48,727 A * 7/1865 Saarbach 150/118
4,749,098 A * 6/1988 Verdi 220/225
D310,102 S * 8/1990 Rittenhouse D19/67
5,165,570 A * 11/1992 Windorski et al. 221/46

D384,499 S * 10/1997 Gaestel D3/247
D456,849 S * 5/2002 Thompson et al. D19/86
D460,117 S * 7/2002 Thompson et al. D19/86
D502,740 S * 3/2005 Stoddard et al. D19/86
D533,595 S * 12/2006 Thompson et al. D19/86
D551,715 S * 9/2007 Chen et al. D19/86
D557,497 S * 12/2007 Fedon D3/247
D558,392 S * 12/2007 Van Keppel et al. D27/185
D586,115 S * 2/2009 Stulman D3/232
D615,298 S * 5/2010 Lasuik D3/247
D672,176 S * 12/2012 Morrow D6/515

* cited by examiner

Primary Examiner — Elizabeth Albert

(74) *Attorney, Agent, or Firm* — Robert H. Jordan; Irina Hass

(57) **CLAIM**

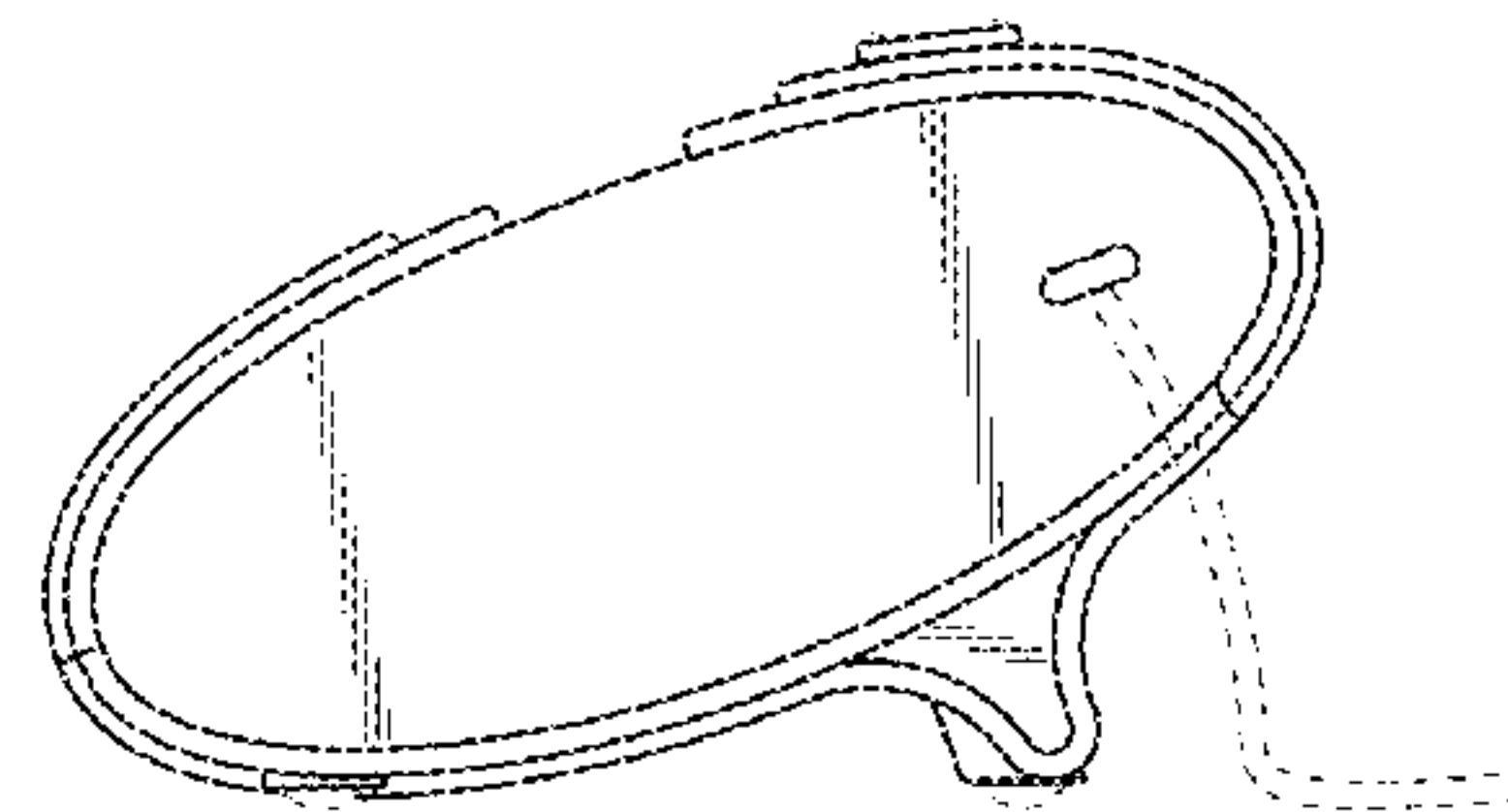
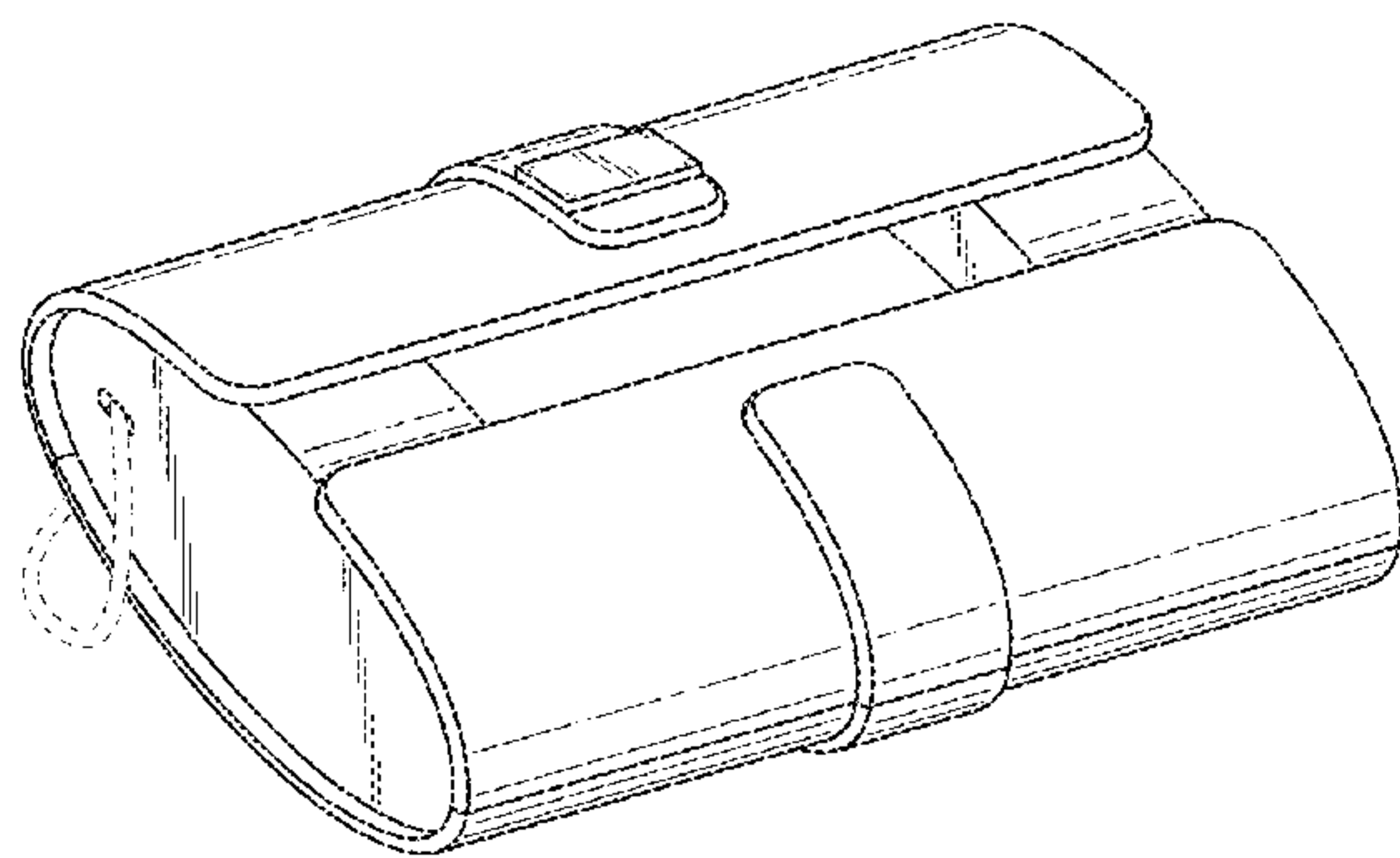
The ornamental design for a note dispenser, as shown and described.

DESCRIPTION

FIG. 1 is a perspective view showing the new design for a note dispenser;
FIG. 2 is a top view thereof;
FIG. 3 is a front view thereof;
FIG. 4 is a bottom view thereof;
FIG. 5 is a back view thereof; and,
FIG. 6 is a side view thereof, the opposite side being a mirror image.

The broken lines in FIGS. 1-6 are included for the purpose of showing portions of the note dispenser that form no part of the claimed design.

1 Claim, 3 Drawing Sheets



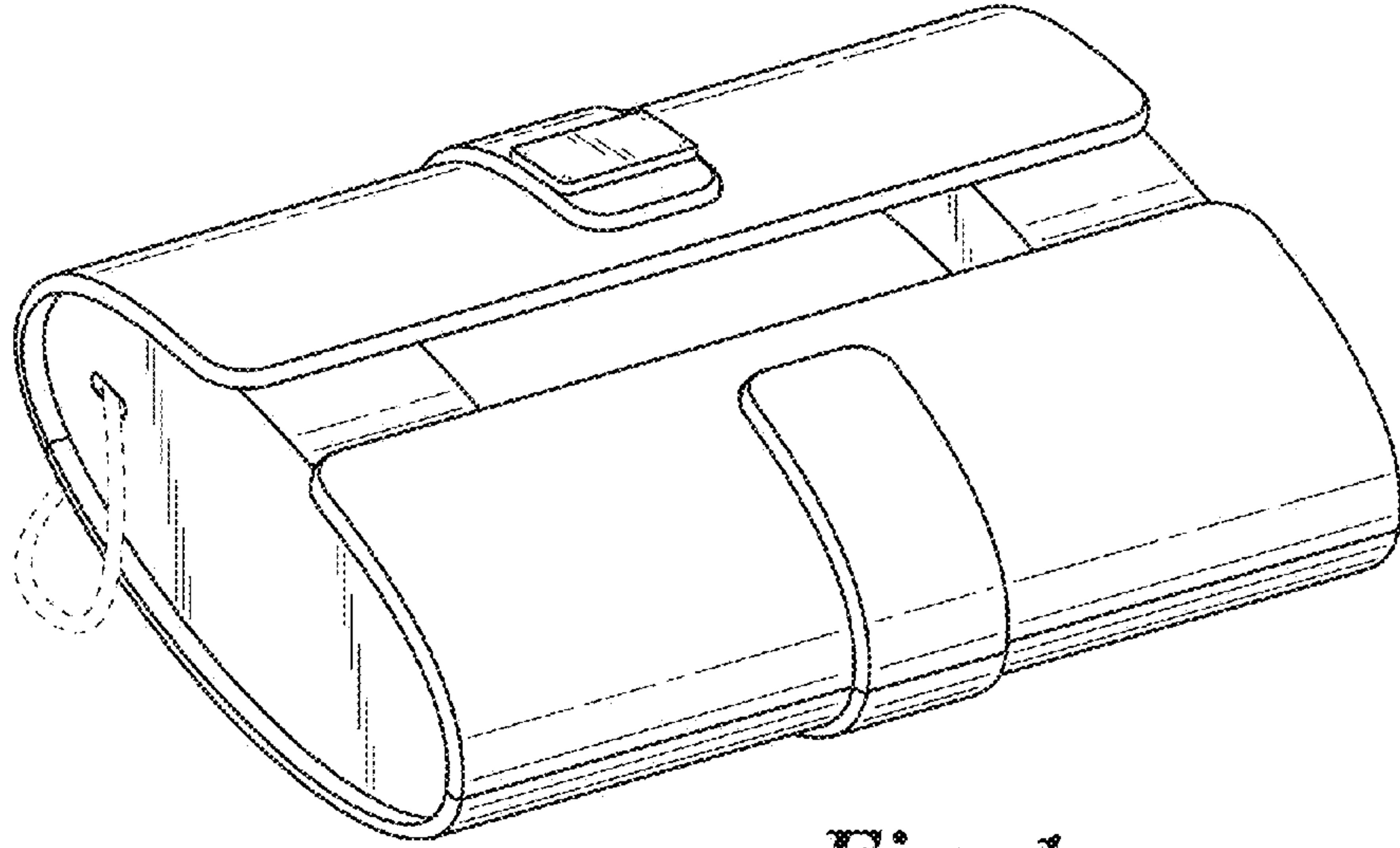


Fig. 1

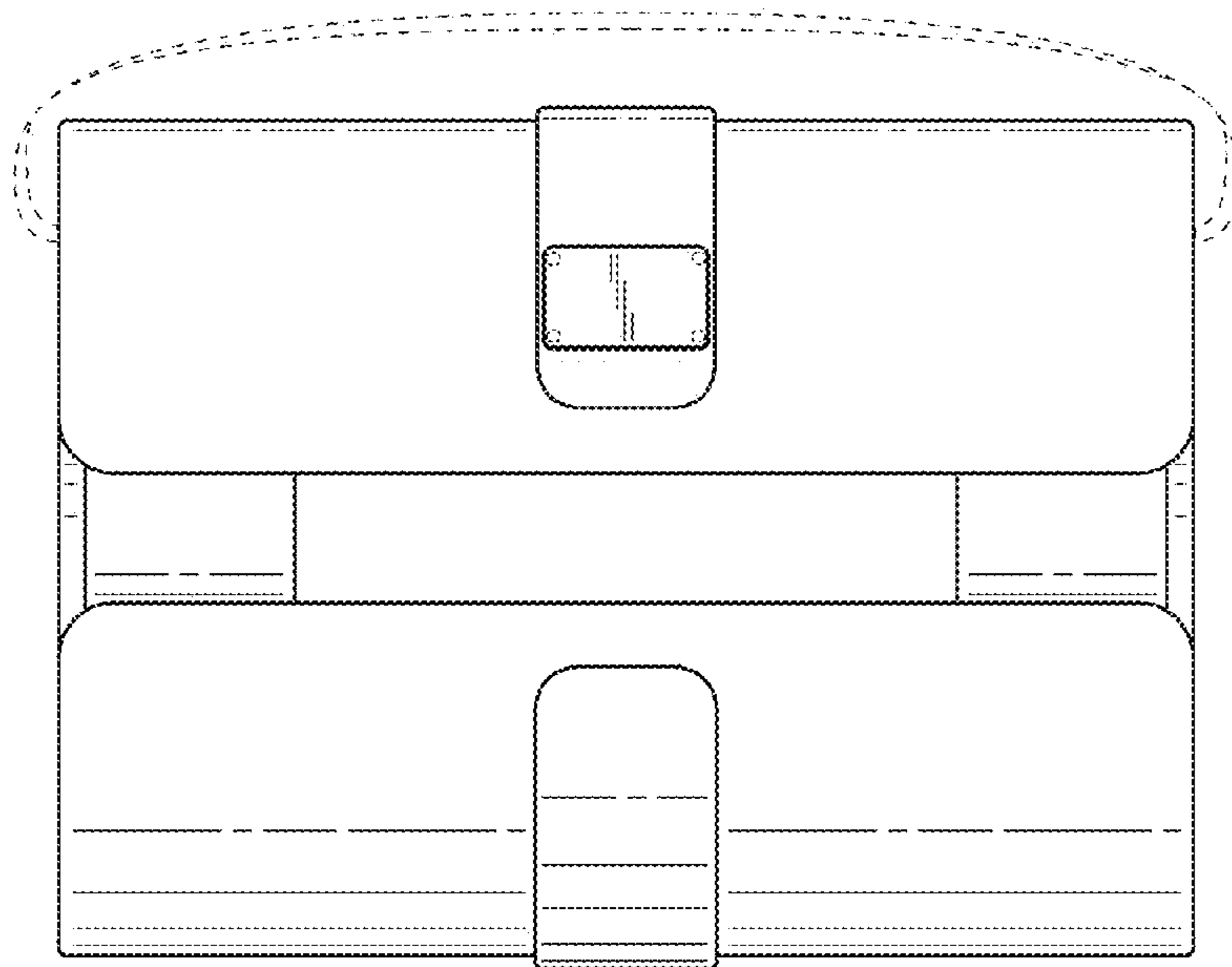


Fig. 2

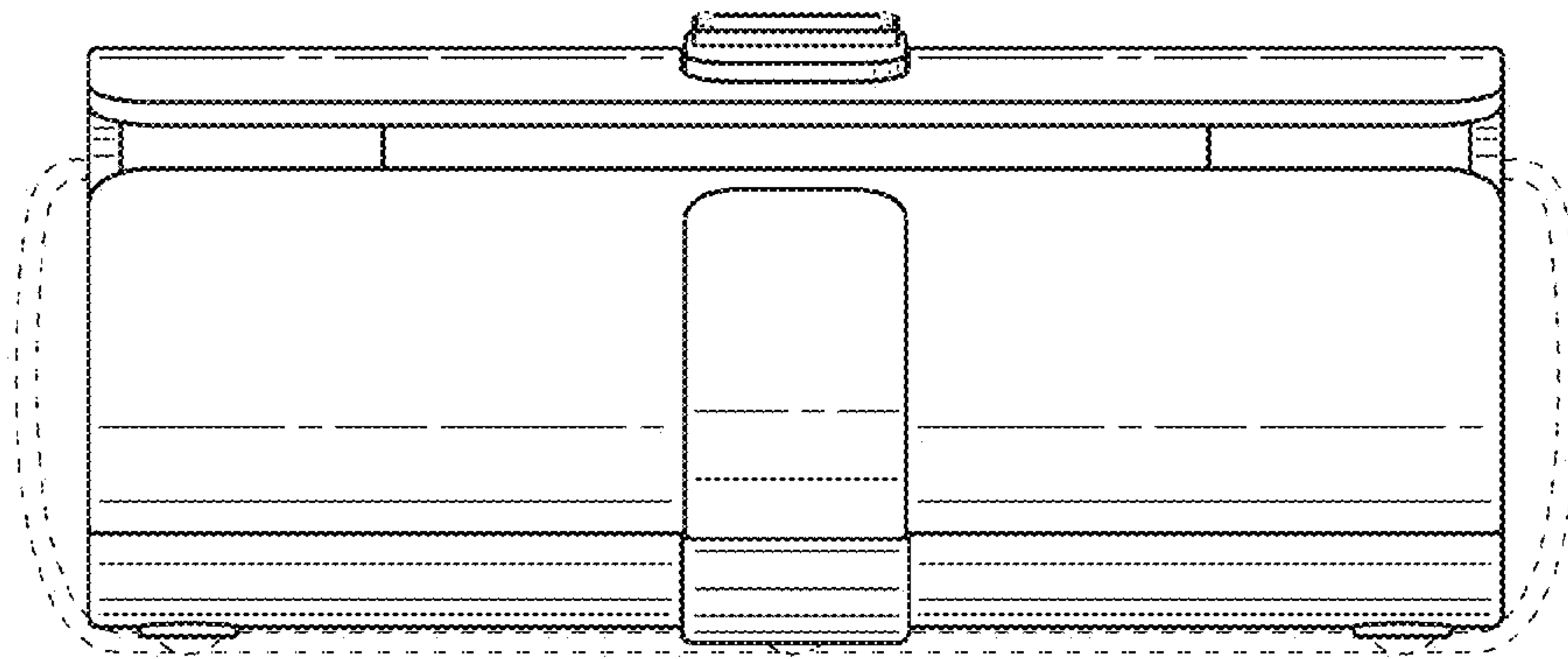


Fig. 3

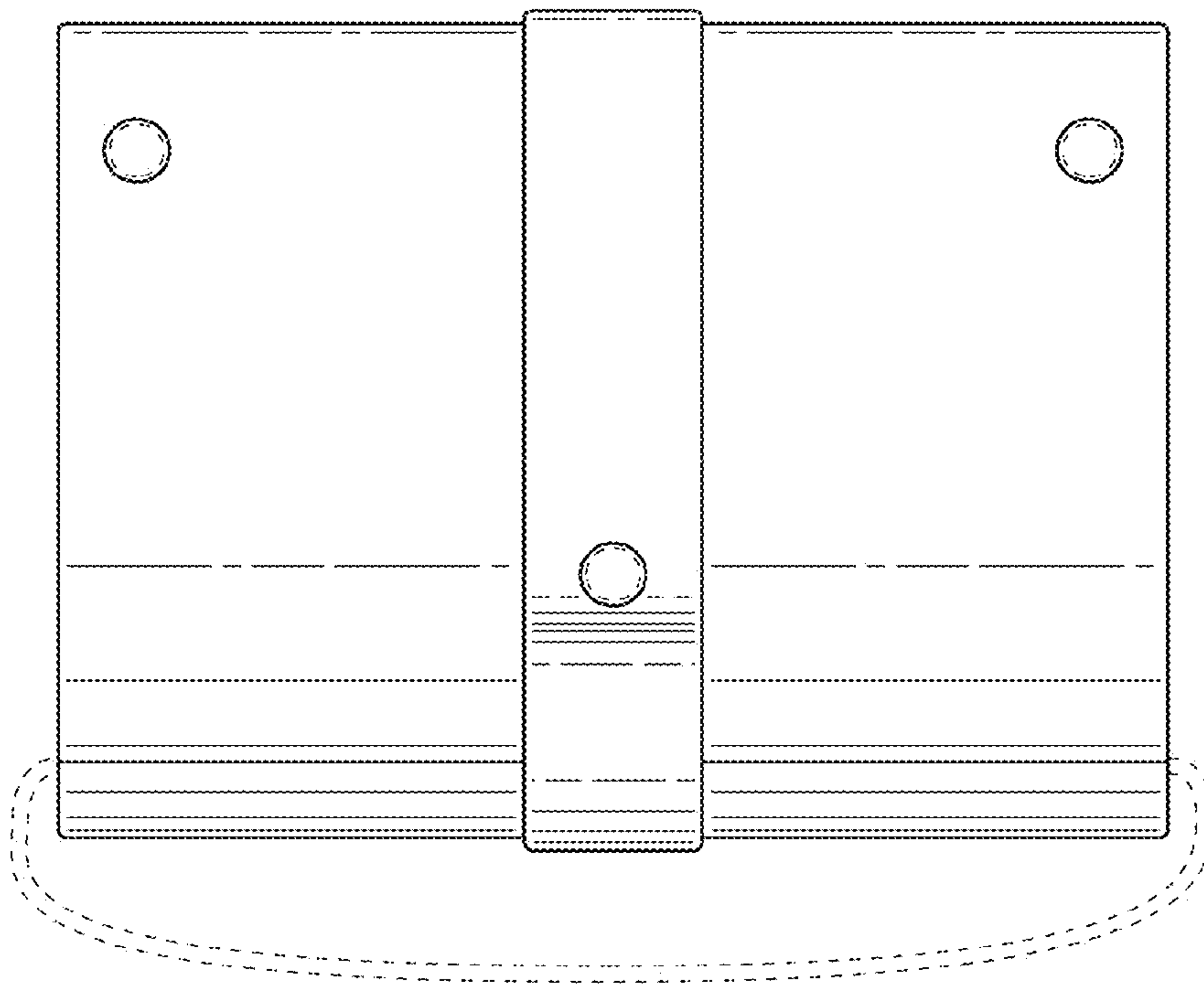


Fig. 4

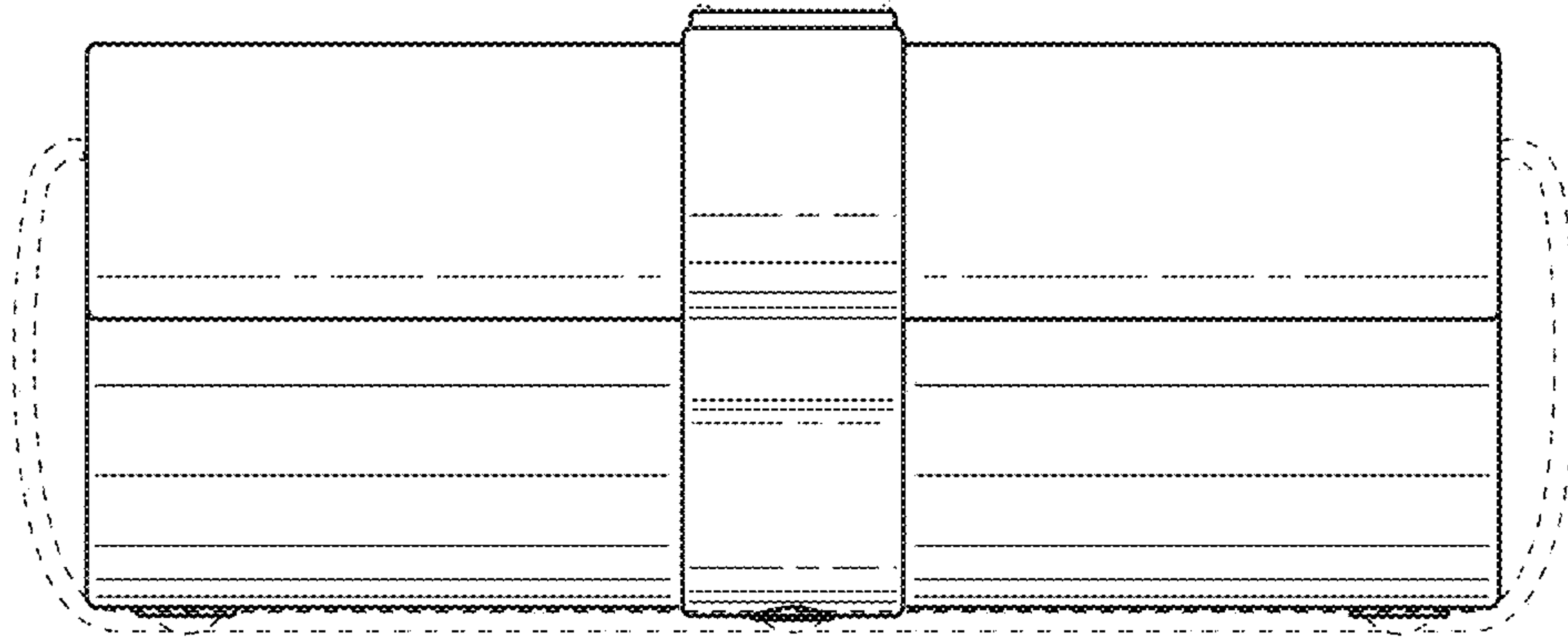


Fig. 5

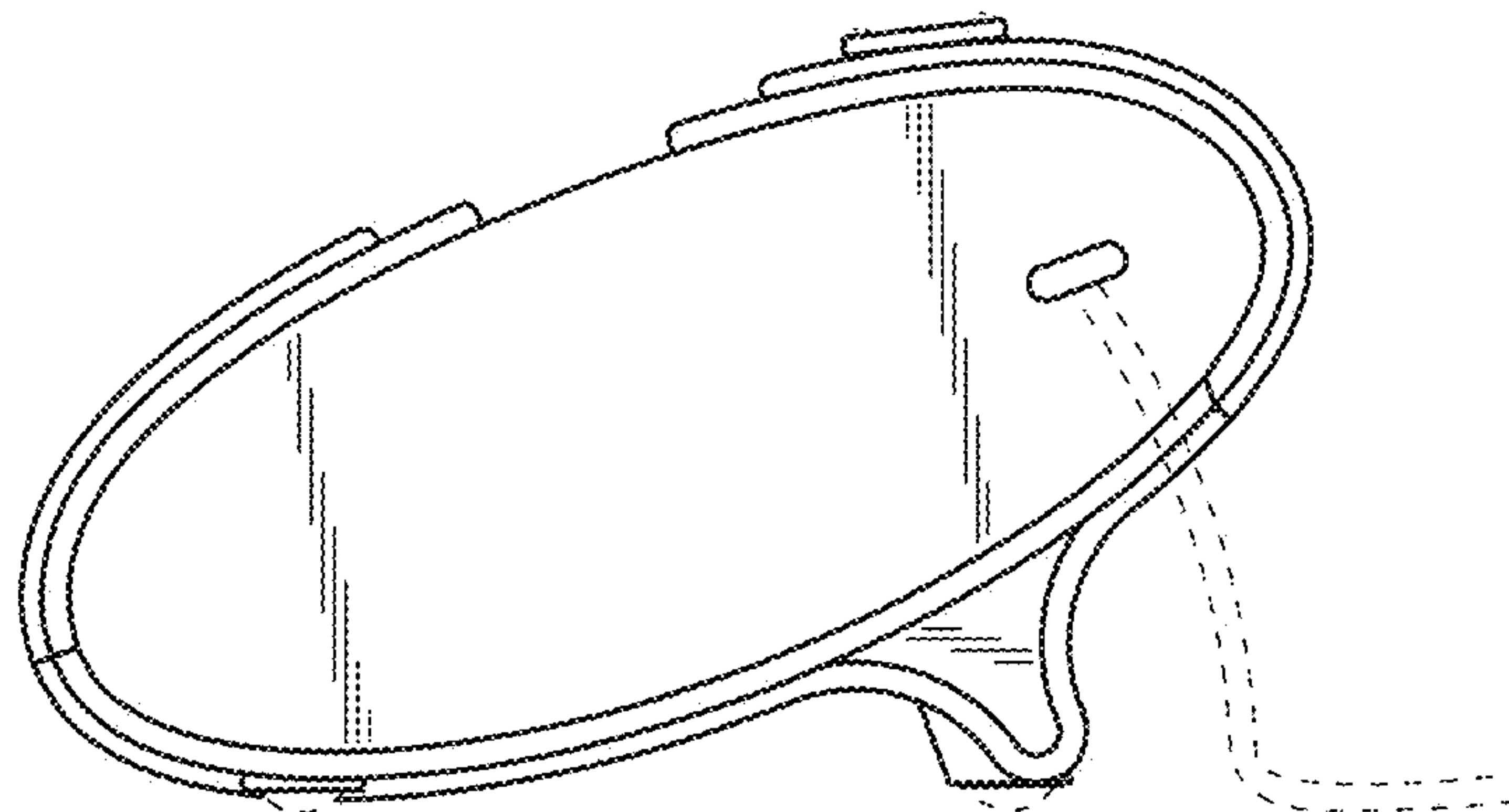


Fig. 6