

US00D688746S

(12) **United States Design Patent**  
**Hung et al.**

(10) **Patent No.:** **US D688,746 S**

(45) **Date of Patent:** **\*\* Aug. 27, 2013**

(54) **NOTE DISPENSER**

(75) Inventors: **Hui-Shan Hung**, Zhongli (TW); **Tze Hao Lin**, New Taipei (TW)

(73) Assignee: **3M Innovative Properties Company**,  
St. Paul, MN (US)

(\*\*) Term: **14 Years**

(21) Appl. No.: **29/426,005**

(22) Filed: **Jun. 29, 2012**

(51) **LOC (9) Cl.** ..... **19-02**

(52) **U.S. Cl.**  
USPC ..... **D19/56**

(58) **Field of Classification Search**  
USPC ..... D3/201, 206, 247; D6/515, 517,  
D6/518; D9/414, 432, 447, 445, 454, 500,  
D9/503; D19/75, 78, 86, 90-92; 206/37,  
206/39, 39.5, 215, 233, 425; 221/282, 283,  
221/284, 285, 33, 34, 56, 102; D7/510, 511,  
D7/538; 220/256.1, 259.1, 259.3, 703, 711;  
D99/34-37  
See application file for complete search history.

D379,928	S *	6/1997	Freek et al.	.....	D9/447
D417,845	S *	12/1999	Sadlier et al.	.....	D9/447
D438,298	S *	2/2001	McNutt	.....	D23/367
D443,449	S *	6/2001	Richter	.....	D6/515
D450,211	S *	11/2001	Santoni et al.	.....	D6/518
6,318,590	B1 *	11/2001	McMurray-Stivers	.....	221/45
D462,212	S *	9/2002	Kureghian	.....	D6/515
D467,497	S *	12/2002	Liu et al.	.....	D9/429
6,536,657	B2 *	3/2003	Van Handel	.....	229/403
D476,891	S *	7/2003	Clarke et al.	.....	D9/447
6,702,145	B2 *	3/2004	Malcolm	.....	220/713
D500,421	S *	1/2005	Azrak	.....	D6/515
D500,422	S *	1/2005	Azrak	.....	D6/515
D500,617	S *	1/2005	Azrak	.....	D6/515
6,978,910	B2 *	12/2005	Sanders et al.	.....	220/713
D526,564	S *	8/2006	Slavin et al.	.....	D9/454
7,175,042	B2 *	2/2007	Durdon	.....	220/254.3
7,175,043	B2 *	2/2007	O'Neal	.....	220/379
D543,777	S *	6/2007	Seum et al.	.....	D7/392.1
7,275,653	B2 *	10/2007	Tedford, Jr.	.....	220/254.9
7,284,676	B2 *	10/2007	Dantani	.....	220/711

(Continued)

*Primary Examiner* — Elizabeth Albert  
(74) *Attorney, Agent, or Firm* — Irina Hass

(57) **CLAIM**  
The ornamental design for a note dispenser, as shown and described.

(56) **References Cited**

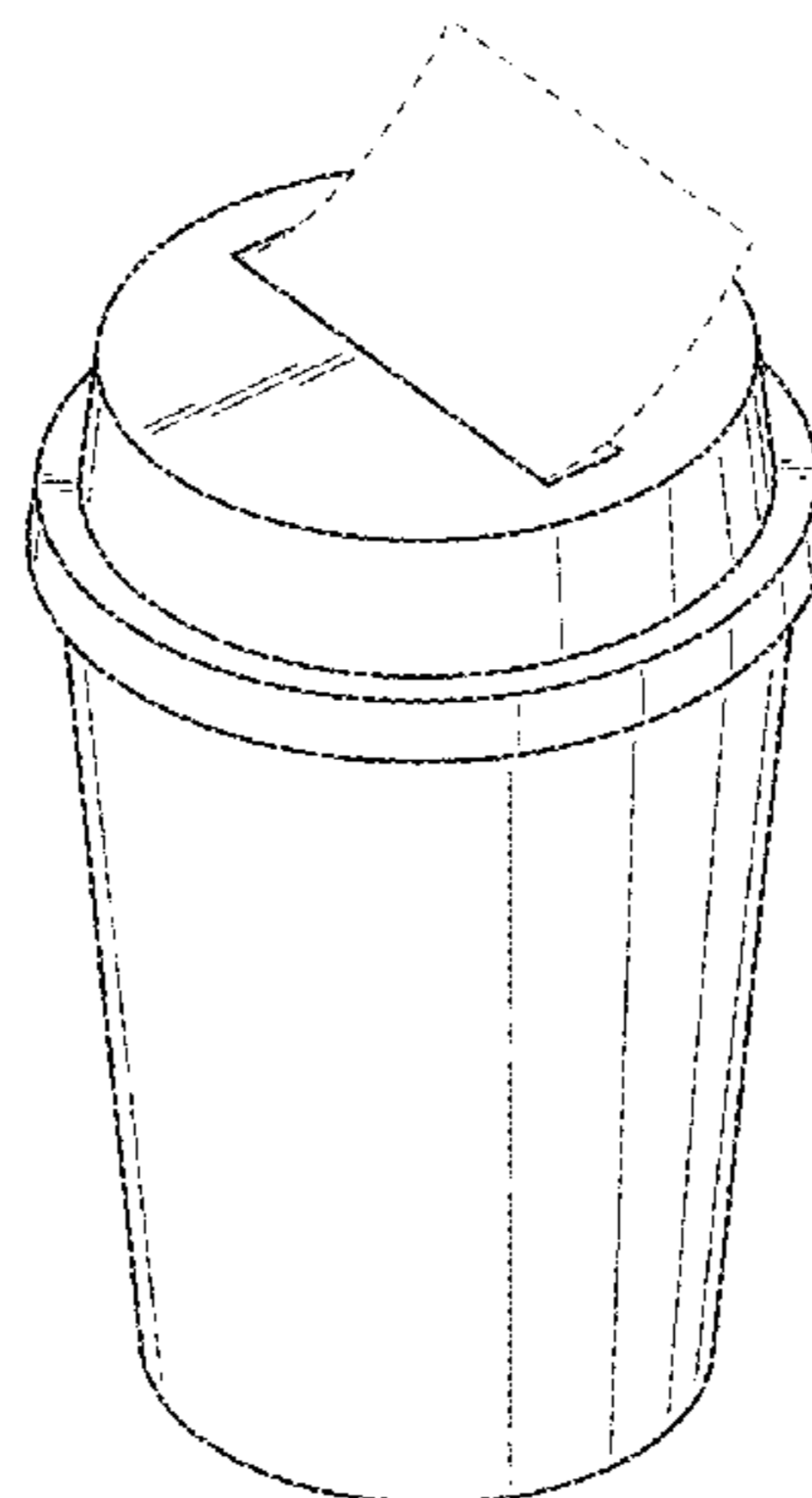
U.S. PATENT DOCUMENTS

1,778,175	A *	10/1930	Thune	.....	47/71
2,263,947	A *	11/1941	Gottfried	.....	220/710
D212,843	S *	12/1968	Hart et al.	.....	D9/452
D219,958	S *	2/1971	Clark	.....	D9/428
D275,839	S *	10/1984	Lutzker	.....	D9/439
D283,677	S *	5/1986	Fortuna et al.	.....	D9/500
4,705,172	A *	11/1987	Gage	.....	206/519
D320,558	S *	10/1991	Timm	.....	D9/435
5,150,804	A *	9/1992	Blanchet et al.	.....	220/212
D351,220	S *	10/1994	Barnes	.....	D23/260
5,398,843	A *	3/1995	Warden et al.	.....	220/711
5,445,292	A *	8/1995	Slomski et al.	.....	141/331
5,509,568	A *	4/1996	Warden et al.	.....	220/711

**DESCRIPTION**

FIG. 1 is a perspective view of the new design for a note dispenser;  
FIG. 2 is a front view thereof, the rear view being a mirror image thereof;  
FIG. 3 is a top view thereof;  
FIG. 4 is a bottom view thereof; and,  
FIG. 5 is a perspective view thereof showing the note dispenser with a note.  
The broken lines in FIG. 5 are included for the purpose of showing portions that form no part of the claimed design.

**1 Claim, 2 Drawing Sheets**



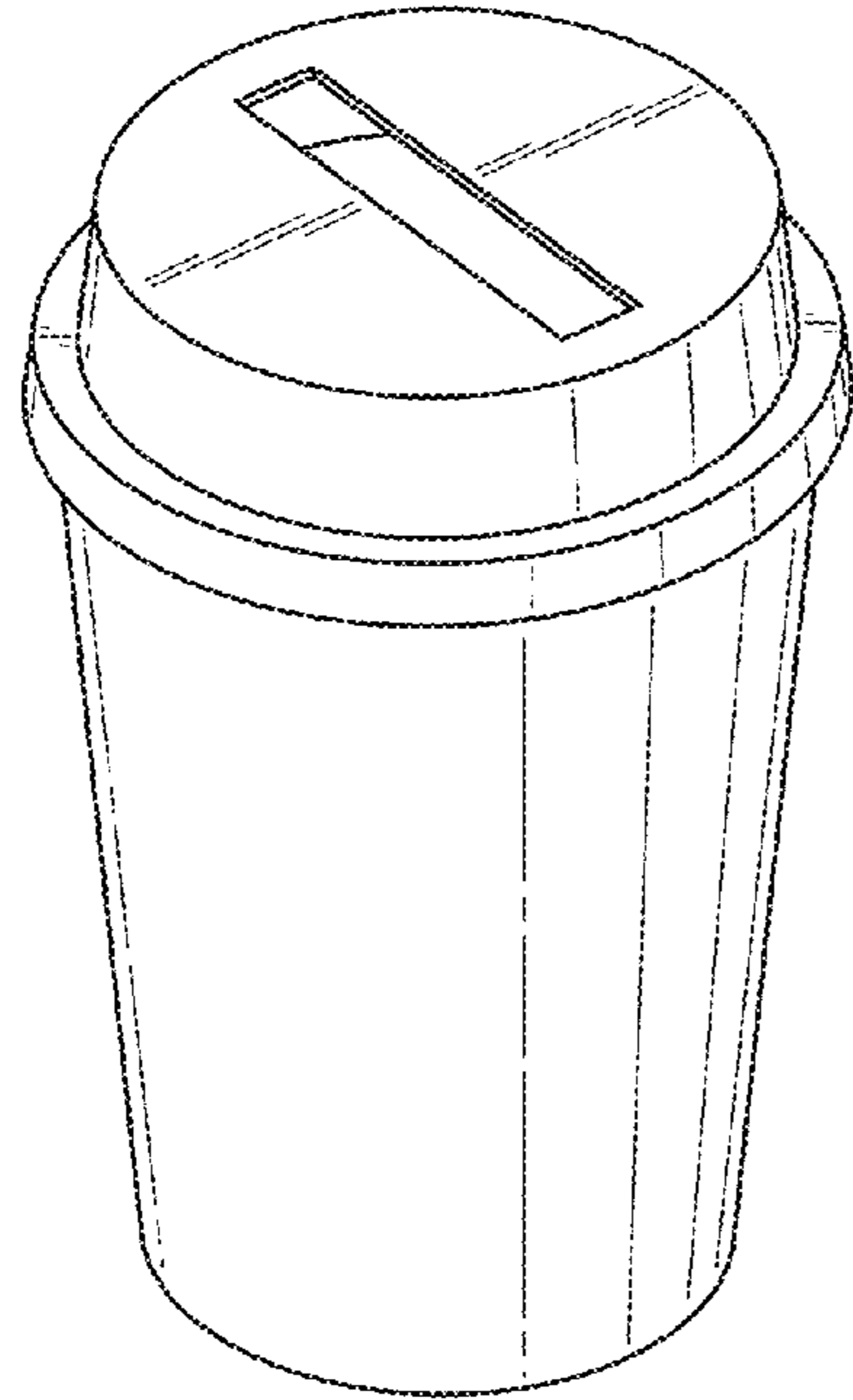
(56)

References Cited

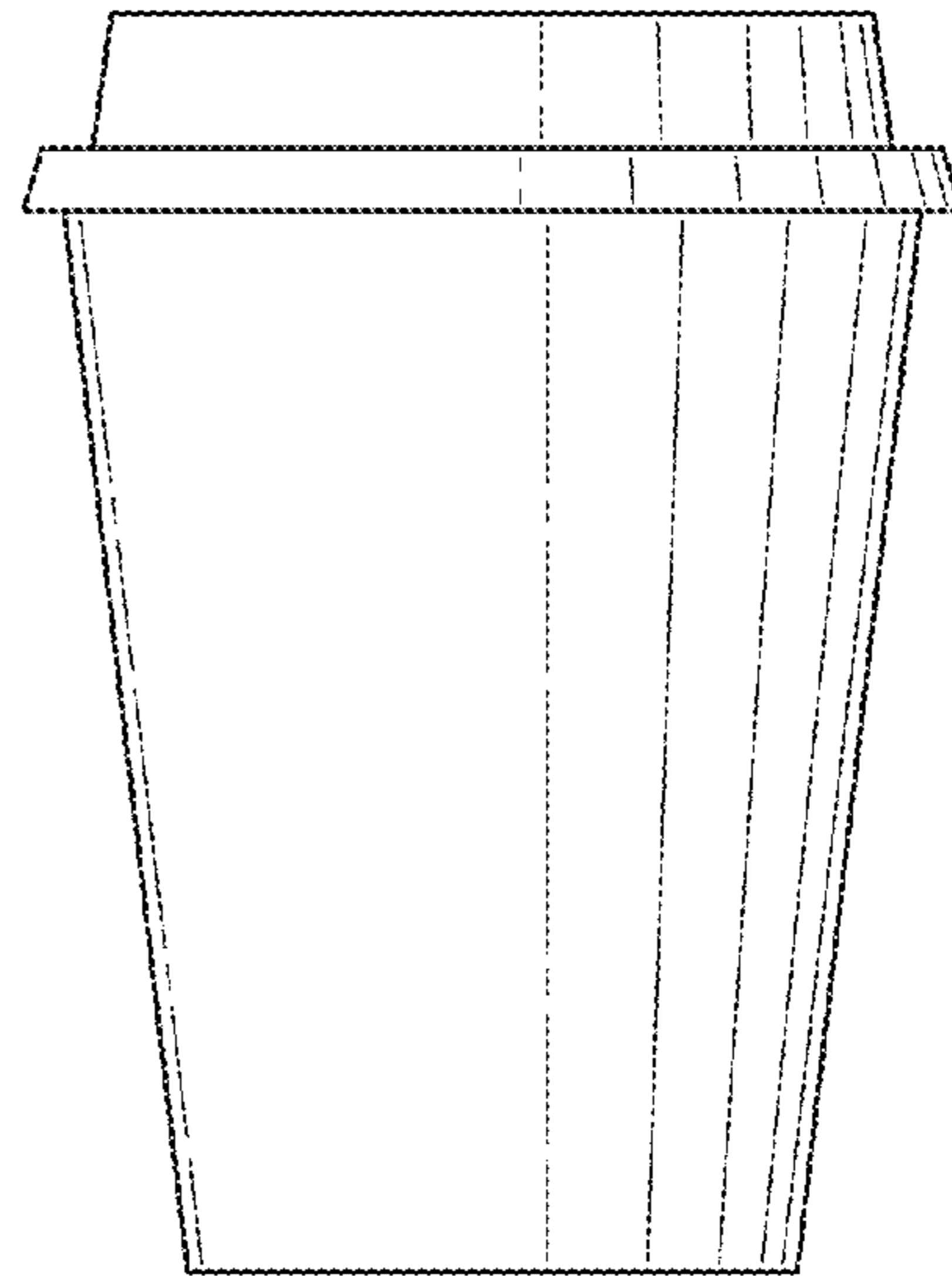
U.S. PATENT DOCUMENTS

D590,662 S *	4/2009	Cheng	.....	D7/511	8,302,810 B2 *	11/2012	Mulhem et al.	.....	221/34
D591,595 S *	5/2009	Tedford, Jr.	.....	D9/447	D675,524 S *	2/2013	Bickert et al.	.....	D9/447
D621,659 S *	8/2010	Liu	.....	D7/510	2004/0084452 A1 *	5/2004	Hsieh	.....	220/256.1
D623,474 S *	9/2010	Carlson et al.	.....	D7/510	2006/0071008 A1 *	4/2006	Sadlier	.....	220/713
D623,476 S *	9/2010	Carlson et al.	.....	D7/510	2006/0076357 A1 *	4/2006	Braat et al.	.....	221/34
D631,635 S *	1/2011	Tuli	.....	D99/37	2006/0243734 A1 *	11/2006	Tedford	.....	220/780
8,056,752 B2 *	11/2011	Carnevali	.....	220/372	2006/0273092 A1 *	12/2006	Nottingham et al.	.....	220/701
D655,162 S *	3/2012	Daniel	.....	D9/447	2007/0023442 A1 *	2/2007	Auzenne	.....	220/801
D657,670 S *	4/2012	Folos et al.	.....	D9/447	2008/0011762 A1 *	1/2008	Boone	.....	220/713
D658,057 S *	4/2012	Donat	.....	D9/447	2008/0078824 A1 *	4/2008	Spriegel et al.	.....	229/403
D658,443 S *	5/2012	Chiu et al.	.....	D7/507	2009/0065518 A1 *	3/2009	Carnevali	.....	220/711
D660,700 S *	5/2012	MacNeill et al.	.....	D9/454	2009/0108006 A1 *	4/2009	Milan	.....	220/592.17
D662,362 S *	6/2012	Bickert et al.	.....	D7/510	2011/0266294 A1 *	11/2011	Charbonnet et al.	.....	220/711
					2011/0278314 A1 *	11/2011	Bendix	.....	220/703
					2012/0267384 A1 *	10/2012	Bye et al.	.....	220/711

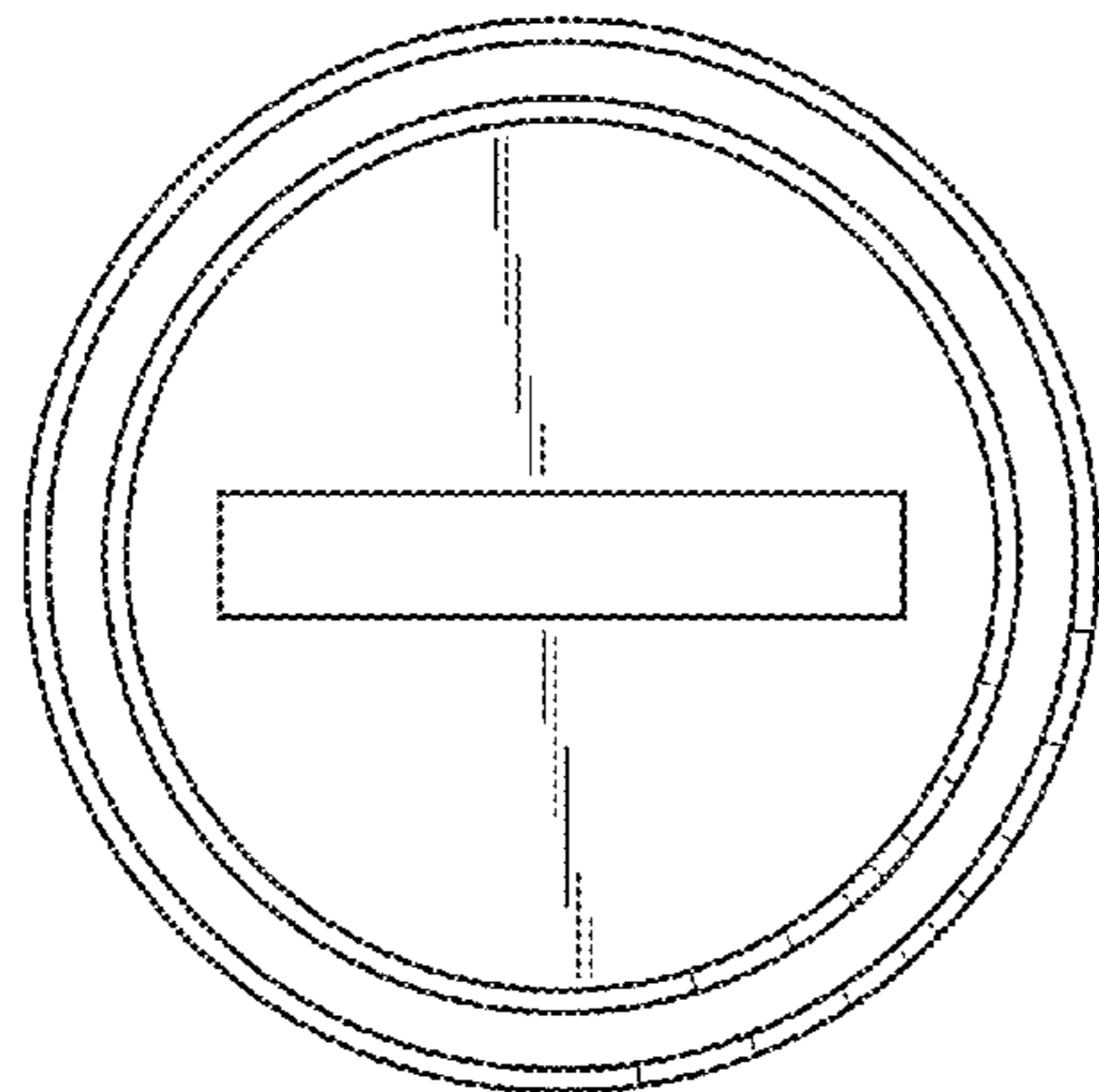
\* cited by examiner



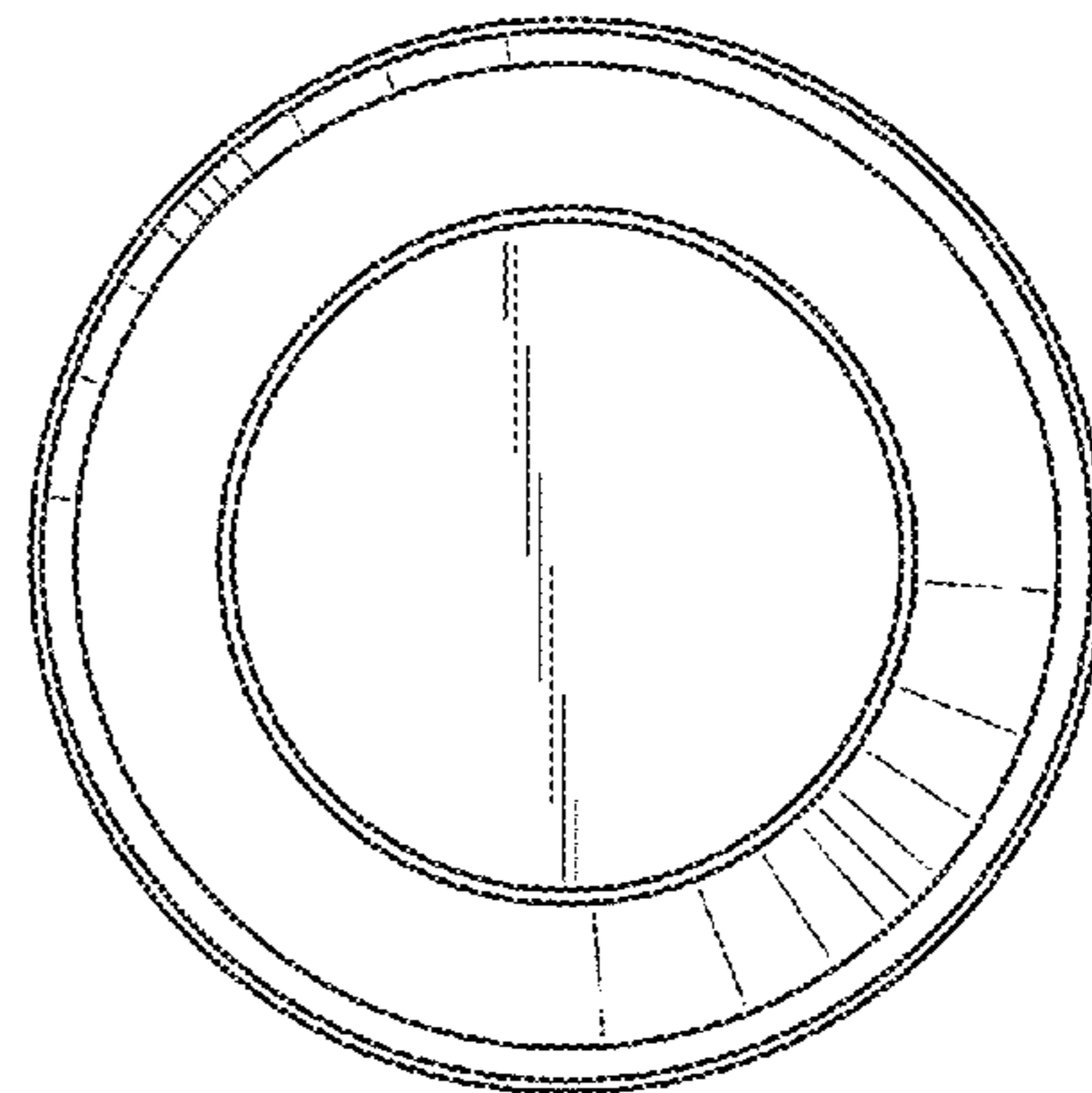
*Fig. 1*



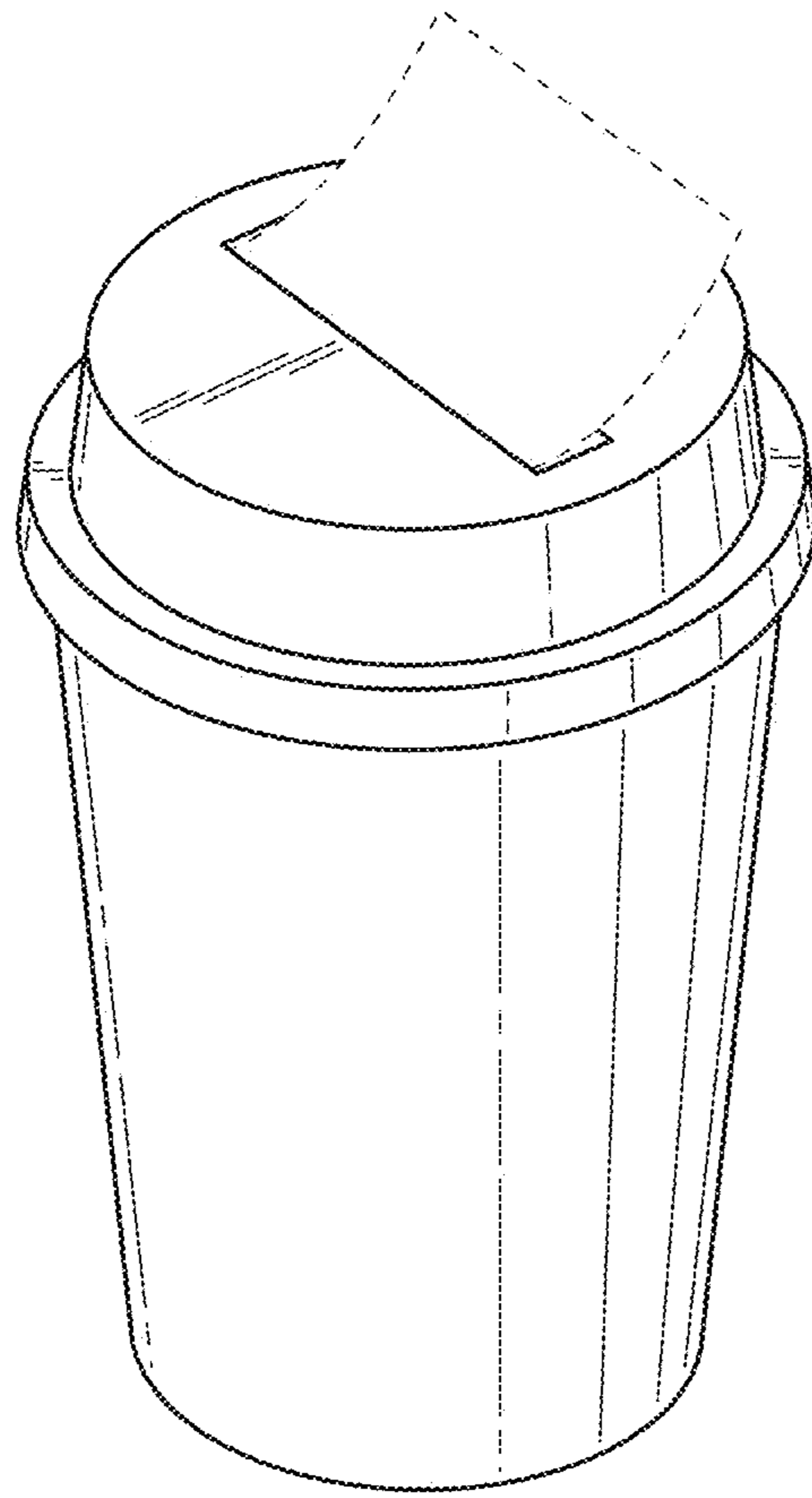
*Fig. 2*



*Fig. 3*



*Fig. 4*



*Fig. 5*