



US00D688745S

(12) **United States Design Patent**  
**Lyons**

(10) **Patent No.:** **US D688,745 S**

(45) **Date of Patent:** **\*\* Aug. 27, 2013**

(54) **COMMUNICATION BOARD**

(75) Inventor: **Kurt William Lyons**, Rochester, NY  
(US)

(73) Assignee: **Quorum Group, LLC**, Medina, NY  
(US)

(\*\*) Term: **14 Years**

(21) Appl. No.: **29/423,599**

(22) Filed: **Jun. 1, 2012**

(51) **LOC (9) Cl.** ..... **19-06**

(52) **U.S. Cl.**  
USPC ..... **D19/52**

(58) **Field of Classification Search**

USPC ..... D6/300, 306, 310; D14/128, 336,  
D14/371, 374; D19/52; D20/10, 27, 39,  
D20/40; 40/581, 584, 611.01, 611.06;  
312/230; 434/408, 410, 415

See application file for complete search history.

(56) **References Cited**

**U.S. PATENT DOCUMENTS**

2,193,928	A *	3/1940	Johnson	.....	40/603
2,734,466	A *	2/1956	Hammial et al.	.....	52/468
3,866,343	A *	2/1975	Frost et al.	.....	40/585
D268,238	S *	3/1983	Brescia et al.	.....	D6/300
D279,201	S *	6/1985	Shuman	.....	D20/43
4,914,844	A *	4/1990	Seery	.....	40/584
D328,470	S *	8/1992	Costello et al.	.....	D19/26
D361,897	S *	9/1995	Jackson	.....	D6/300
D365,535	S *	12/1995	Muckler	.....	D11/132
5,586,401	A *	12/1996	Sheehan et al.	.....	40/737
D418,984	S *	1/2000	Koconis	.....	D6/314
D447,183	S *	8/2001	Wilmotte	.....	D20/39
D471,236	S *	3/2003	Robbins, III	.....	D19/95

D476,818	S *	7/2003	Stravitz	.....	D6/300
6,780,486	B2 *	8/2004	Kuo et al.	.....	428/40.1
D518,300	S *	4/2006	Dele-Ogunrinde	.....	D6/301
7,874,842	B2 *	1/2011	Beno	.....	434/408
D637,195	S *	5/2011	Stammers et al.	.....	D14/450
8,046,945	B2 *	11/2011	Radcliffe	.....	40/737

\* cited by examiner

*Primary Examiner* — Elizabeth Albert

(74) *Attorney, Agent, or Firm* — Workman Nydegger

(57) **CLAIM**

The ornamental design for a communication board, as shown and described.

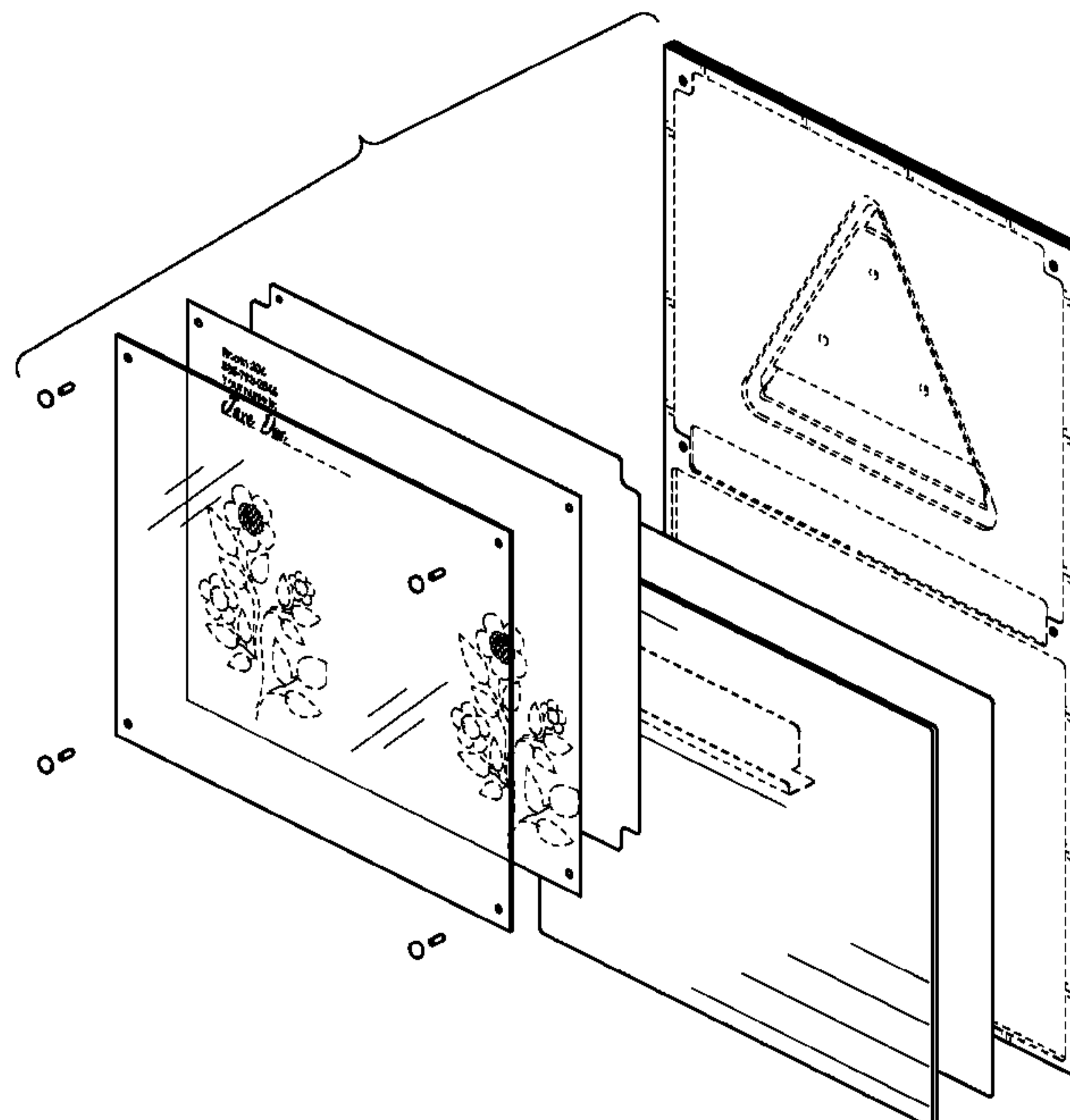
**DESCRIPTION**

FIG. 1 is a perspective environmental view of a communication board showing my new design;  
FIG. 2 is a perspective exploded view thereof;  
FIG. 3 is a front elevational view thereof;  
FIG. 4 is a right elevational view thereof;  
FIG. 5 is a left elevational view thereof;  
FIG. 6 is a top plan view thereof;  
FIG. 7 is a bottom plan view thereof;  
FIG. 8 is a perspective environmental view of another embodiment of a communication board showing my new design;

FIG. 9 is a perspective exploded view thereof;  
FIG. 10 is a front elevational view thereof;  
FIG. 11 is a right elevational view thereof;  
FIG. 12 is a left elevational view thereof;  
FIG. 13 is a top plan view thereof; and,  
FIG. 14 is a bottom plan view thereof.

The broken lines in FIGS. 1-14 are included for the purpose of showing features and portions of the communication board that form no part of the claimed design.

**1 Claim, 6 Drawing Sheets**



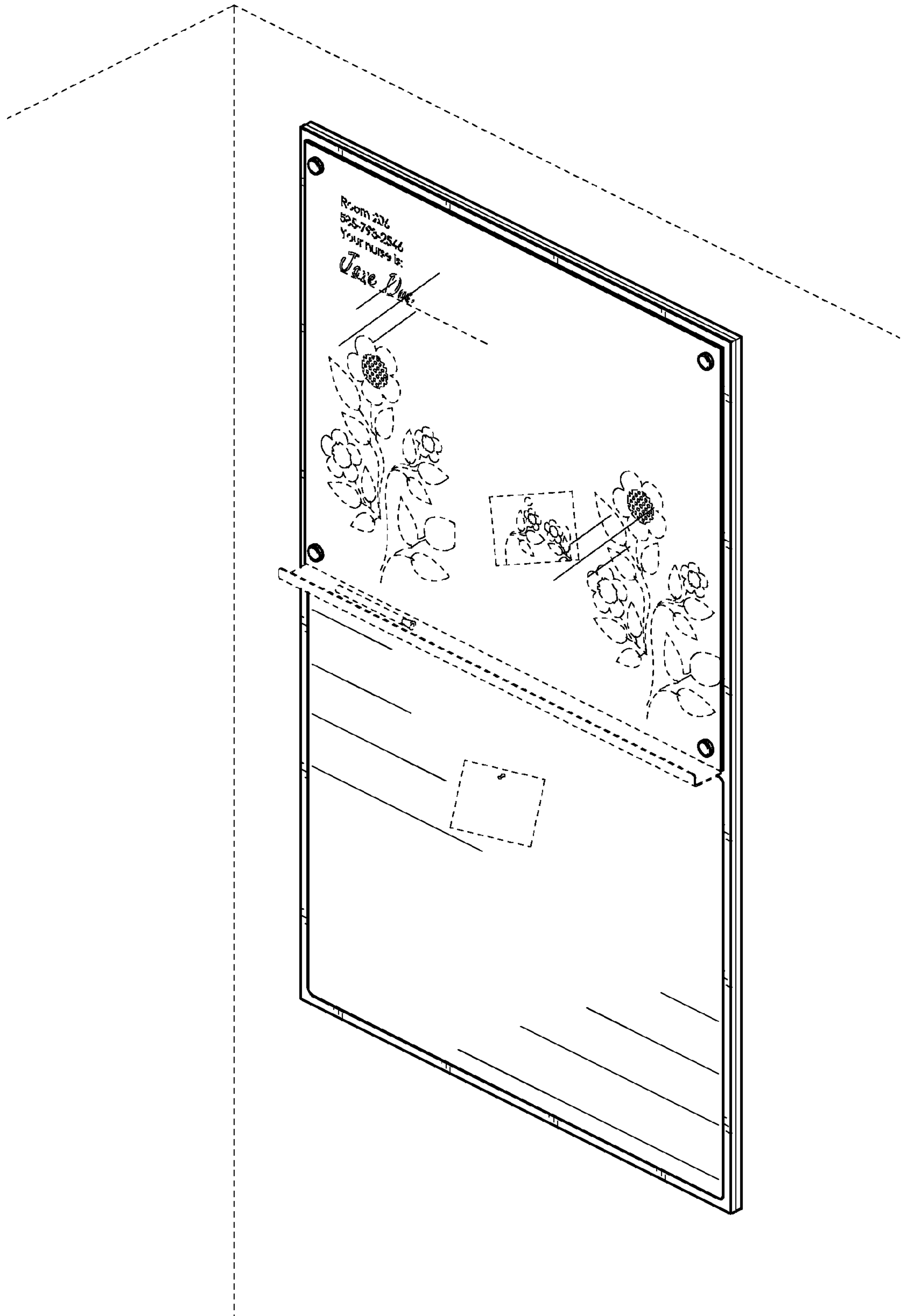


FIG. 1

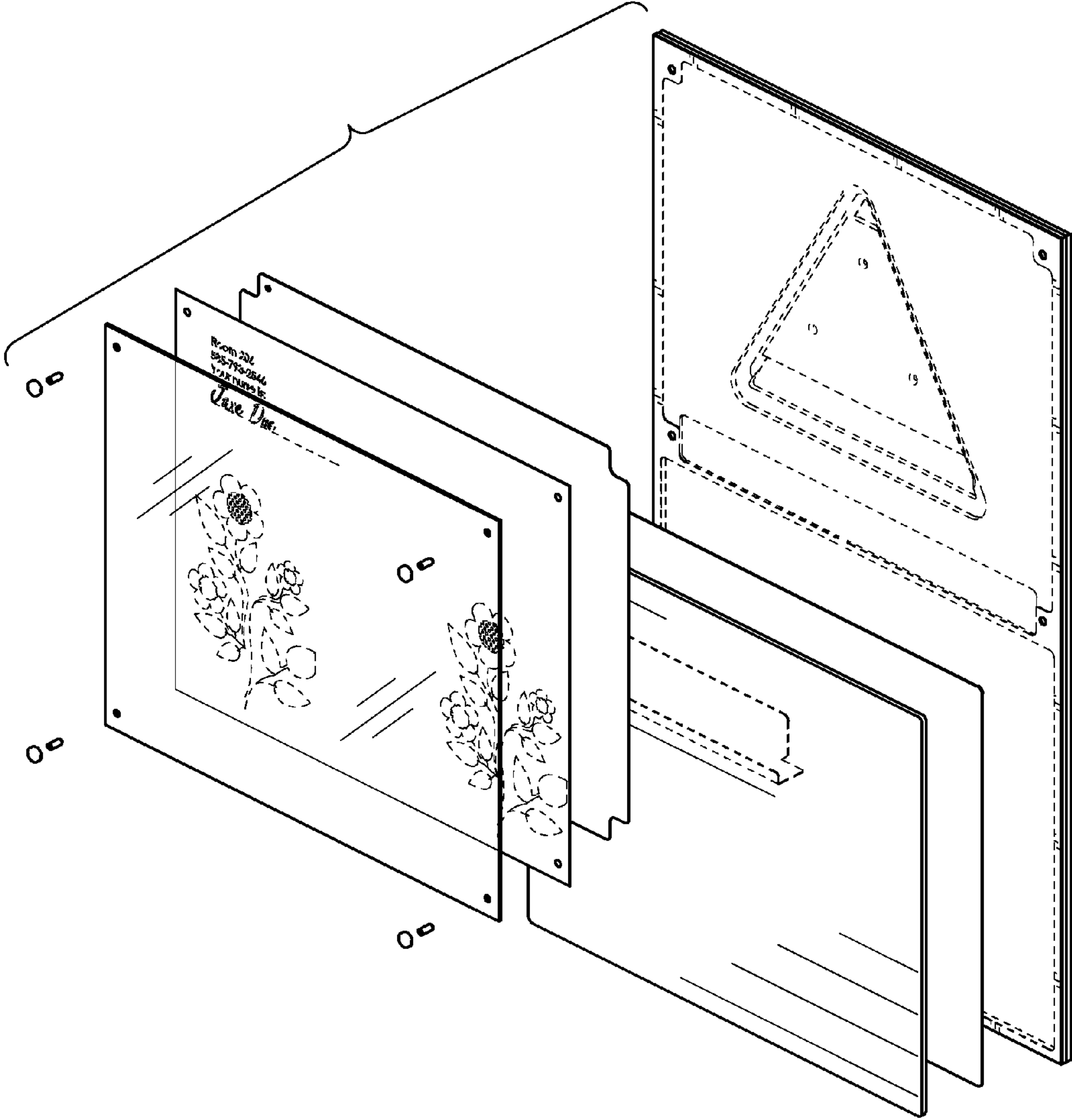


FIG. 2



FIG. 6

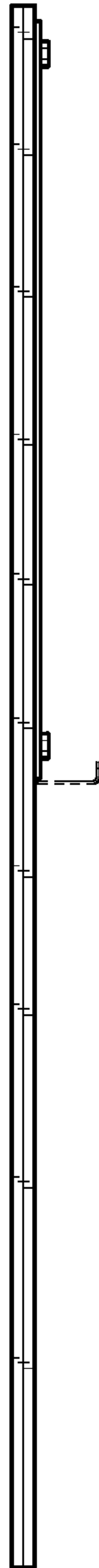


FIG. 5

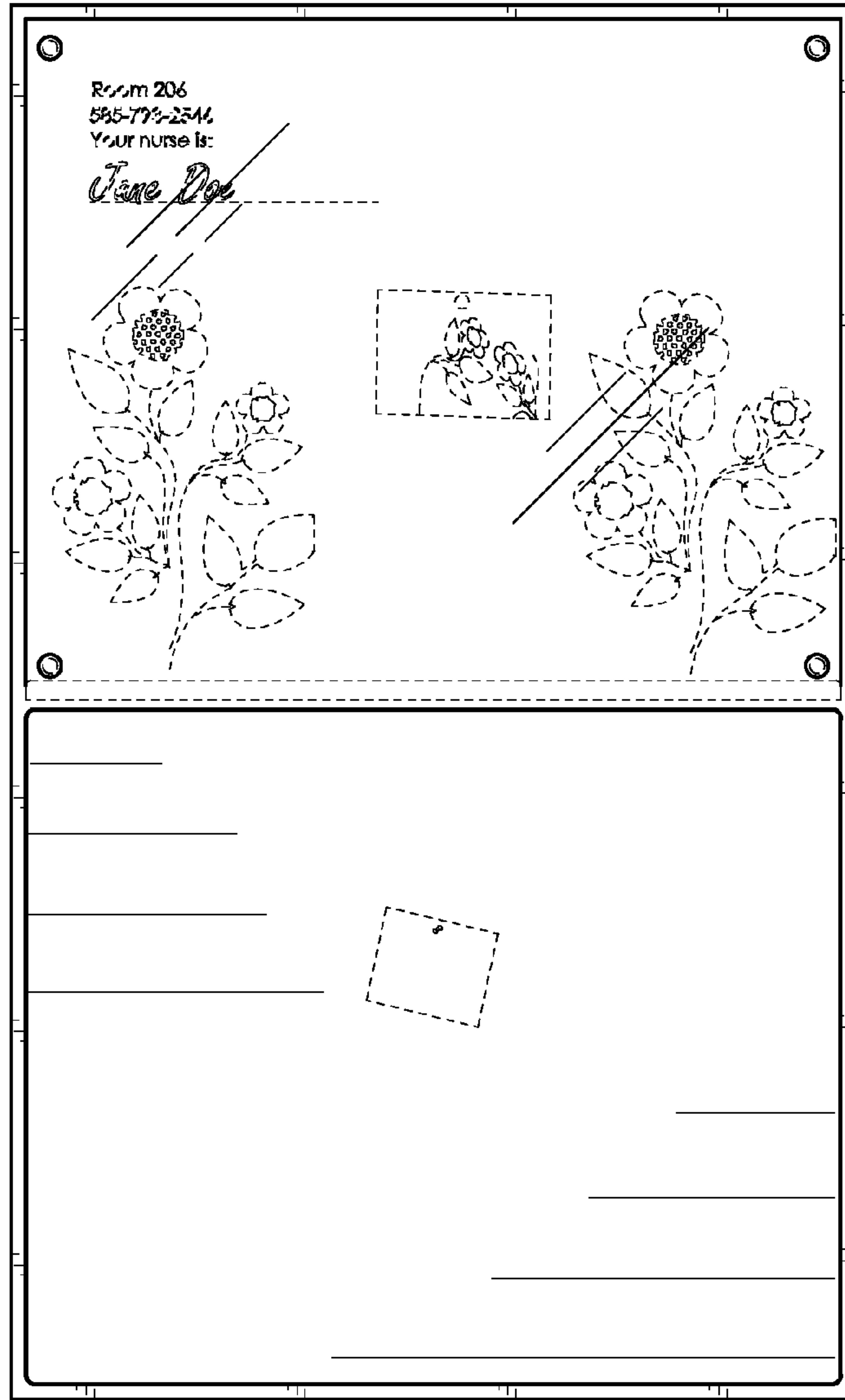


FIG. 3

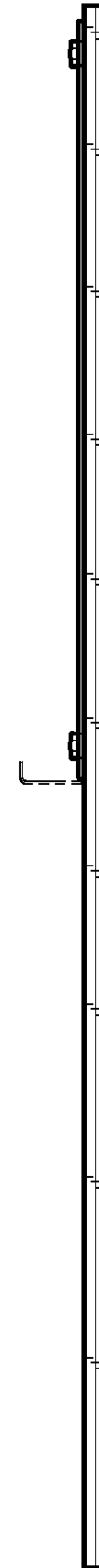


FIG. 4

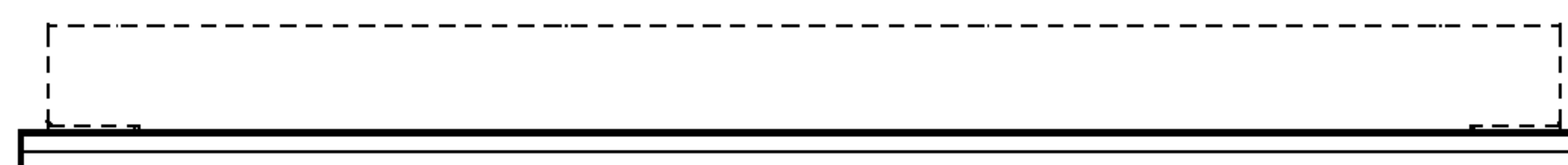


FIG. 7

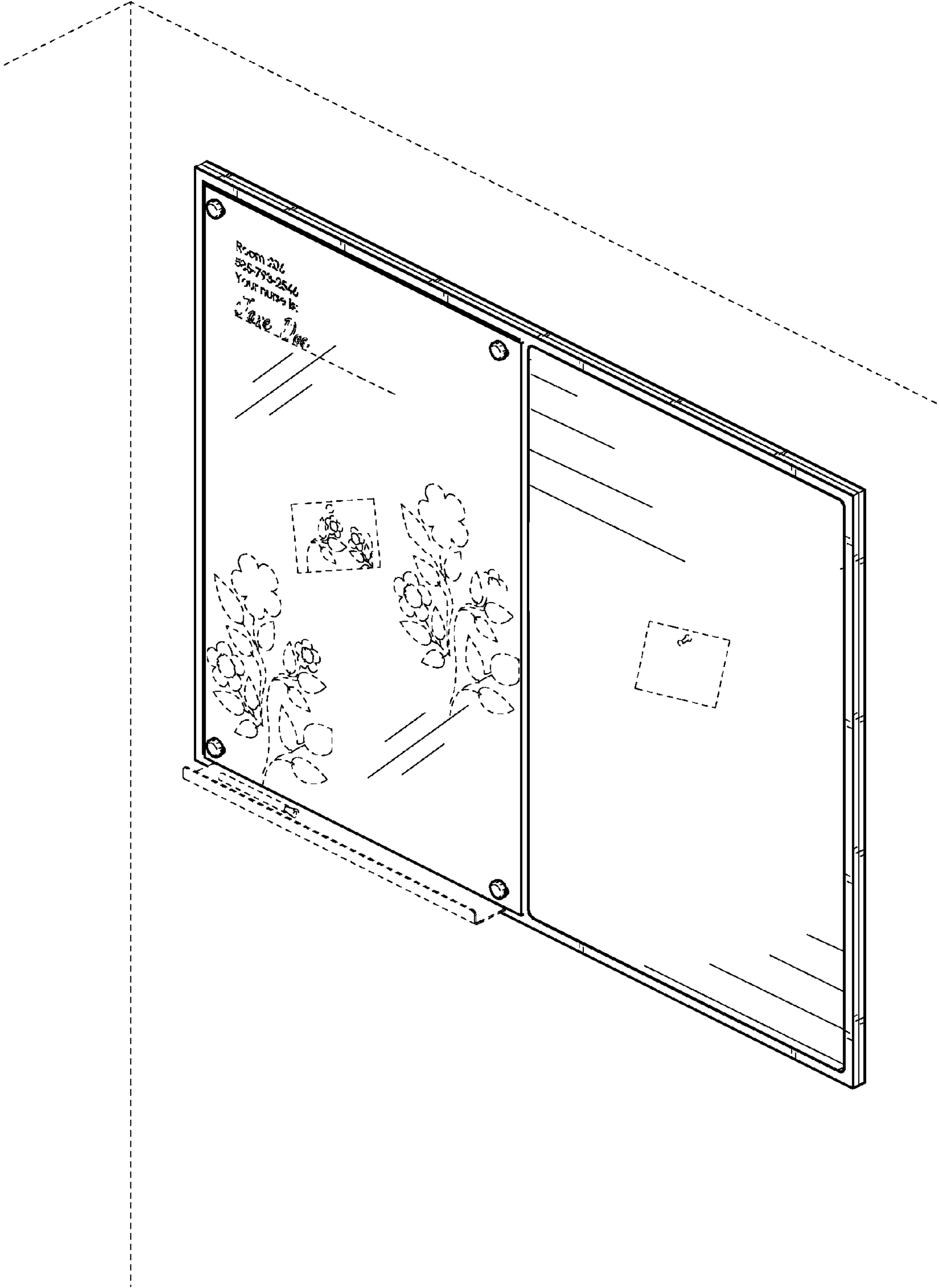
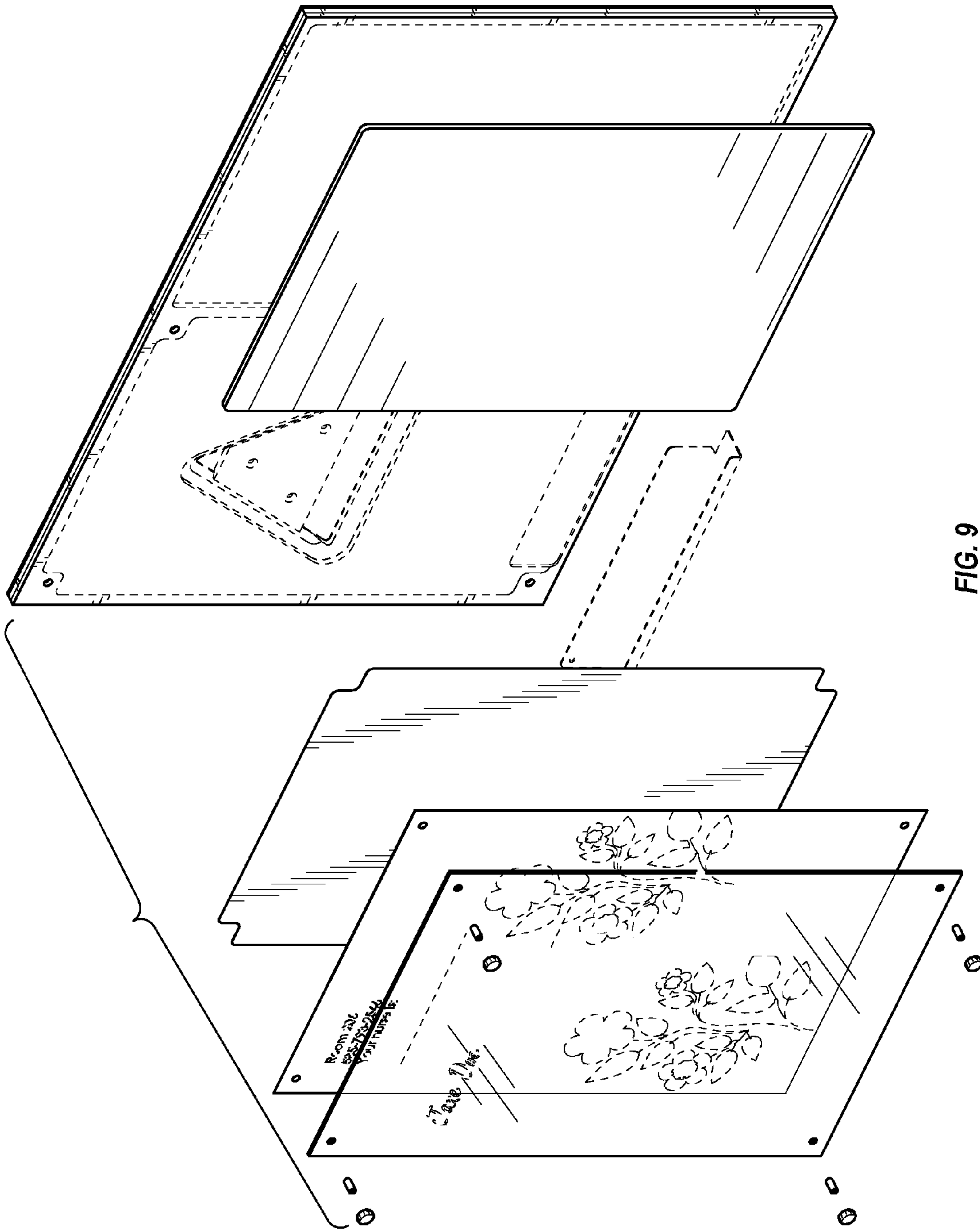


FIG. 8





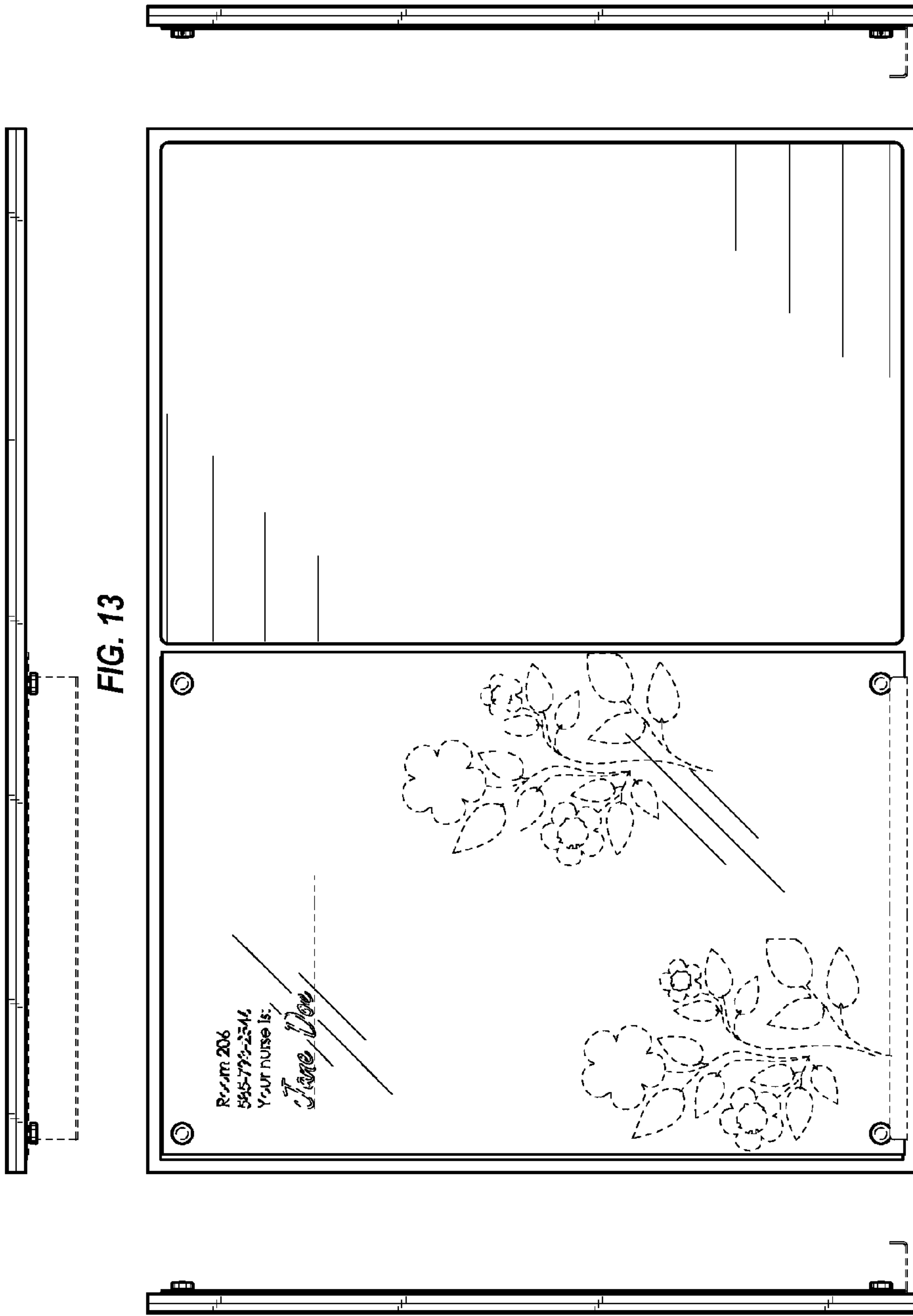


FIG. 13

FIG. 11

FIG. 10

FIG. 14

FIG. 12